



US00D978390S

(12) **United States Design Patent** (10) **Patent No.:** **US D978,390 S**
Wang (45) **Date of Patent:** **** Feb. 14, 2023**

(54) **LED HEADLIGHT BULB**

(71) Applicant: **Guangzhou Yeyan Technology Co., Ltd**, Guangzhou (CN)

(72) Inventor: **Shitao Wang**, Guiyang (CN)

(**) Term: **15 Years**

(21) Appl. No.: **29/747,865**

(22) Filed: **Aug. 26, 2020**

(51) **LOC (14) Cl.** **26-06**

(52) **U.S. Cl.**
USPC **D26/28; D26/2**

(58) **Field of Classification Search**
USPC D26/24, 28, 2-4
CPC F21K 9/23; F21K 9/232; F21K 9/00
See application file for complete search history.

(56) **References Cited**

U.S. PATENT DOCUMENTS

D825,085 S *	8/2018	Jian	D26/28
D845,522 S *	4/2019	Xu	D26/28
D862,743 S *	10/2019	Kang	D26/2
D876,682 S *	2/2020	Yan	D26/28
D884,229 S *	5/2020	Huang	D26/28
D889,000 S *	6/2020	Zheng	D26/28
D894,449 S *	8/2020	Wang	D26/28
D895,855 S *	9/2020	Huang	D26/2

FOREIGN PATENT DOCUMENTS

CN	305620713	*	2/2020
JP	D1554442	*	7/2016
WO	WOD086941-001	*	1/2016
WO	WOD201831-001	*	7/2019

OTHER PUBLICATIONS

SNGL Projector-Specific Version 9006 LED Headlight Bulbs, available in Amazon.com, date first available Sep. 23, 2018 [online], [site

visited May 27, 2022], Available from the internet URL: <https://www.amazon.com/SNGL-Projector-Specific-Version-Headlight-Conversion/dp/B07HLW88XL> (Year: 2018).*
Trueland 9006 LED Headlight Bulb, available in Amazon.com, date first available Sep. 13, 2017 [online], [site visited May 27, 2022], Available from the internet URL: https://www.amazon.com/dp/B079GW97QT/ref=cm_sw_em_r_mt_dp_A43T4AH76NY2NDGT8MCD?_encoding=UTF8&psc=1 (Year: 2017).*
Fahren H11/H9/H8 LED Headlight Bulbs, available in Amazon.com, date first available Feb. 13, 2019 [online], [site visited May 27, 2022], Available from the internet URL: https://www.amazon.com/dp/B07NPMV1H5/ref=cm_sw_em_r_mt_dp_PFW9G0HR65XZTHJ3GTJY (Year: 2019).*

* cited by examiner

Primary Examiner — Brett Miller

Assistant Examiner — Jasmine L. Comedy

(74) *Attorney, Agent, or Firm* — Rumit Ranjit Kanakia

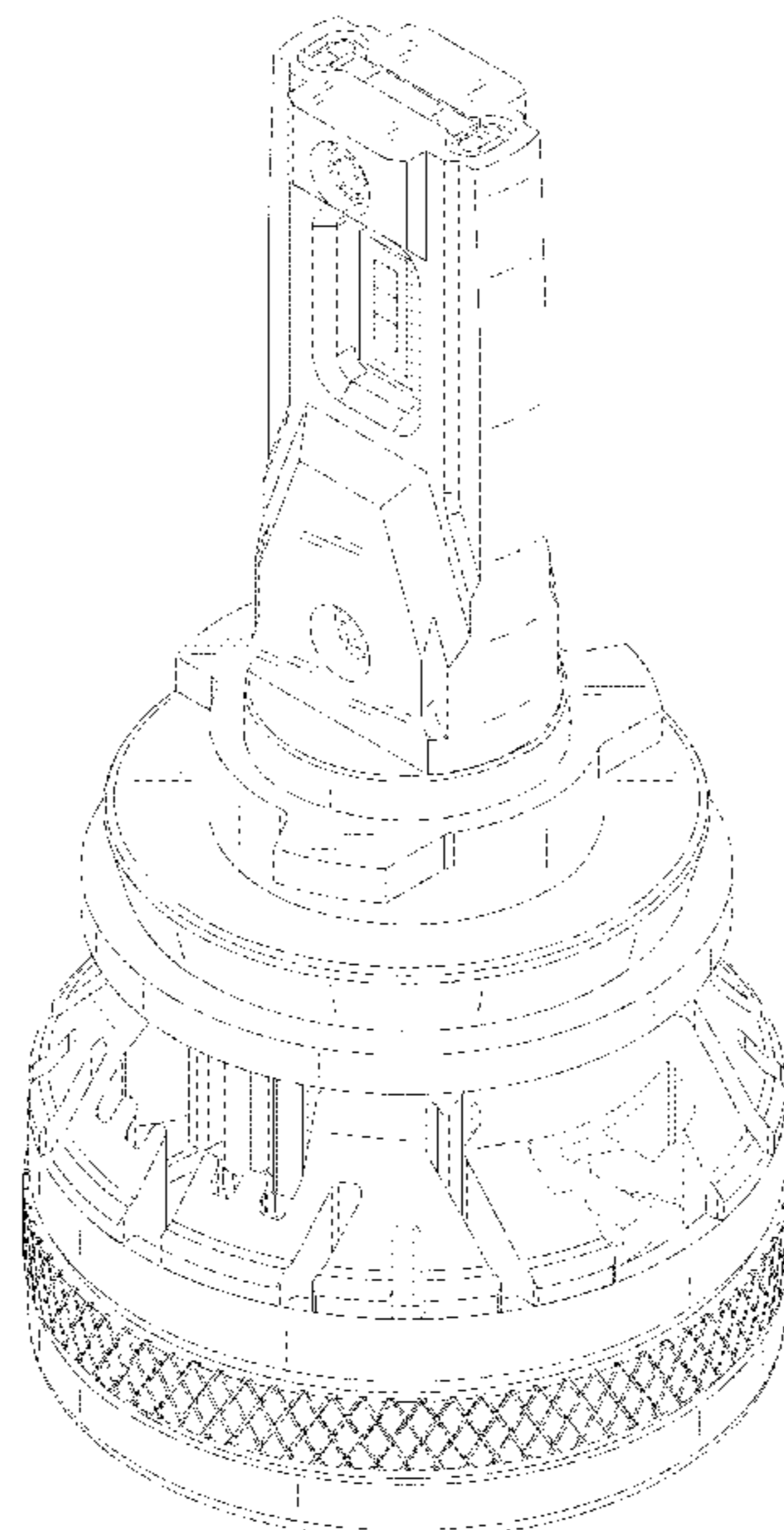
(57) **CLAIM**

The ornamental design for a LED headlight bulb, as shown and described.

DESCRIPTION

FIG. 1 is a perspective view of a LED headlight bulb showing my new design;
FIG. 2 is a front view thereof;
FIG. 3 is a back view thereof;
FIG. 4 is a right-side view thereof;
FIG. 5 is a left-side view thereof;
FIG. 6 is a top view thereof; and,
FIG. 7 is a bottom view thereof.
The broken lines in the drawings depict portions of the LED headlight bulb that form no part of the claim.

1 Claim, 7 Drawing Sheets



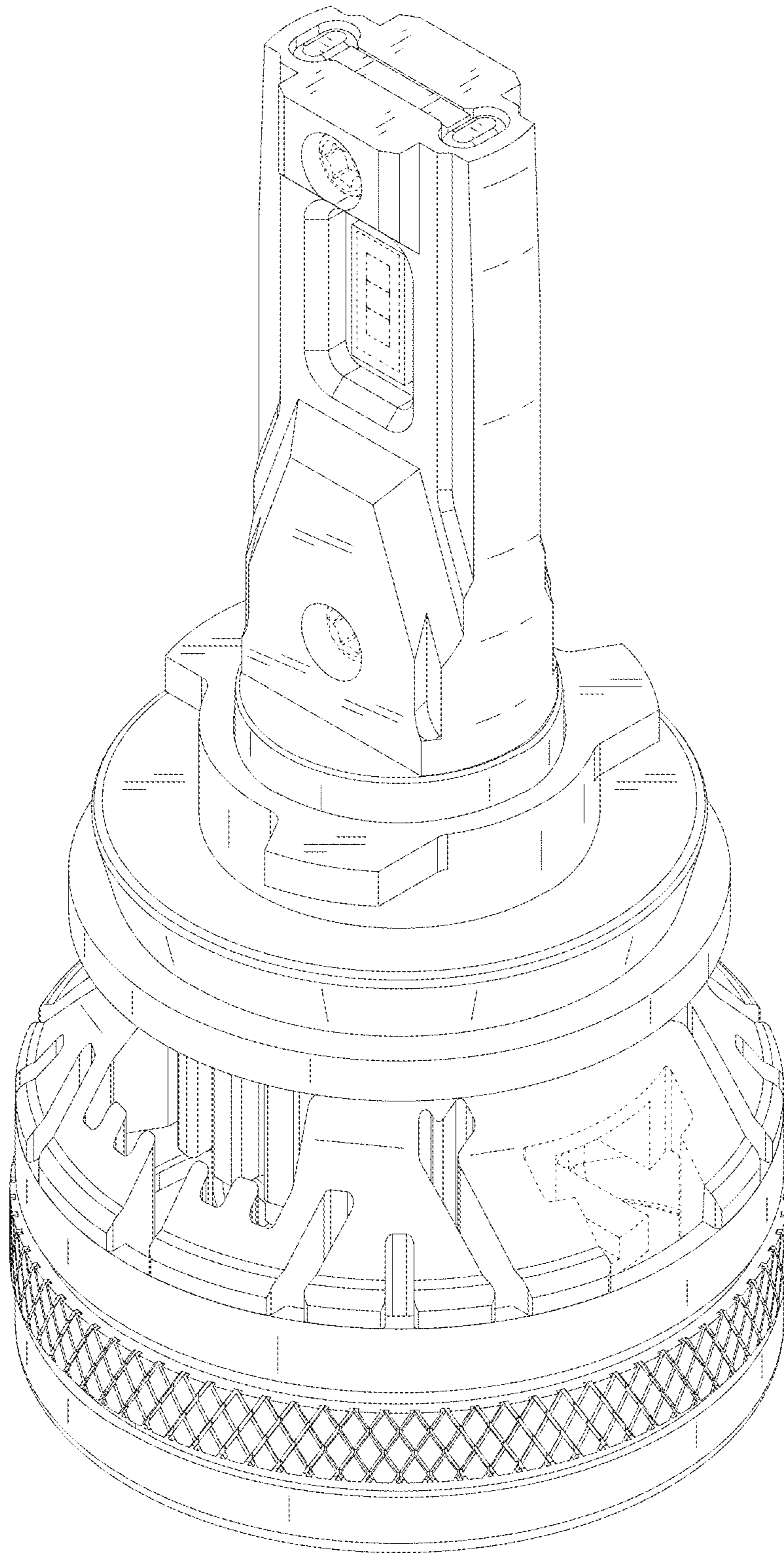


FIG. 1

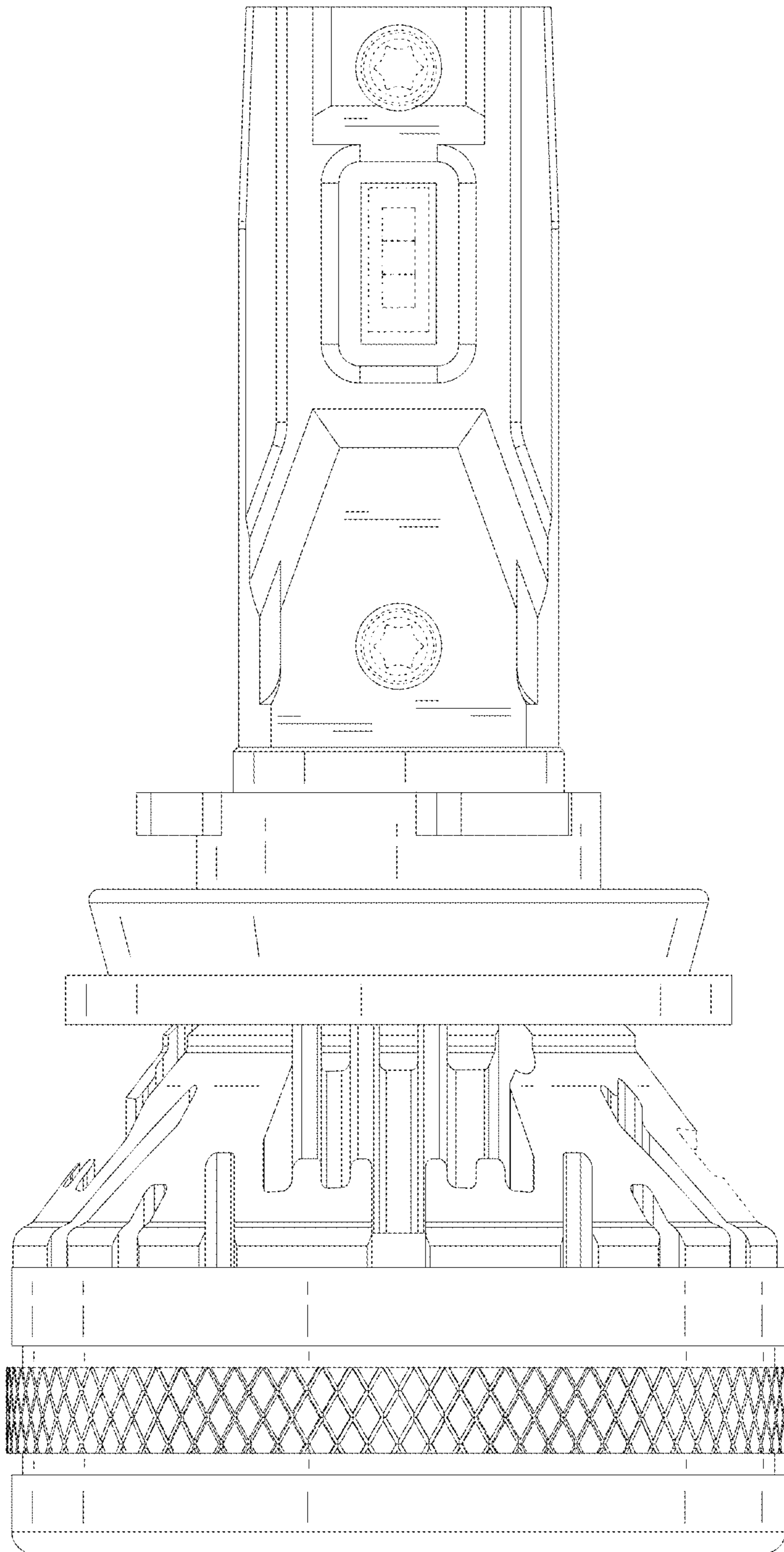


FIG. 2

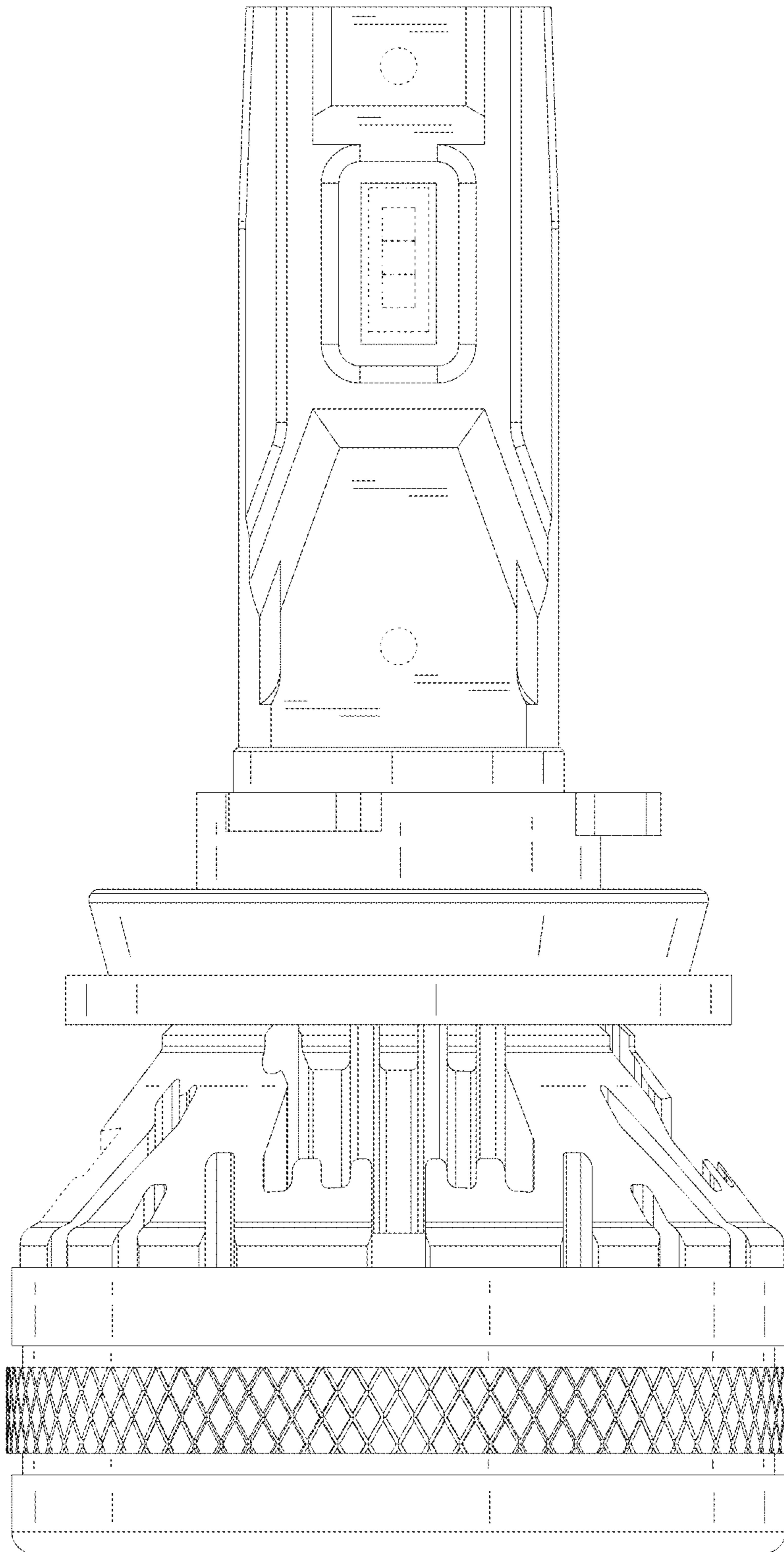


FIG. 3

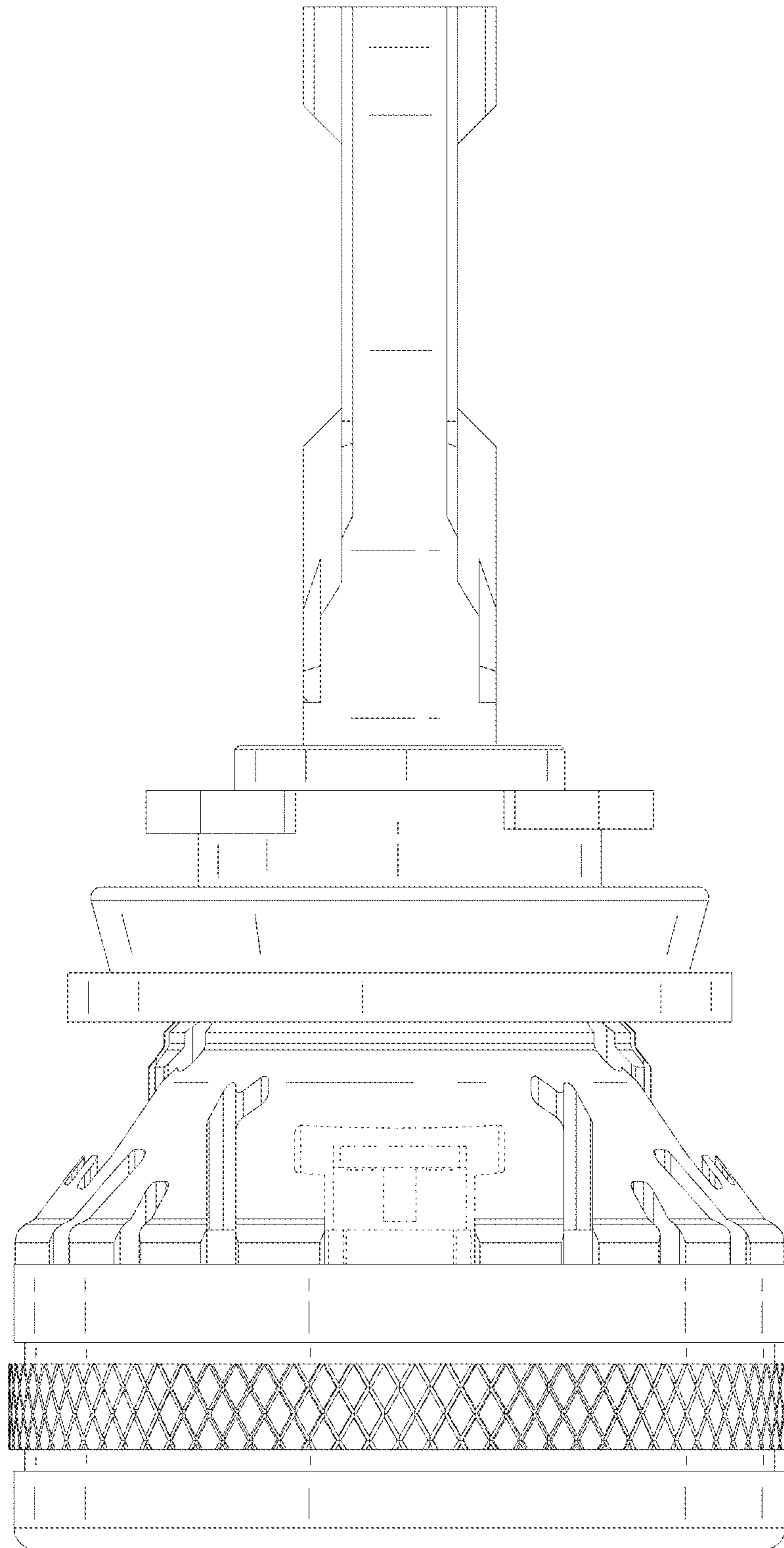


FIG. 4

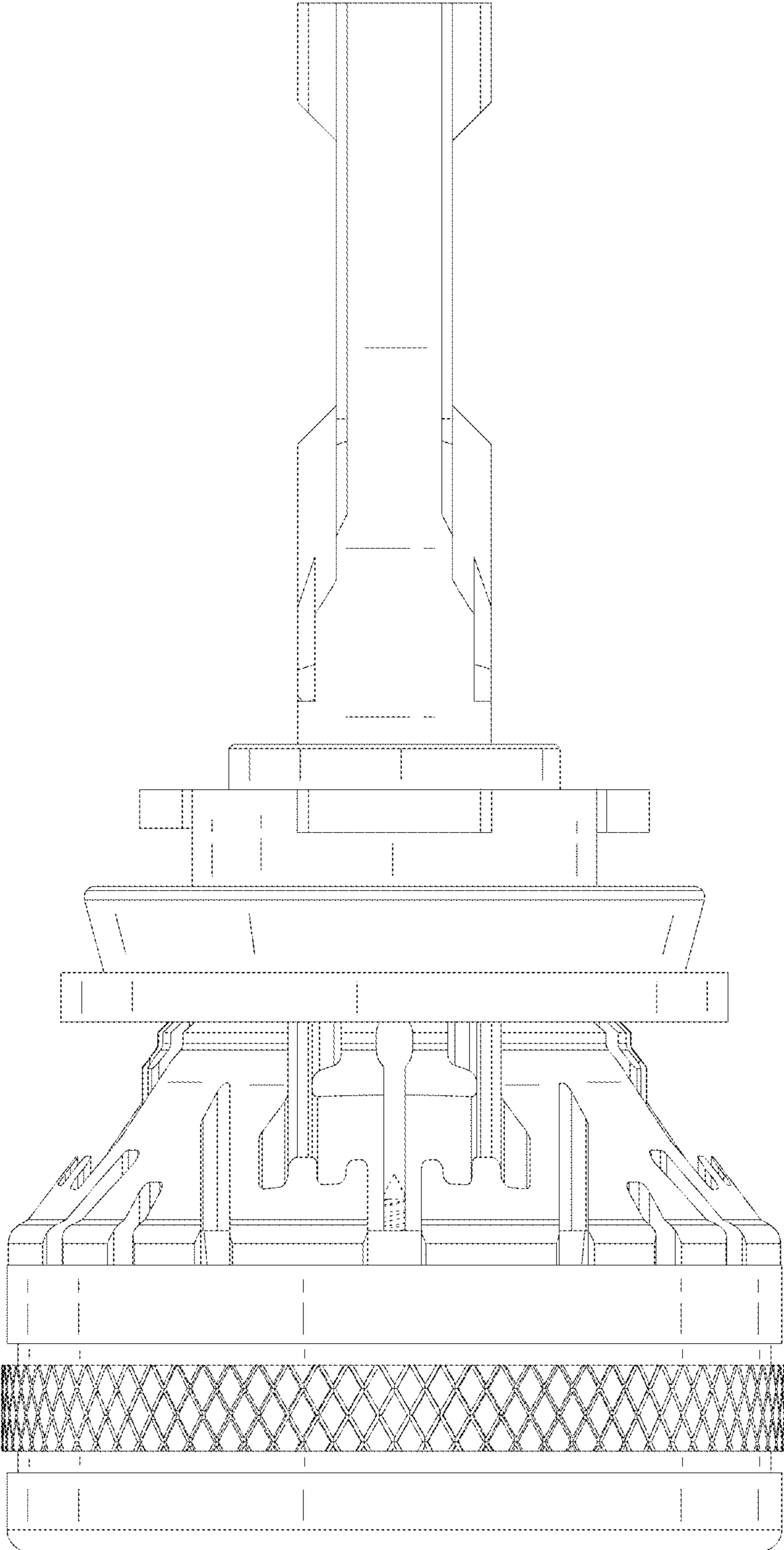


FIG. 5

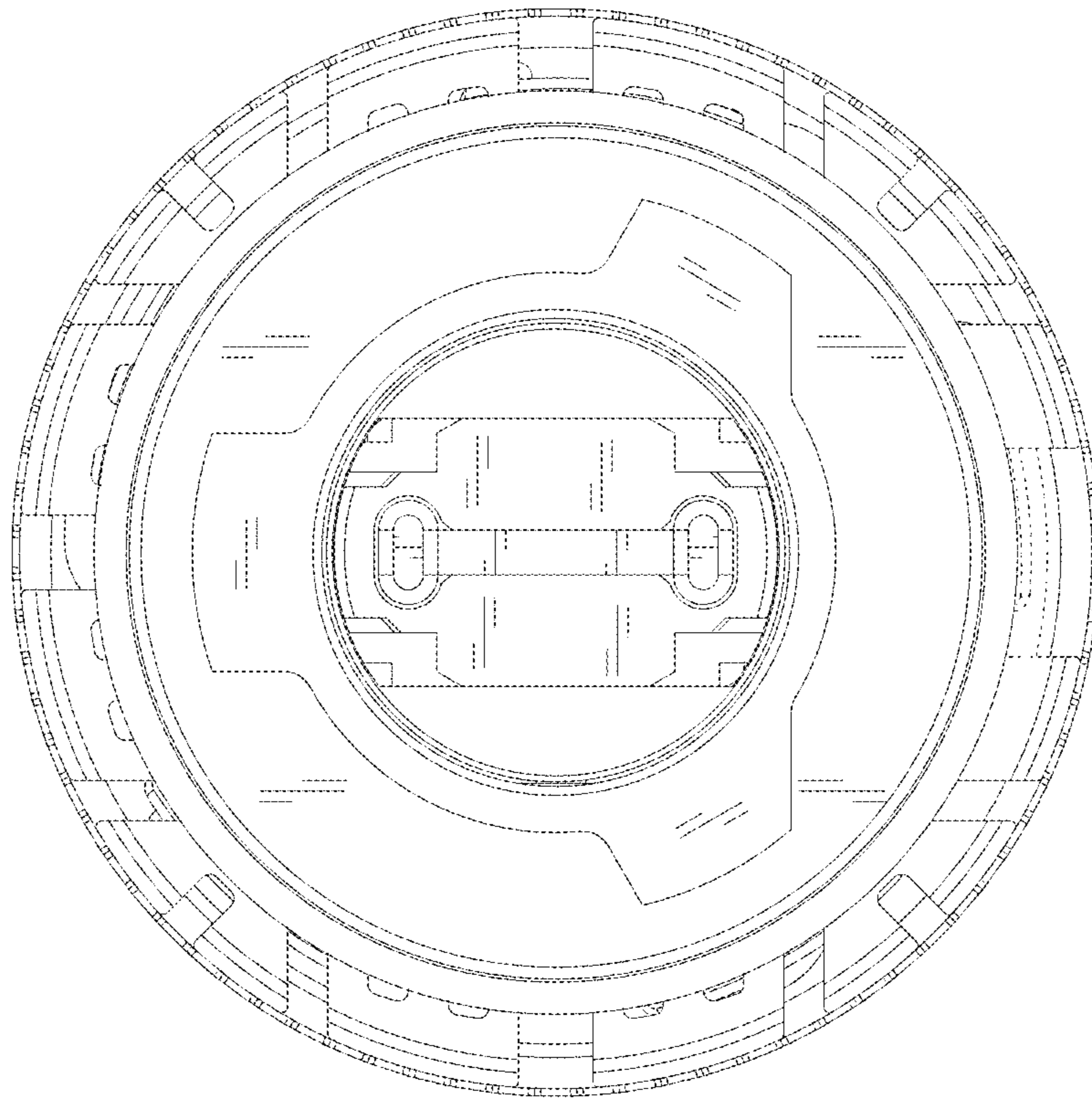


FIG. 6

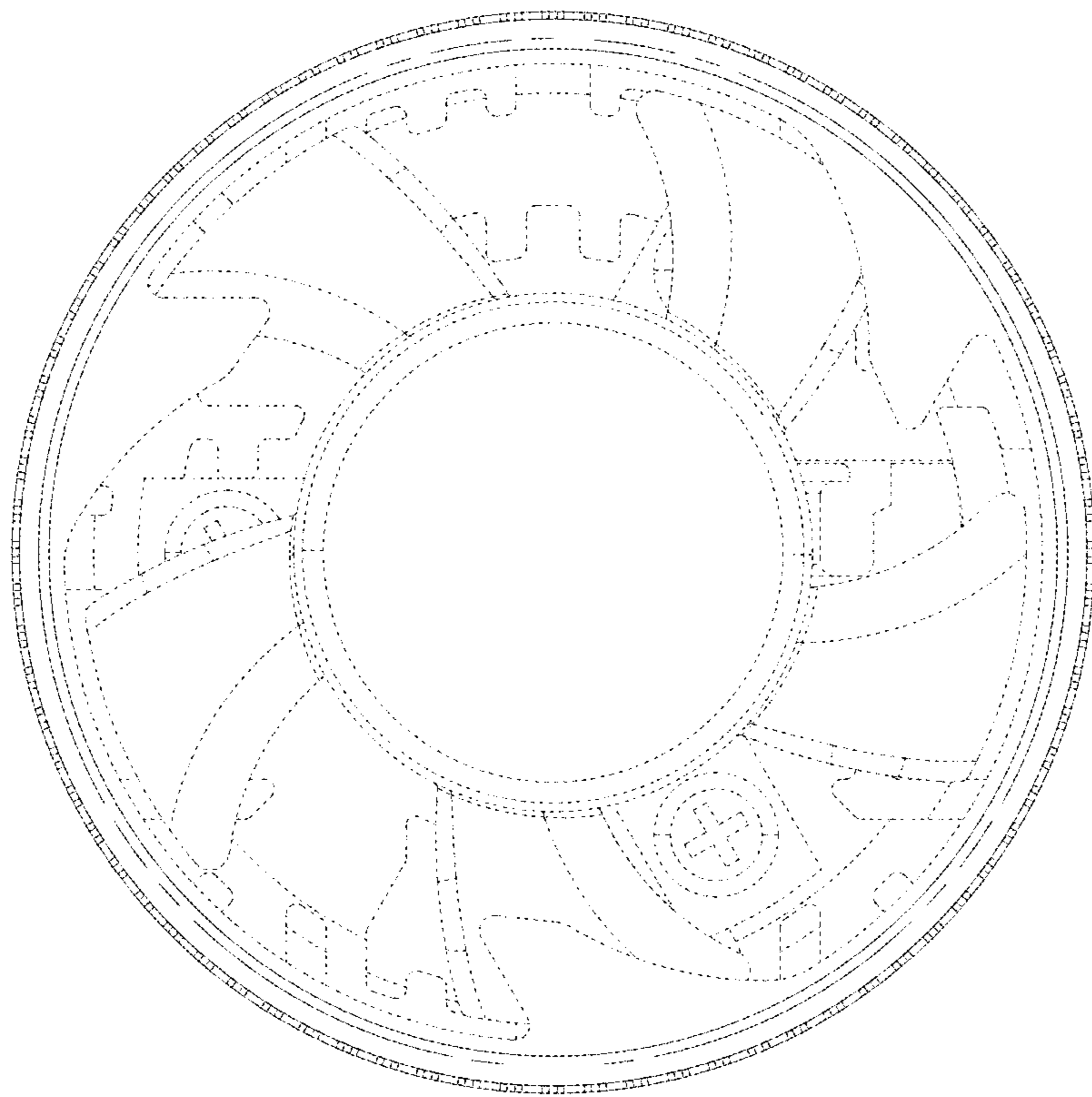


FIG. 7