



US00D978389S

(12) **United States Design Patent** (10) **Patent No.:** **US D978,389 S**
Huang (45) **Date of Patent:** **** Feb. 14, 2023**

(54) **LED HEADLIGHT BULB**
(71) Applicant: **Xiaoming Huang**, Guangxi (CN)
(72) Inventor: **Xiaoming Huang**, Guangxi (CN)
(**) Term: **15 Years**
(21) Appl. No.: **29/739,912**
(22) Filed: **Jun. 30, 2020**
(51) **LOC (14) Cl.** **26-06**
(52) **U.S. Cl.**
USPC **D26/28; D26/2**
(58) **Field of Classification Search**
USPC D26/24, 28, 2-4
CPC F21K 9/23; F21K 9/232; F21K 9/00
See application file for complete search history.

(56) **References Cited**
U.S. PATENT DOCUMENTS
D347,901 S * 6/1994 Yamamoto D26/2
D422,098 S * 3/2000 Kumade D26/2
D689,219 S * 9/2013 Zhang D26/2
D865,238 S * 10/2019 Wu D26/28
D867,632 S * 11/2019 Wu D26/28
D895,166 S * 9/2020 Mo D26/2
D936,867 S * 11/2021 Xu D26/26

FOREIGN PATENT DOCUMENTS
CN 305072891 * 3/2019
CN 3052623 * 7/2019
EM 006818134-0001 * 11/2019

OTHER PUBLICATIONS
2xH7 LED Headlight Bulbs 35W, available in Amazon.com, date first available Oct. 14, 2019 [online], [site visited May 27, 2022], Available from the internet URL: <https://www.amazon.com/Headlight-Bulbs-Extremely-Bright-4000LM/dp/B07Z392NL3> (Year: 2019).*

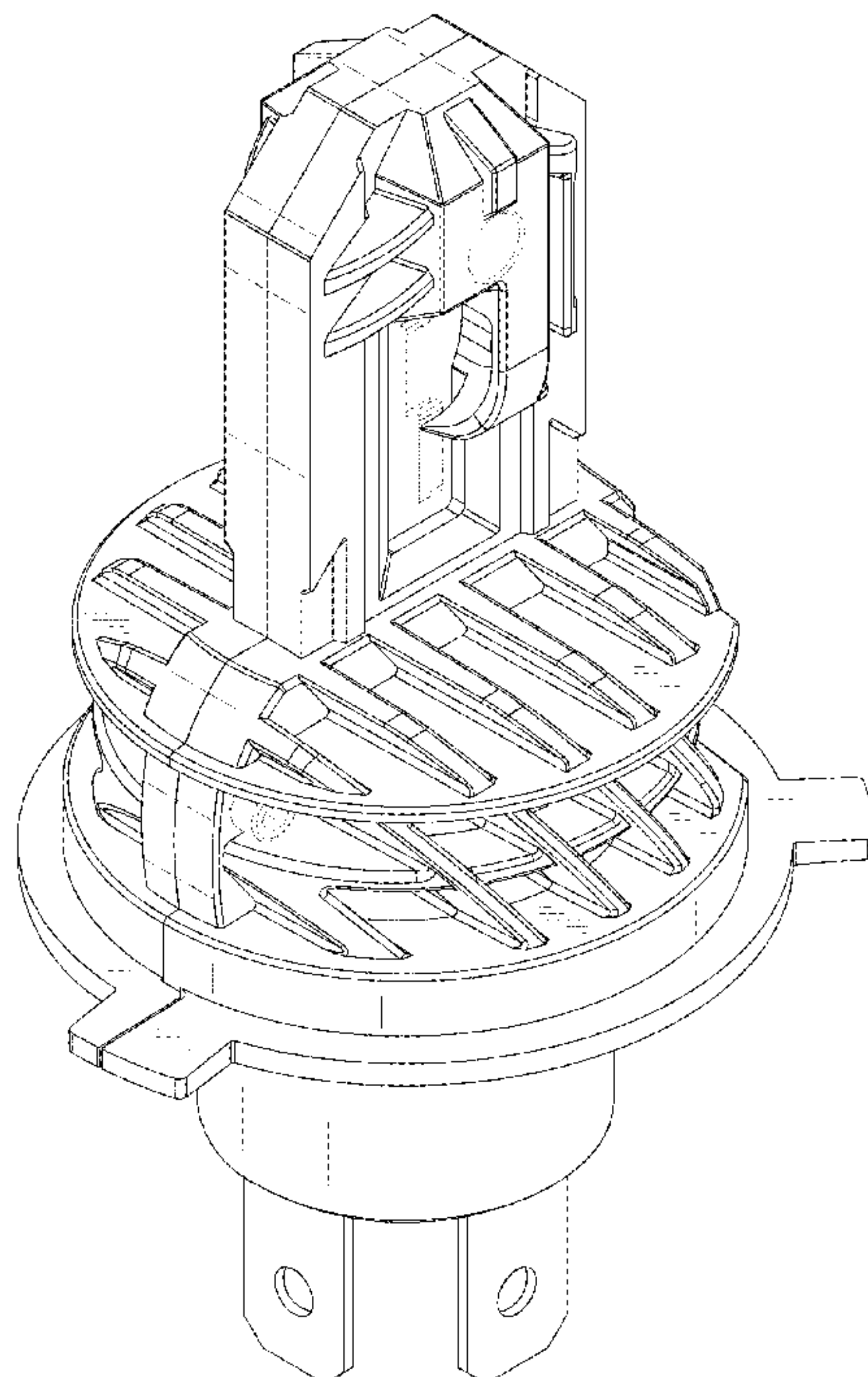
Au-kee H7 LED Headlight Bulb with Fan, available in Amazon.com, date first available Jul. 20, 2019 [online], [site visited May 27, 2022], Available from the internet URL: https://www.amazon.com/dp/B07KVZ6Q7Y/ref=cm_sw_em_r_mt_dp_8VE73FHVH576K6JFHA2N?_encoding=UTF8&psc=1 (Year: 2019).*

* cited by examiner
Primary Examiner — Brett Miller
Assistant Examiner — Jasmine L. Comedy
(74) *Attorney, Agent, or Firm* — Rumit Ranjit Kanakia

(57) **CLAIM**
I claim the ornamental design for a LED headlight bulb, as shown and described.

DESCRIPTION
FIG. 1 is a perspective view of a LED headlight bulb showing my new design;
FIG. 2 is a front view thereof;
FIG. 3 is a back view thereof;
FIG. 4 is a right-side view thereof;
FIG. 5 is a left-side view thereof;
FIG. 6 is a top view thereof; and,
FIG. 7 is a bottom view thereof.
The broken lines are for the purpose of illustrating portions of the article that form no part of the claim.

1 Claim, 7 Drawing Sheets



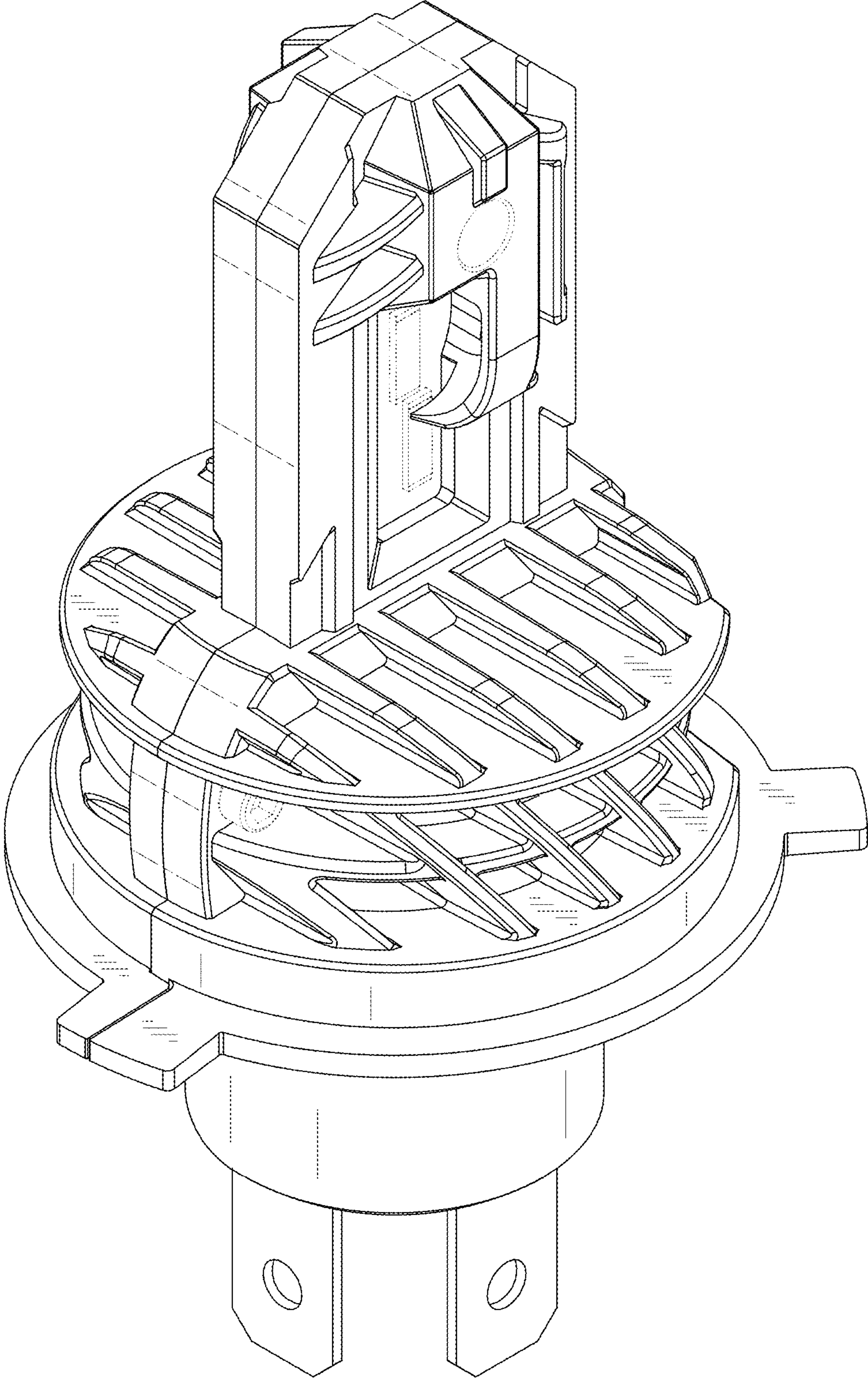


FIG. 1

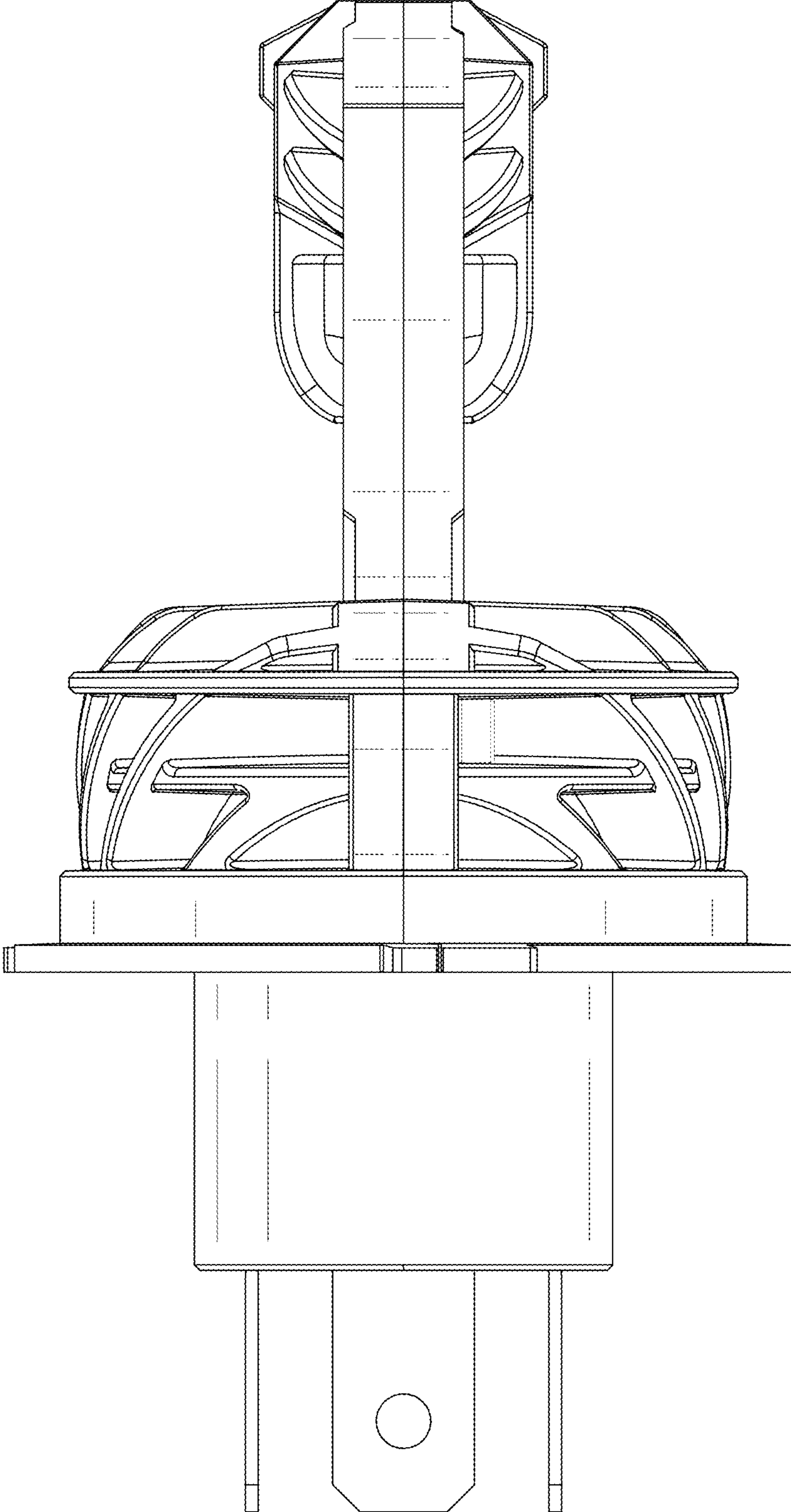


FIG. 2

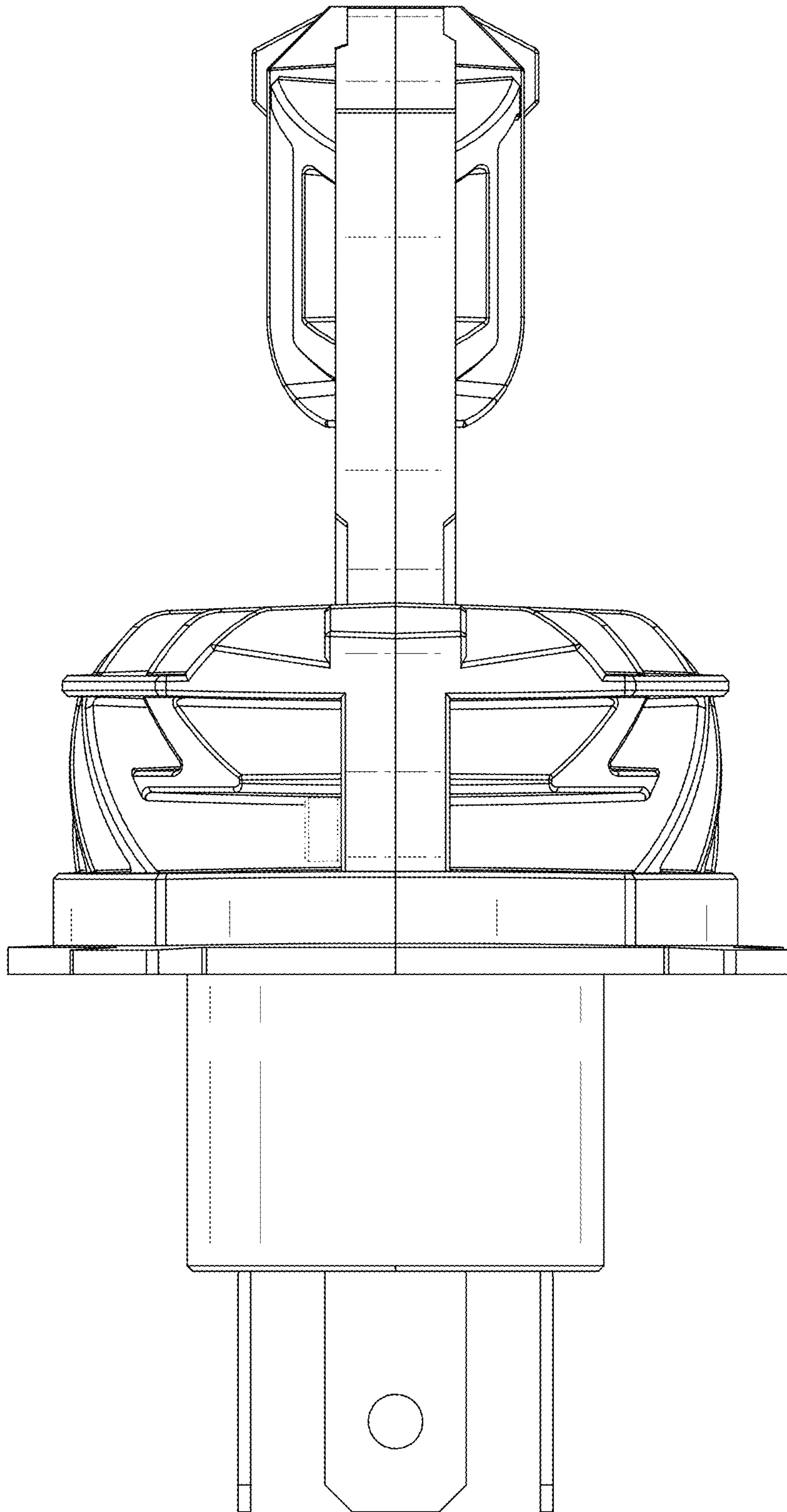


FIG. 3

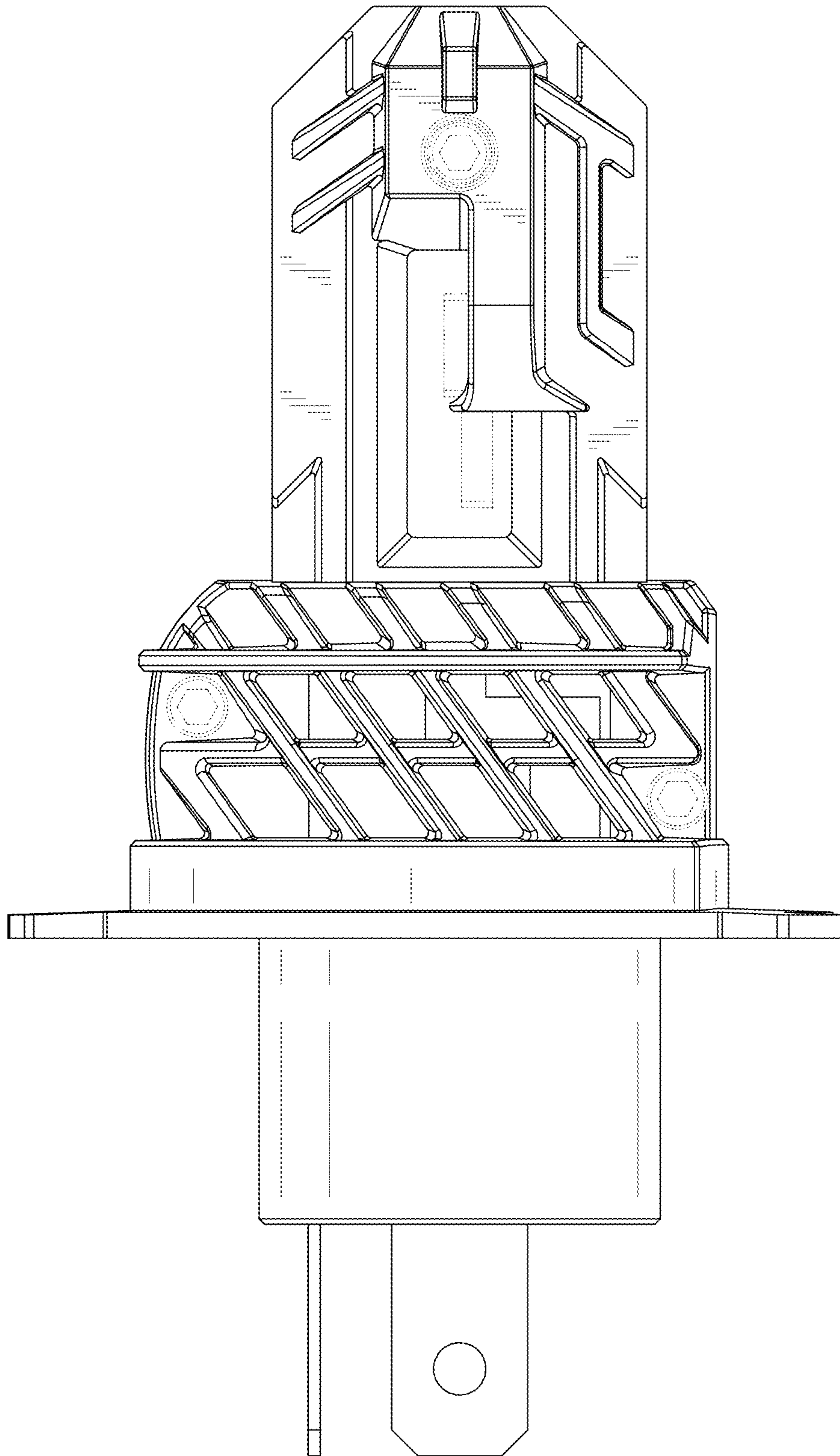


FIG. 4

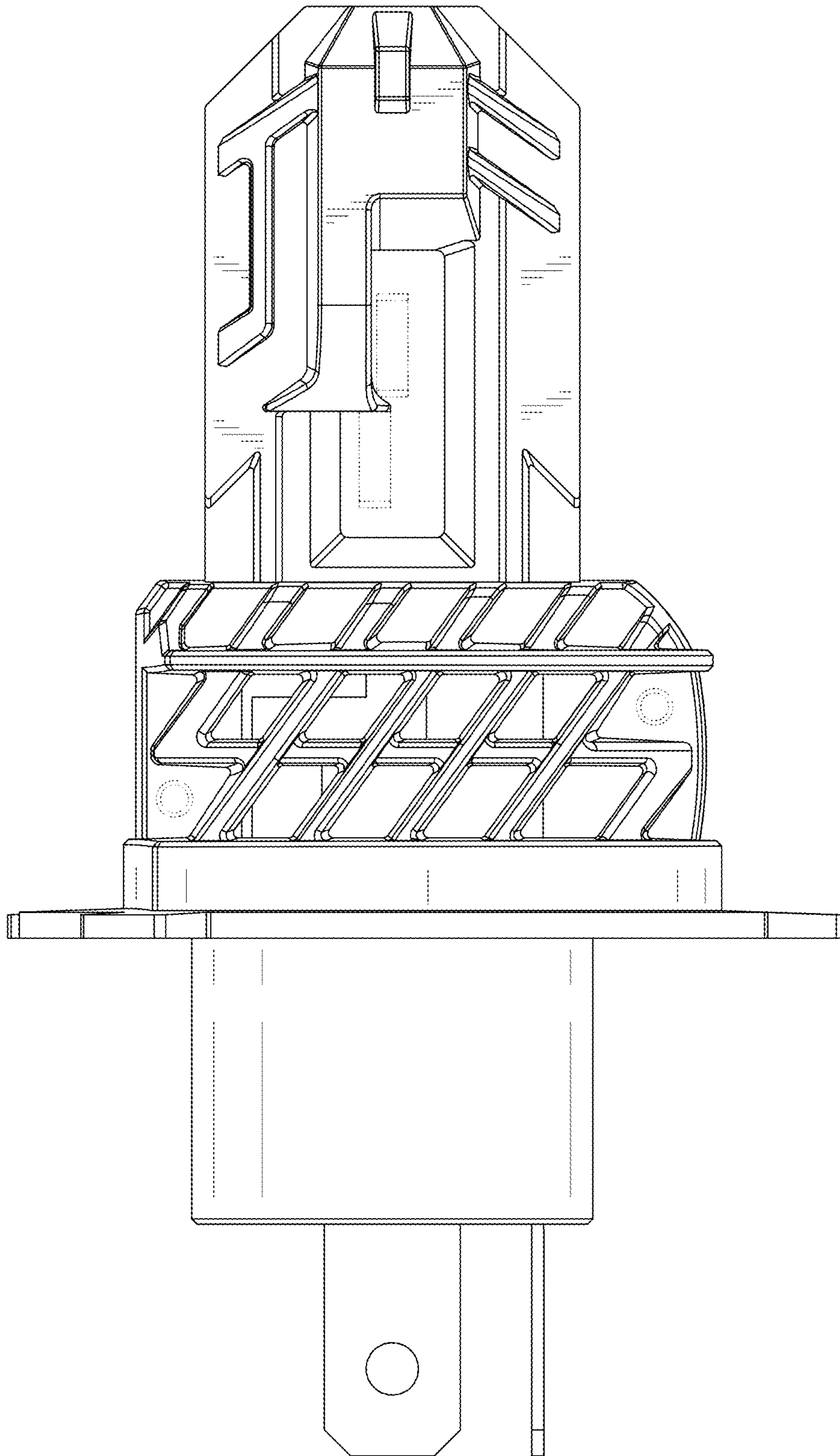


FIG. 5

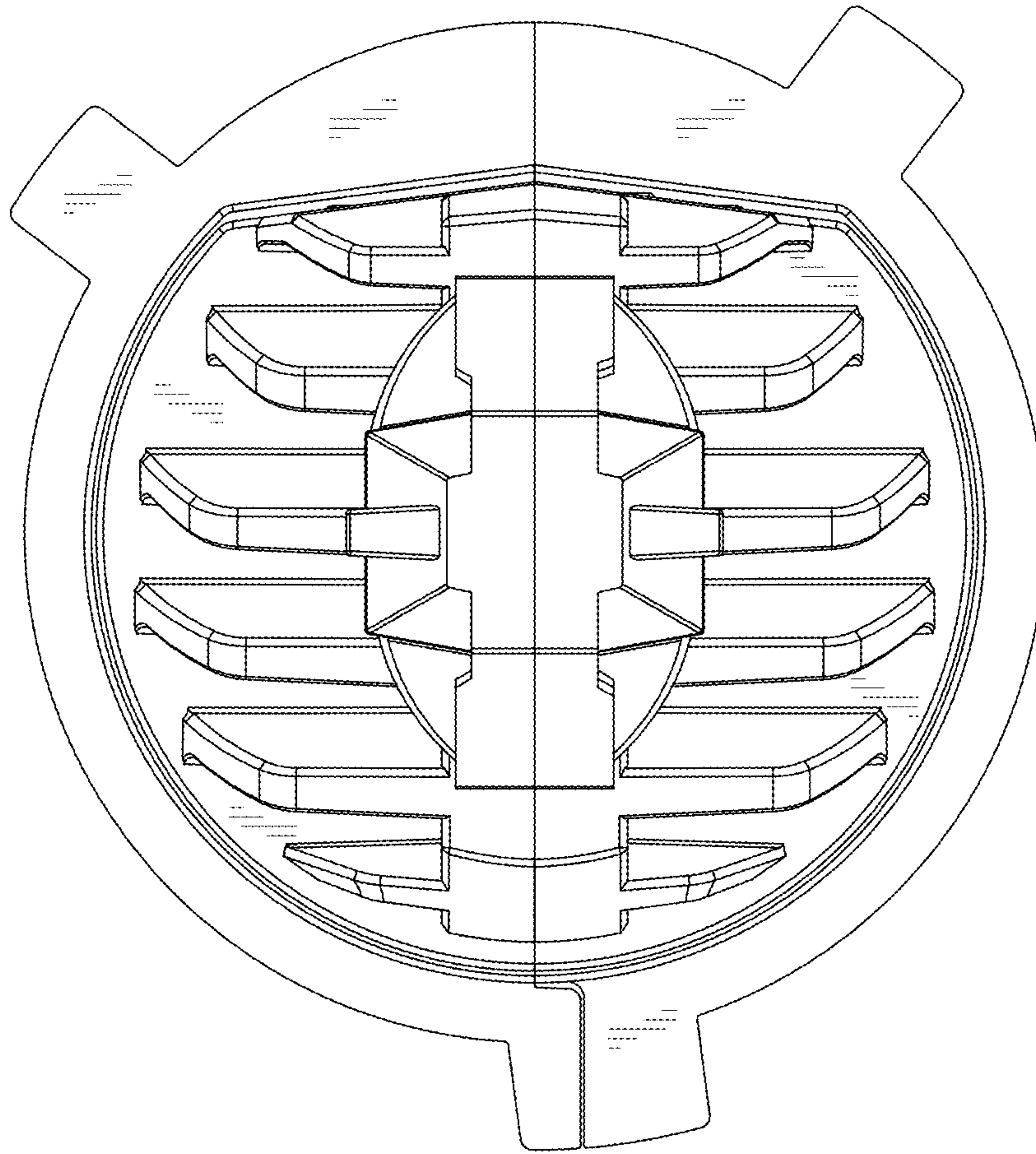


FIG. 6

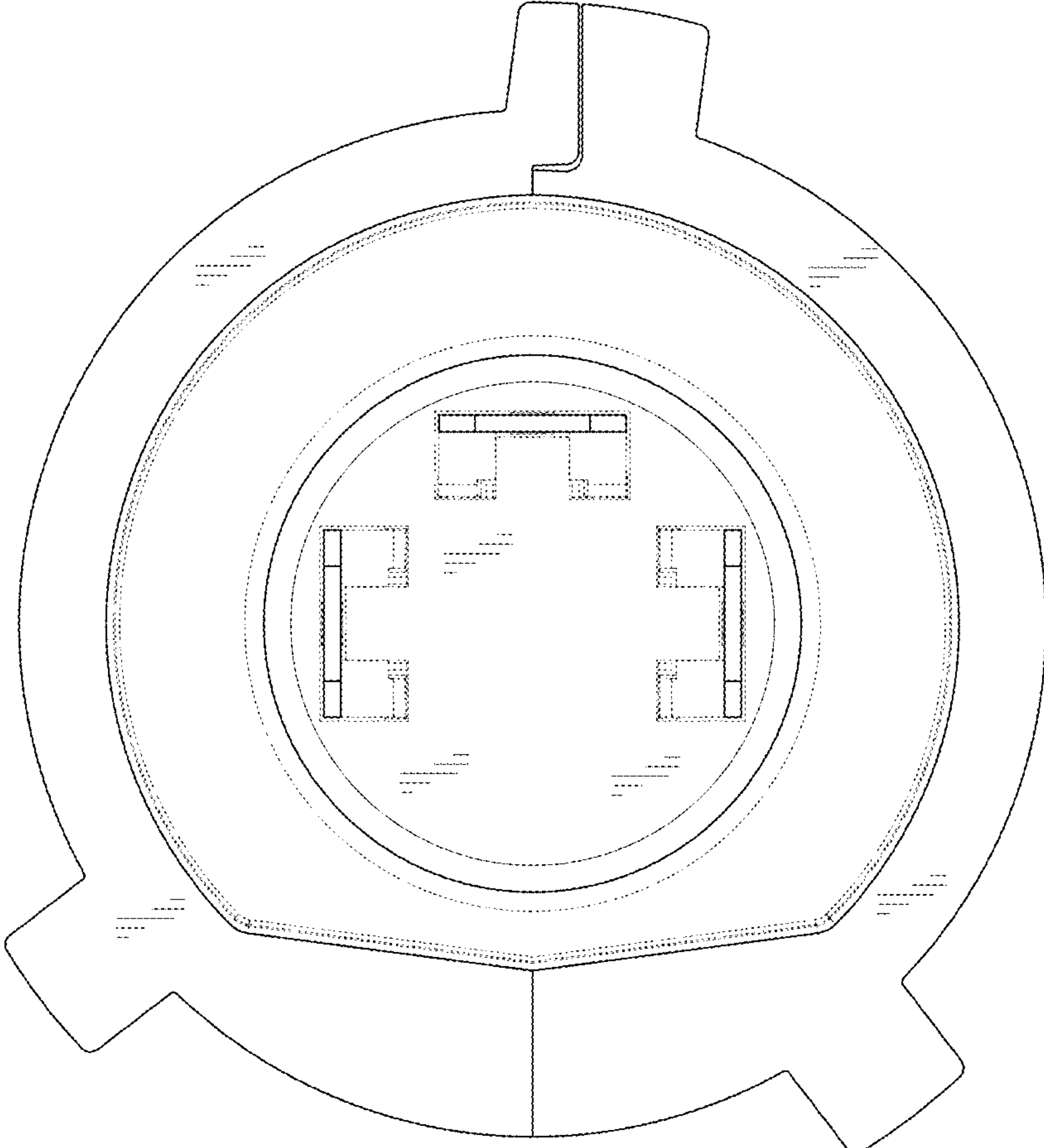


FIG. 7