



US00D978388S

(12) **United States Design Patent** (10) **Patent No.:** **US D978,388 S**
Huang (45) **Date of Patent:** **** Feb. 14, 2023**

(54) **LED HEADLIGHT BULB**

FOREIGN PATENT DOCUMENTS

(71) Applicant: **Xiaoming Huang**, Guangxi (CN)

CN 305804980 * 5/2020
WO WOD086941-001 * 1/2016

(72) Inventor: **Xiaoming Huang**, Guangxi (CN)

OTHER PUBLICATIONS

(**) Term: **15 Years**

Auxito H11 LED Headlight Bulbs, available in Amazon.com, date first available Jul. 27, 2019 [online], [site visited date], Available from the internet URL: https://www.amazon.com/dp/B07TQLGGBR/ref=cm_sw_em_r_mt_dp_dl_B5PRXVVHHNXM1FZ2S62Y (Year: 2019).*

(21) Appl. No.: **29/739,910**

(22) Filed: **Jun. 30, 2020**

(51) **LOC (14) Cl.** **26-06**

(52) **U.S. Cl.**
USPC **D26/28; D26/2**

(58) **Field of Classification Search**
USPC D26/24, 28, 2-4
CPC F21K 9/23; F21K 9/232; F21K 9/00; F21S
41/47

See application file for complete search history.

* cited by examiner

Primary Examiner — Brett Miller

Assistant Examiner — Jasmine L. Comedy

(74) *Attorney, Agent, or Firm* — Rumit Ranjit Kanakia

(57) **CLAIM**

I claim the ornamental design for a LED headlight bulb, as shown and described.

(56) **References Cited**

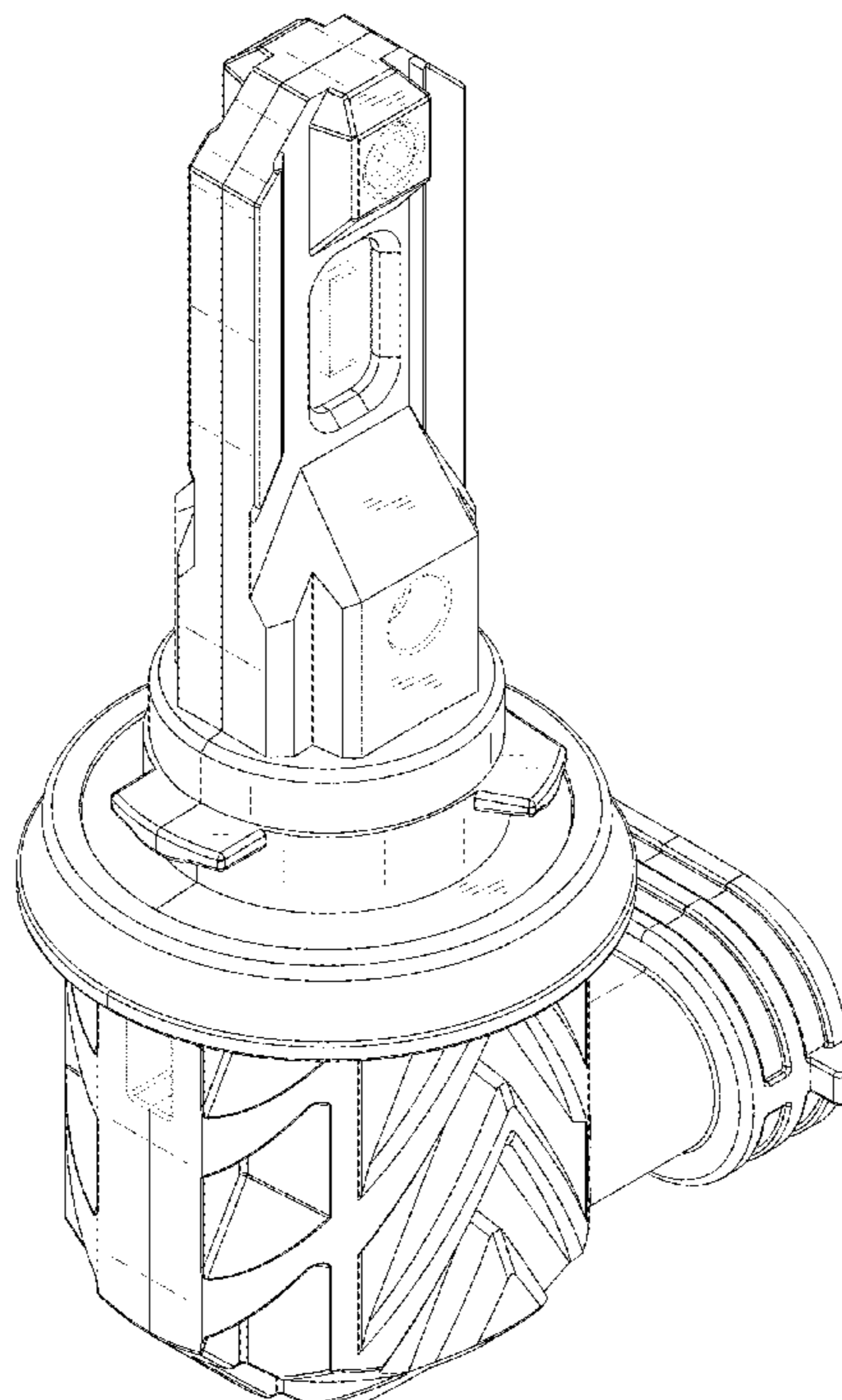
DESCRIPTION

U.S. PATENT DOCUMENTS

D720,483 S *	12/2014	Saddig	D26/28
D789,577 S *	6/2017	Xu	D26/28
D808,553 S *	1/2018	Shengjin	D26/28
D841,205 S *	2/2019	Dai	D26/28
D846,775 S *	4/2019	Yan	D26/28
D861,936 S *	10/2019	Li	D26/28
D869,031 S *	12/2019	Zhang	D26/28
D887,042 S *	6/2020	Jiang	D26/28
D892,370 S *	8/2020	Yan	D26/28
D899,639 S *	10/2020	Li	D26/24
D899,640 S *	10/2020	Li	D26/24
D903,169 S *	11/2020	Xu	D26/28
2019/0360681 A1 *	11/2019	Zhou	F21K 9/00

FIG. 1 is a perspective view of a LED headlight bulb showing my new design;
FIG. 2 is a front view thereof;
FIG. 3 is a back view thereof;
FIG. 4 is a right-side view thereof;
FIG. 5 is a left-side view thereof;
FIG. 6 is a top view thereof; and,
FIG. 7 is a bottom view thereof.
The broken lines are for the purpose of illustrating portions of the article that form no part of the claim.

1 Claim, 7 Drawing Sheets



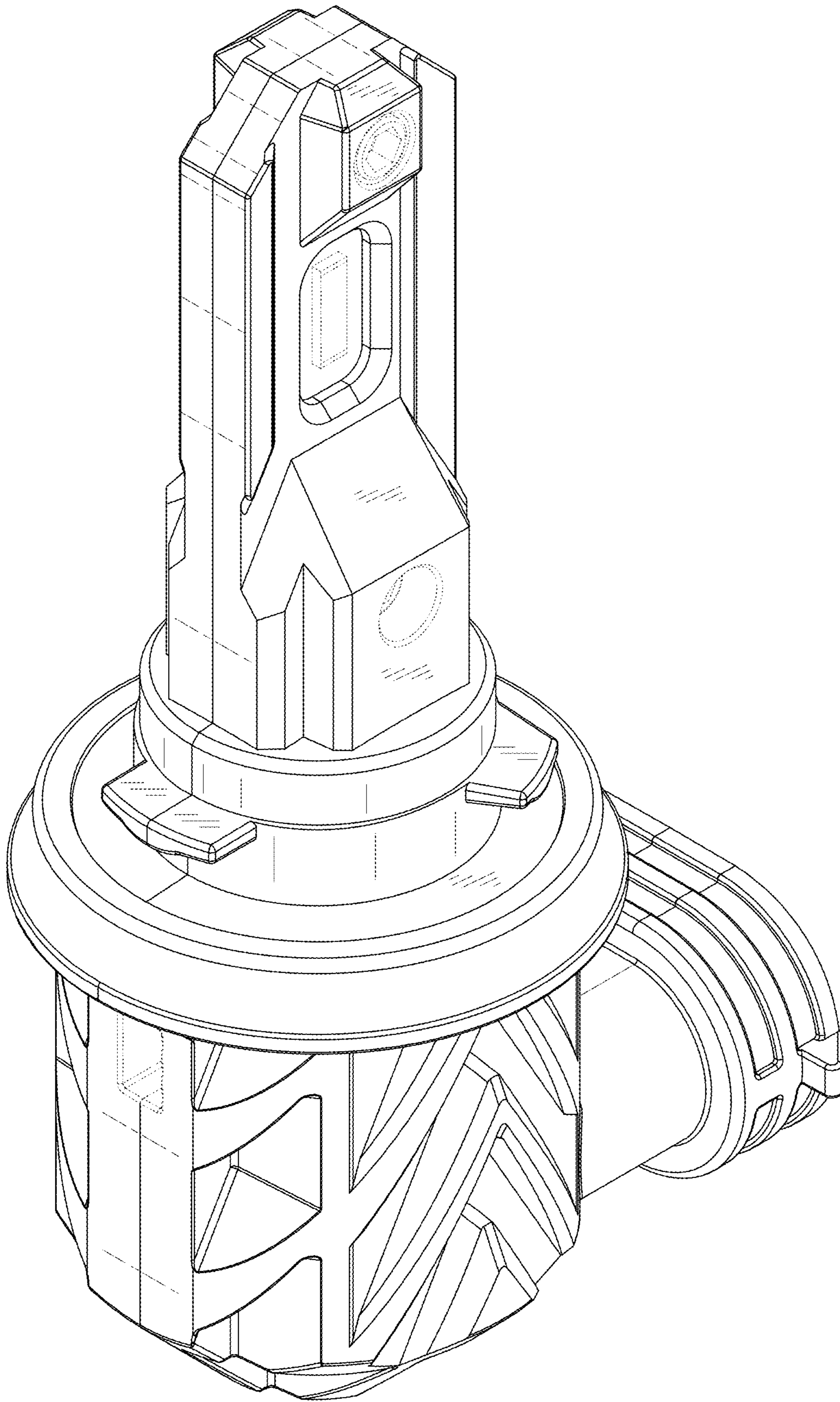


FIG. 1

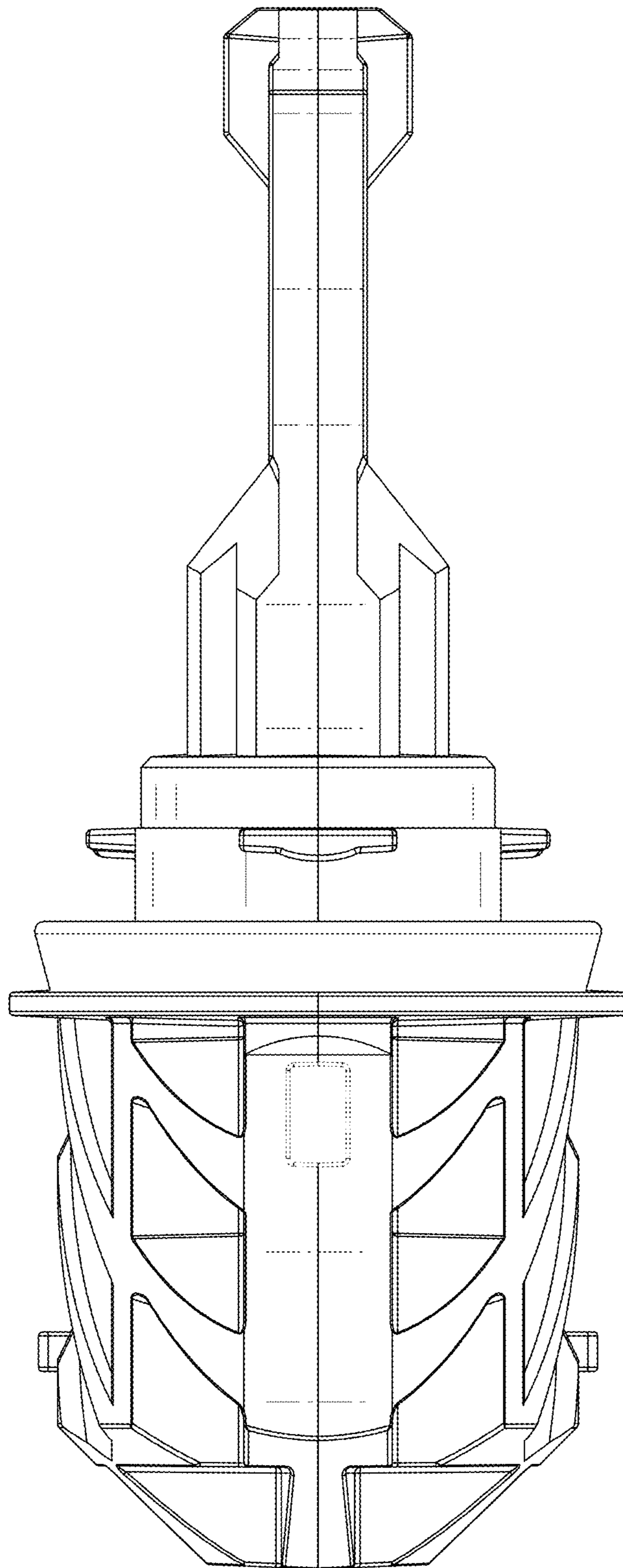


FIG. 2

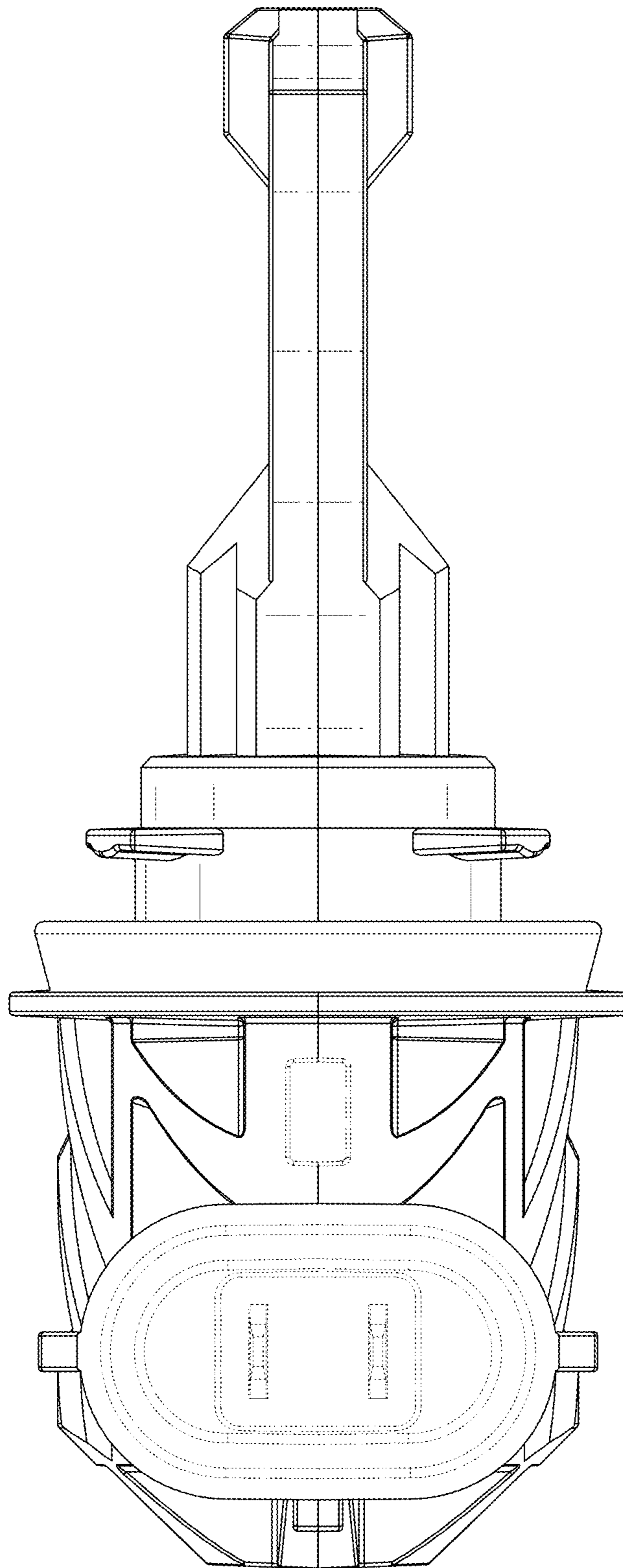


FIG. 3

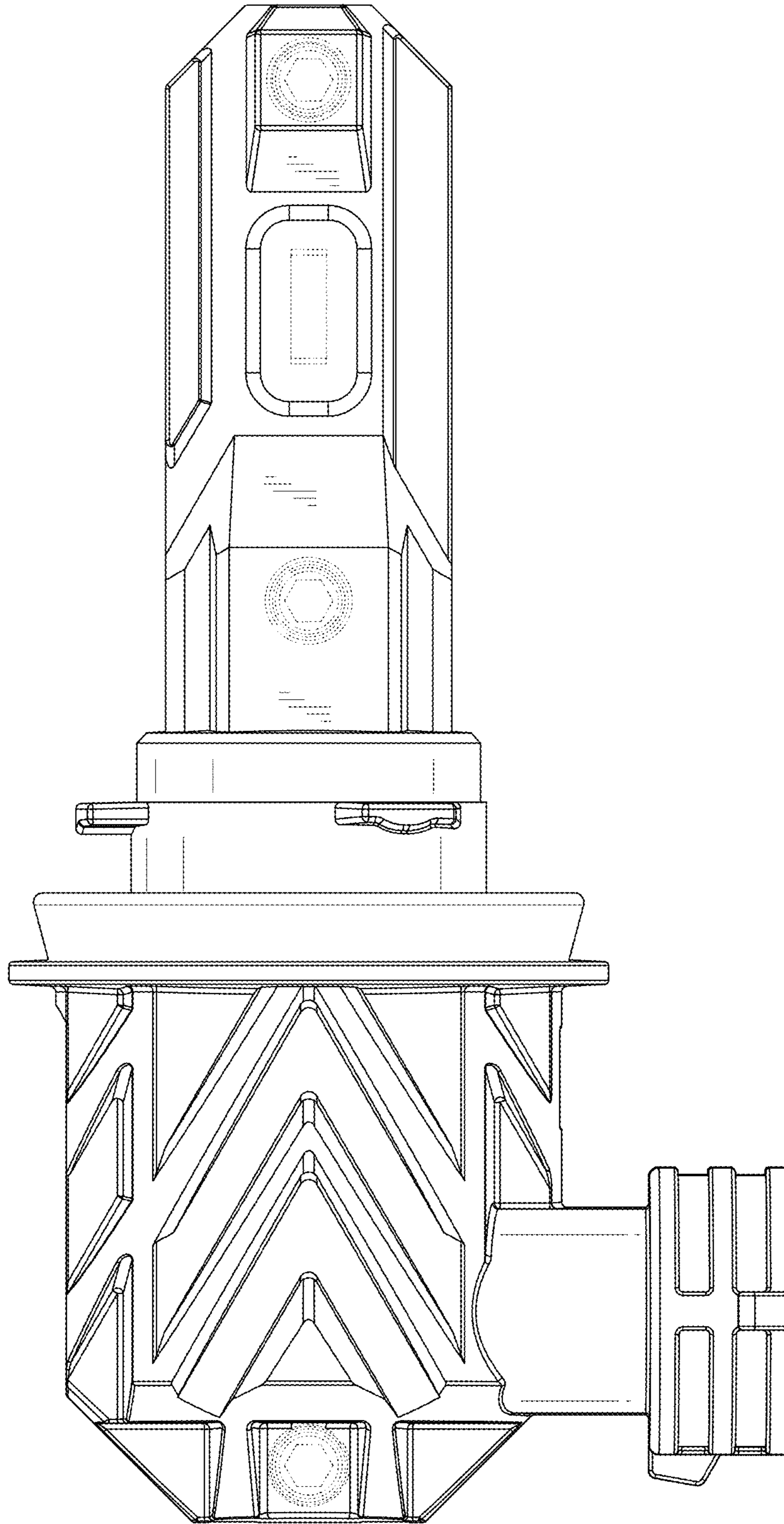


FIG. 4

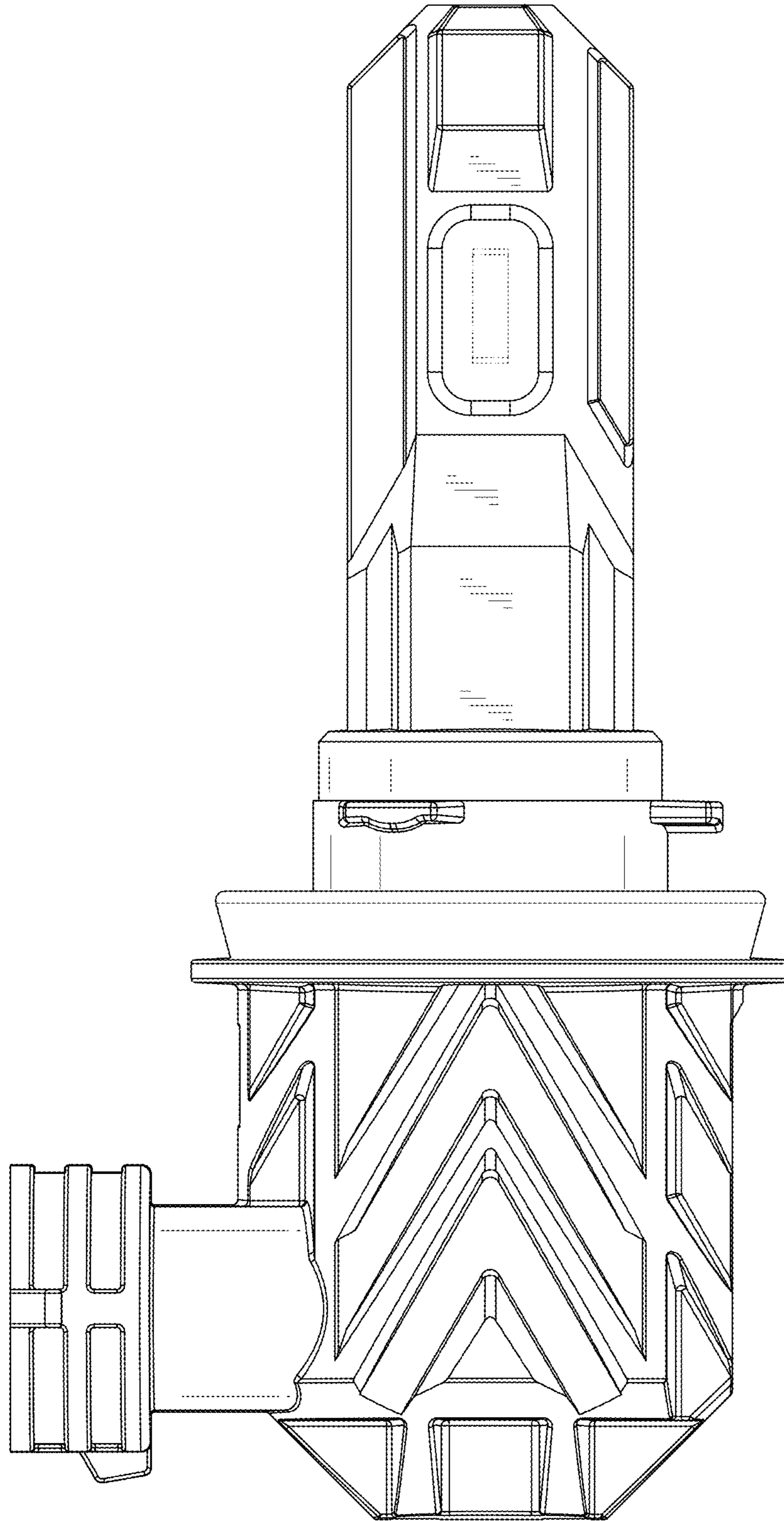


FIG. 5

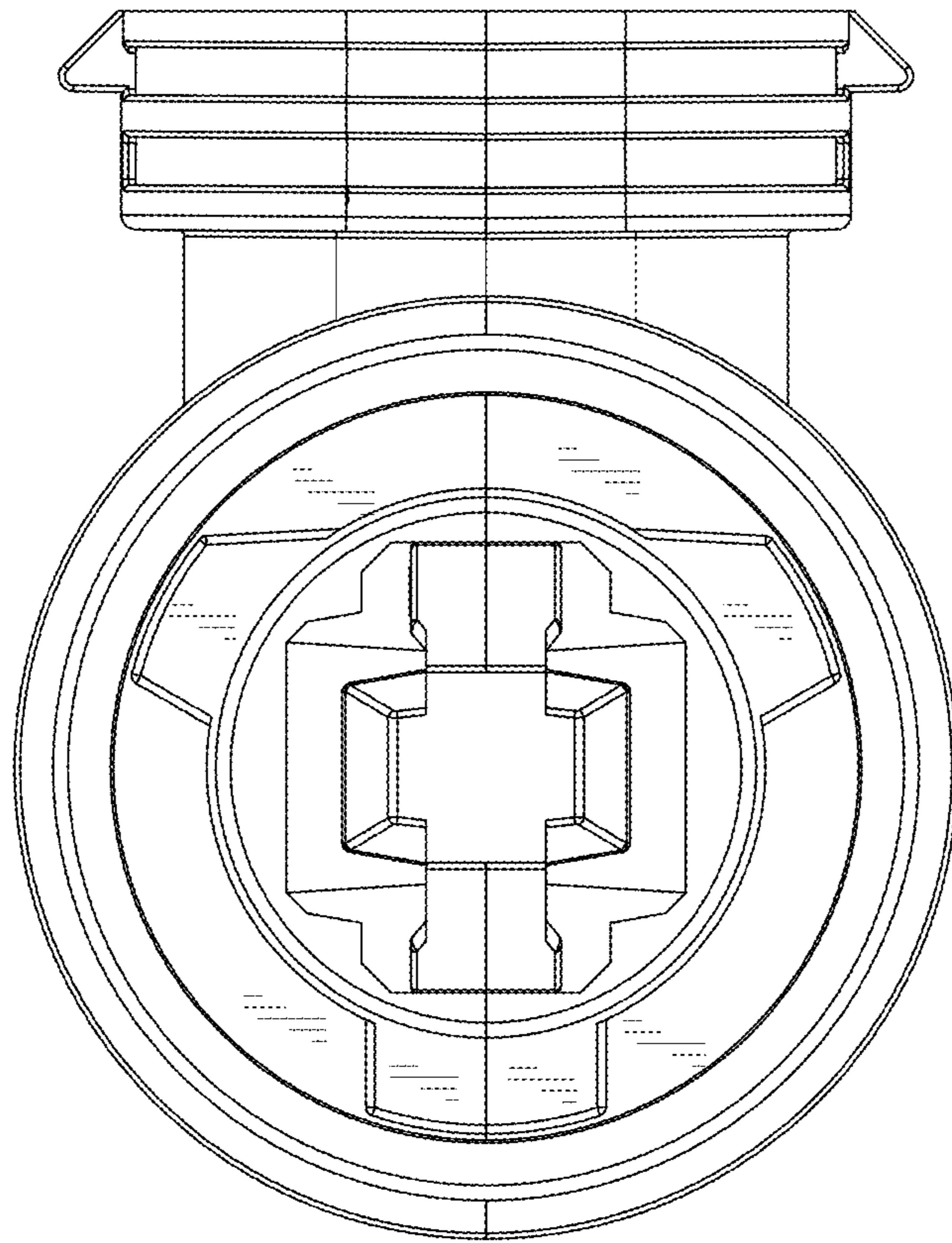


FIG. 6

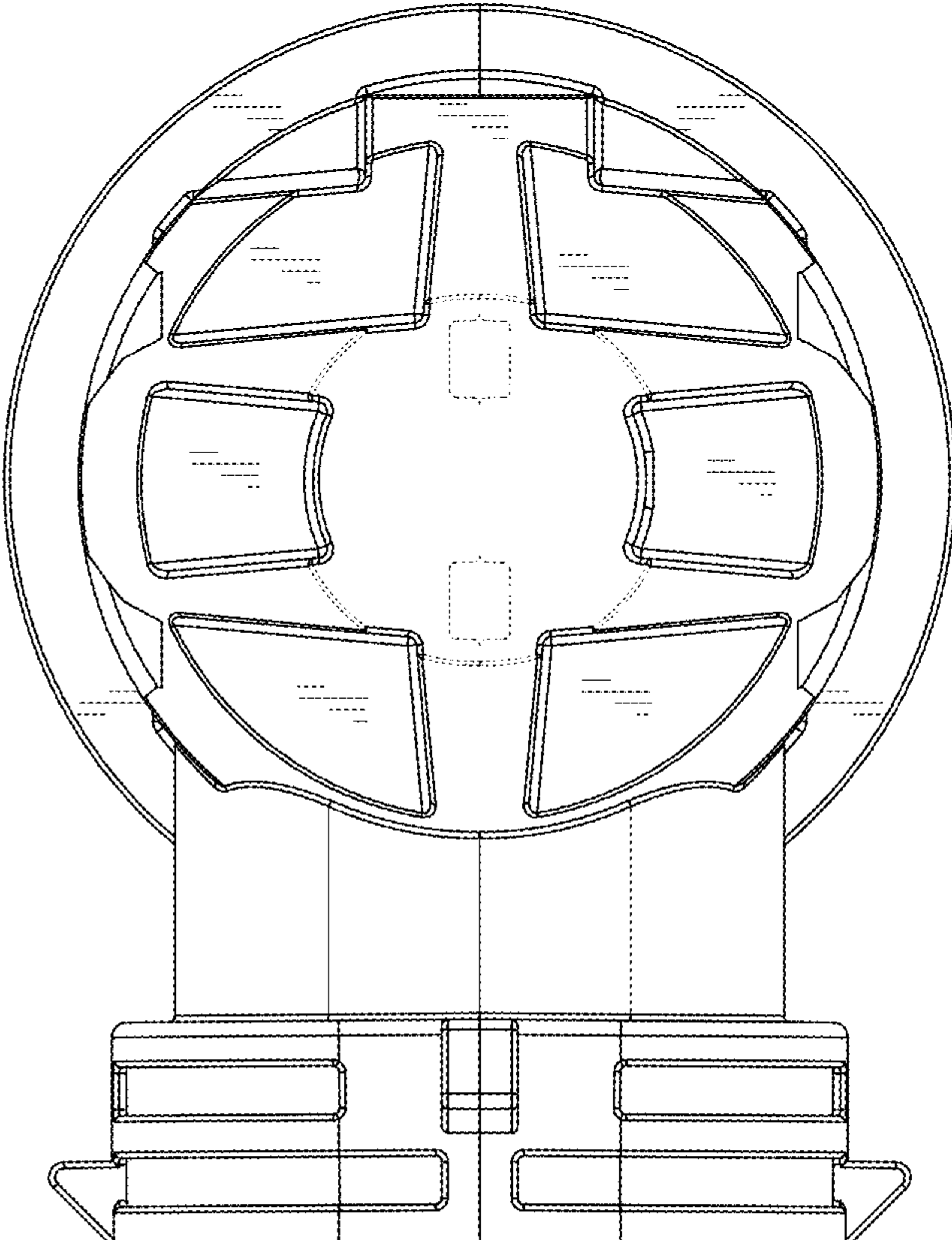


FIG. 7