



US00D978387S

(12) **United States Design Patent**  
**Koyama et al.**

(10) **Patent No.:** **US D978,387 S**

(45) **Date of Patent:** **\*\* Feb. 14, 2023**

(54) **FRONT COMBINATION LAMP FOR AN AUTOMOBILE**

D924,450 S \* 7/2021 Fukunaga ..... D26/28  
D925,795 S \* 7/2021 Yang ..... D26/28  
D932,068 S \* 9/2021 Fukunaga ..... D26/28

(71) Applicant: **TOYOTA JIDOSHA KABUSHIKI KAISHA**, Toyota (JP)

**OTHER PUBLICATIONS**

(72) Inventors: **Hideo Koyama**, Tokai (JP); **Motoaki Sakaue**, Handa (JP); **Daisuke Iguchi**, Chita-gun (JP)

ACANII—For 2020 Toyota Corolla SE, by ACANII, first available Nov. 27, 2020, published by Amazon, first visited Nov. 1, 2021. (Year: 2020).\*

(73) Assignee: **TOYOTA JIDOSHA KABUSHIKI KAISHA**, Toyota (JP)

netcarshow.com, Toyota Corolla Sedan (2019), <[https://www.netcarshow.com/toyota/2019-corolla\\_sedan\\_eu-version/](https://www.netcarshow.com/toyota/2019-corolla_sedan_eu-version/)>, available as early as Mar. 18, 2019.

(\*\*) Term: **15 Years**

netcarshow.com, Volkswagen Arteon R-Line (2018), <[https://www.netcarshow.com/volkswagen/2018-arteon\\_r-line/](https://www.netcarshow.com/volkswagen/2018-arteon_r-line/)>, available as early as Mar. 18, 2019.

(21) Appl. No.: **29/738,522**

\* cited by examiner

(22) Filed: **Jun. 18, 2020**

*Primary Examiner* — Angela J Lee

(30) **Foreign Application Priority Data**

(74) *Attorney, Agent, or Firm* — Saidman DesignLaw Group, LLC

Dec. 20, 2019 (JP) ..... 2019-028413

(51) **LOC (14) Cl.** ..... **26-06**

(57) **CLAIM**

(52) **U.S. Cl.**  
USPC ..... **D26/28**

The ornamental design for a front combination lamp for an automobile, as shown and described.

(58) **Field of Classification Search**

**DESCRIPTION**

USPC ..... D26/28, 29, 30, 31, 32, 33, 34, 35, 36  
CPC ..... F21V 35/00; F21V 14/01; F21V 29/00;  
F21V 5/00; B65D 41/04; B60Q 9/135;  
F21S 41/33; F21S 41/60; F21S 41/00;  
F21S 43/00; F21S 41/141; F21S 41/162;  
F21S 41/18; F21S 41/20; F21S 41/36;  
F21F 21/04; F21W 2103/40; F21W  
2103/35; F21W 2107/17; F21W 2107/13

FIG. 1 is a perspective view of front combination lamp for an automobile showing our new design;  
FIG. 2 is a front view thereof;  
FIG. 3 is a rear view thereof;  
FIG. 4 is a right side view thereof;  
FIG. 5 is a left side view thereof;  
FIG. 6 is a top view thereof; and,  
FIG. 7 is a bottom view thereof.

See application file for complete search history.

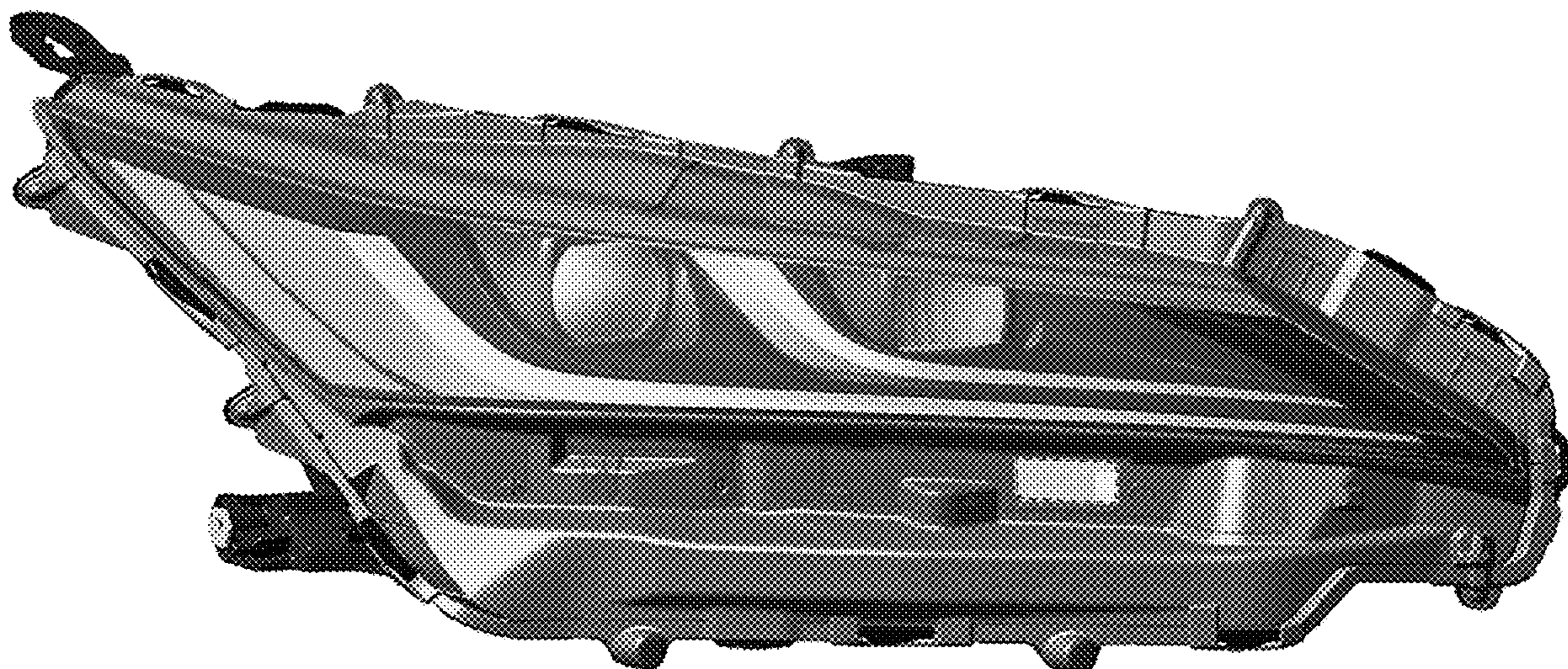
The broken lines depict boundaries of the claimed design and form no part of the claimed design; the lightened portions within the broken lines depict portions of the front combination lamp for an automobile that form no part of the claimed design.

(56) **References Cited**

**U.S. PATENT DOCUMENTS**

**1 Claim, 7 Drawing Sheets**

D831,866 S \* 10/2018 Lin ..... D26/28  
D889,697 S \* 7/2020 Tovey ..... D26/28  
D923,827 S \* 6/2021 Loisch ..... D26/28  
D923,828 S \* 6/2021 Loisch ..... D26/28



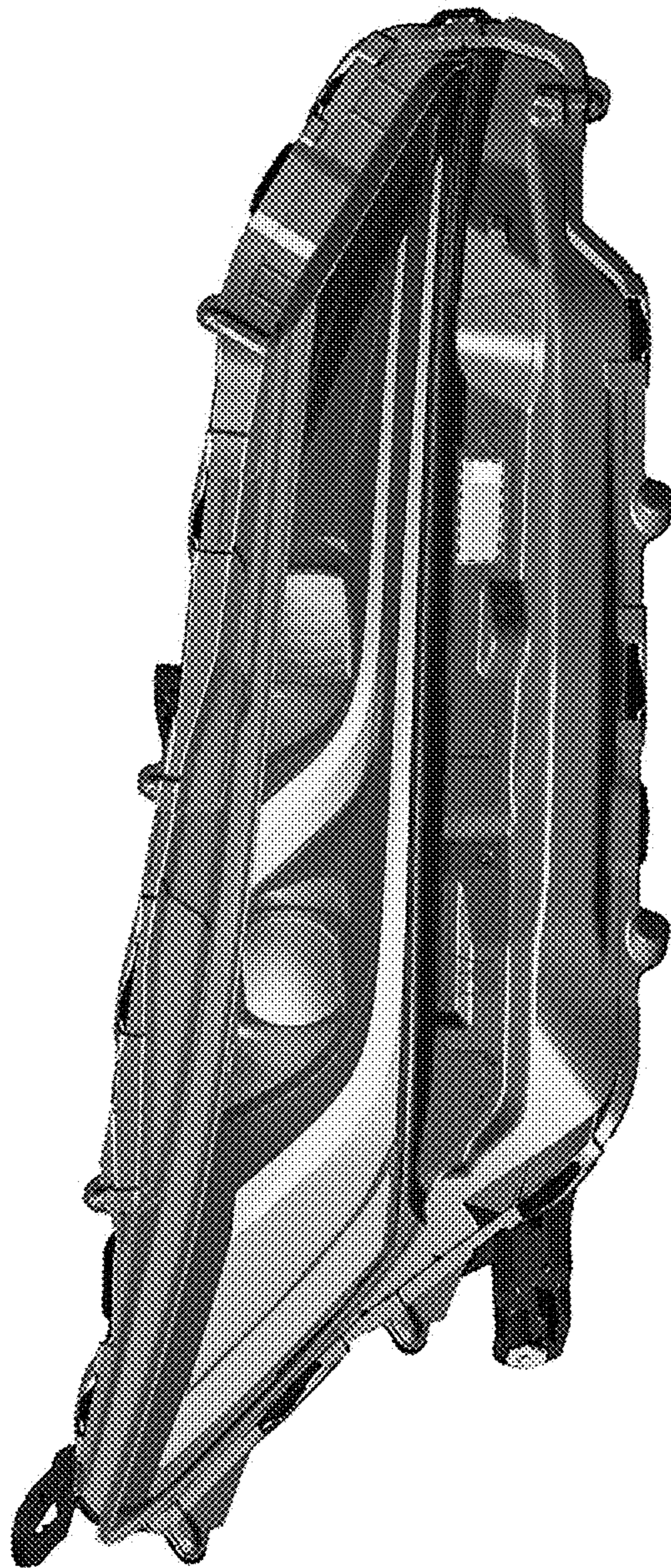


FIG. 1

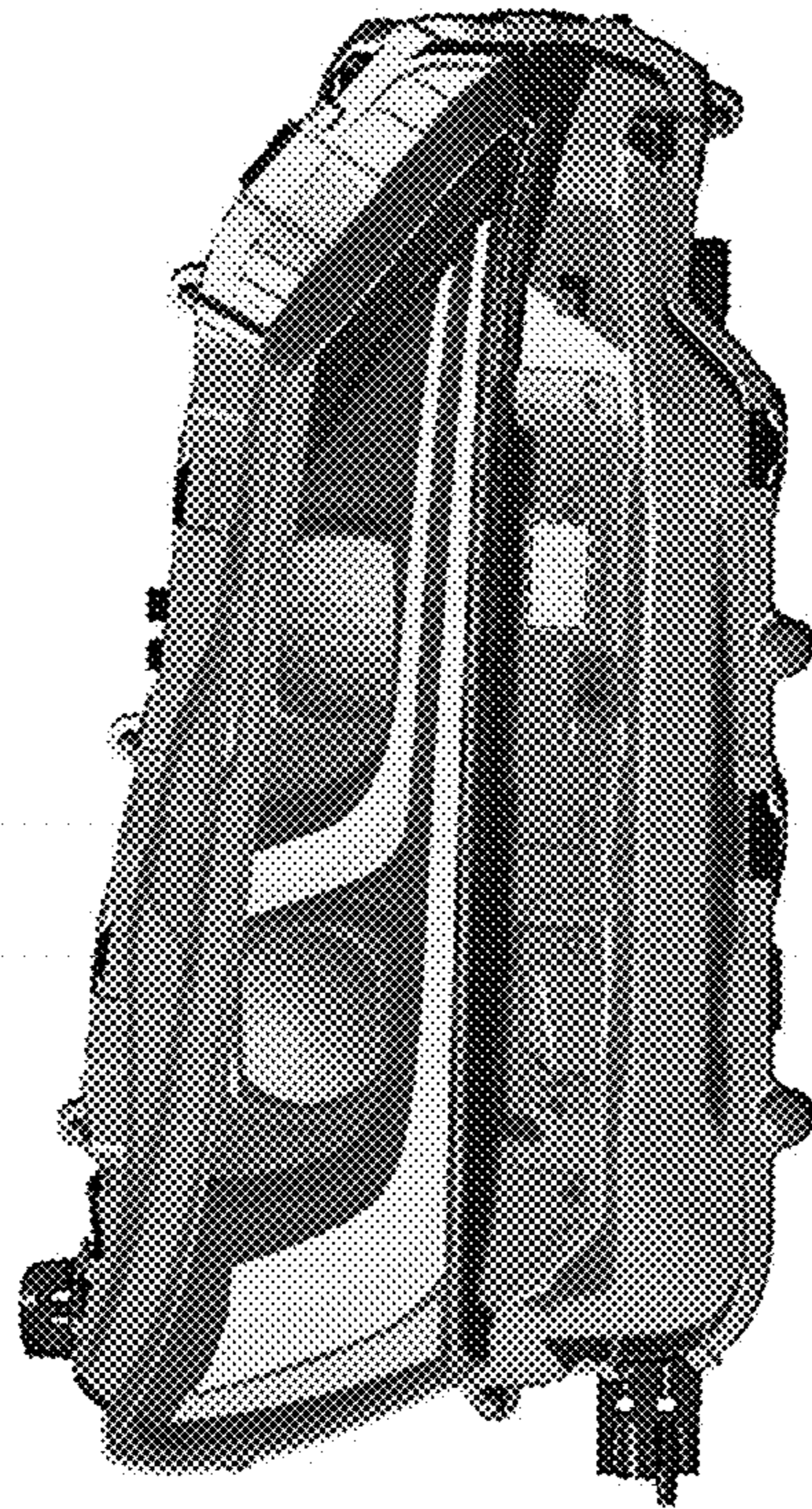


FIG. 2

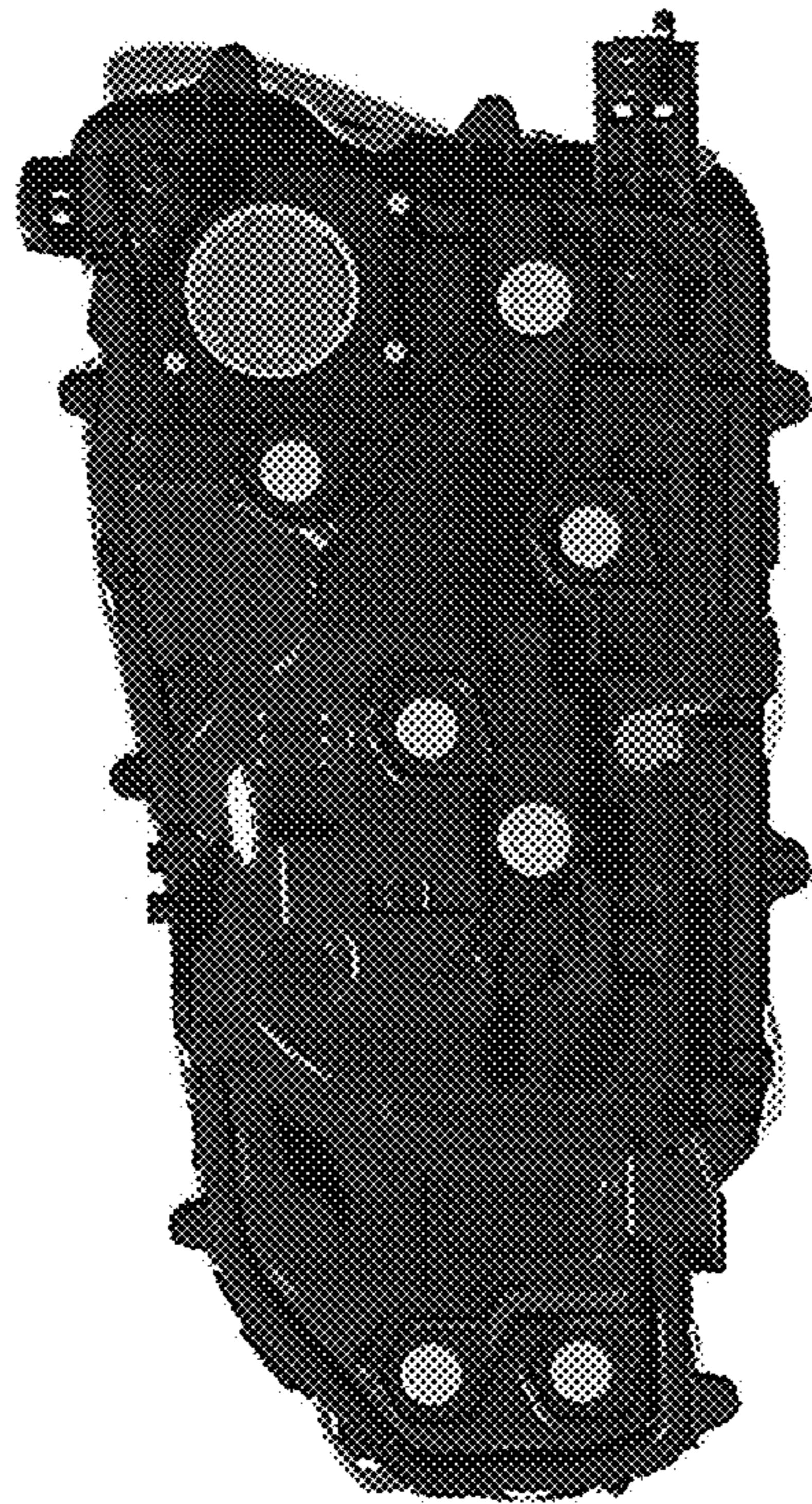


FIG. 3

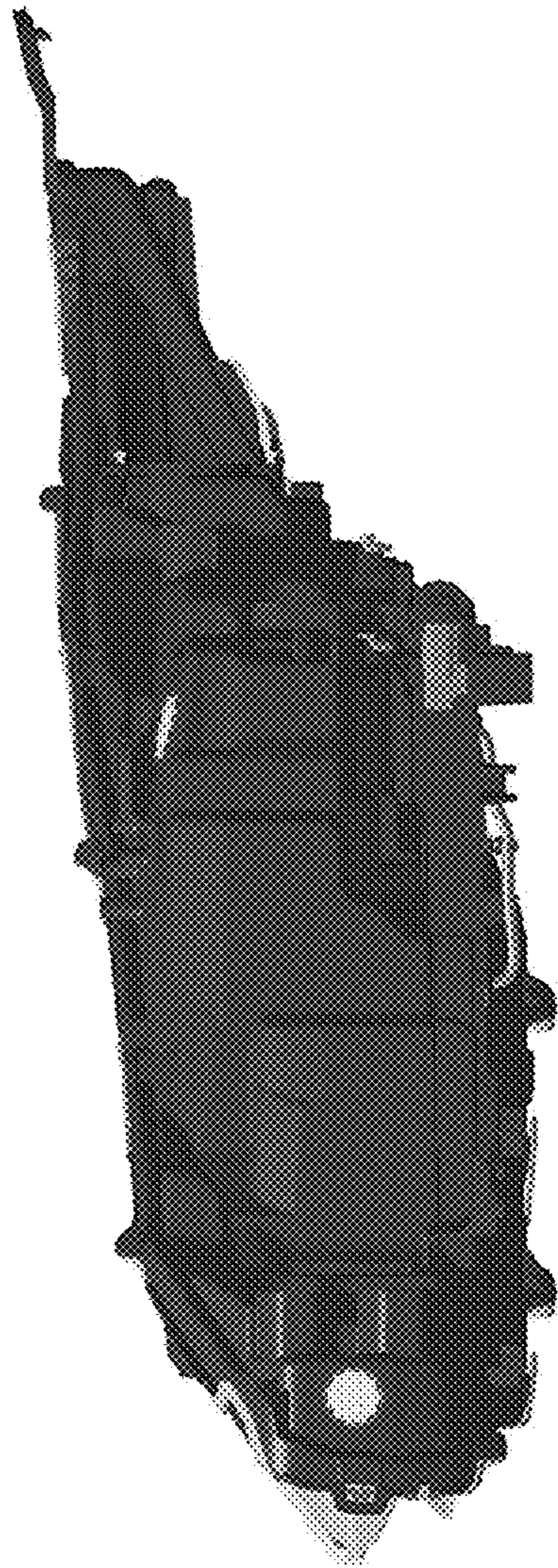


FIG. 4

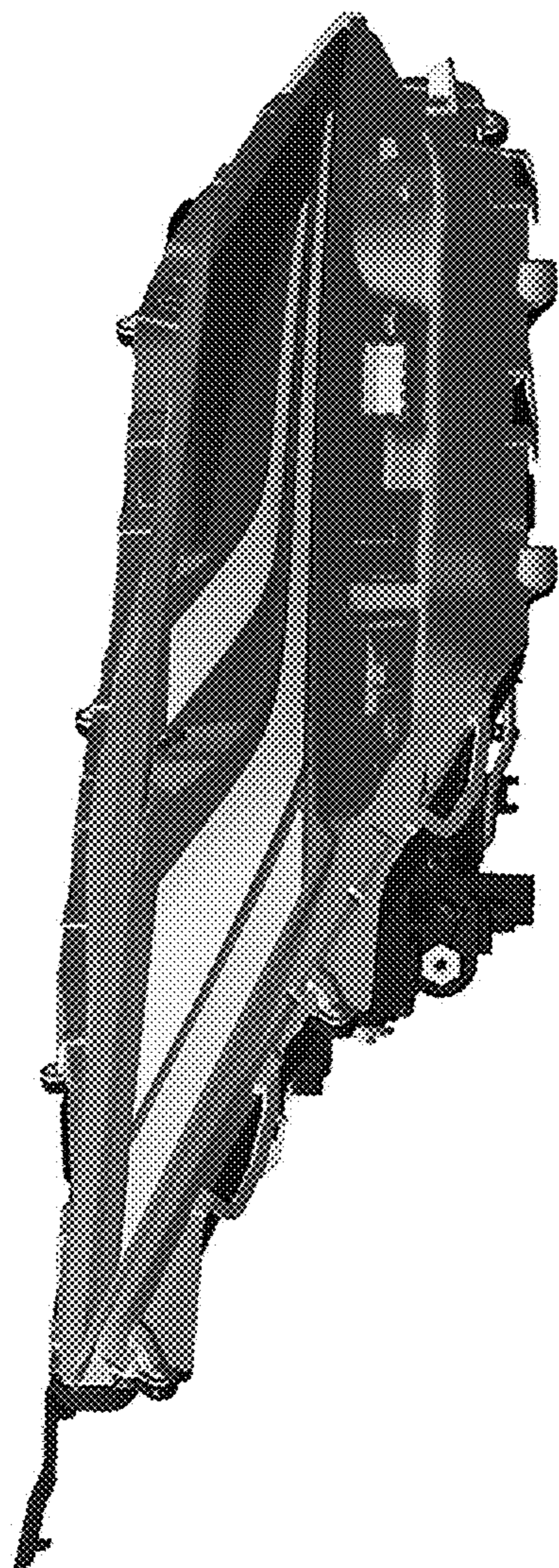


FIG. 5

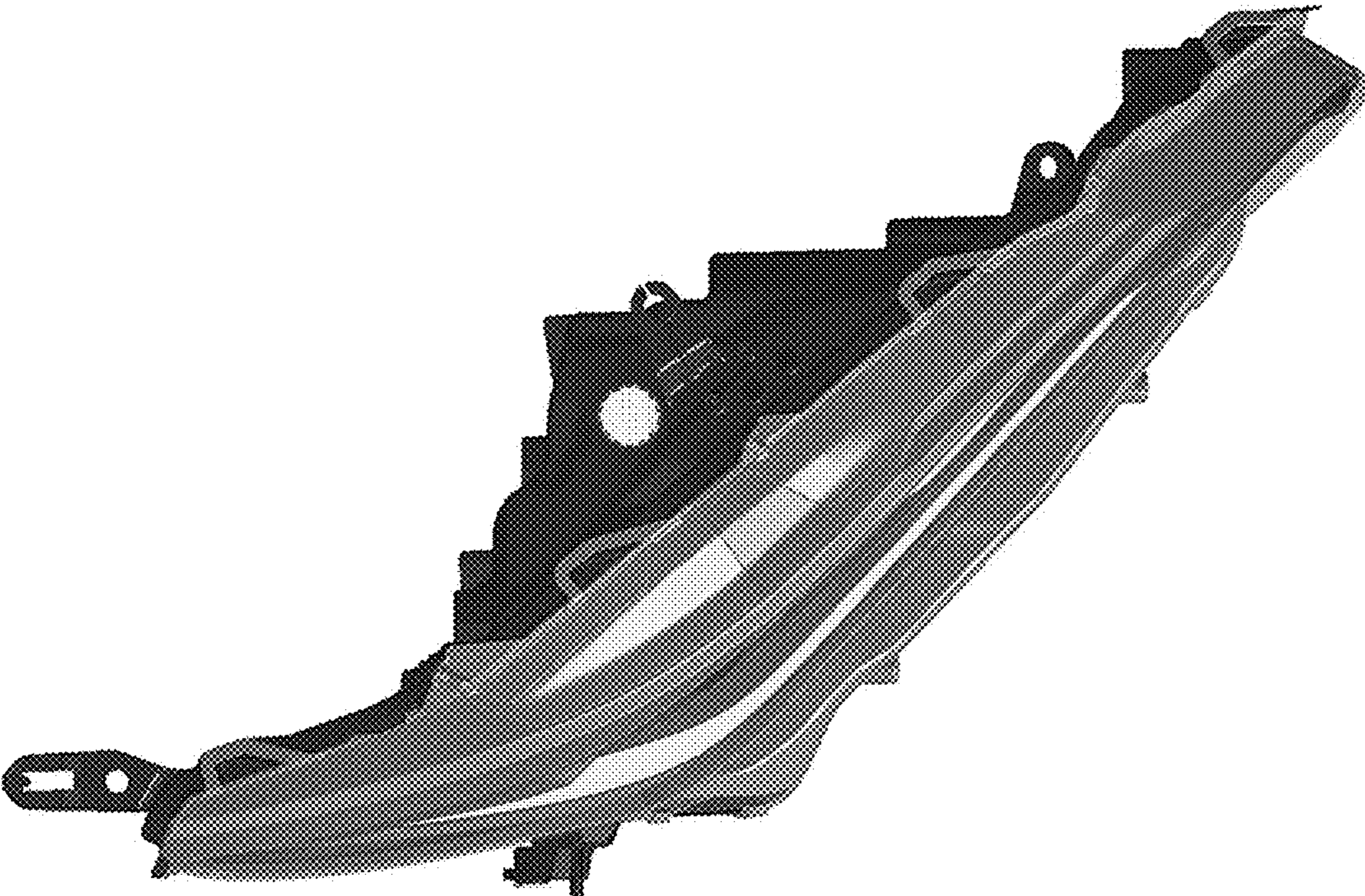


FIG. 6

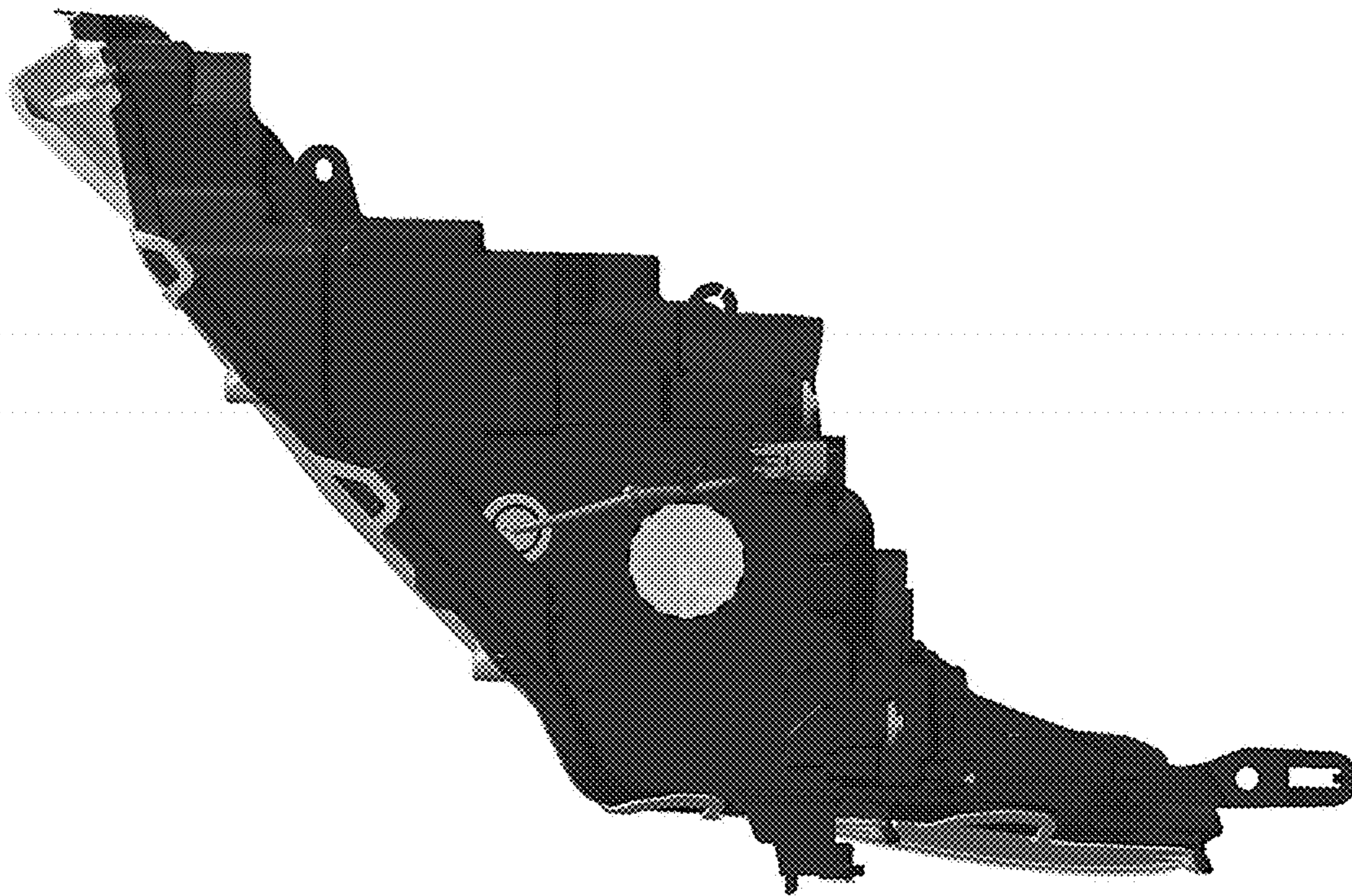


FIG. 7