



US00D978385S

(12) **United States Design Patent** (10) **Patent No.:** **US D978,385 S**  
**Ge** (45) **Date of Patent:** **\*\* Feb. 14, 2023**

(54) **STRING LIGHT**

FOREIGN PATENT DOCUMENTS

(71) Applicant: **Jiajia Ge**, Xinyi (CN)

GB 6128163 \* 4/2021  
GB 6128164 \* 4/2021

(72) Inventor: **Jiajia Ge**, Xinyi (CN)

(Continued)

(\*\*) Term: **15 Years**

OTHER PUBLICATIONS

(21) Appl. No.: **29/843,353**

Holiday Time, available in <https://www.amazon.com/>, posted: Aug. 8, 2017 [online], [site visited Sep. 20, 2022], Internet URL: <https://www.amazon.com/Holiday-Time-Count-White-Lights/dp/B08X3W68ZC> (Year: 2017).\*

(22) Filed: **Jun. 21, 2022**

(Continued)

(51) **LOC (14) Cl.** ..... **26-04**

(52) **U.S. Cl.**  
USPC ..... **D26/25**

(58) **Field of Classification Search**  
USPC ..... D11/117, 121, 124; D26/1, 24, 25, 27, D26/77, 113, 118  
CPC ..... F21S 2/00; F21S 4/00; F21S 4/15; F21S 8/033; F21S 8/036; F21S 8/081; F21S 8/083; F21L 2003/00; F21L 4/00; F21L 4/02; F21L 4/025; F21V 21/08; F21V 33/00

*Primary Examiner* — Samantha Wood  
*Assistant Examiner* — Alex T. Milbrath  
(74) *Attorney, Agent, or Firm* — Rumit Ranjit Kanakia

(57) **CLAIM**

The ornamental design for a string light, as shown and described.

See application file for complete search history.

**DESCRIPTION**

(56) **References Cited**

U.S. PATENT DOCUMENTS

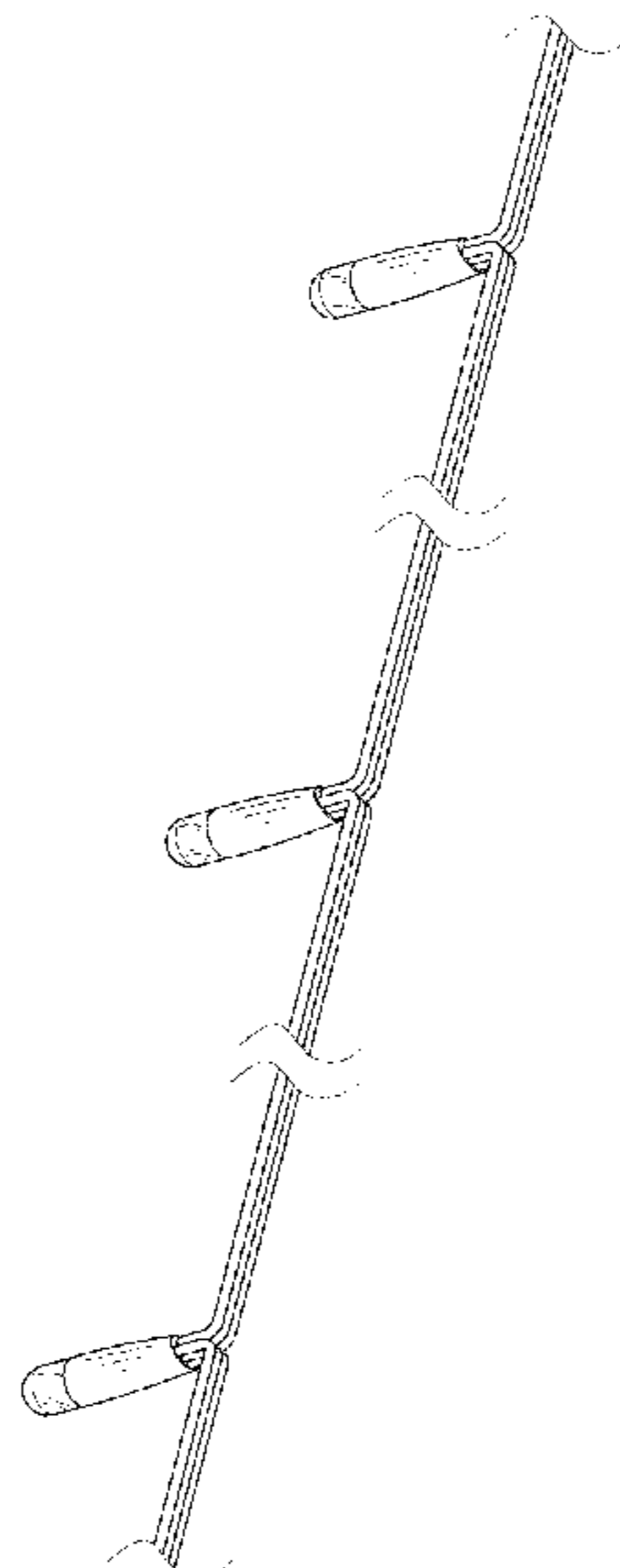
D202,705 S *	11/1965	Morgan	.....	D26/2
D243,933 S *	4/1977	Johns	.....	D10/111
D340,298 S *	10/1993	Murata	.....	D26/25
D352,562 S *	11/1994	Horton	.....	D26/25
D385,051 S *	10/1997	Wu	.....	D26/2
D908,254 S *	1/2021	Zhu	.....	D26/25
D908,255 S *	1/2021	Zhou	.....	D26/25
D915,643 S *	4/2021	Liang	.....	D26/25
D916,333 S *	4/2021	Liang	.....	D26/25
D919,131 S *	5/2021	Yang	.....	D26/25
D919,132 S *	5/2021	Du	.....	D26/25
D924,449 S *	7/2021	Zhang	.....	D26/25
D936,254 S *	11/2021	Gu	.....	D26/25
D936,866 S *	11/2021	Huasheng	.....	D26/25

(Continued)

FIG. 1 is a first perspective view of a string light showing my new design;  
FIG. 2 is a second perspective view thereof;  
FIG. 3 is a front view thereof;  
FIG. 4 is a back view thereof;  
FIG. 5 is a left side view thereof;  
FIG. 6 is a right side view thereof;  
FIG. 7 is a top view thereof;  
FIG. 8 is a bottom view thereof; and,  
FIG. 9 is an enlarged view of the selected portion 9 in FIG. 2.

The string light is shown with a symbolic break in its length. The appearance of any portion of the article between the break lines forms no part of the claimed design. The dot-dash broken lines in the drawings represent boundaries of the enlarged portions and form no part of the claimed design.

**1 Claim, 9 Drawing Sheets**



(56)

**References Cited**

## U.S. PATENT DOCUMENTS

D940,358	S	*	1/2022	Xiong	.....	D26/25
D940,359	S		1/2022	Yang		
D941,507	S	*	1/2022	Du	.....	D26/25
D957,009	S	*	7/2022	Xu	.....	D26/25
D960,401	S	*	8/2022	Lin	.....	D26/25
D960,402	S	*	8/2022	Lin	.....	D26/25
D960,404	S	*	8/2022	Wang	.....	D26/25

## FOREIGN PATENT DOCUMENTS

GB	6128184	*	4/2021
GB	6128191	*	4/2021
GB	6137032	*	5/2021

## OTHER PUBLICATIONS

Adafruit 12mm Diffused Thin Digital RGB LED, available in <https://www.amazon.com/>, posted: Feb. 24, 2017 [online], [site visited Sep. 20, 2022], Internet URL: <https://www.amazon.com/Adafruit-Diffused-Digital-Pixels-Strand/dp/B00SLYAWOG> (Year: 2017).\*

FlashingBlinkyLights Rainbow Party LED, available in <https://www.amazon.com/>, posted: Jun. 11, 2020 [online], [site visited Sep. 20, 2022], Internet URL: <https://www.amazon.com/Rainbow-Party-Globes-Light-Necklace/dp/B08B3GV3FX> (Year: 2020).\*

Twinkly Festoon App-Controlled LED Bulb Lights String, available in <https://www.amazon.com/>, posted: Apr. 9, 2020 [online], [site visited Sep. 20, 2022], Internet URL: <https://www.amazon.com/Twinkly-App-Controlled-Multicolor-Decorations-Generation/dp/B086XHQRZ> (Year: 2020).\*

\* cited by examiner

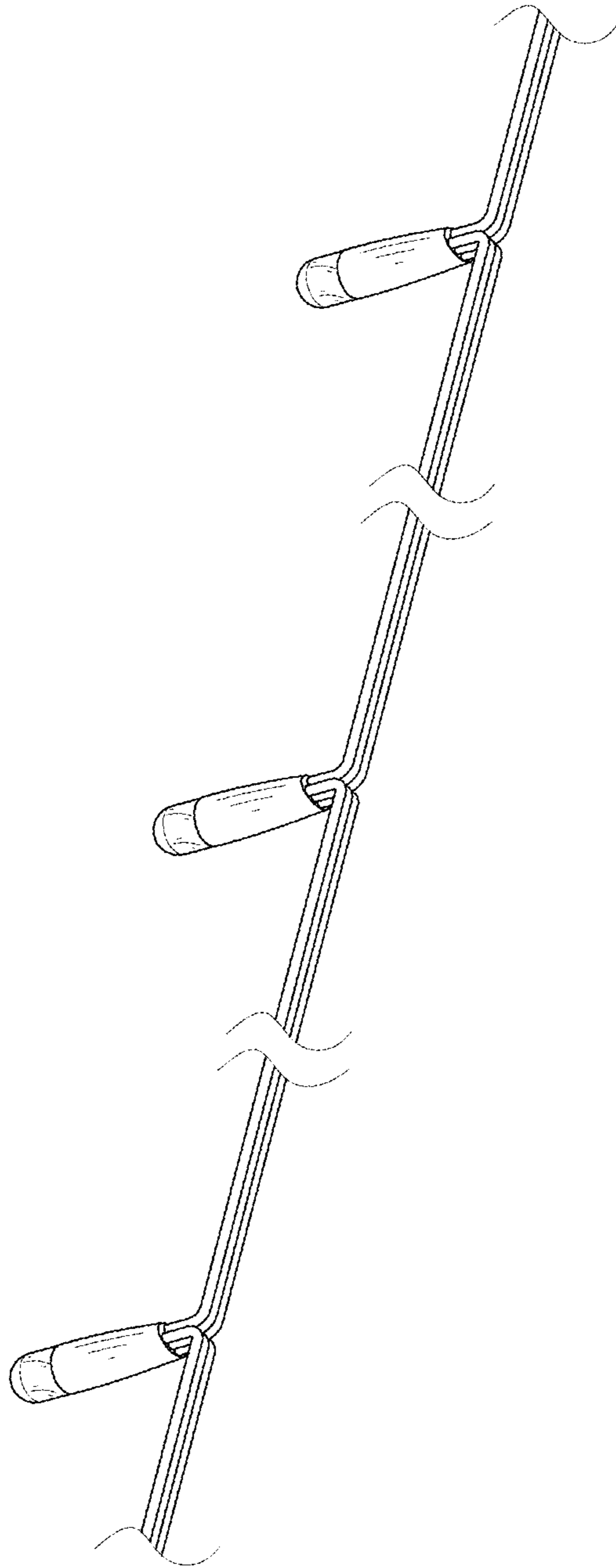


FIG. 1

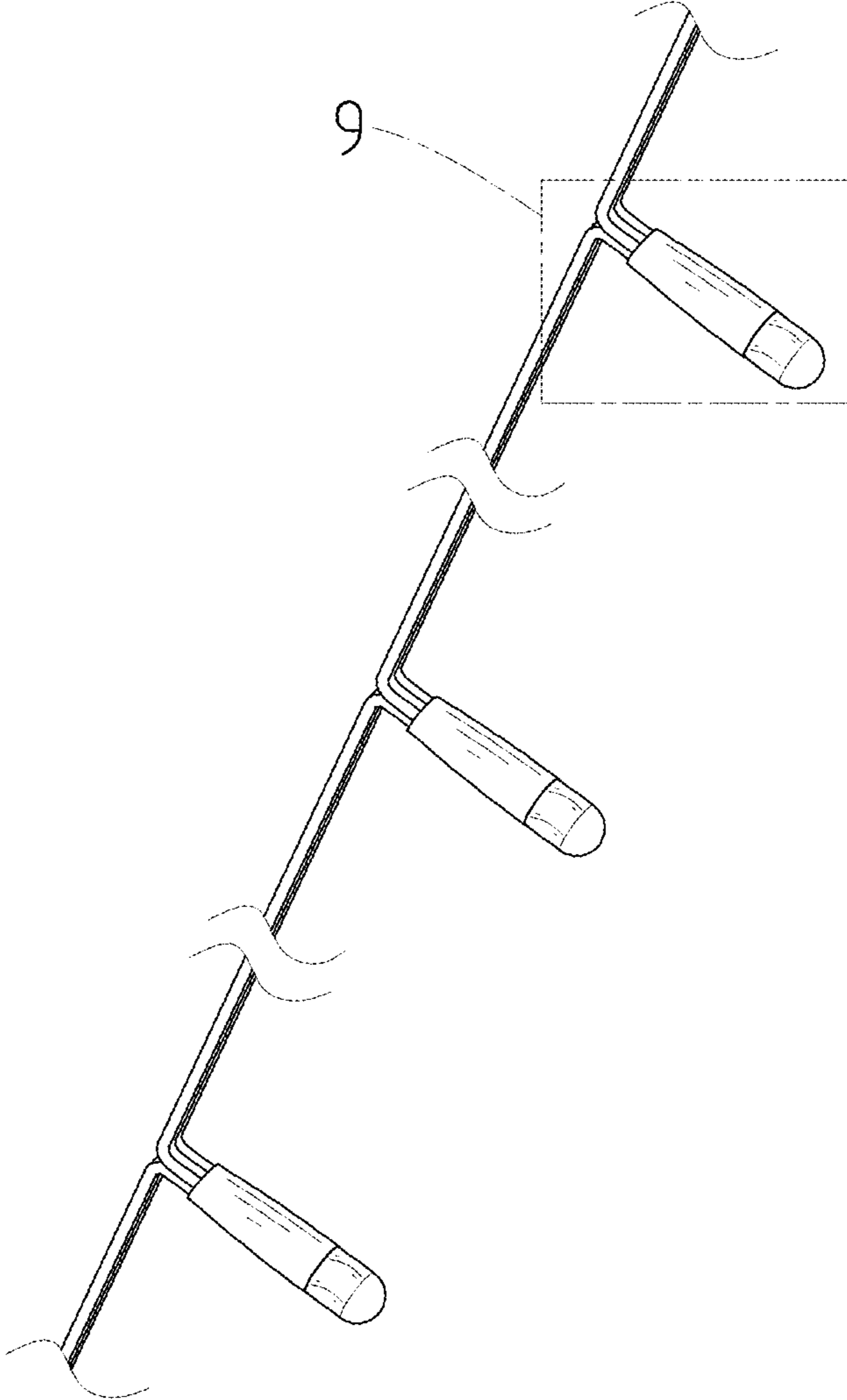


FIG. 2

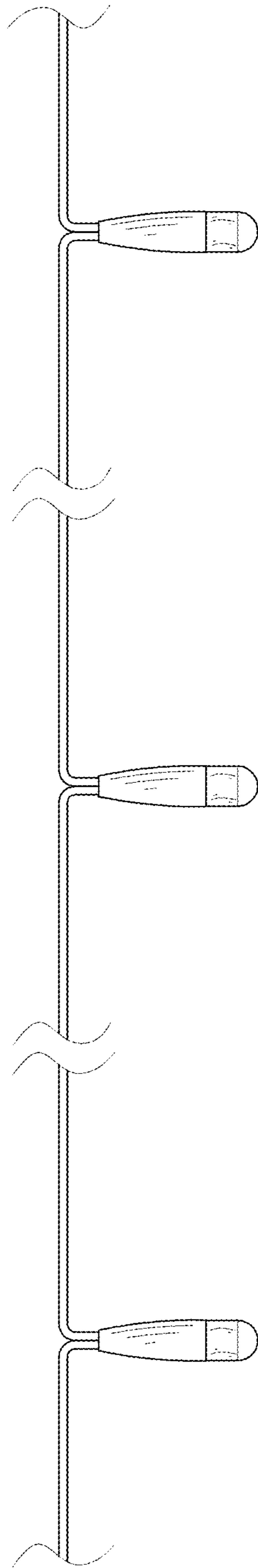


FIG. 3

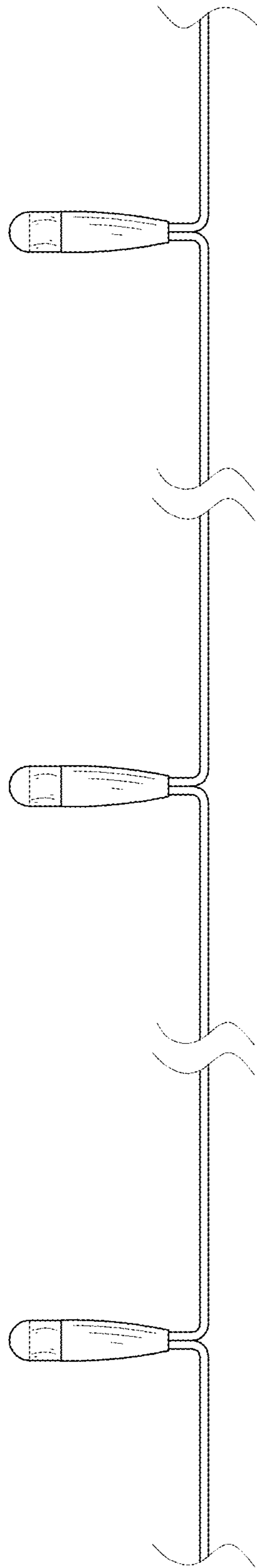


FIG. 4

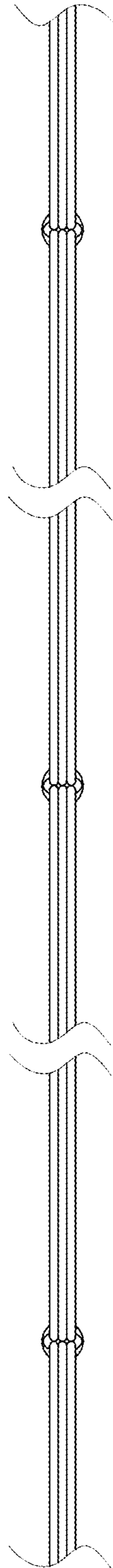


FIG. 5

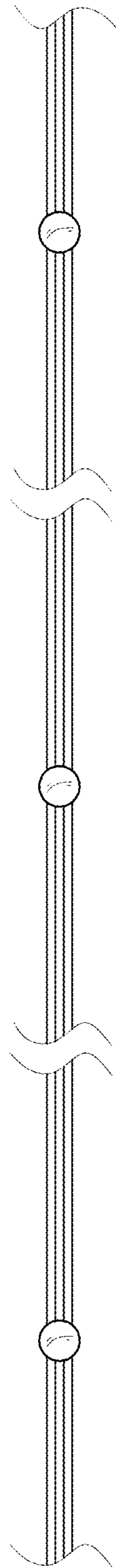


FIG. 6



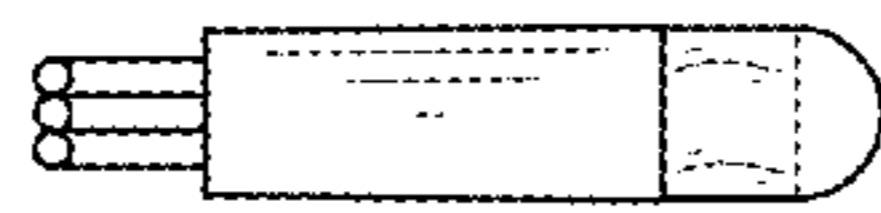


FIG. 7

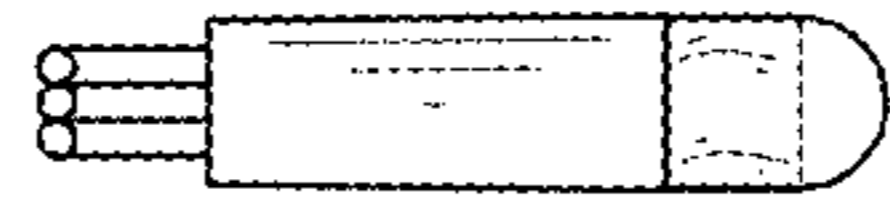


FIG. 8

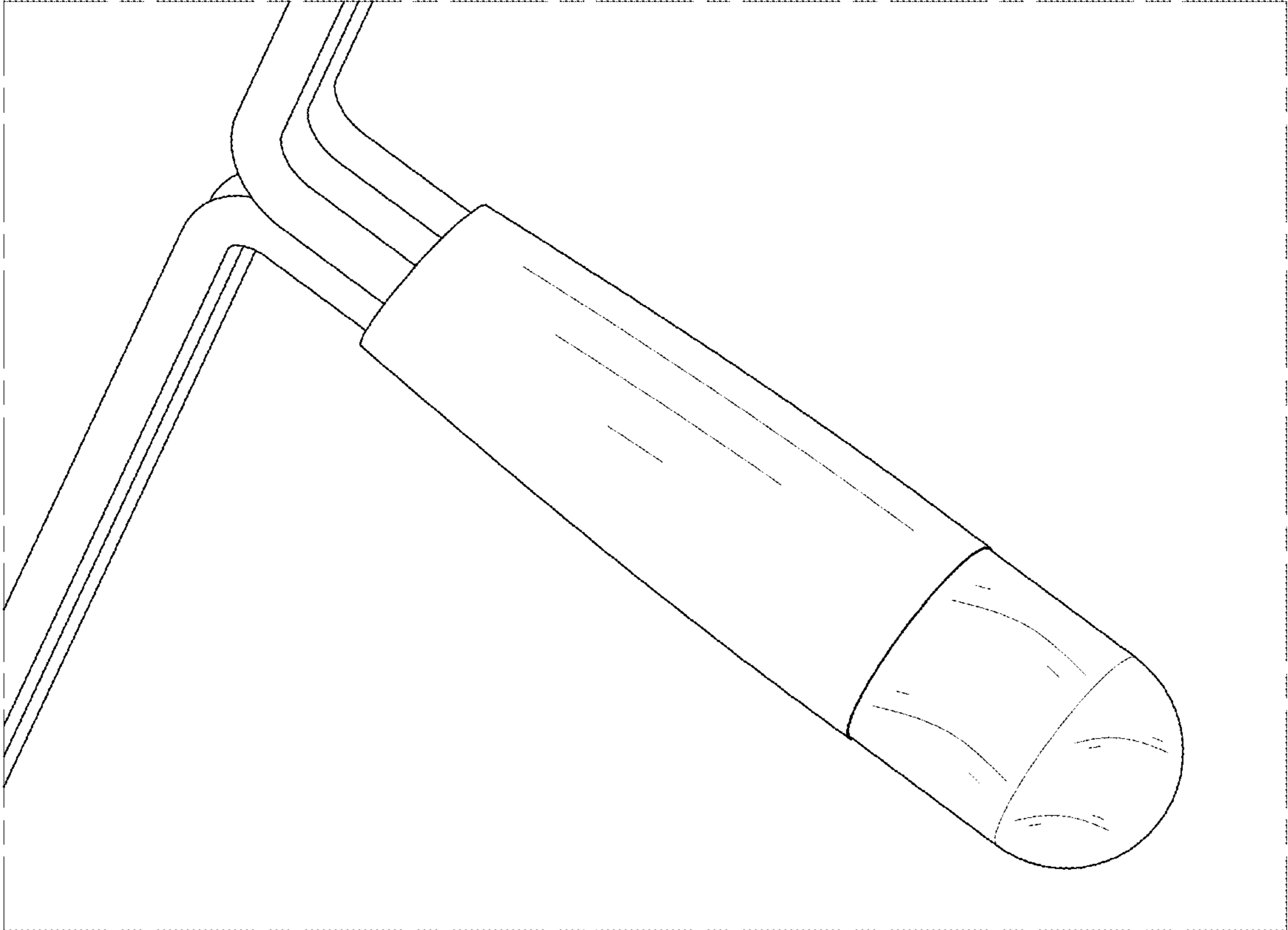


FIG. 9