



US00D978384S

(12) **United States Design Patent**
Hu

(10) **Patent No.:** **US D978,384 S**

(45) **Date of Patent:** **** Feb. 14, 2023**

(54) **SOLAR LIGHT**

(71) Applicant: **Shenzhen Lingtuo Intelligent Technology Co., Ltd., Shenzhen (CN)**

(72) Inventor: **Peipei Hu, Shenzhen (CN)**

(**) Term: **15 Years**

(21) Appl. No.: **29/784,560**

(22) Filed: **May 20, 2021**

(51) **LOC (14) Cl.** **26-02**

(52) **U.S. Cl.**
USPC **D26/25**

(58) **Field of Classification Search**
USPC D26/1, 2, 4, 24, 25, 27, 113, 118
CPC F21S 4/00; F21S 4/10; F21S 4/15; F21S 4/20; F21S 9/03; F21S 9/032; F21W 2131/109

See application file for complete search history.

(56) **References Cited**

U.S. PATENT DOCUMENTS

- 3,594,681 A * 7/1971 Weiss F21S 4/10
439/666
- D383,226 S 9/1997 Odien
- D386,445 S 11/1997 Odierna
- D400,272 S 10/1998 Mount
- D406,248 S 3/1999 Prineppi
- D413,173 S 8/1999 Mount
- D416,637 S 11/1999 Mount
- D439,991 S 4/2001 Wong
- D440,674 S 4/2001 Nichols
- 6,318,884 B1 * 11/2001 Hibbard F21V 21/08
362/391
- D458,699 S 6/2002 Gilbert
- 6,422,891 B1 * 7/2002 Huang H02G 15/115
439/367
- D564,682 S 3/2008 Voss
- D898,986 S * 10/2020 Gold F21S 4/10
D26/138
- 10,887,961 B2 * 1/2021 Yu F21V 19/004

- 10,962,219 B2 * 3/2021 Sawalski A01N 25/18
- D915,644 S * 4/2021 Lin F21V 31/005
D26/25
- D916,333 S * 4/2021 Liang F21V 1/00
D26/25
- D918,440 S * 5/2021 Li D26/25
- 11,073,261 B1 * 7/2021 Huang F21V 1/00
- 11,131,451 B1 * 9/2021 Zhang F21V 31/005
- D949,090 S * 4/2022 Wang H02G 15/115
D13/102

(Continued)

OTHER PUBLICATIONS

Westgate LED String Lights, Oct. 28, 2014, Amazon.com, site visited Jun. 16, 2022, url: <https://www.amazon.com/dp/B00P9EK2UK> (Year: 2014).*

(Continued)

Primary Examiner — Nathan M Johnston
(74) *Attorney, Agent, or Firm* — Rumit Ranjit Kanakia

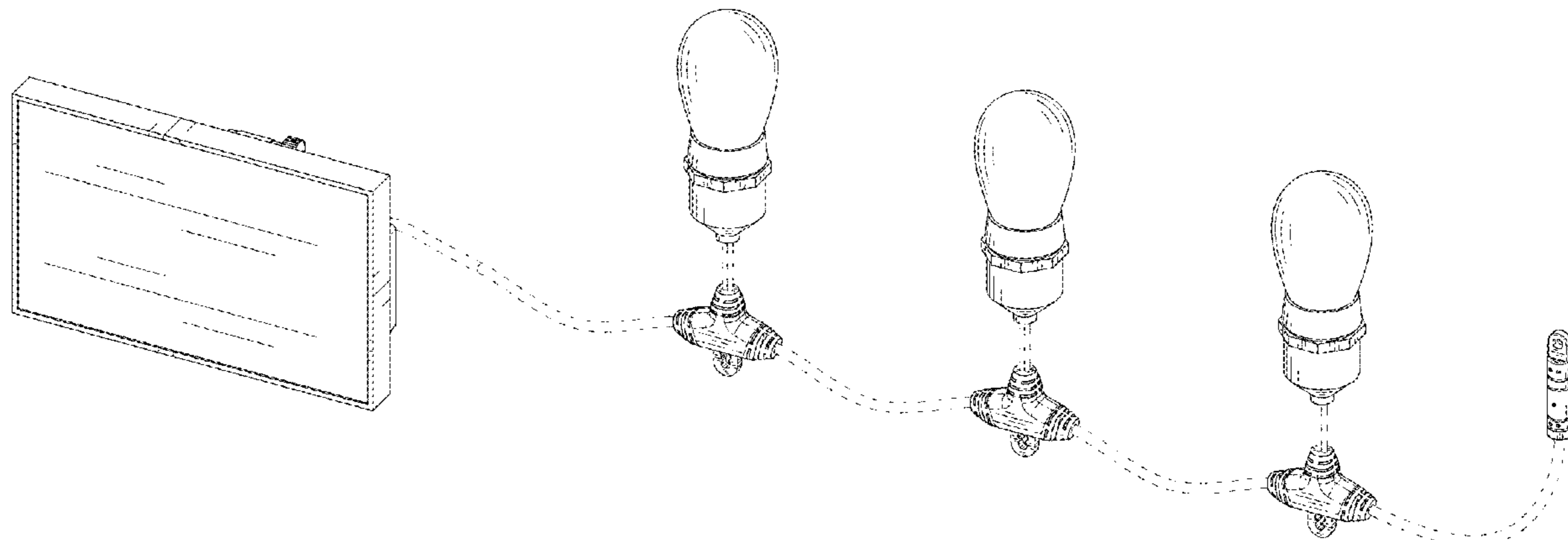
(57) **CLAIM**

The ornamental design for a solar light, as shown and described.

DESCRIPTION

FIG. 1 is a front elevational view of a solar light showing my new design;
FIG. 2 is a rear elevational view thereof;
FIG. 3 is a left side view thereof;
FIG. 4 is a right side view thereof;
FIG. 5 is a top plan view thereof;
FIG. 6 is a bottom plan view thereof;
FIG. 7 is a perspective view thereof; and,
FIG. 8 is another perspective view thereof.
The broken lines in the figures are for the purpose of illustrating portions of the solar light, which form no part of the claimed design.

1 Claim, 8 Drawing Sheets



(56)

References Cited

U.S. PATENT DOCUMENTS

2008/0259604 A1* 10/2008 Huang H01R 13/639
362/375
2016/0061432 A1* 3/2016 Bogart H05B 45/382
315/201
2017/0067623 A1* 3/2017 Lin F21V 27/00
2017/0138577 A1* 5/2017 Lin H02G 15/117
2017/0343169 A1* 11/2017 Yu F21S 4/10
2017/0343170 A1* 11/2017 Yu F21S 4/10
2018/0299084 A1* 10/2018 Chien F21V 13/02
2018/0372278 A1* 12/2018 Zhang F21V 23/06
2020/0032986 A1* 1/2020 Zhang F21V 23/001
2021/0148562 A1* 5/2021 Sawalski F21V 23/001
2021/0156530 A1* 5/2021 Huang F21V 1/00

OTHER PUBLICATIONS

Sunthin Outdoor String Lights, Dec. 7, 2016, Amazon.com, site visited Jun. 16, 2022, url: https://www.amazon.com/dp/B07TWV1WGJ?th=1&language=en_US (Year: 2016).*

Mlambert LED Dimmable String Lights, Dec. 10, 2019, Amazon.com, site visited Jun. 16, 2022, url: <https://www.amazon.com/dp/B082LX3YV4> (Year: 2019).*

Fmart 2W Outdoor String Lights, Sep. 7, 2020, Amazon.com, site visited Jun. 16, 2022, url: <https://www.amazon.com/dp/B08HHZ8XTN?th=1> (Year: 2020).*

* cited by examiner

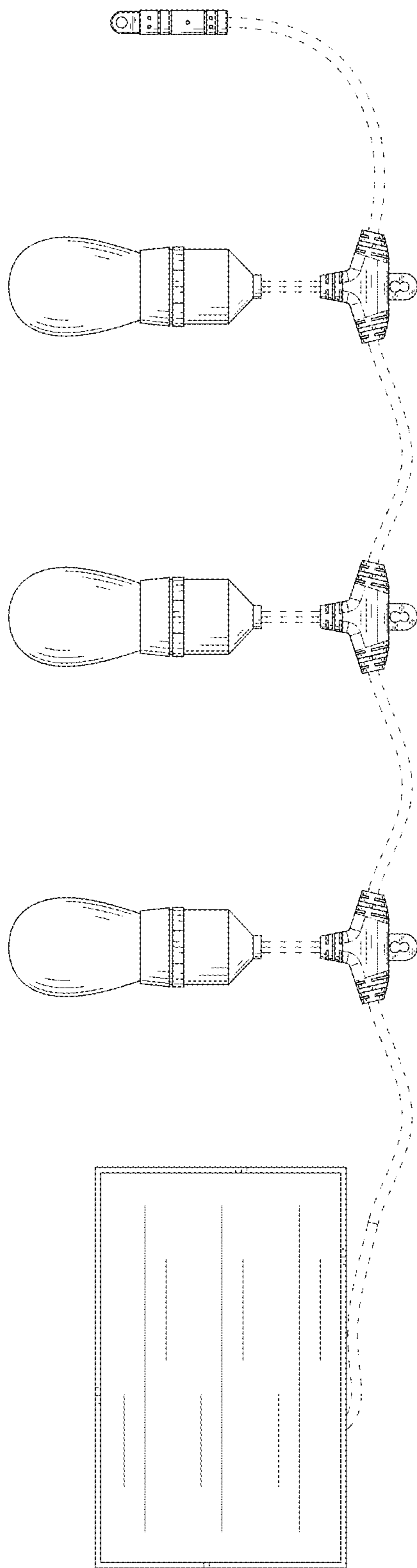


FIG. 1

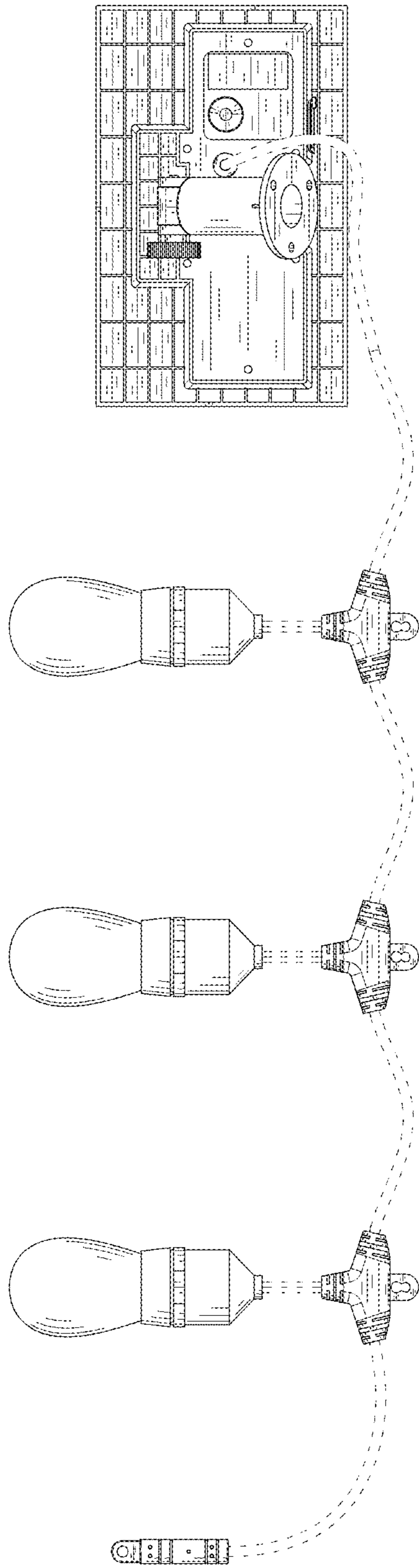


FIG. 2

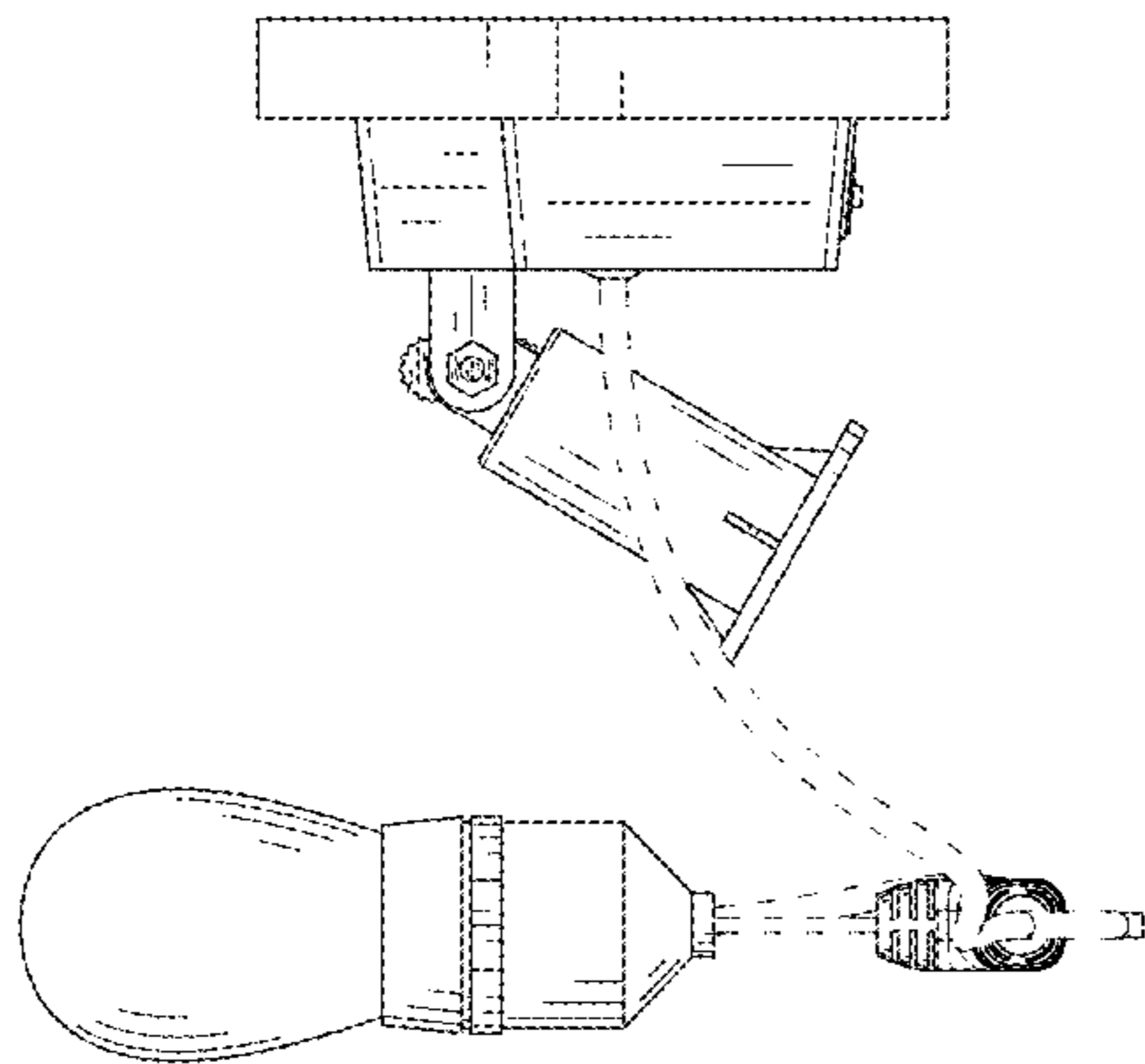


FIG. 3

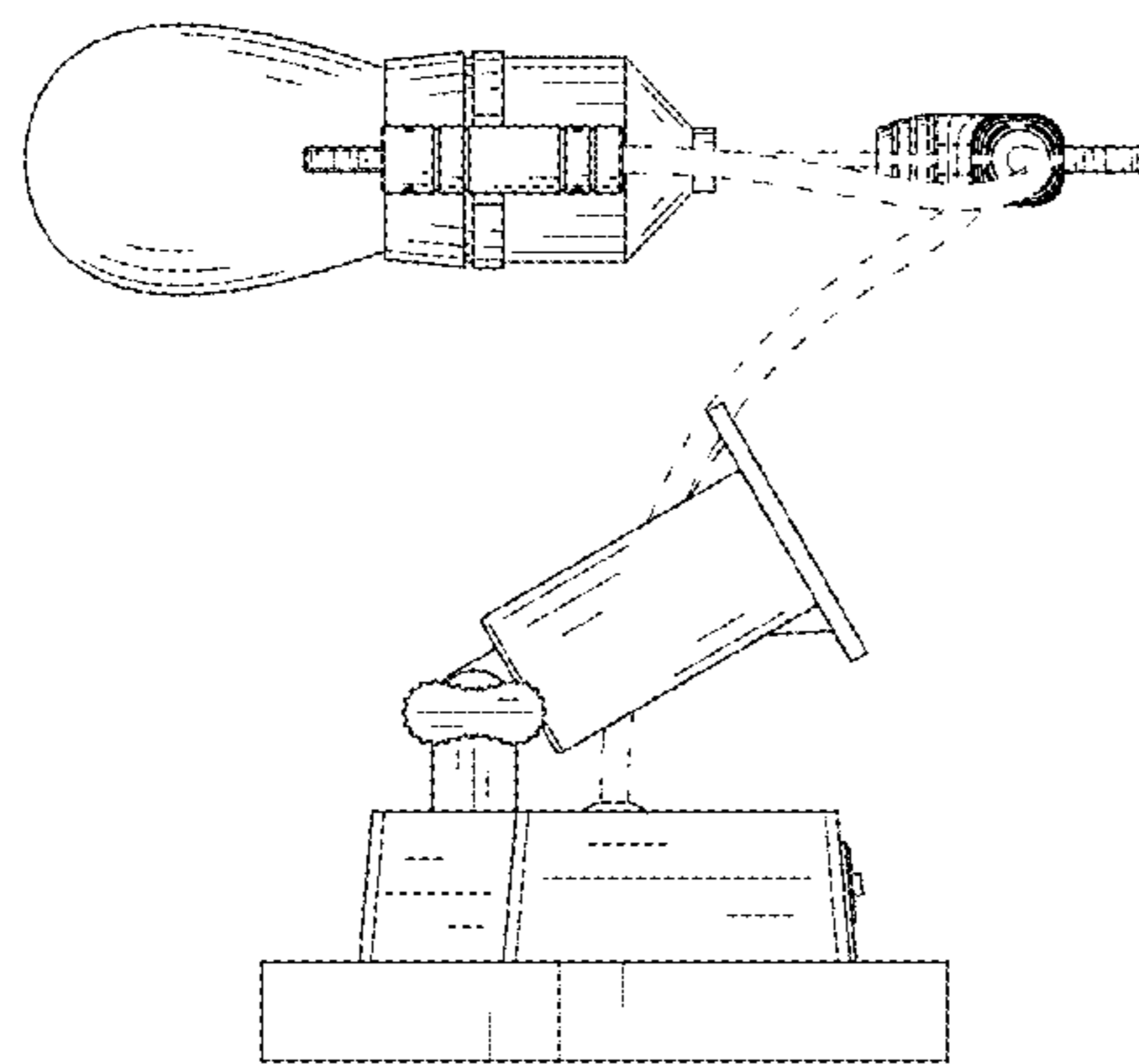


FIG. 4

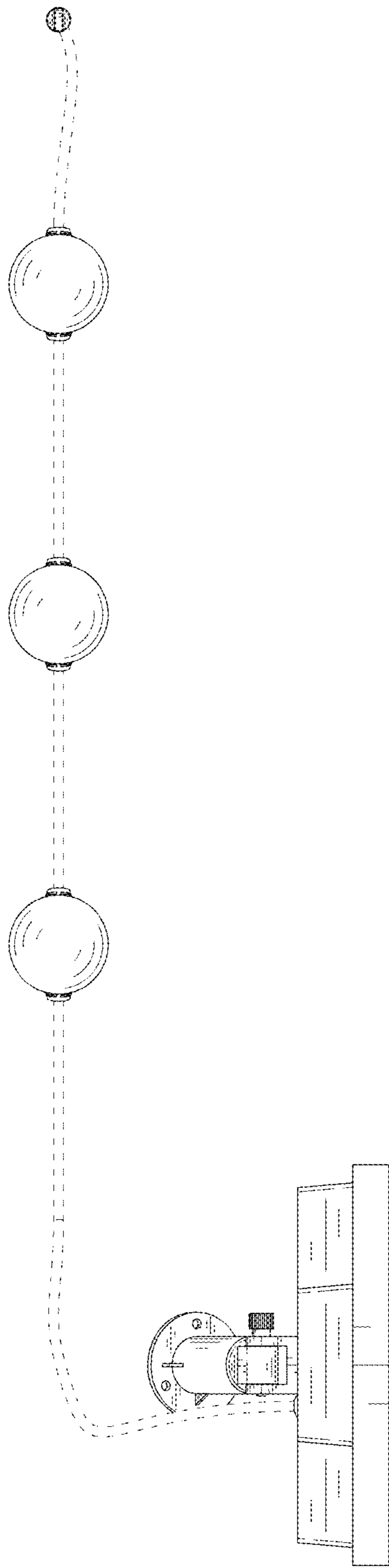


FIG. 5

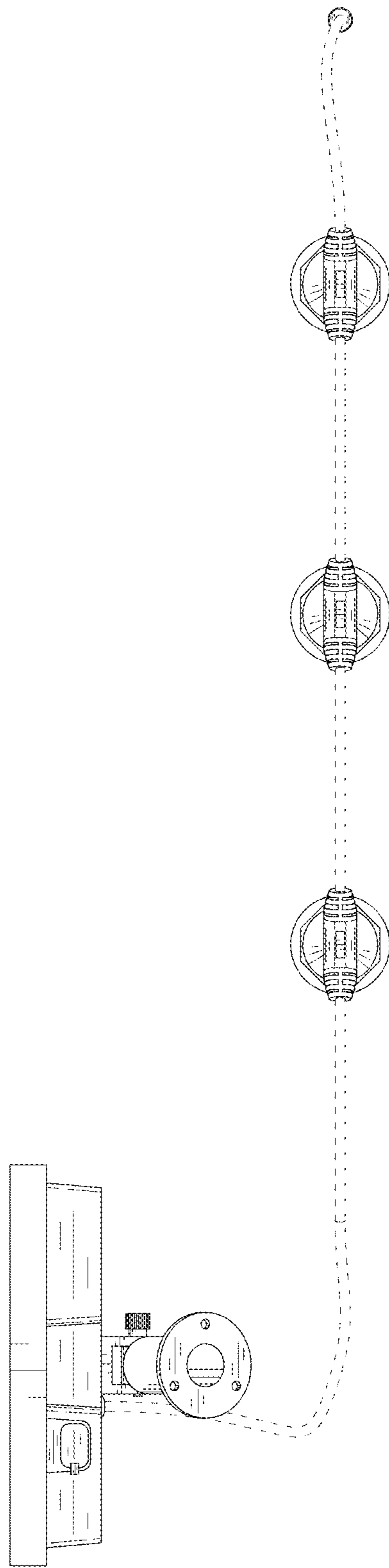


FIG. 6

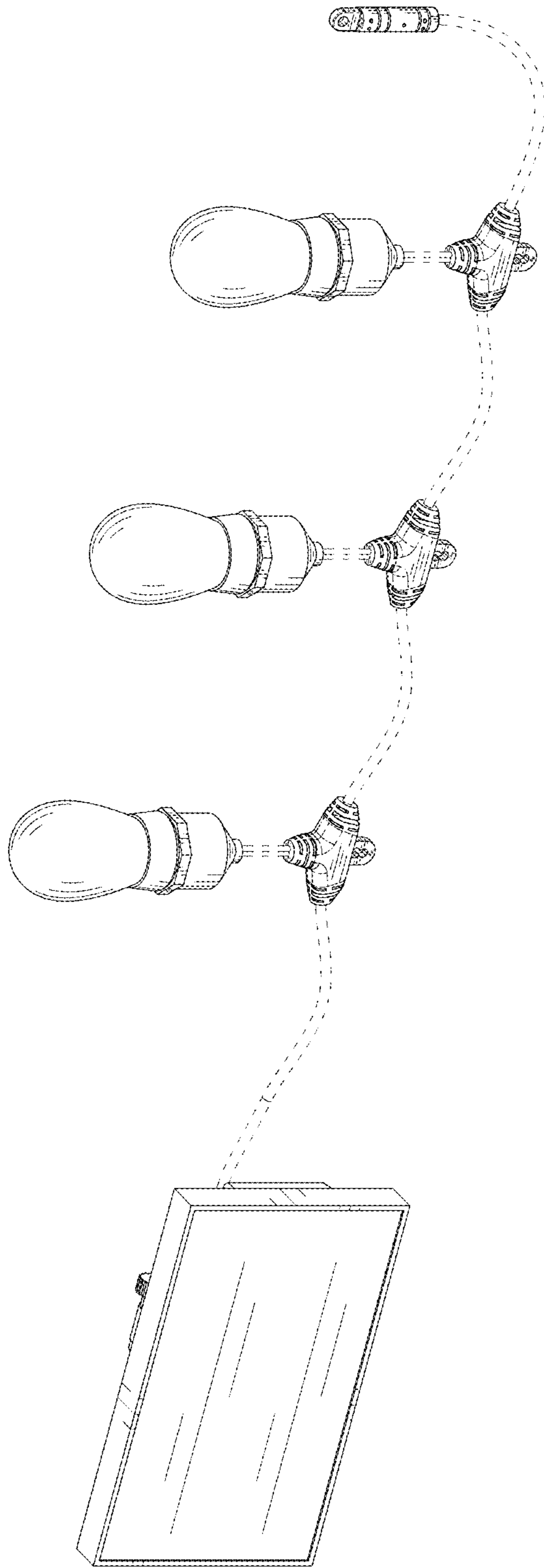


FIG. 7

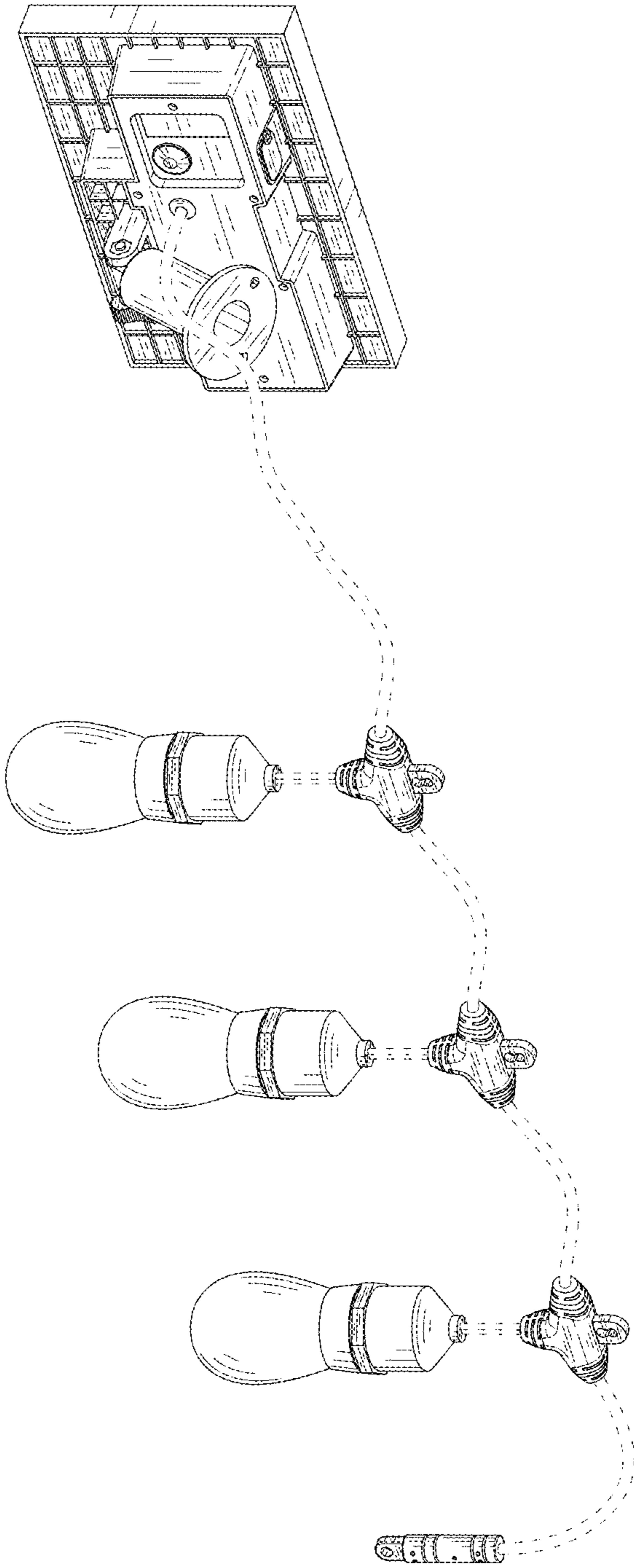


FIG. 8