



US00D978382S

(12) **United States Design Patent**
Frawley et al.

(10) **Patent No.:** **US D978,382 S**

(45) **Date of Patent:** **** Feb. 14, 2023**

(54) **TOP CROSS MAIN BAR FOR A FALSE PLASTERBOARD CEILING**

D609,825 S *	2/2010	Clarke	D25/126
D656,246 S *	3/2012	Hanlon	D25/126
8,327,591 B2 *	12/2012	Wilkinson, Jr.	E04B 9/366
				52/506.07
8,336,843 B2 *	12/2012	Gulbrandsen	E04B 9/065
				24/537
8,955,273 B1 *	2/2015	Lehane, Jr.	E04B 9/122
				52/506.07
8,955,998 B2 *	2/2015	Wong	F21S 8/06
				362/217.05
10,900,222 B2 *	1/2021	Smith	E04B 1/86

(71) Applicant: **A-Line Partitions Holdings Pty. Ltd.**,
Balwyn (AU)

(72) Inventors: **Michael Frawley**, Balwyn (AU);
Patrick Frawley, Balwyn (AU);
Thomas Frawley, Balwyn (AU); **Jerry Frawley**, Balwyn (AU); **Kieran Frawley**, Balwyn (AU); **Caroline O’Sullivan**, Balwyn (AU)

* cited by examiner

(73) Assignee: **A-LINE PARTITIONS HOLDINGS PTY. LTD.**, Balwyn (AU)

Primary Examiner — Doris Clark

(74) *Attorney, Agent, or Firm* — Pete Adams Law, PLLC

(**) Term: **15 Years**

(21) Appl. No.: **29/786,752**

(57) **CLAIM**

(22) Filed: **Jun. 2, 2021**

The ornamental design for a top cross main bar for a false plasterboard ceiling, as shown and described.

(51) **LOC (14) Cl.** **25-01**

(52) **U.S. Cl.**
USPC **D25/126**

(58) **Field of Classification Search**
USPC D25/126, 60, 134; D8/377
CPC . E04B 9/006; E04B 9/008; E04B 9/06; E04B 9/064; E04B 9/18; E04B 9/22; E04B 9/225; E04B 9/24; E04B 9/242; E04B 1/5818

DESCRIPTION

See application file for complete search history.

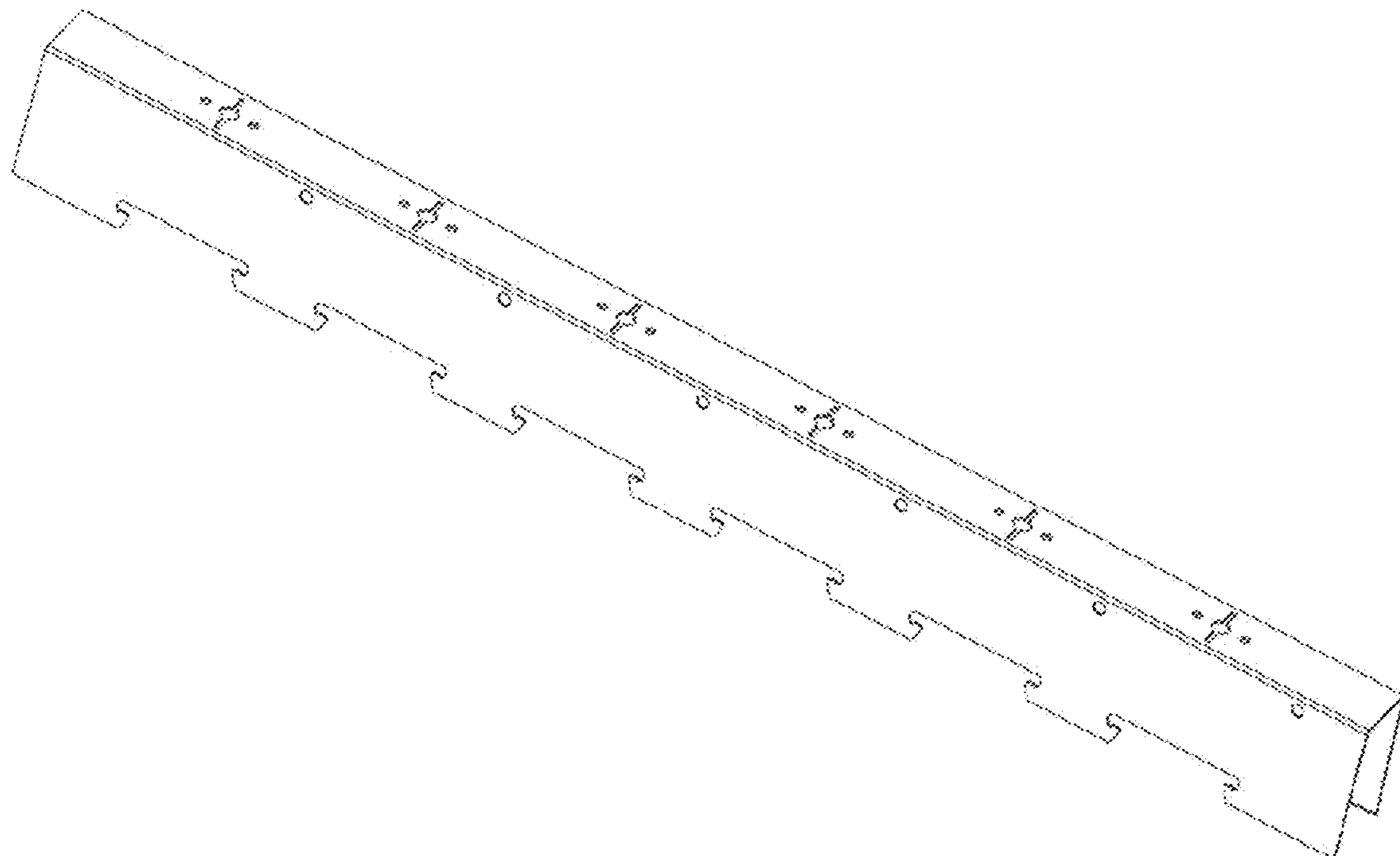
FIG. 1 is a perspective view of the top cross main bar for a false plasterboard ceiling;
FIG. 2 is a front view thereof;
FIG. 3 is a rear view thereof;
FIG. 4 is a top view thereof;
FIG. 5 is a bottom view thereof;
FIG. 6 is a right side view thereof; and,
FIG. 7 is a left side view thereof.

(56) **References Cited**

U.S. PATENT DOCUMENTS

5,619,833 A * 4/1997 Neff E04B 9/30
52/506.07

1 Claim, 1 Drawing Sheet



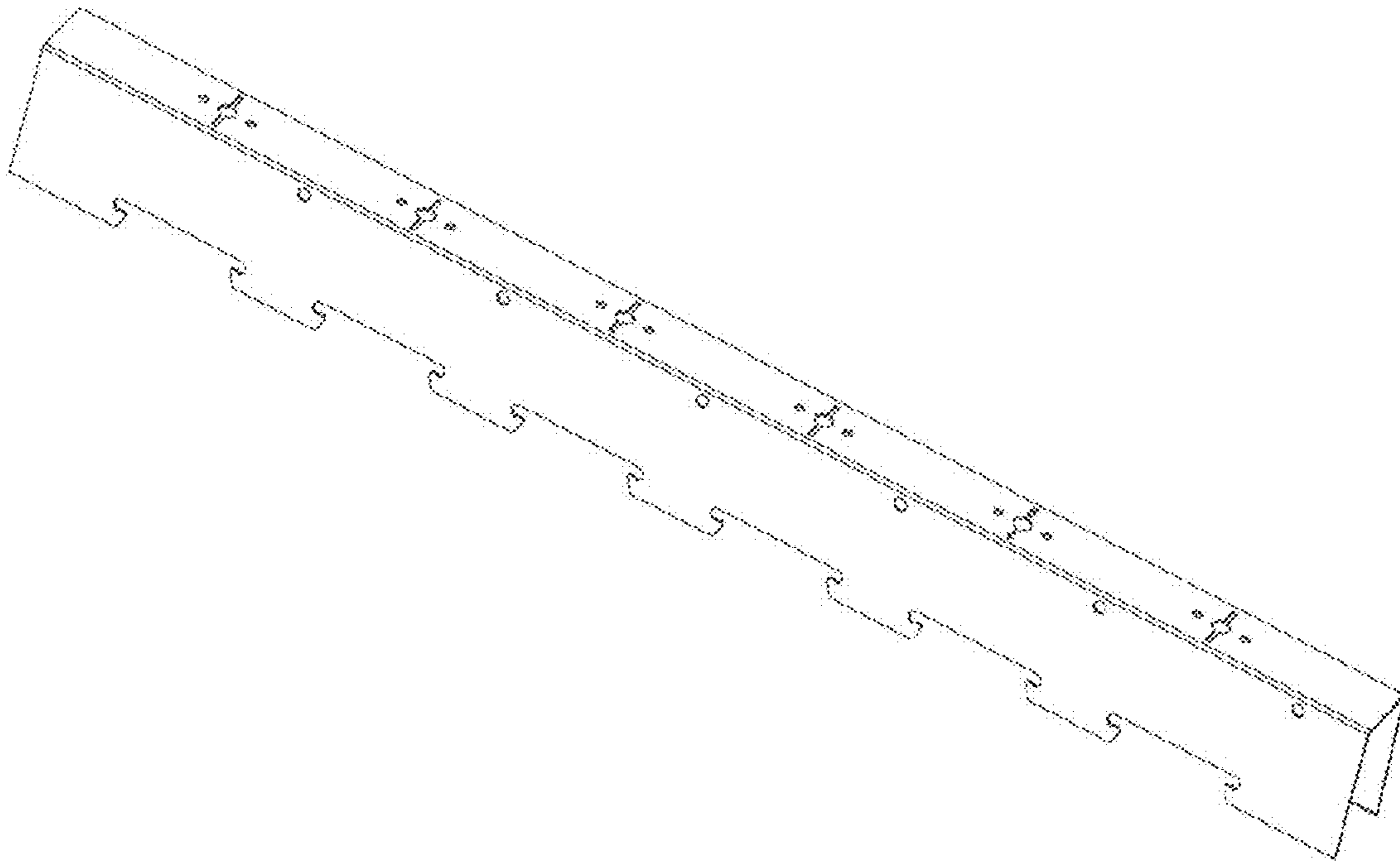


FIG. 1

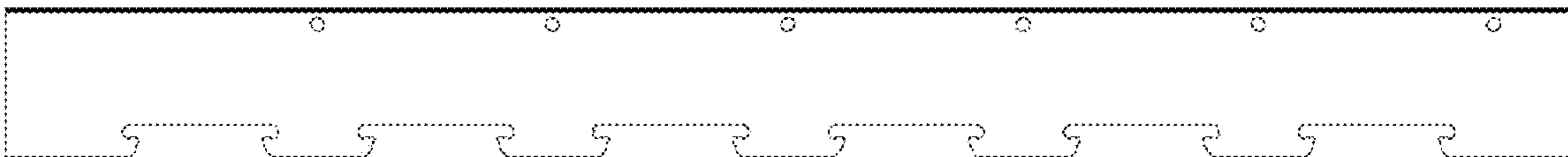


FIG. 2

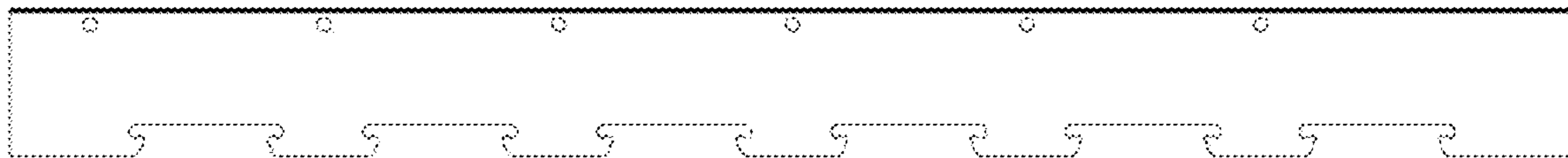


FIG. 3



FIG. 4



FIG. 5

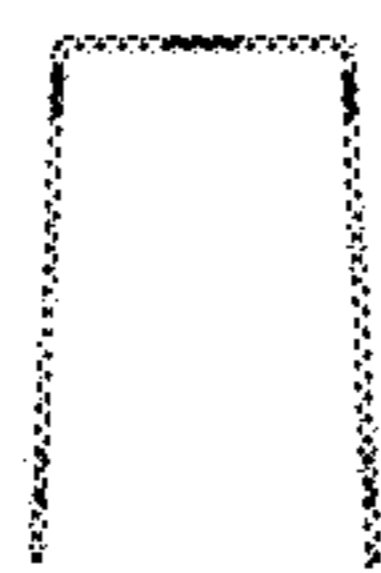


FIG. 6



FIG. 7