



US00D978381S

(12) **United States Design Patent**  
**Rosan**

(10) **Patent No.:** **US D978,381 S**  
(45) **Date of Patent:** **\*\* Feb. 14, 2023**

(54) **WALL FRAME CORNER COMPONENT**

(71) Applicant: **Versare Solutions LLC**, Minneapolis, MN (US)

(72) Inventor: **Arnon Rosan**, New York, NY (US)

(73) Assignee: **Versare Solutions LLC**, Minneapolis, MN (US)

(\*\*) Term: **15 Years**

(21) Appl. No.: **29/783,075**

(22) Filed: **May 11, 2021**

**Related U.S. Application Data**

(62) Division of application No. 29/702,719, filed on Aug. 21, 2019, now Pat. No. Des. 922,616.

(51) **LOC (14) Cl.** ..... **25-01**

(52) **U.S. Cl.**  
USPC ..... **D25/61**

(58) **Field of Classification Search**  
USPC ..... D8/349, 354, 373, 382, 384;  
D21/468-475, 478, 479, 483-491, 493,  
(Continued)

(56) **References Cited**

**U.S. PATENT DOCUMENTS**

1,633,193 A \* 6/1927 Reagan ..... E04B 2/14  
52/100  
1,649,367 A \* 11/1927 Reagan ..... E04B 2/14  
52/100

(Continued)

**FOREIGN PATENT DOCUMENTS**

EM 006553699-0001 6/2019  
EM 006553699-0002 6/2019

(Continued)

**OTHER PUBLICATIONS**

United States Patent and Trademark Office; Office Action; Office Action from U.S. Appl. No. 29/672,868; pp. 1-33; publisher United

States Patent and Trademark Office; published Alexandria, Virginia, USA; copyright and dated Jan. 17, 2020; (33 pages).

(Continued)

*Primary Examiner* — Leanne Was-Englehart

(74) *Attorney, Agent, or Firm* — Metz Lewis Brodman  
Must O'Keefe LLC

(57) **CLAIM**

The ornamental design for a wall frame corner component, as shown and described.

**DESCRIPTION**

FIG. 1 is a top front perspective view of a first embodiment of a wall frame corner component showing my new design; FIG. 2 is a top back perspective of the wall frame corner component of FIG. 1; FIG. 3 is a bottom perspective view of the wall frame corner component of FIG. 1; FIG. 4 is a top plan view of the wall frame corner component of FIG. 1; FIG. 5 is a bottom plan view of the wall frame corner component of FIG. 1; FIG. 6 is a front elevation view of the wall frame corner component of FIG. 1; FIG. 7 is a right side elevation view of the wall frame corner component of FIG. 1; FIG. 8 is a back elevation view of the wall frame corner component of FIG. 1; FIG. 9 is a left side elevation view of the wall frame corner component of FIG. 1; FIG. 10 is a top front perspective view of a second embodiment of a wall frame corner component showing my new design; FIG. 11 is a top back perspective of the wall frame corner component of FIG. 10; FIG. 12 is a bottom perspective view of the wall frame corner component of FIG. 10; FIG. 13 is a top plan view of the wall frame corner component of FIG. 10; FIG. 14 is a bottom plan view of the wall frame corner component of FIG. 10;

(Continued)

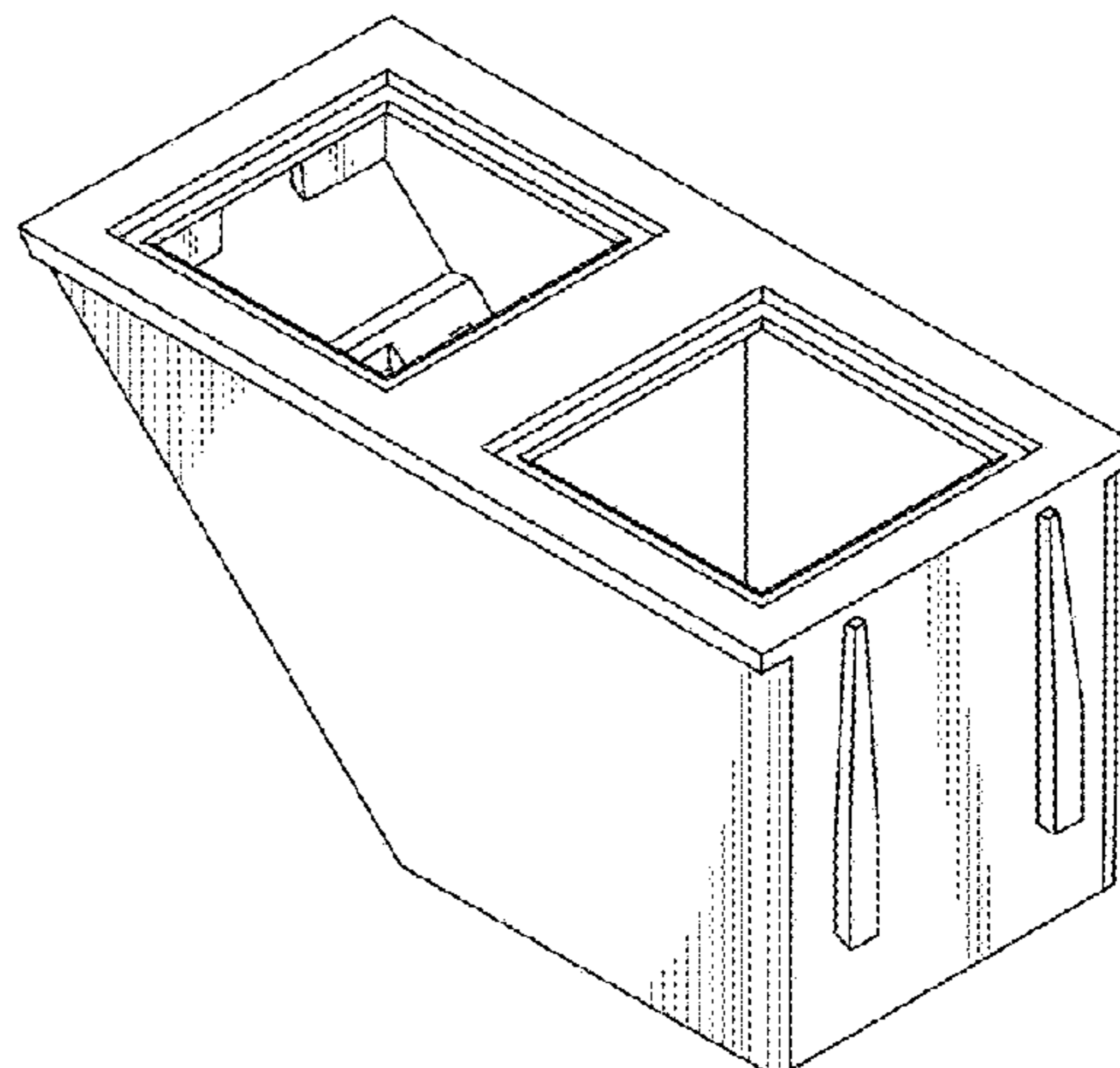
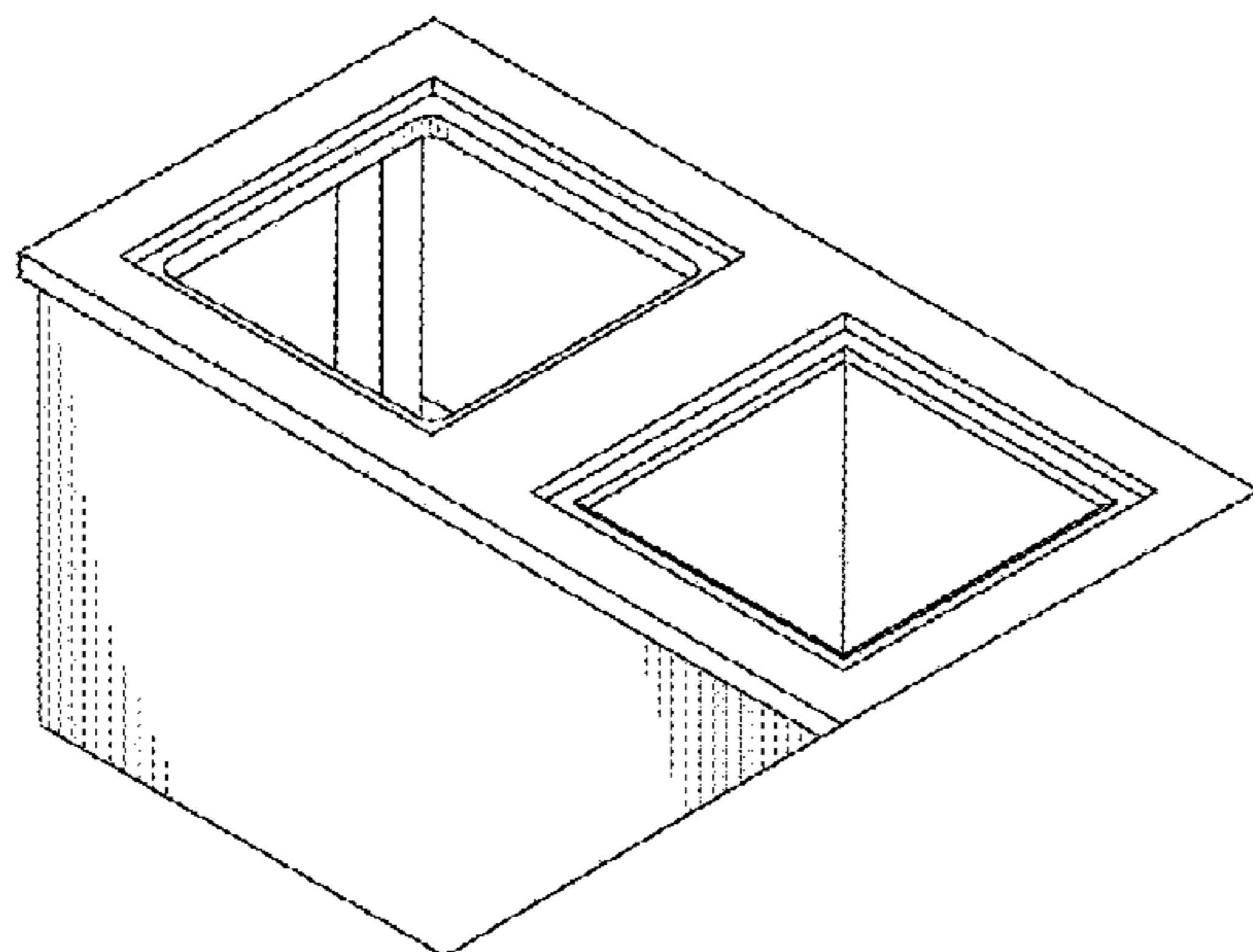


FIG. 15 is a front elevation view of the wall frame corner component of FIG. 10;  
 FIG. 16 is a right side elevation view of the wall frame corner component of FIG. 10;  
 FIG. 17 is a back elevation view of the wall frame corner component of FIG. 10; and,  
 FIG. 18 is a left side elevation view of the wall frame corner component of FIG. 10.

**1 Claim, 7 Drawing Sheets**

(58) **Field of Classification Search**

USPC ..... D21/494, 499–502, 504, 505; D25/60, D25/61, 113–115, 118, 133, 135, 136, D25/138, 152, 153, 156–158, 164, 199  
 CPC ..... E04B 2/06; E04B 2/14; E04B 2/16; E04B 2/44; E04B 2002/0204; E04B 2002/0219; E04C 2/08; E04C 2/14; E04C 2/18; E04C 2/205; E04C 2/22; E04C 1/395; E02D 29/025; Y10S 52/02

See application file for complete search history.

(56) **References Cited**

U.S. PATENT DOCUMENTS

2,019,653 A \* 11/1935 Buyer ..... E04B 2/16  
 52/592.5  
 2,131,803 A 10/1938 Henderson  
 D198,527 S 6/1964 Long  
 D229,384 S \* 11/1973 Groce ..... D8/382  
 D258,344 S \* 2/1981 Hornung ..... D8/380  
 D261,047 S 9/1981 Long  
 5,651,697 A 7/1997 Cinquegrani et al.  
 5,702,208 A \* 12/1997 Hilfiker ..... E02D 17/205  
 405/20  
 D429,822 S \* 8/2000 Jensen ..... D25/118  
 D464,441 S 10/2002 Luaces

6,477,814 B1 11/2002 Kadosh  
 D664,025 S \* 7/2012 Horn ..... D8/354  
 D674,916 S \* 1/2013 Cetindag ..... D25/61  
 D677,800 S 3/2013 Cetindag  
 D686,676 S 7/2013 Telford  
 9,187,895 B2 11/2015 Rodriguez Carassus  
 D769,986 S 10/2016 Timg  
 D783,731 S 4/2017 Rosan  
 D786,586 S 5/2017 Rosan  
 D791,885 S 7/2017 Rosan  
 D800,846 S 10/2017 Rosan  
 D809,162 S 1/2018 Rosan  
 10,196,826 B1 2/2019 Rosan  
 D846,657 S 4/2019 Molgaard  
 D893,757 S \* 8/2020 Rosan ..... D25/138  
 D917,723 S \* 4/2021 Rosan ..... D25/61  
 D922,616 S \* 6/2021 Rosan ..... D25/61  
 2008/0216436 A1 \* 9/2008 Rodriguez Carassus .....  
 E04B 2/44  
 52/588.1  
 2011/0225909 A1 \* 9/2011 Rodriguez Carassus .....  
 E04B 2/44  
 52/261  
 2015/0107176 A1 \* 4/2015 Cetindag ..... E04B 1/92  
 52/309.16  
 2015/0159371 A1 \* 6/2015 Rodriguez Carassus .....  
 E04B 2/44  
 52/204.2

FOREIGN PATENT DOCUMENTS

EM 006553699-0003 6/2019  
 KR 300564107.0002 10/2010  
 WO D099938-006 8/2018

OTHER PUBLICATIONS

Best-Rite Fabric Standard Modular Panel, 6'x5', Gray; Staples website, Dec. 7, 2018 (7 pages); [https://www.staples.com/Best-Rite-Fabric-Standard-Modular-Panal-6x5-Gary/product\\_302619](https://www.staples.com/Best-Rite-Fabric-Standard-Modular-Panal-6x5-Gary/product_302619).

\* cited by examiner

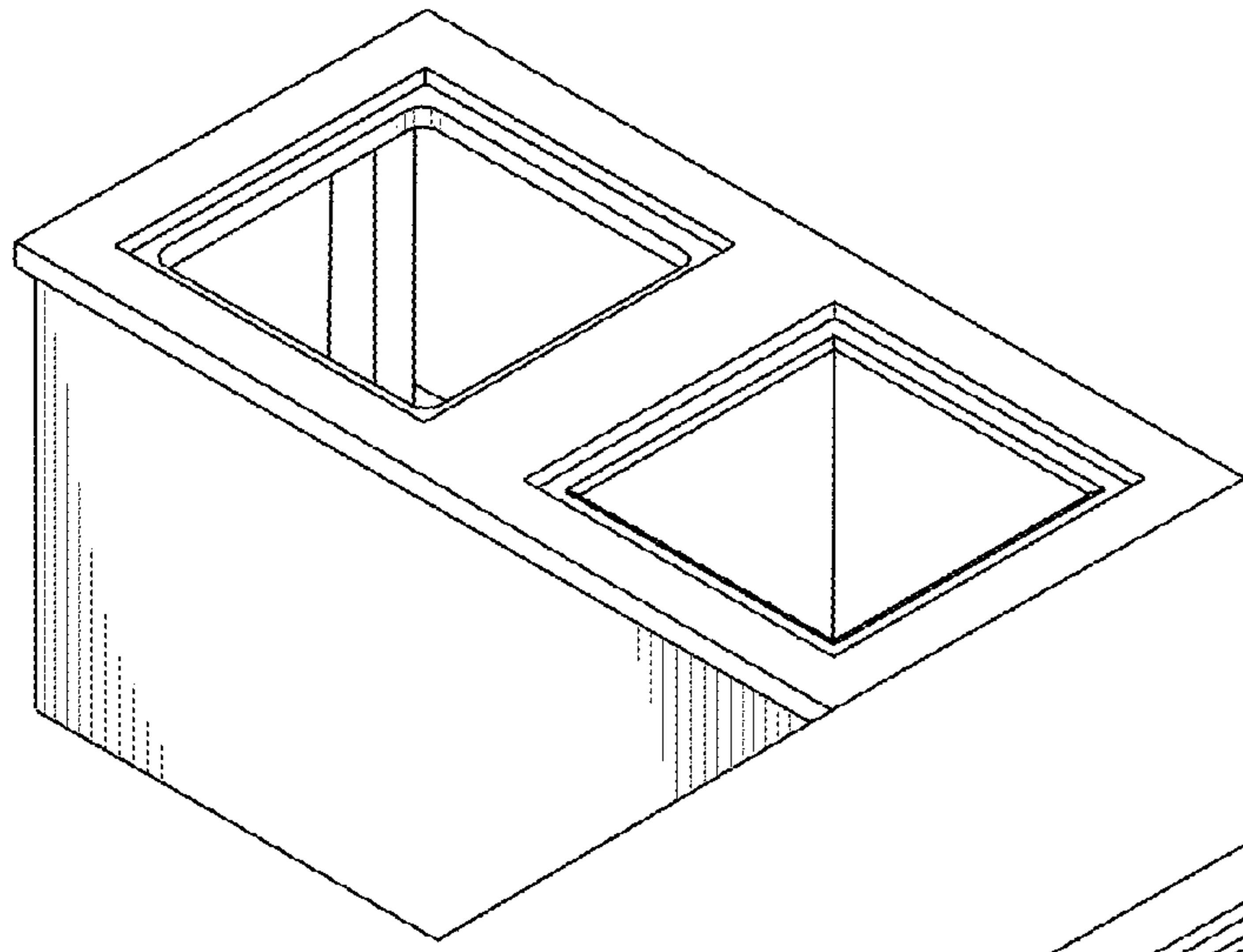


FIG. 1

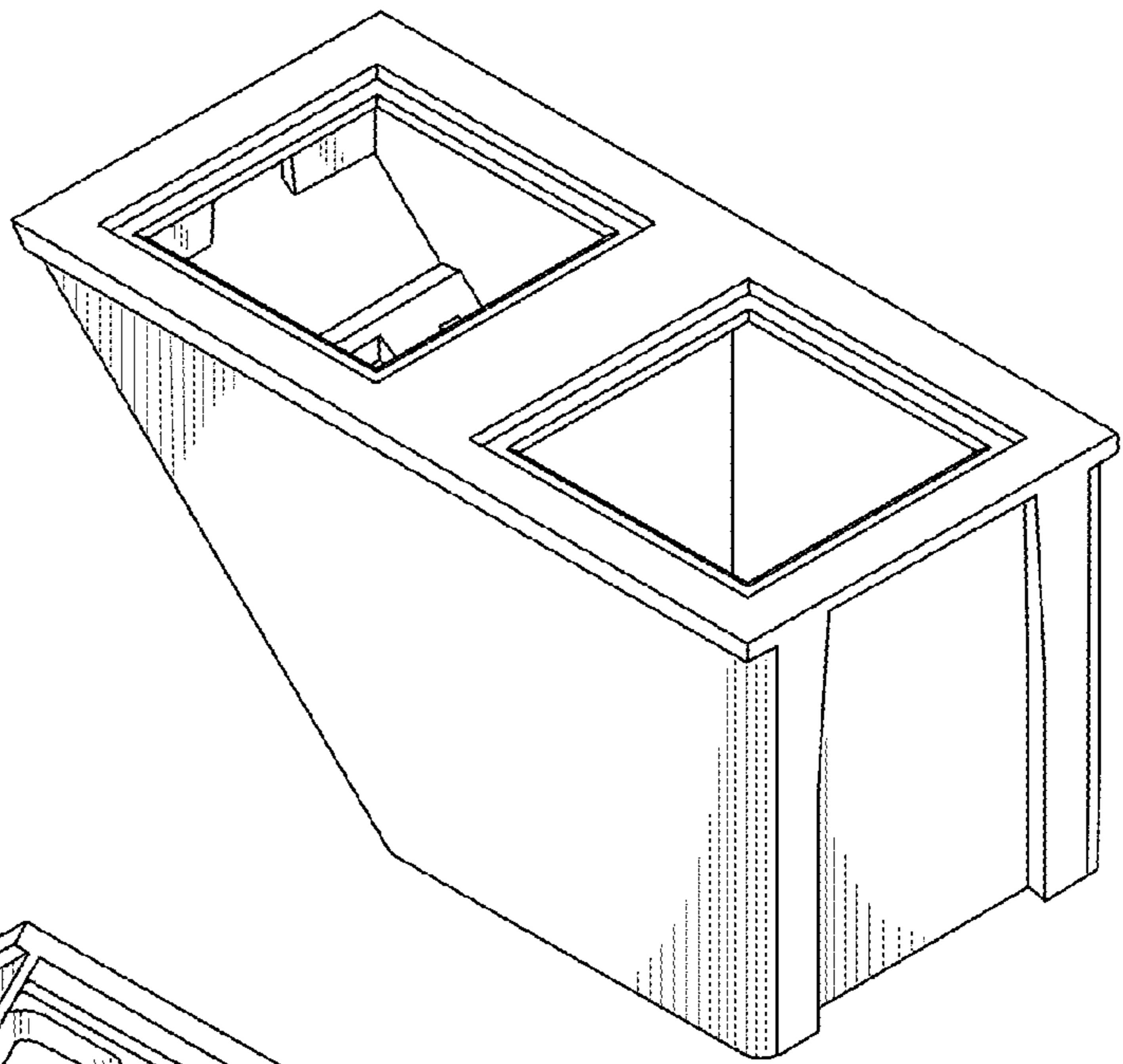


FIG. 2

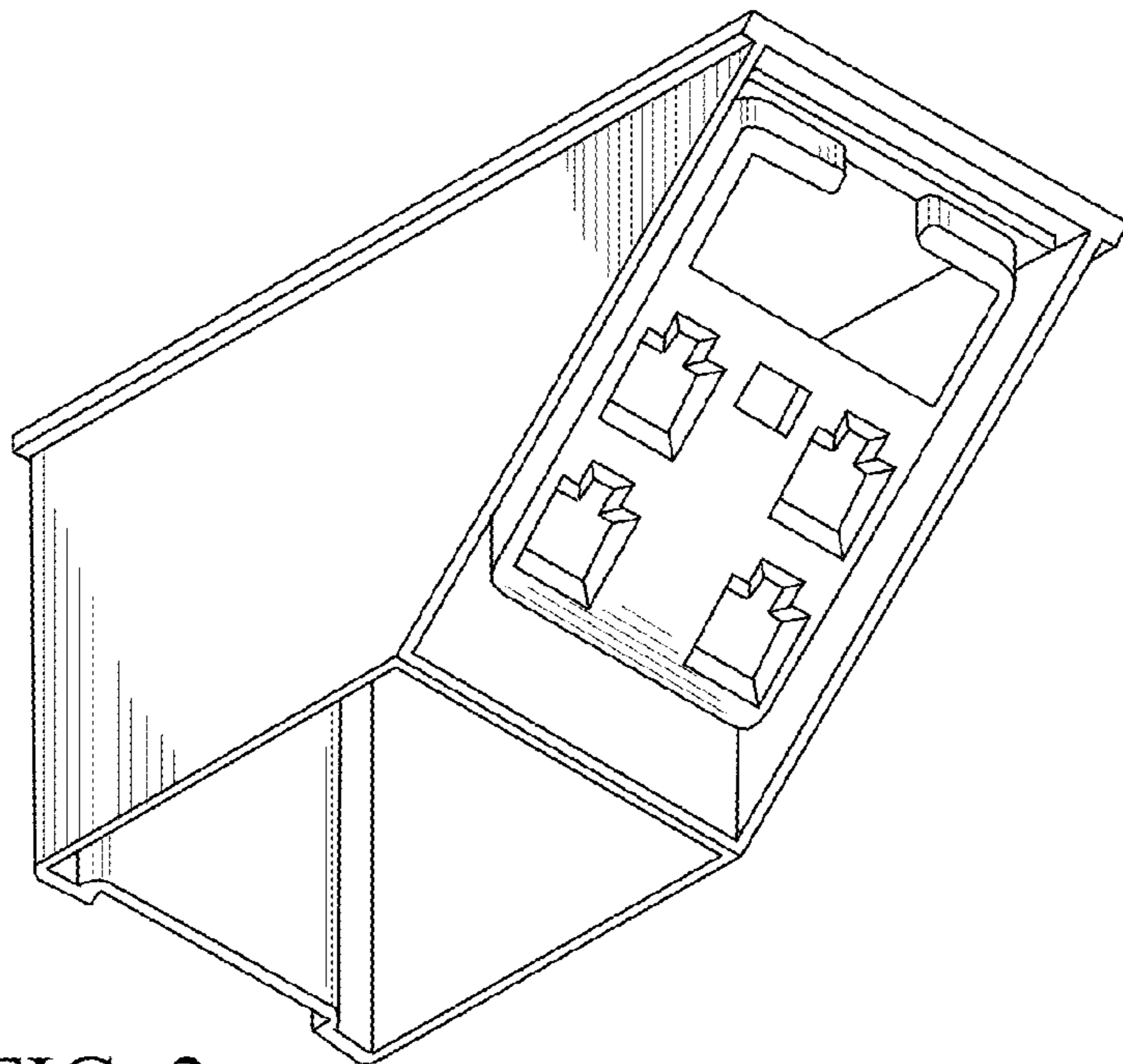


FIG. 3

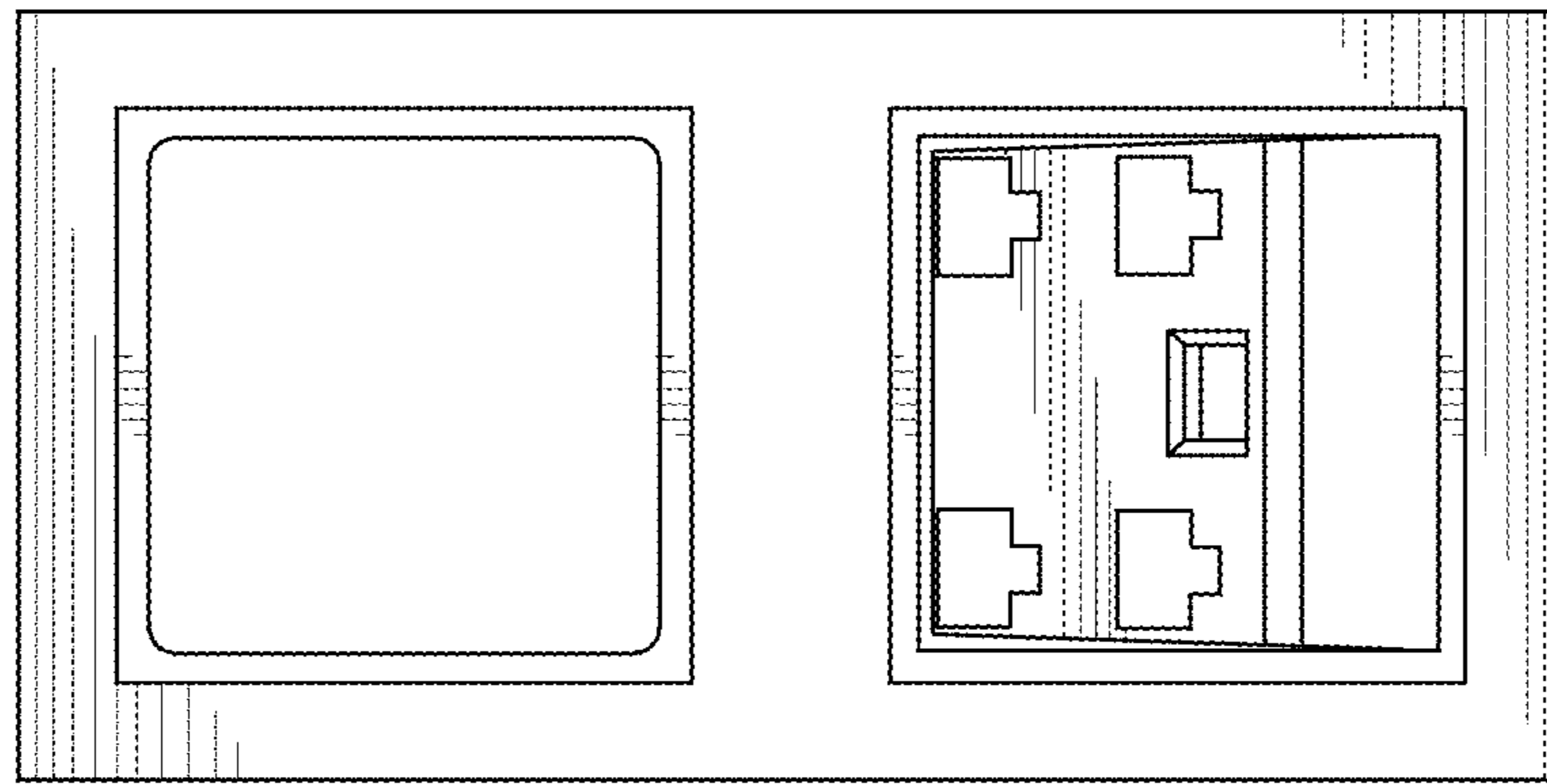


FIG. 4

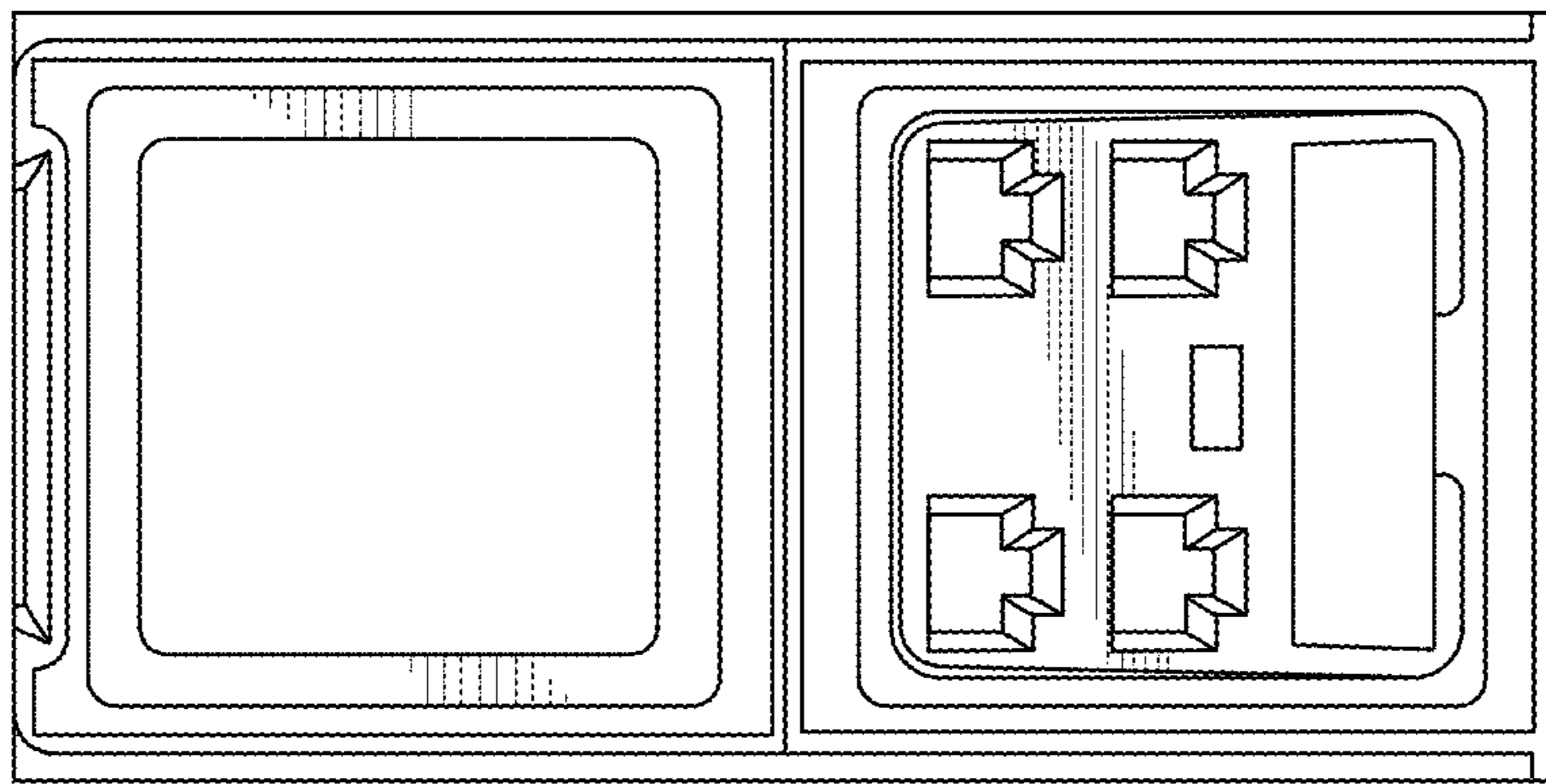


FIG. 5

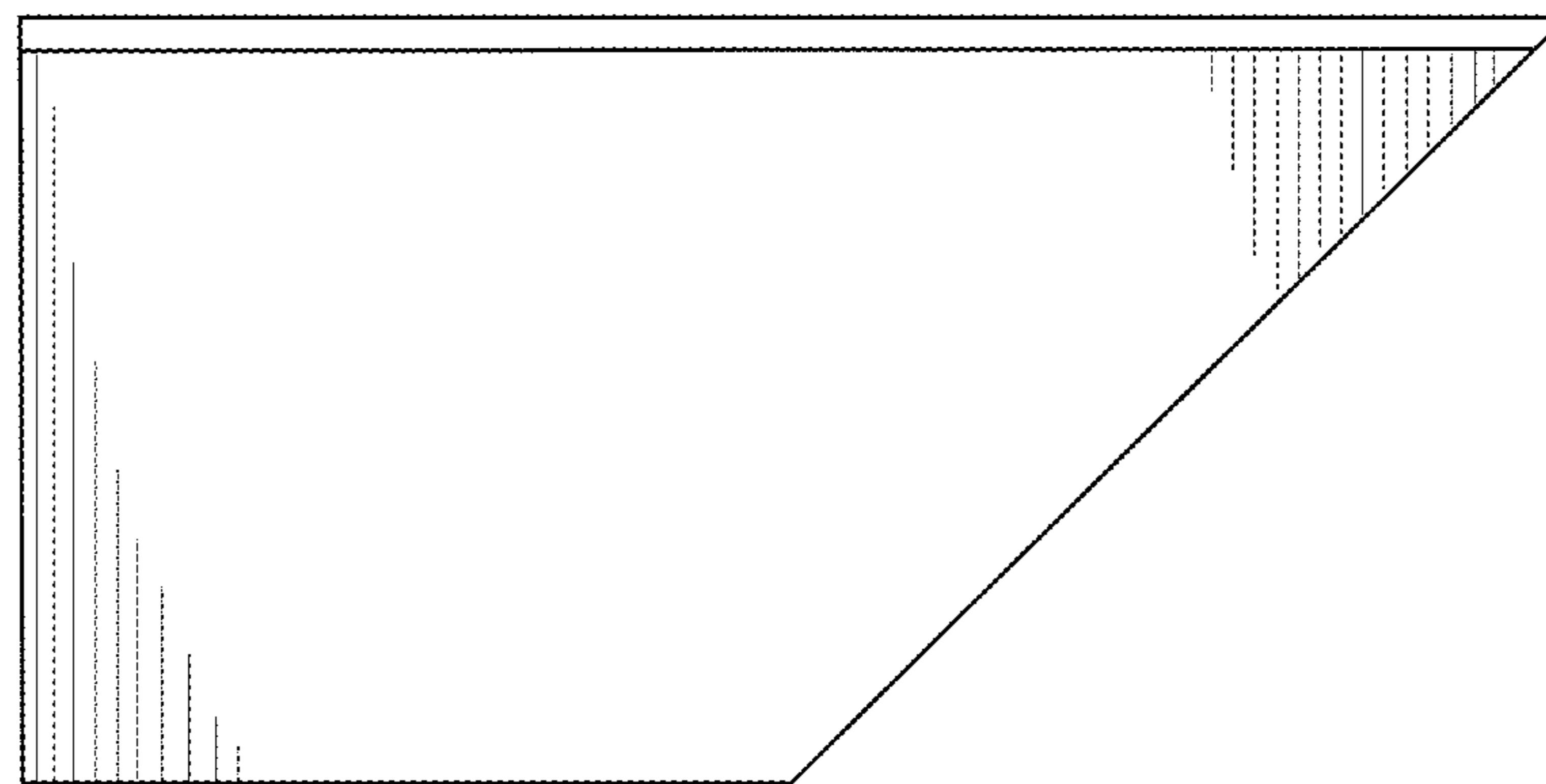


FIG. 6

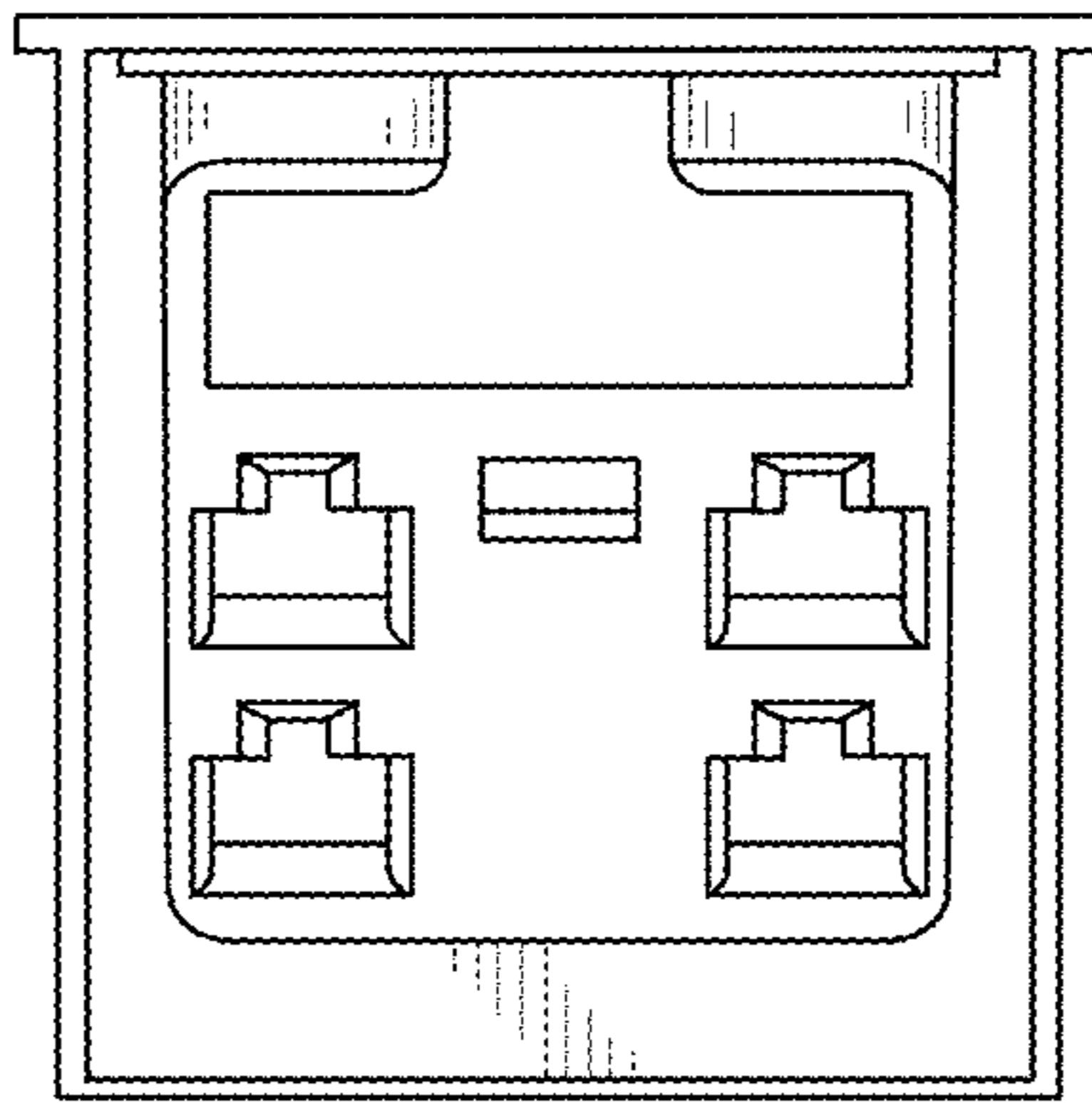


FIG. 7

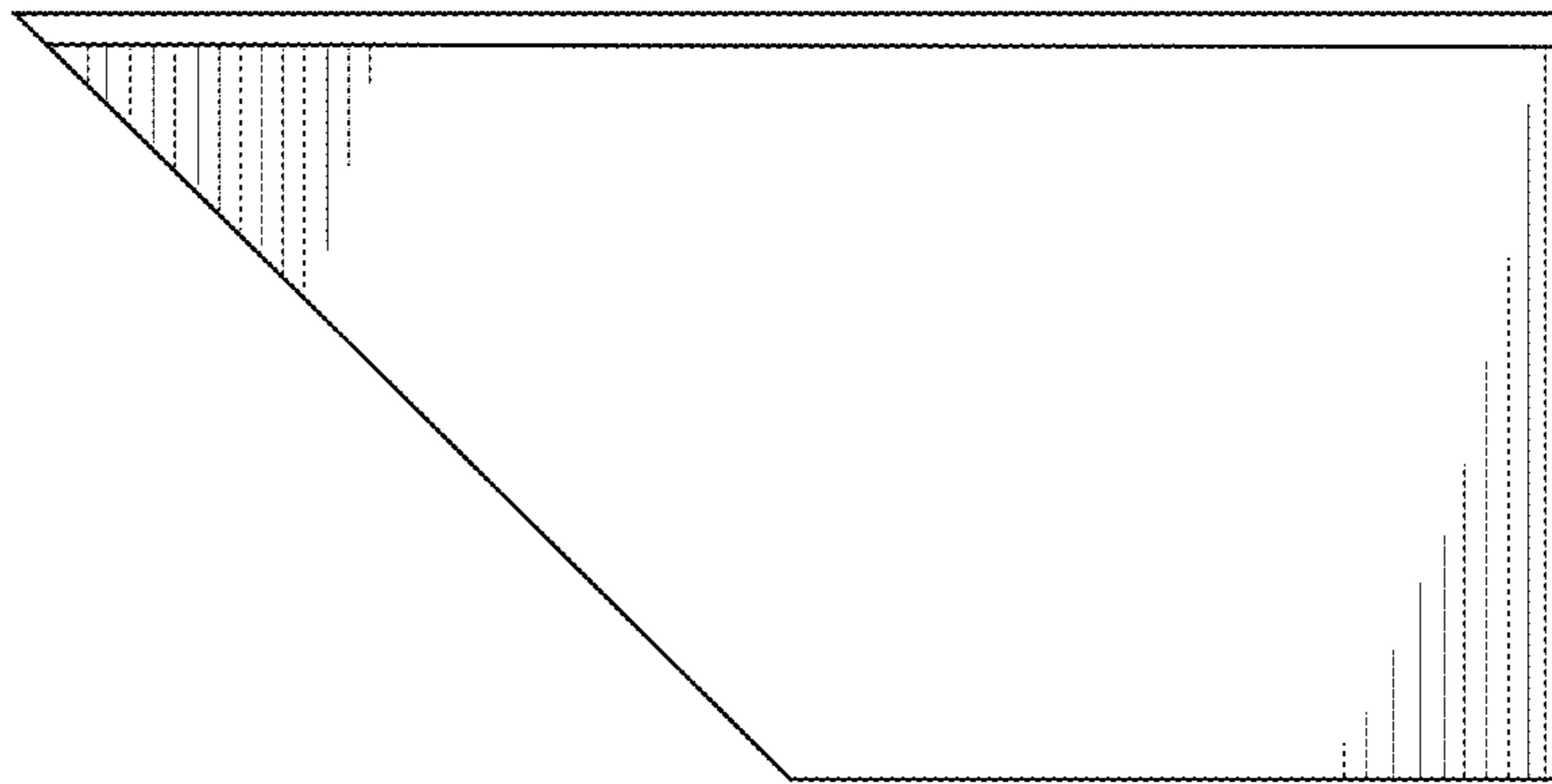


FIG. 8

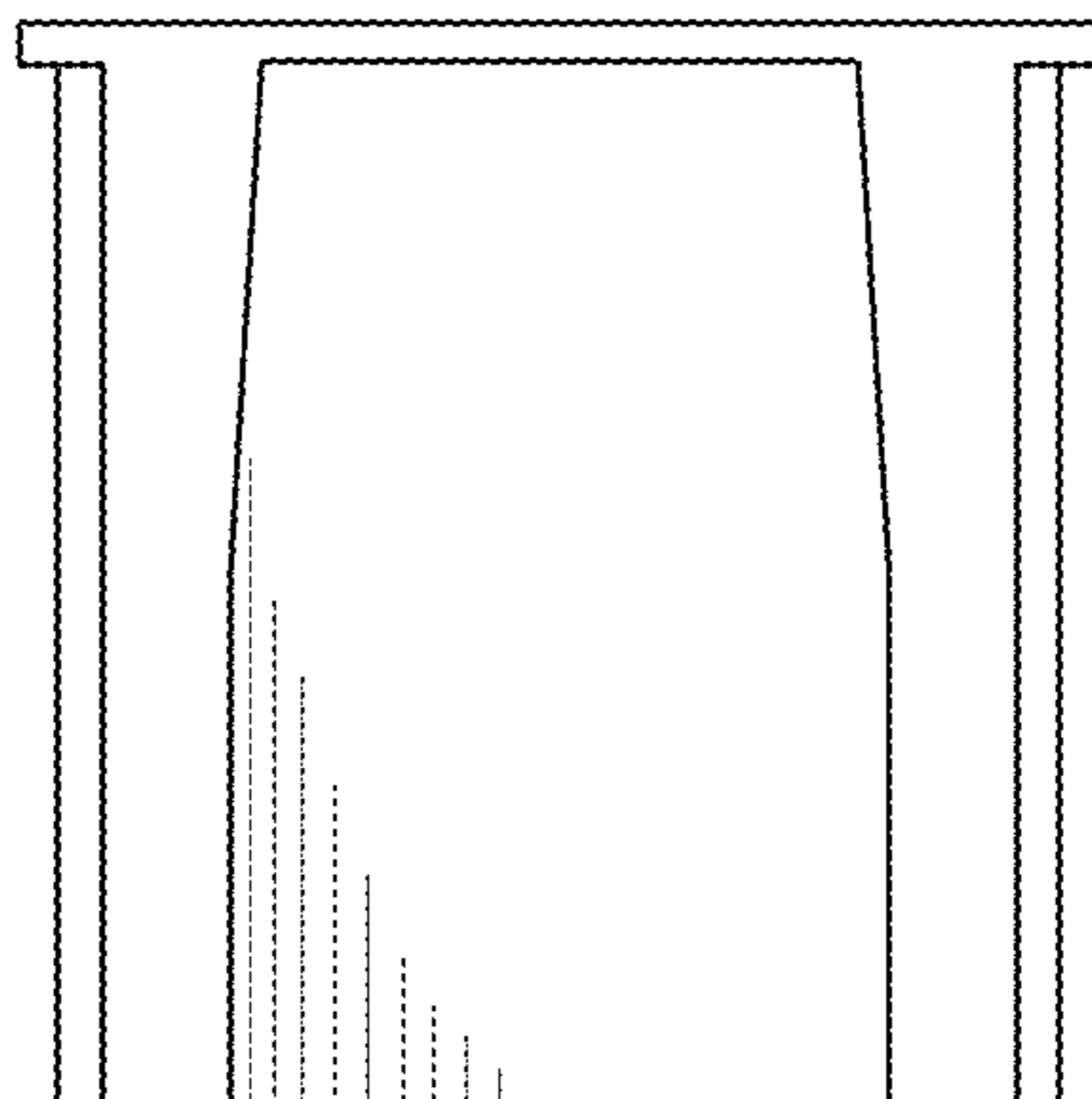


FIG. 9

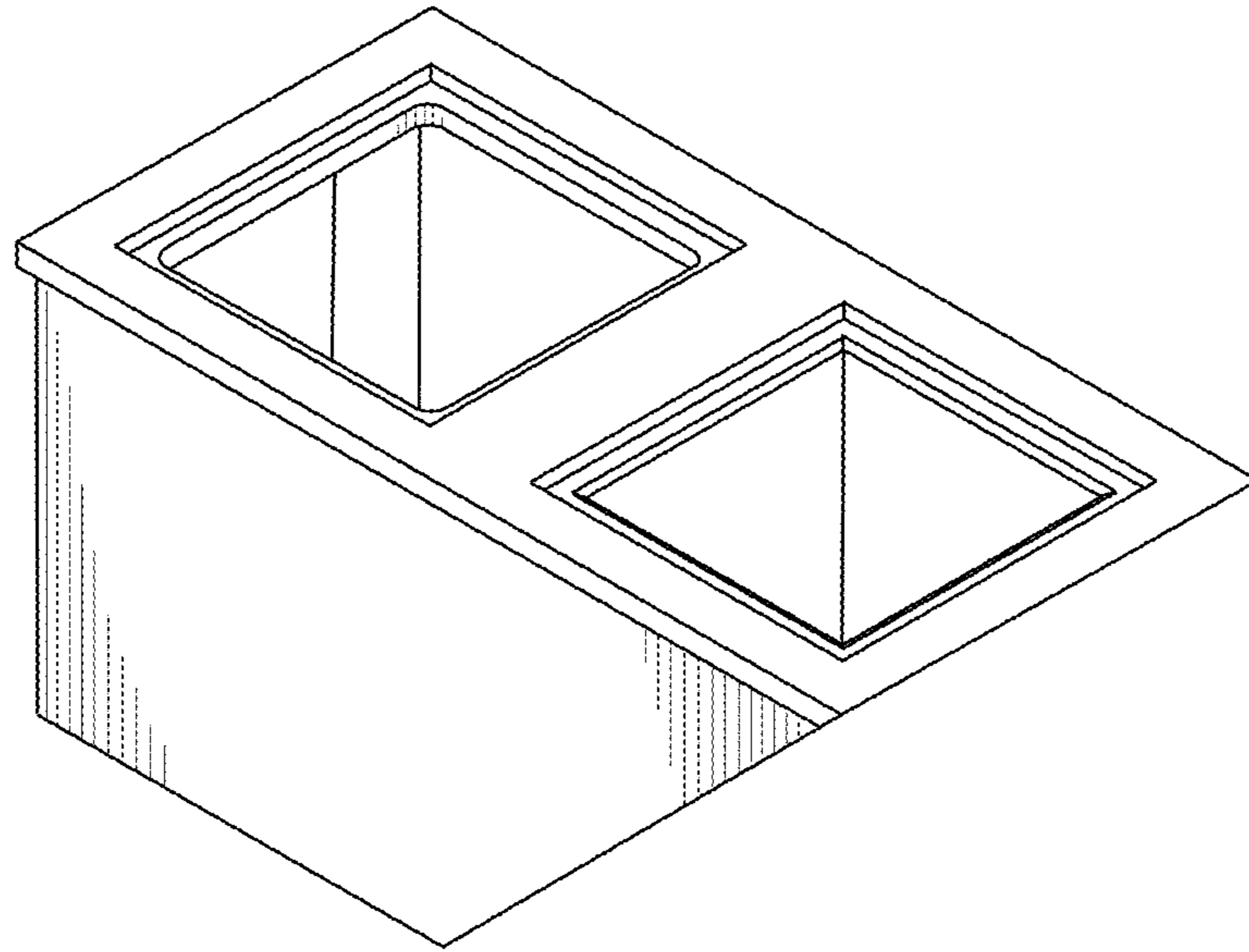


FIG. 10

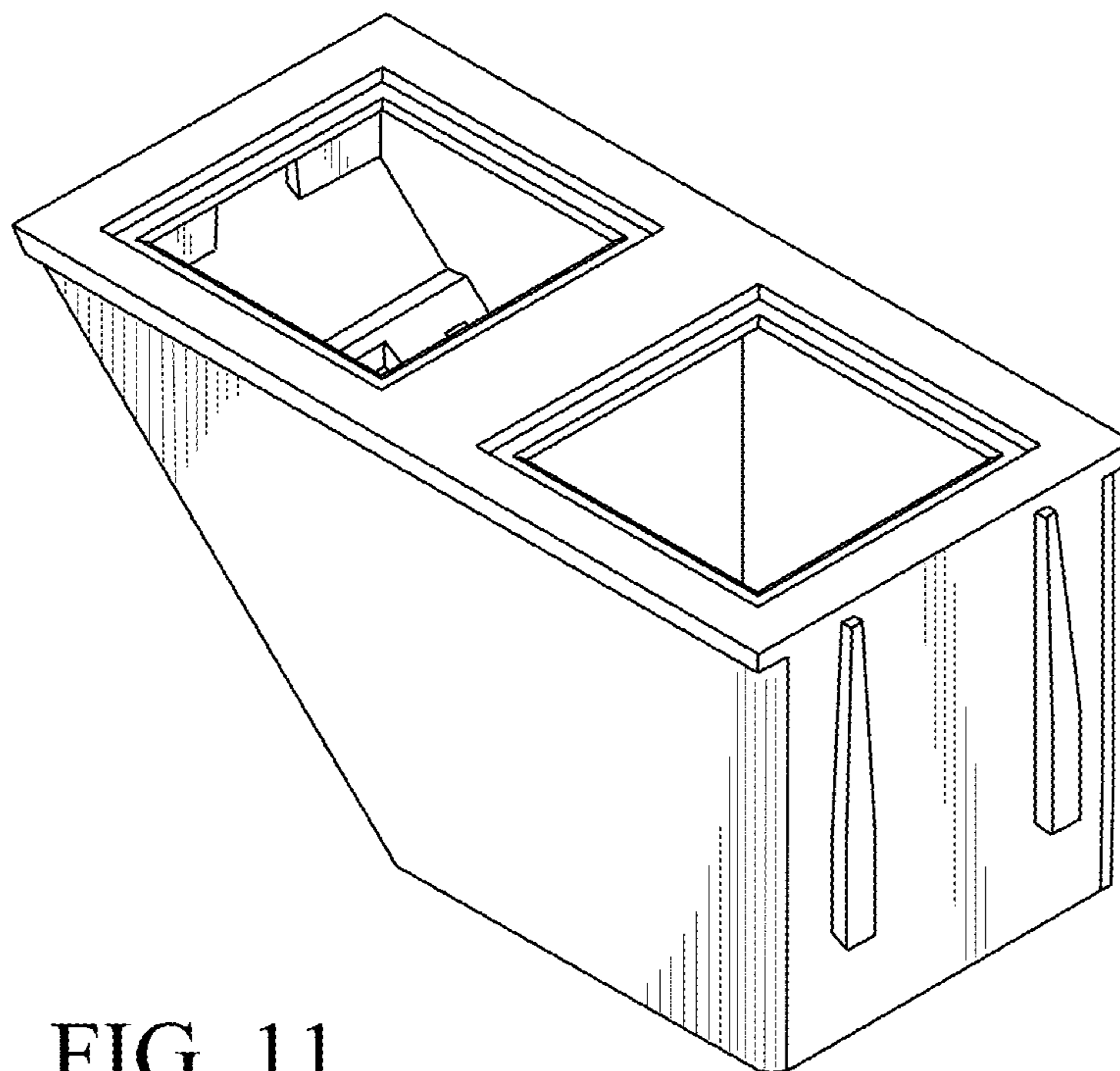


FIG. 11

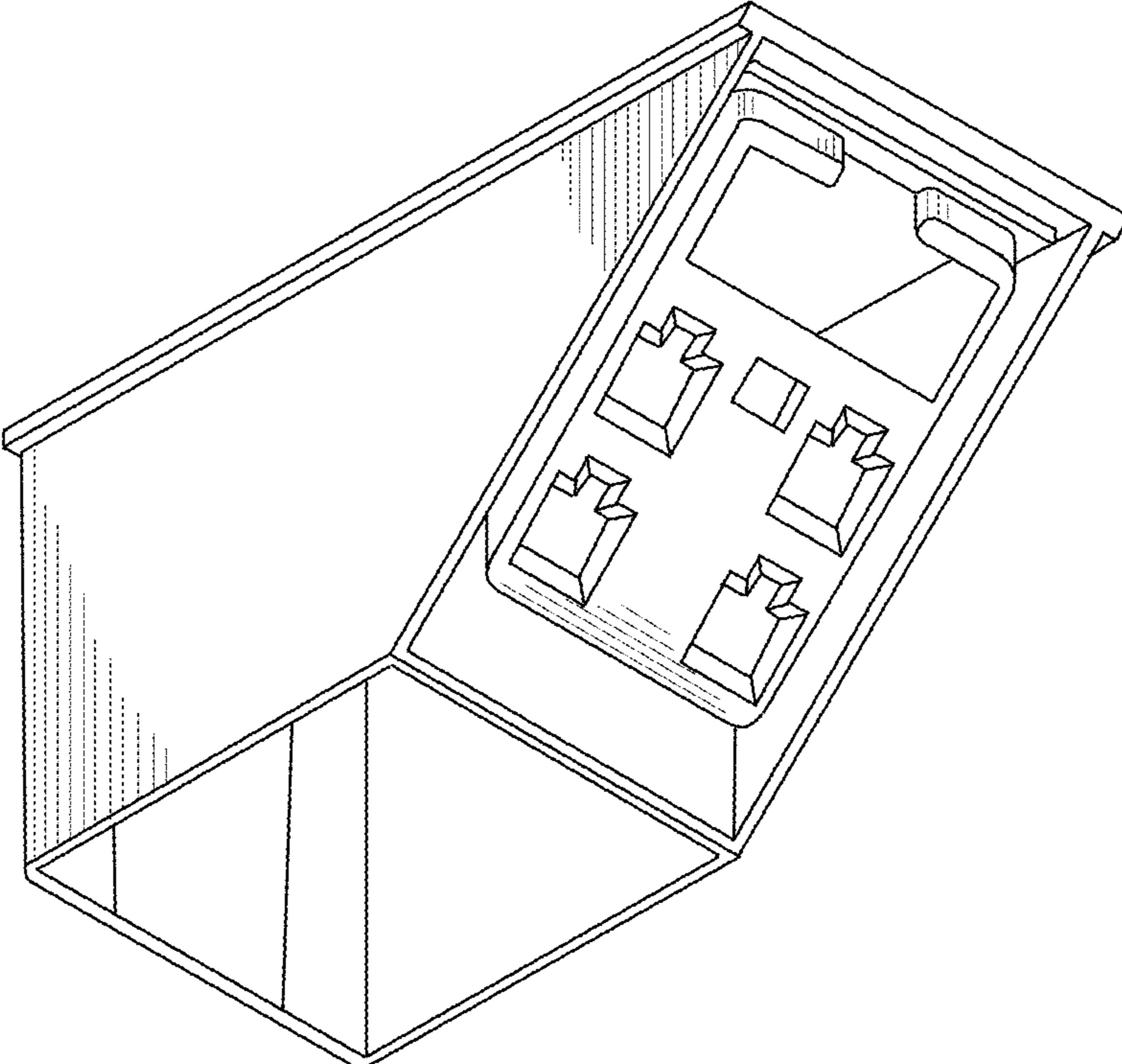


FIG. 12

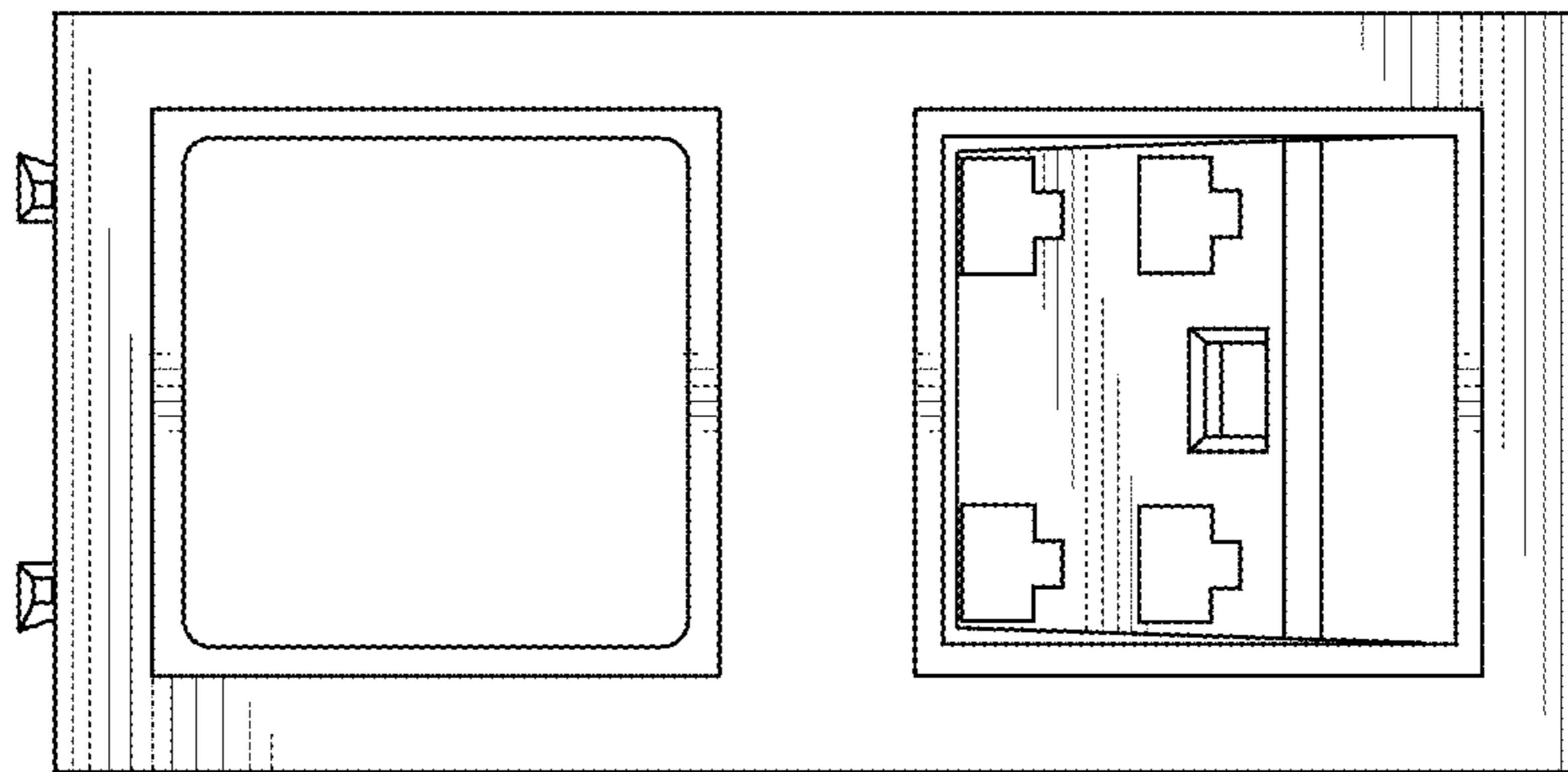


FIG. 13

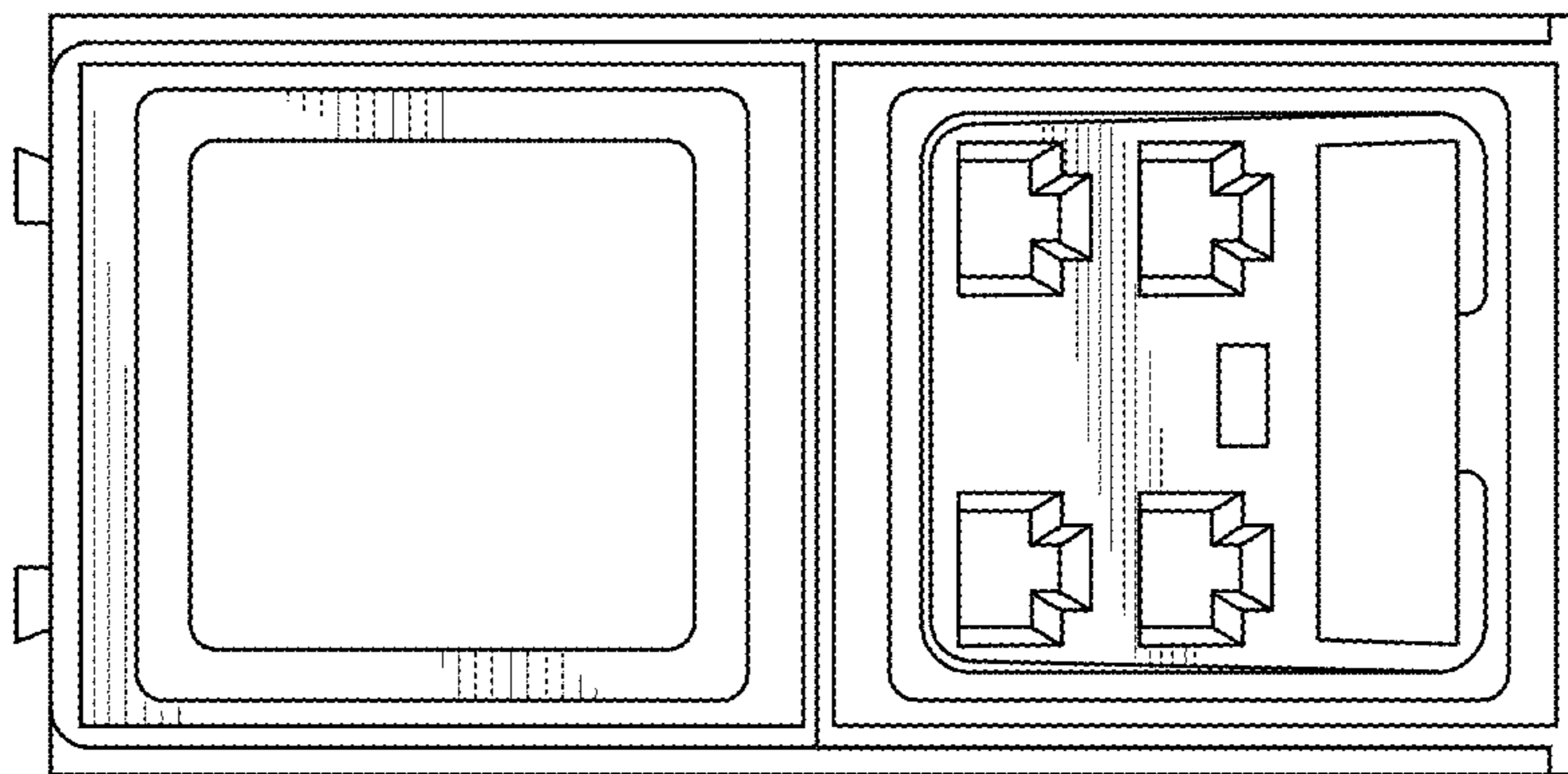


FIG. 14

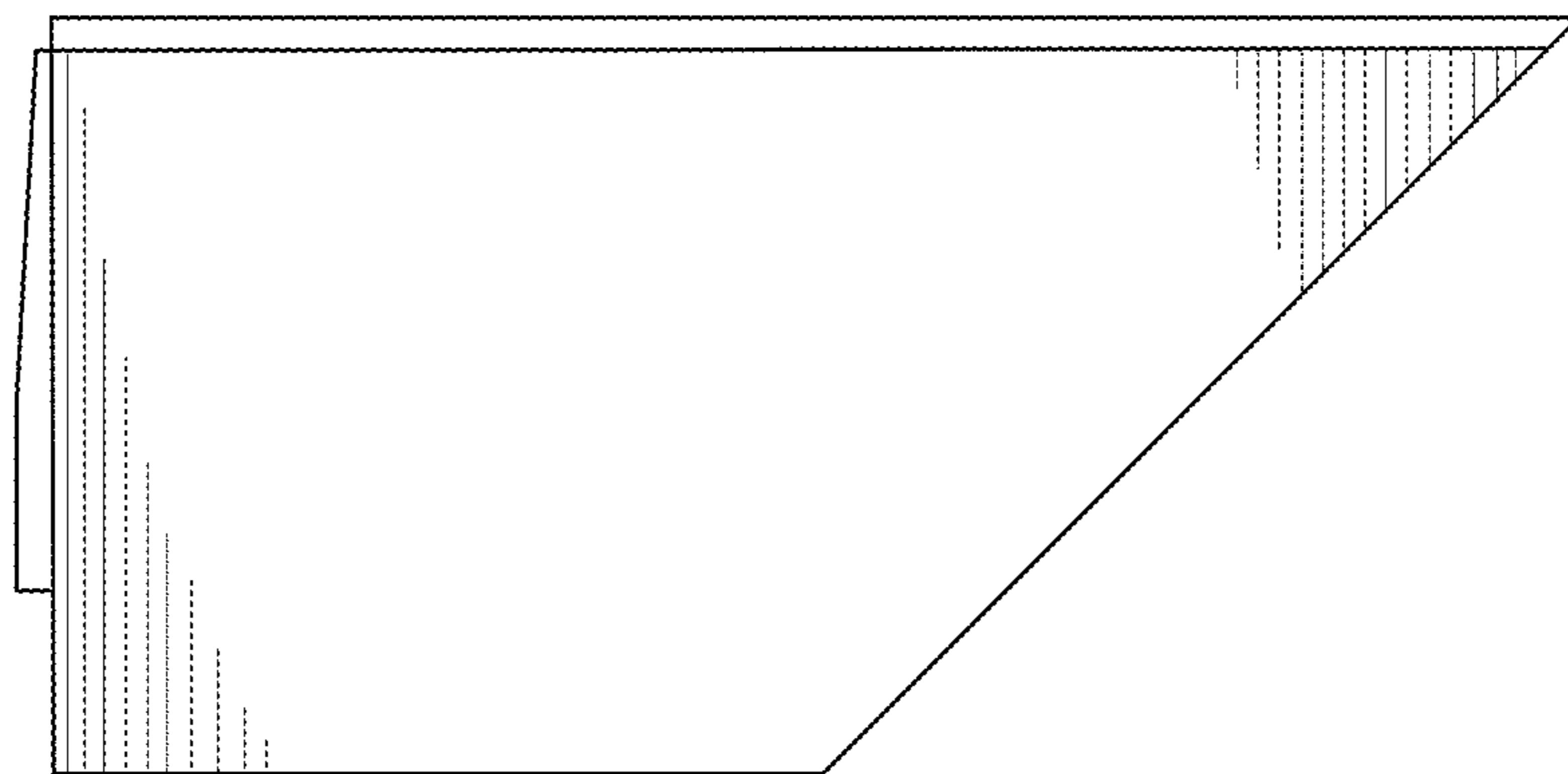


FIG. 15



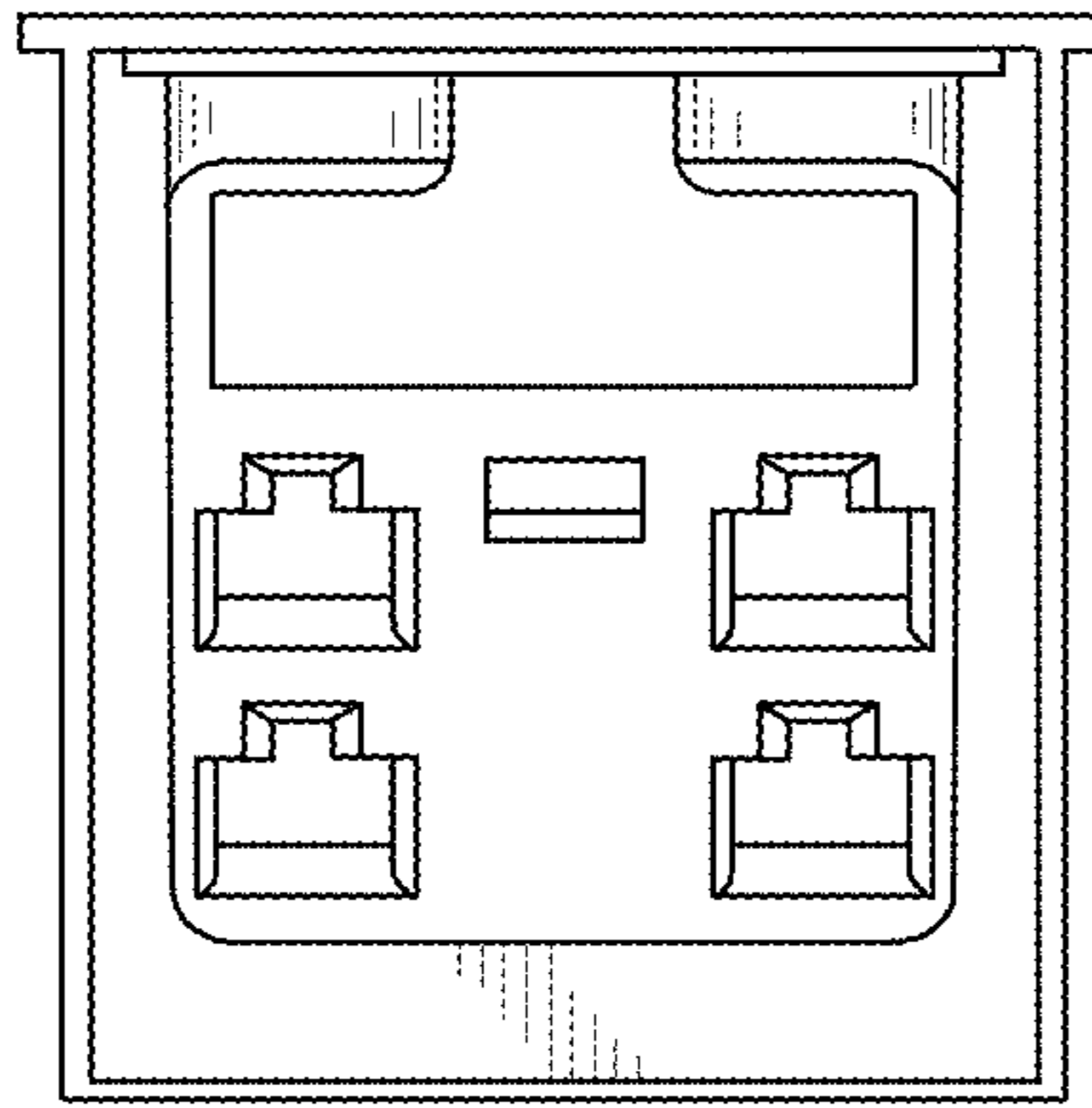


FIG. 16

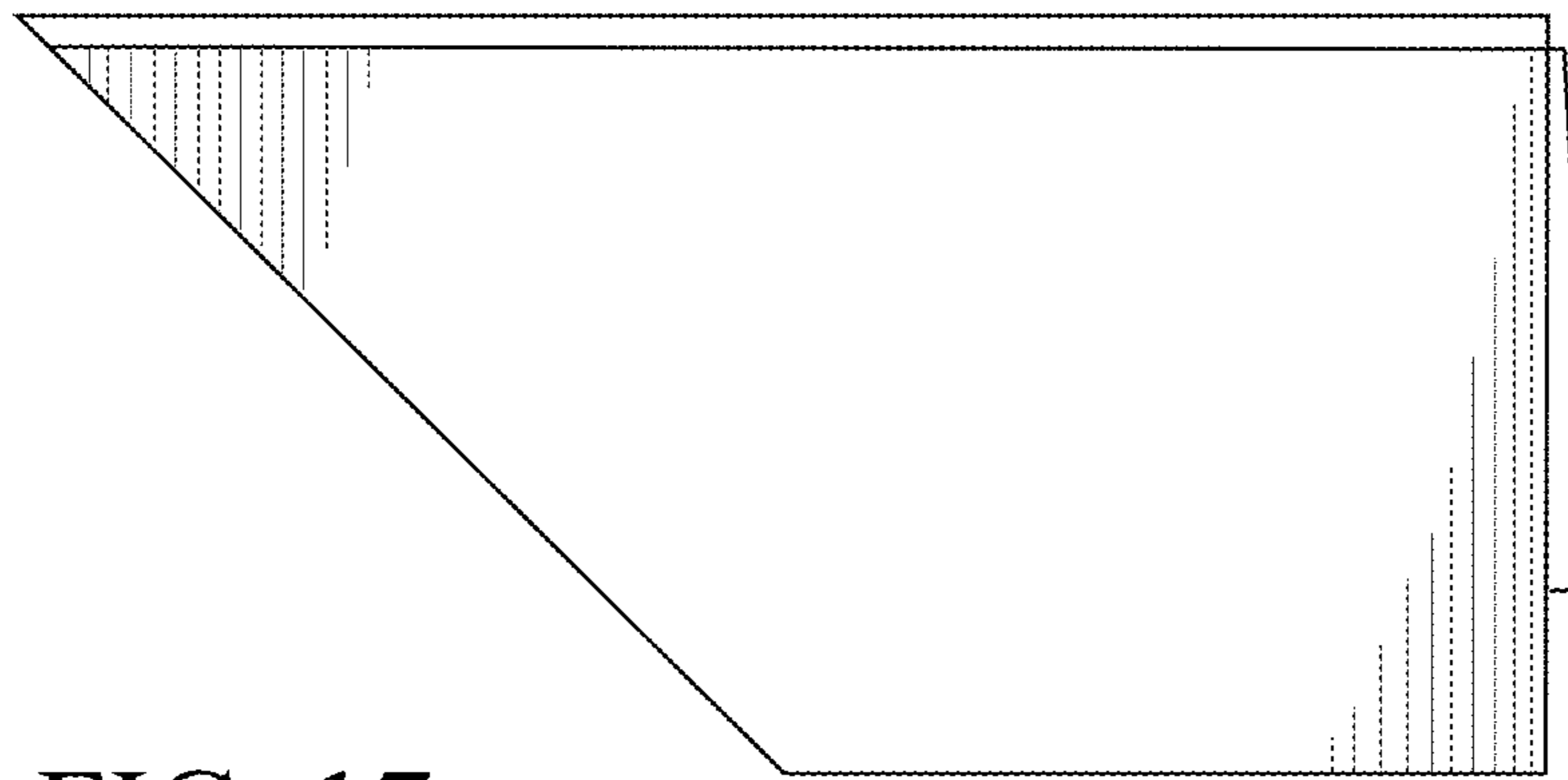


FIG. 17

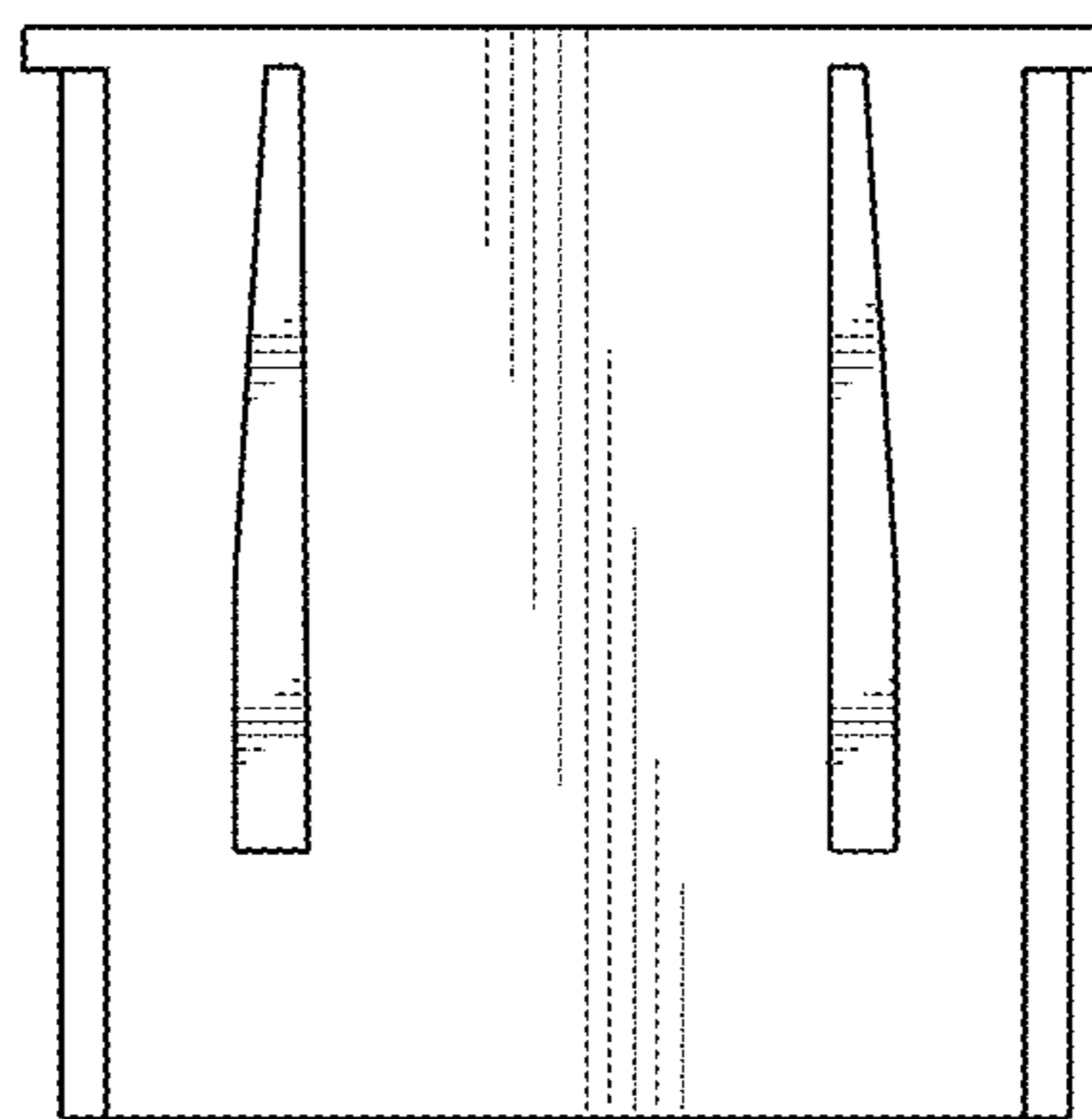


FIG. 18