



US00D978377S

(12) **United States Design Patent**
Jakobsen

(10) **Patent No.:** **US D978,377 S**

(45) **Date of Patent:** **** Feb. 14, 2023**

(54) **REEL FOR MEDICAL DEVICE**
(71) Applicant: **NIDO INVENT AS**, Nesbru (NO)
(72) Inventor: **Odin Andreas Johan Jakobsen**,
Gjovik (NO)
(**) Term: **15 Years**
(21) Appl. No.: **35/512,055**
(22) Filed: **Dec. 21, 2020**

D431,458 S *	10/2000	Bried	D9/414
D455,038 S *	4/2002	Yang	D6/407
D517,735 S *	3/2006	Lai	D28/82
D517,738 S *	3/2006	Lai	D28/82
D564,214 S *	3/2008	Huang	D3/201
D689,243 S *	9/2013	Parker	D28/82
D698,939 S *	2/2014	Wainwright	D9/454
D728,123 S *	4/2015	Cullimore	D24/224
D891,082 S *	7/2020	Wan	D3/203.2
D911,028 S *	2/2021	Lee	D3/294
D917,154 S *	4/2021	Zhu	D3/203.4
D958,527 S *	7/2022	Chung	D3/273
D958,528 S *	7/2022	Chung	D3/273

(80) **Hague Agreement Data**
Int. Filing Date: **Dec. 21, 2020**
Int. Reg. No.: **DM/214214**
Int. Reg. Date: **Dec. 21, 2020**
Int. Reg. Pub. Date: **Jun. 25, 2021**
(51) **LOC (14) Cl.** **24-02**
(52) **U.S. Cl.**
USPC **D24/224; D24/227**
(58) **Field of Classification Search**
USPC D24/107, 127, 224, 227, 229, 230;
D3/201, 203.1–203.8; D9/428; D10/72;
D28/66, 73, 76, 78, 82, 88
CPC A61J 1/00; A61J 1/03; A61J 7/04; A61J
7/0084; B65D 83/0083; B65D 83/04;
B65D 83/0445; B65D 83/0454
See application file for complete search history.

OTHER PUBLICATIONS

BH Photo Video. Cavision Cinematographers 65' Tape Measure. No date specified. https://www.bhphotovideo.com/c/product/868688-REG/Cavision_rf_tmim20_Cinematographers_65_Tape_Measure.html (Year: 0).*
MPO. Counterbalancing Options for Medical Devices. May 23, 2019. https://www.mpo-mag.com/contents/view_online-exclusives/2019-05-23/counterbalancing-options-for-medical-devices (Year: 2019).*

* cited by examiner

Primary Examiner — Darcey E Gottschalk

(57) **CLAIM**

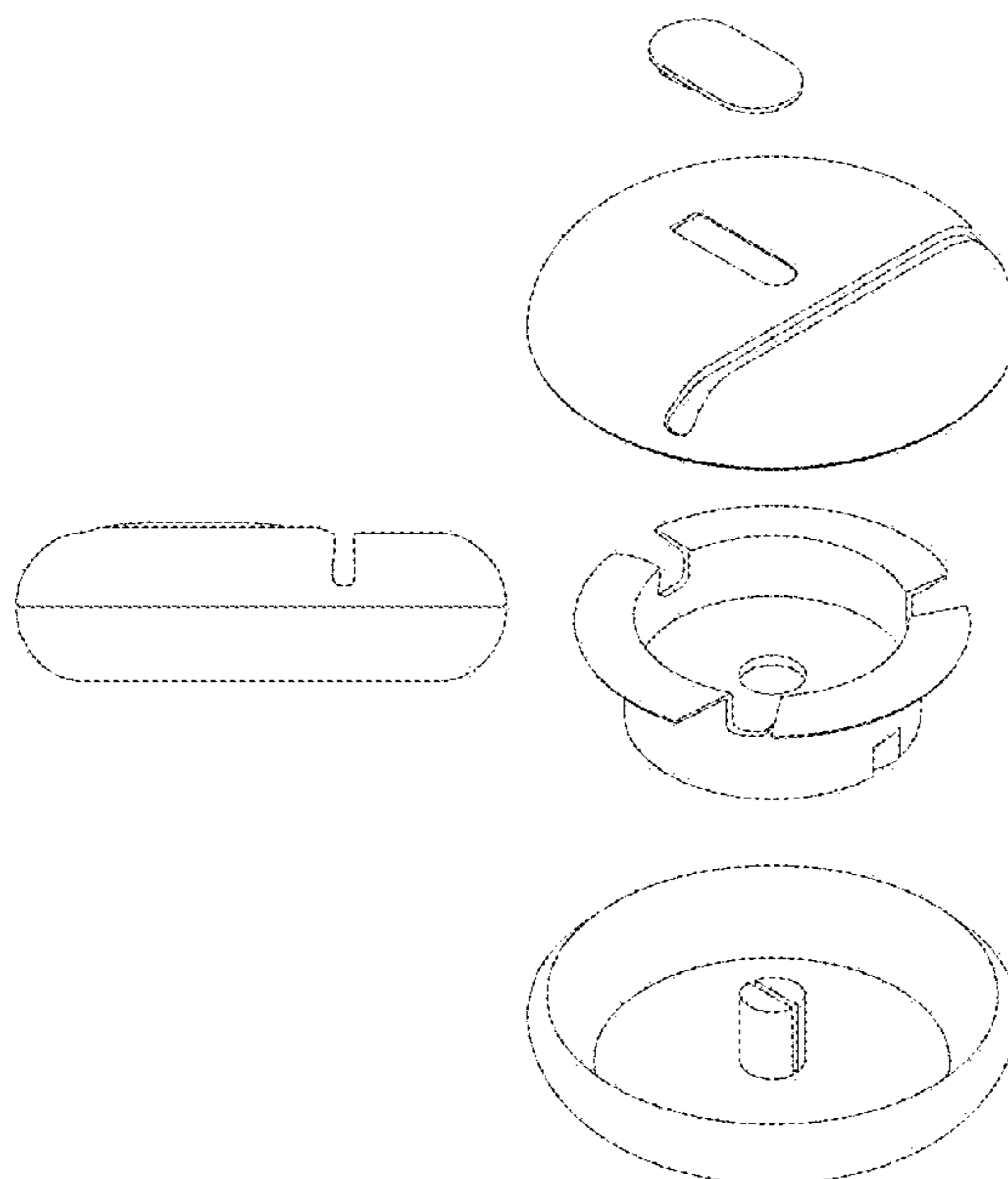
The ornamental design for a reel for medical device, as shown and described.

DESCRIPTION

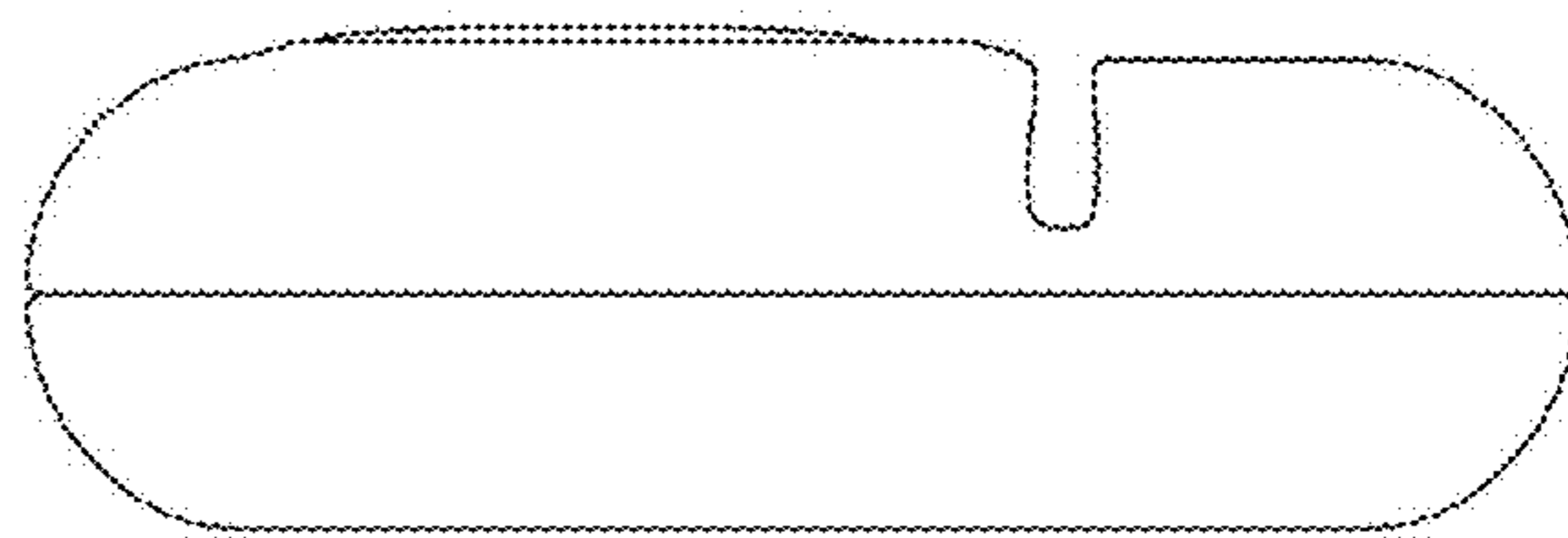
- 2. Reel for medical device
- 2.1: Right
- 2.2: Top
- 2.3: Bottom
- 2.4: Exploded

1 Claim, 4 Drawing Sheets

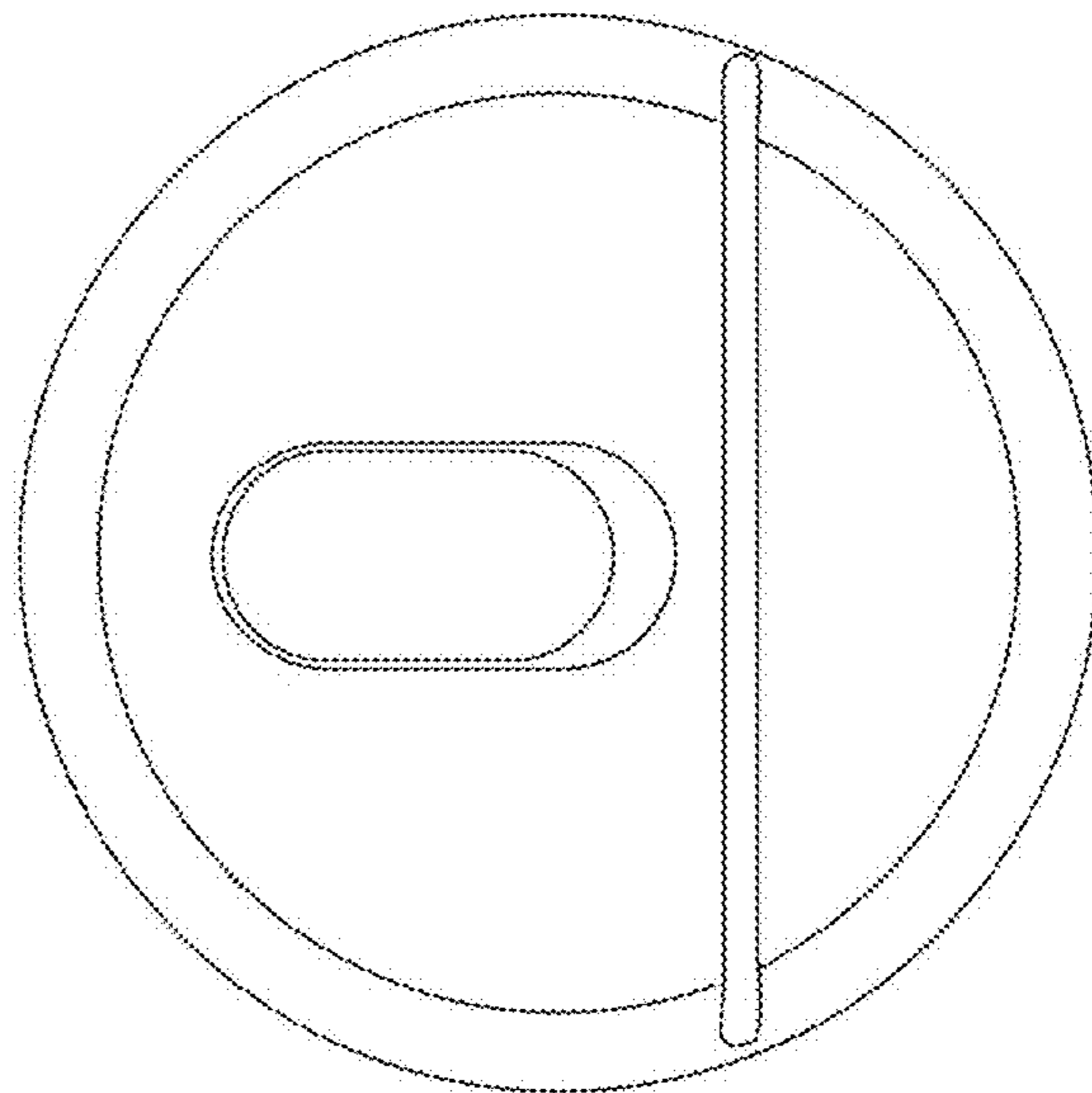
(56) **References Cited**
U.S. PATENT DOCUMENTS
D118,923 S * 2/1940 Williams D13/133
D222,384 S * 10/1971 Cousins 242/405
D295,319 S * 4/1988 Franchere D24/224
D295,962 S * 5/1988 Conlon D24/227
D354,680 S * 1/1995 Chen D9/428



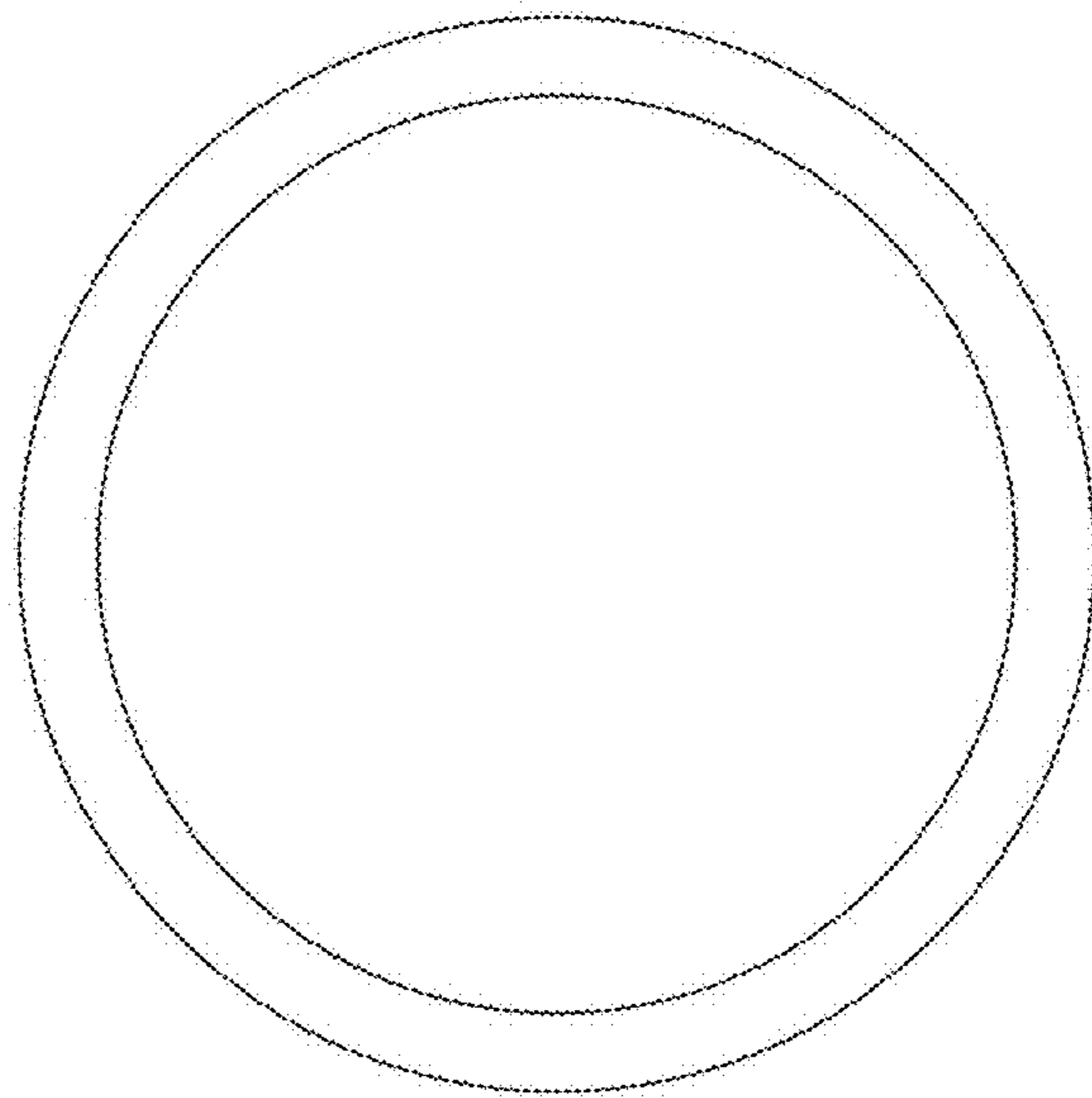
2.1



2.2



2.3



2.4

