



US00D978376S

(12) **United States Design Patent** (10) **Patent No.:** **US D978,376 S**
Ou (45) **Date of Patent:** **** Feb. 14, 2023**

(54) **CONTAINER WITH ELONGATED BASE**
(71) Applicant: **R.Y.L. Inc.**, Commerce, CA (US)
(72) Inventor: **Suk Hwan Ou**, Commerce, CA (US)
(73) Assignee: **R.Y.L. INC.**, Commerce, CA (US)
(**) Term: **15 Years**

D707,364 S * 6/2014 Spencer D9/446
D708,337 S * 7/2014 Larsen D24/164
D741,993 S * 10/2015 Tominaga D24/108
D765,836 S * 9/2016 Kammer D24/121
D833,003 S * 11/2018 Papst D24/121
D839,096 S * 1/2019 Fux D9/503
D868,254 S * 11/2019 Lintula D24/155
D948,073 S * 4/2022 Oishi D24/224
D953,863 S * 6/2022 Ou D9/503

(21) Appl. No.: **29/775,876**
(22) Filed: **Mar. 25, 2021**
(51) **LOC (14) Cl.** **24-02**
(52) **U.S. Cl.**
USPC **D24/224**
(58) **Field of Classification Search**
USPC D24/107, 108, 121, 186, 216, 217, 224,
D24/231, 232; D9/446, 454, 503, 558;
D3/201, 202, 203.1, 203.2
CPC A61B 10/0045; A61B 10/0048; A61B
10/0051; A61M 1/0058; A61M 1/77;
A61M 1/92; A61M 35/003; A61M 35/00
See application file for complete search history.

FOREIGN PATENT DOCUMENTS

CN 202130857131.2 * 5/2022
JP D2013-17064 * 1/2014

* cited by examiner

Primary Examiner — Omeed Agilee
(74) *Attorney, Agent, or Firm* — Womble Bond Dickinson
(US) LLP

(57) **CLAIM**

The ornamental design for a container with elongated base,
as shown and described.

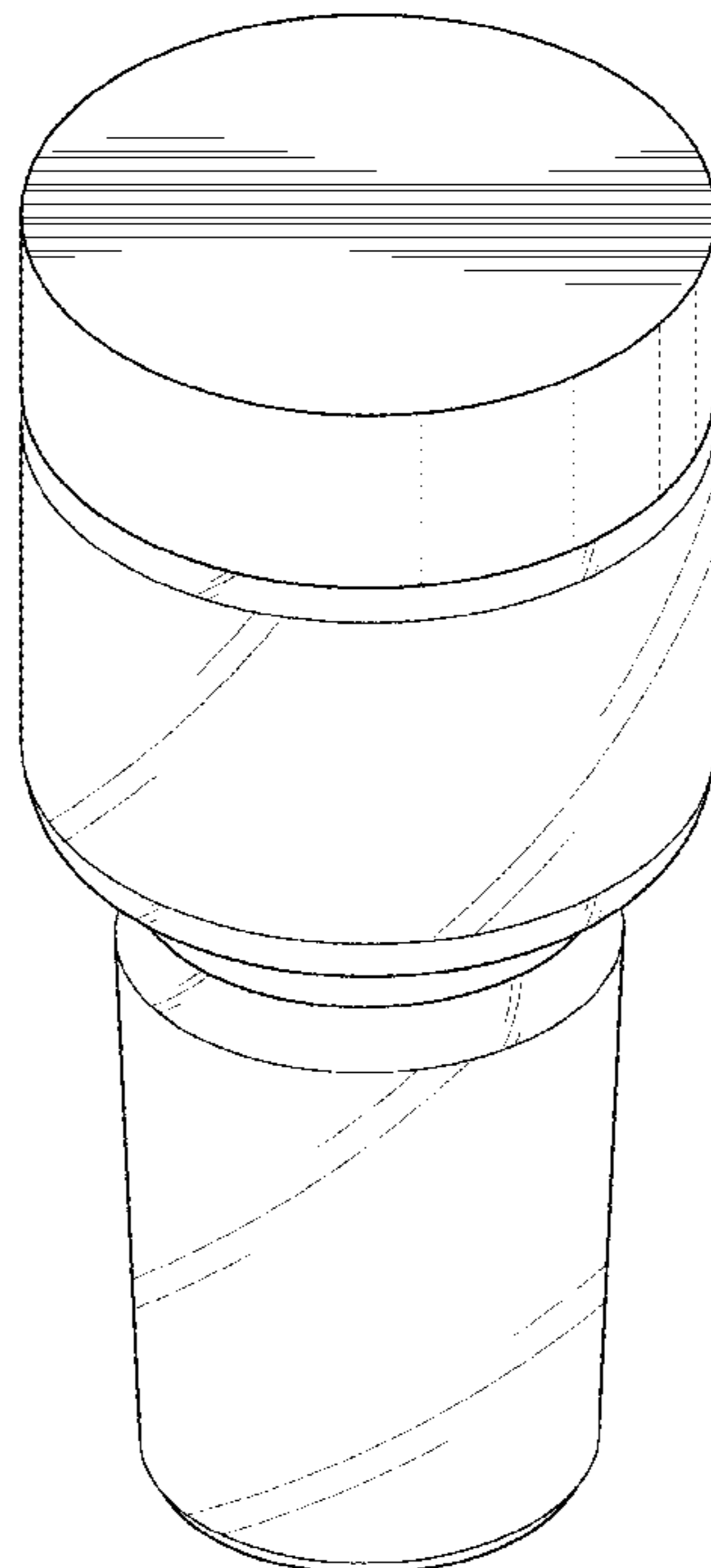
DESCRIPTION

FIG. 1 is a top, front, side perspective view of a container
with elongated base showing my new design;
FIG. 2 is a side elevation thereof;
FIG. 3 is a side elevation from opposite side thereof;
FIG. 4 is a top plan view thereof;
FIG. 5 is a bottom plan view thereof; and,
FIG. 6 is a top, front, side perspective view thereof showing
a cap separated from the container.
The broken lines, the areas within them, and the areas
bounded by broken lines and solid lines depict portions of
the glass container with elongated base that form no part of
the claimed design.

(56) **References Cited**
U.S. PATENT DOCUMENTS

D281,534 S * 11/1985 Ushikubo D24/224
D322,218 S * 12/1991 Lynd D9/453
D331,111 S * 11/1992 Mazza D24/193
D401,697 S * 11/1998 Cloonan D24/224
D432,245 S * 10/2000 Stevens D24/224
D461,905 S * 8/2002 Wei D24/224
D618,362 S * 6/2010 Giraud D24/224
D631,169 S * 1/2011 Cheeley D24/224
D651,307 S * 12/2011 Sangha D24/127
D652,148 S * 1/2012 Matsuura D24/224

1 Claim, 4 Drawing Sheets



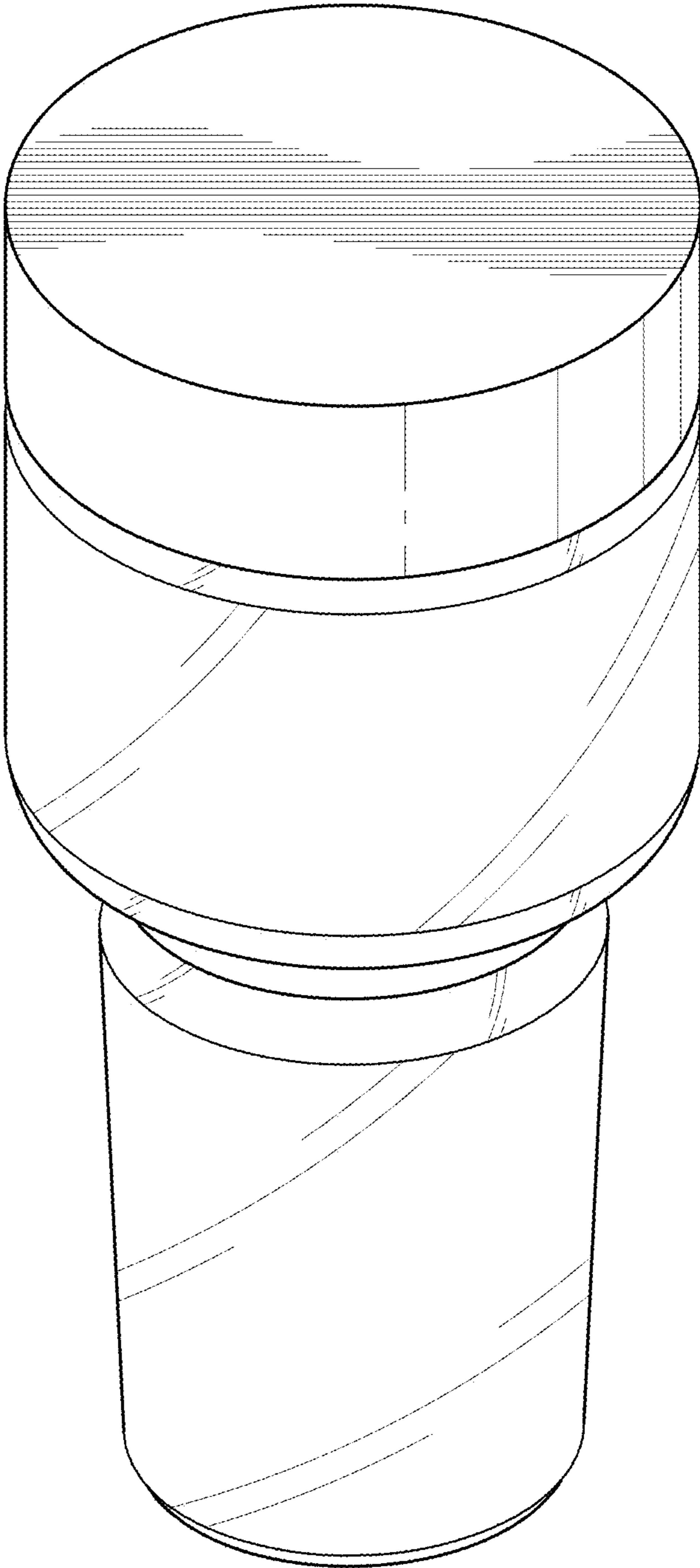


FIG. 1

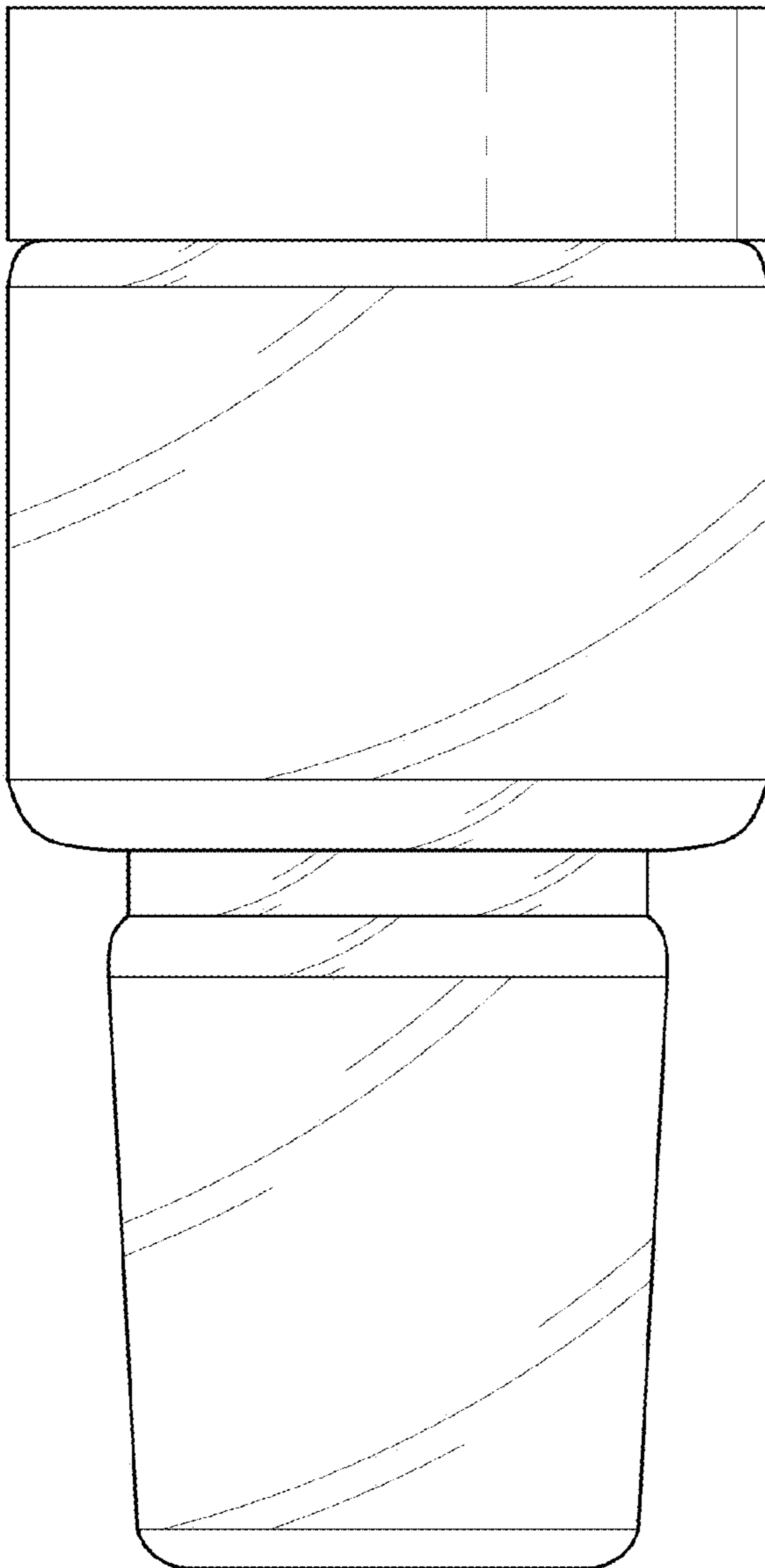


FIG. 2

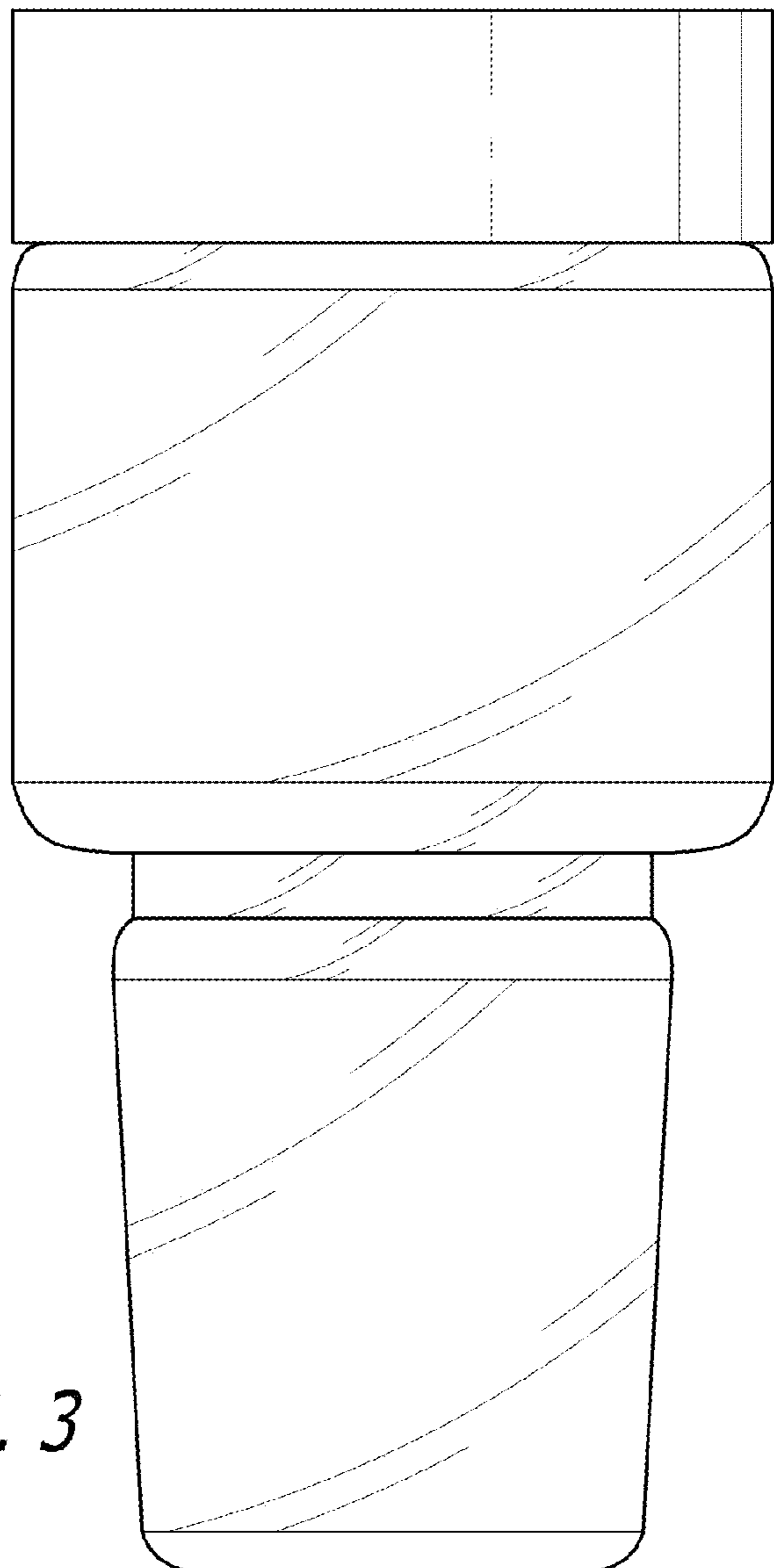


FIG. 3

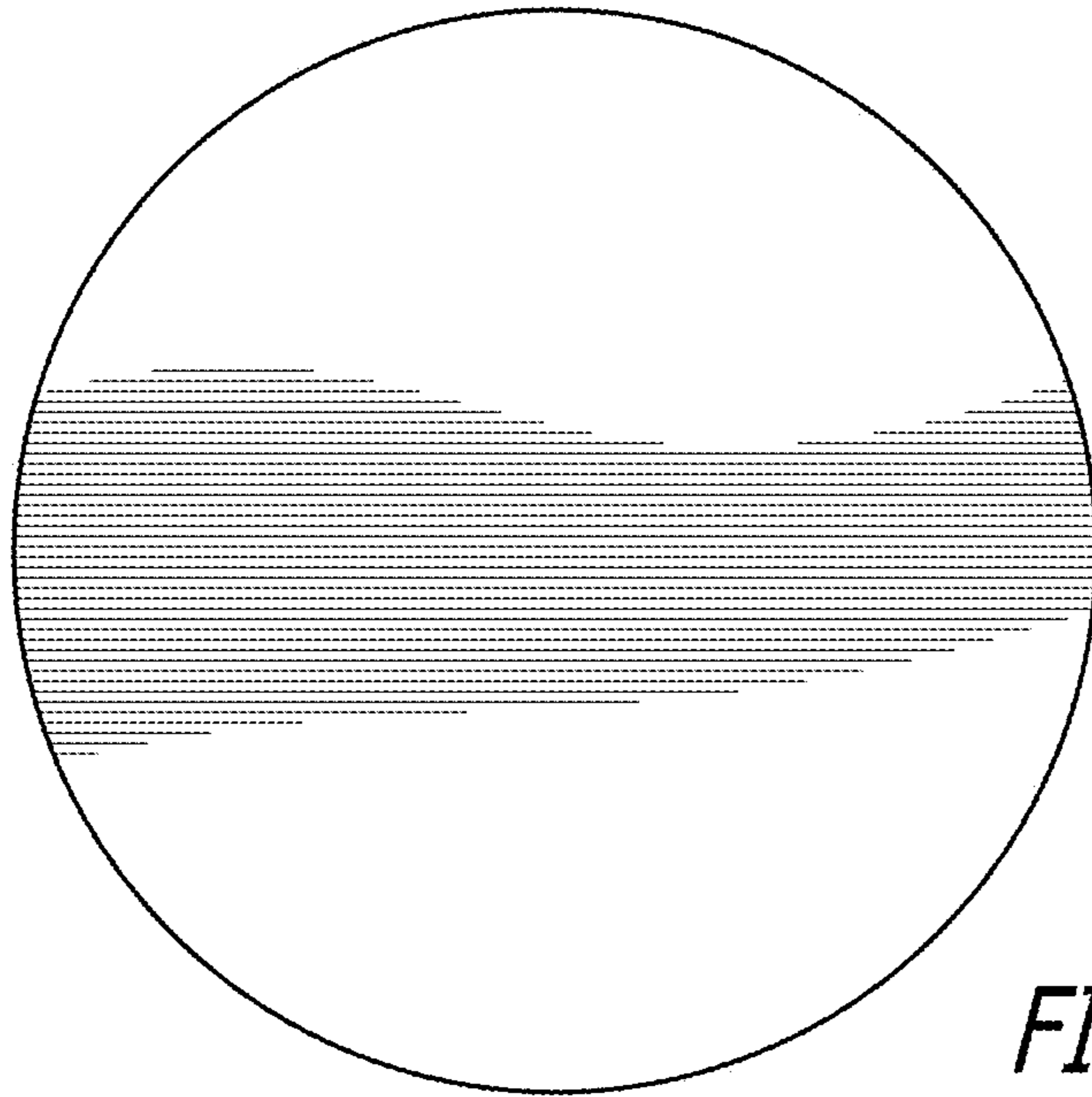


FIG. 4

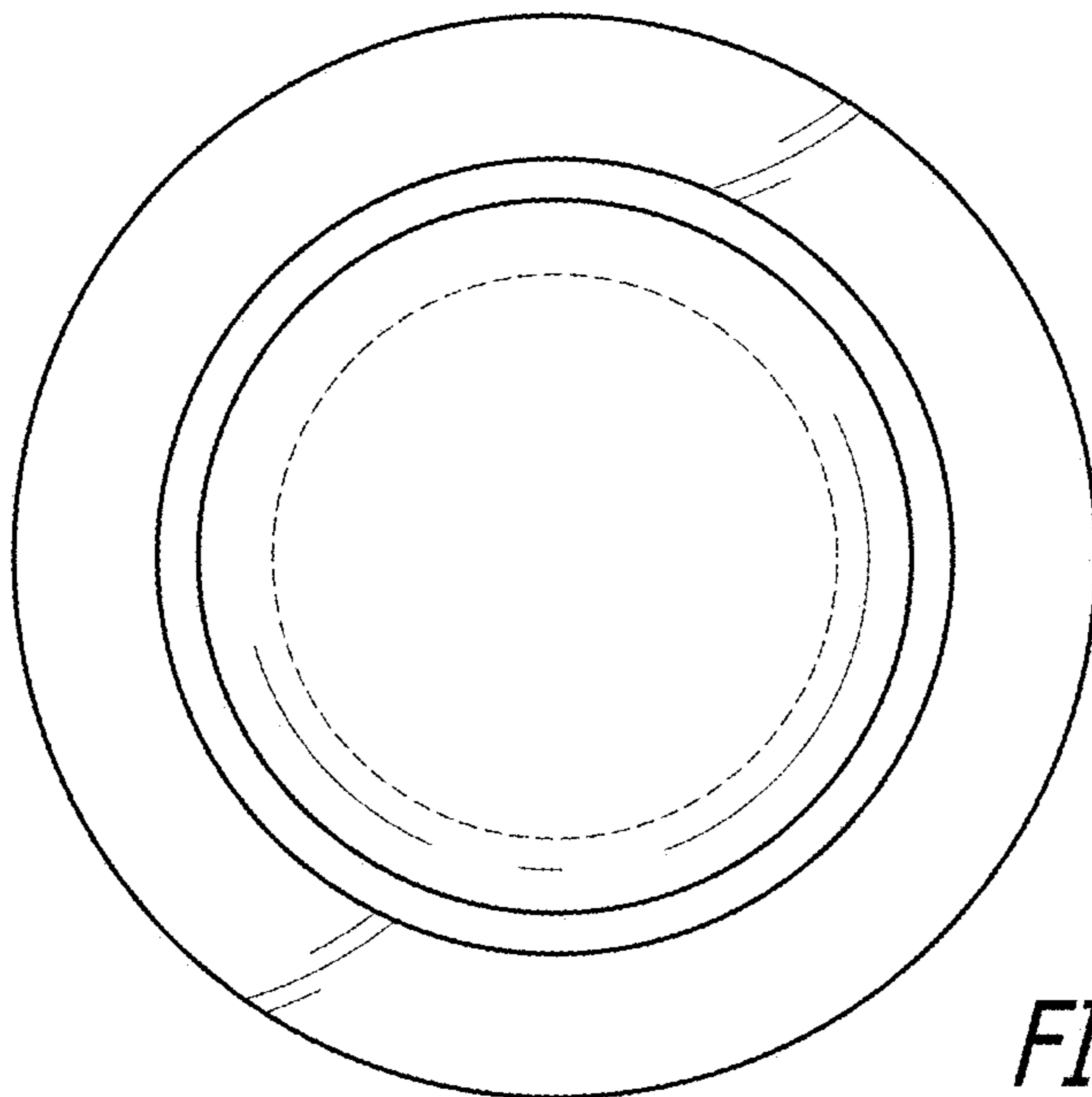


FIG. 5

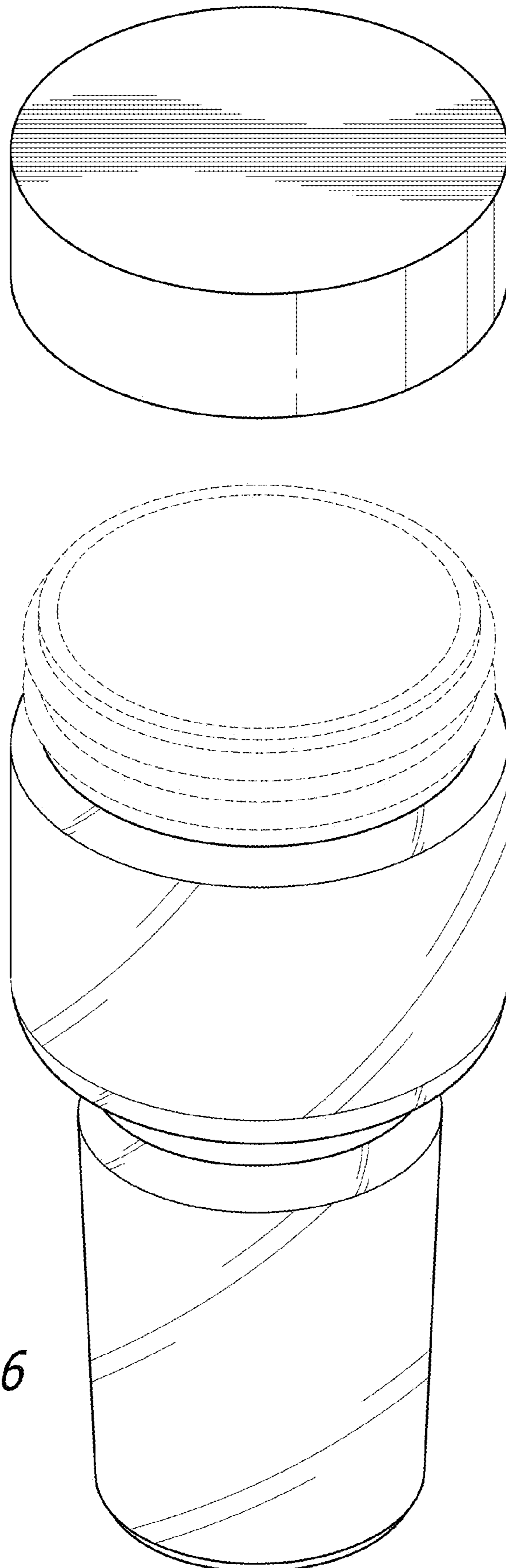


FIG. 6