



US00D978375S

(12) **United States Design Patent** (10) **Patent No.:** **US D978,375 S**
Luoma, II (45) **Date of Patent:** **** Feb. 14, 2023**

(54) **REAGENT CONTAINER**

(71) Applicant: **Abbott Laboratories**, Abbott Park, IL (US)

(72) Inventor: **Robert Paul Luoma, II**, Colleyville, TX (US)

(73) Assignee: **Abbott Laboratories**, Abbott Park, IL (US)

(**) Term: **15 Years**

(21) Appl. No.: **29/745,034**

(22) Filed: **Aug. 3, 2020**

Related U.S. Application Data

(60) Division of application No. 29/721,476, filed on Jan. 21, 2020, now Pat. No. Des. 892,350, which is a division of application No. 29/640,810, filed on Mar. 16, 2018, now Pat. No. Des. 875,269, which is a division of application No. 29/531,426, filed on Jun. 25, 2015, now Pat. No. Des. 815,299, which is a continuation of application No. 13/801,154, filed on Mar. 13, 2013, now Pat. No. 9,535,082.

(51) **LOC (14) Cl.** **24-02**

(52) **U.S. Cl.**

USPC **D24/224**

(58) **Field of Classification Search**

USPC D24/121, 216, 223-232; D9/423, 424, D9/455, 517; D7/300, 300.1, 316, 317, D7/598

CPC B01L 3/00; B01L 3/0234; B01L 3/50825; B01L 9/00; B01L 9/06; B01F 13/0016; B01F 13/002; G01N 35/04

See application file for complete search history.

(56) **References Cited**

U.S. PATENT DOCUMENTS

423,362 A 3/1890 Wells
2,514,680 A 7/1950 Stafford

3,777,652 A 12/1973 Engel
D234,683 S * 4/1975 Rakacs et al. D9/423
3,994,594 A 11/1976 Sandroock et al.
4,227,810 A * 10/1980 Sandroock G01N 21/03
250/576

(Continued)

FOREIGN PATENT DOCUMENTS

CA 2556772 9/2005
CN 1183057 5/1998

(Continued)

OTHER PUBLICATIONS

International Searching Authority, "Invitation to Pay Additional Fees and, Where Applicable, Protest Fee and Communication Relating to the Results of the Partial International Search," issued in connection with International Patent Application No. PCT/US2013/078036, dated Apr. 23, 2014, 7 pages.

(Continued)

Primary Examiner — Omeed Agilee

(74) *Attorney, Agent, or Firm* — Hanley, Flight & Zimmerman, LLC

(57) **CLAIM**

The ornamental design for a reagent container, as shown and described.

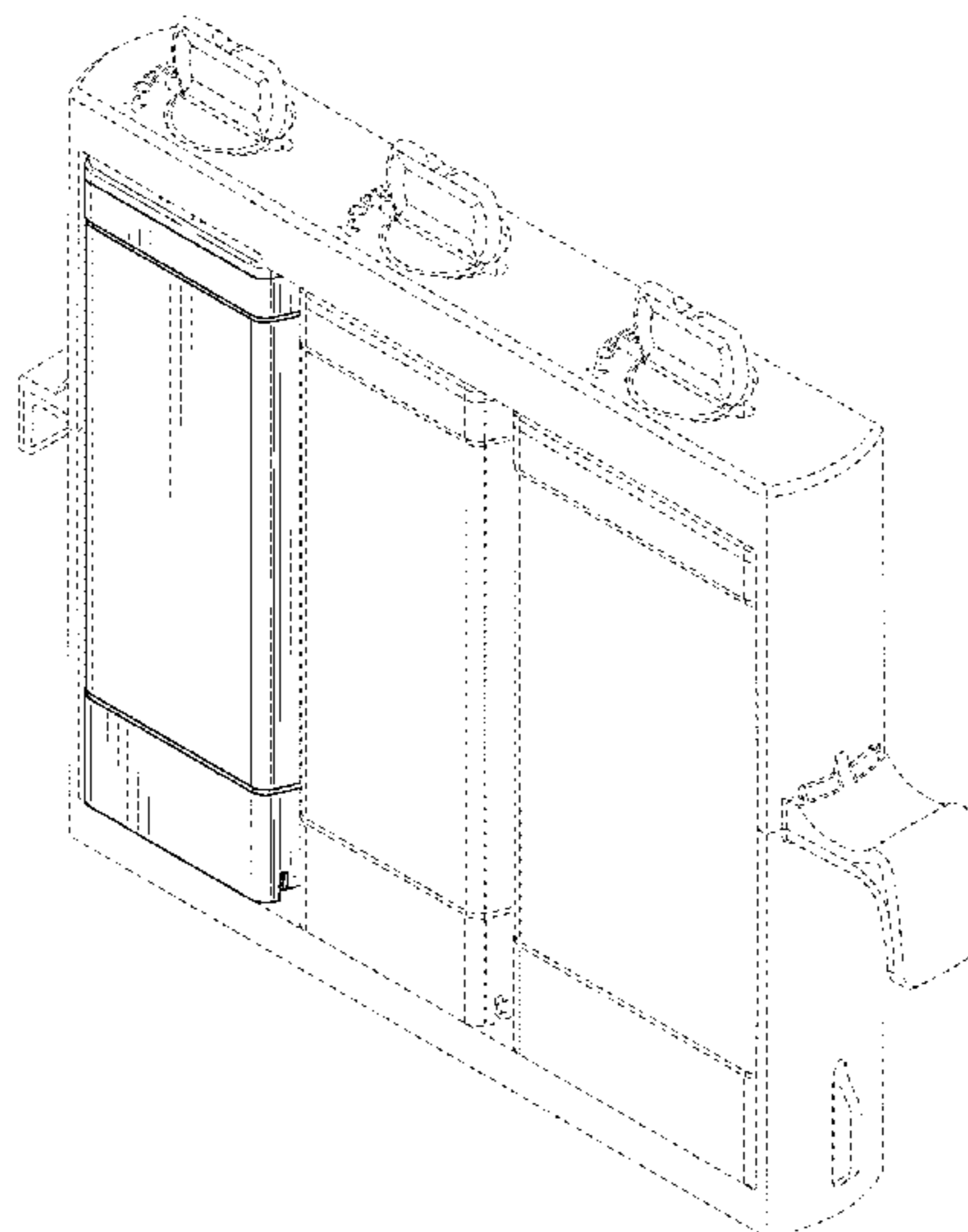
DESCRIPTION

FIG. 1 is a front right perspective view of a reagent container.

FIG. 2 is a front side view of the reagent container of FIG. 1; and,

FIG. 3 is a rear side view of the reagent container of FIG. 1. The broken lines in the drawings depict portions of the reagent container that form no part of the claimed design.

1 Claim, 3 Drawing Sheets



(56)

References Cited

U.S. PATENT DOCUMENTS

D273,987 S	5/1984	Holen et al.	D630,765 S	1/2011	Winkenbach et al.
4,515,753 A	5/1985	Smith et al.	D632,402 S	2/2011	Sattler et al.
4,557,600 A	12/1985	Klose et al.	7,897,379 B2	3/2011	Kenney et al.
D290,225 S	6/1987	Carlson	D637,731 S	5/2011	Sattler et al.
4,684,614 A	8/1987	Krovak et al.	7,951,344 B2	5/2011	Kikuchi et al.
4,705,668 A	11/1987	Kaltenbach et al.	7,964,140 B2	6/2011	Watari
4,720,374 A	1/1988	Ramachandran	D645,973 S	9/2011	Hoenes
D297,166 S	8/1988	Hollar et al.	8,017,094 B2	9/2011	Meyer et al.
4,849,177 A	7/1989	Jordan	8,133,721 B2	3/2012	Yang et al.
4,883,763 A	11/1989	Holen et al.	8,187,558 B2	5/2012	Jacobs et al.
4,913,309 A	4/1990	Fink	D665,095 S	8/2012	Wilson et al.
5,005,721 A	4/1991	Jordan	D666,736 S	9/2012	Kobayashi
5,128,104 A	7/1992	Murphy et al.	D672,881 S	12/2012	Kraihanzel
5,257,650 A *	11/1993	Fisk G01N 35/00663 141/319	8,535,624 B2	9/2013	Luoma, II
D342,140 S	12/1993	Sakagami et al.	D696,419 S	12/2013	Fusellier et al.
5,324,481 A	6/1994	Dunn et al.	9,149,979 B2	10/2015	Sattler et al.
D350,604 S	9/1994	Weiss et al.	9,304,140 B2	4/2016	Wakamiya
D355,260 S	2/1995	Tomasso	D769,456 S	10/2016	Dulaff
D358,468 S	5/1995	Howard	D774,182 S	12/2016	Davidian et al.
5,417,922 A	5/1995	Markin et al.	9,535,082 B2	1/2017	Luoma, II
D365,153 S	12/1995	Robertson, Jr.	9,539,082 B2	1/2017	Olsen et al.
5,516,207 A	5/1996	Habicht	D782,060 S	3/2017	Luoma, II
5,578,272 A	11/1996	Koch et al.	D782,061 S	3/2017	Luoma, II
5,632,399 A	5/1997	Palmieri et al.	D782,062 S	3/2017	Luoma, II
D380,553 S	7/1997	Riekkinen	D782,063 S	3/2017	Luoma, II et al.
5,758,786 A	6/1998	John	9,789,454 B2	10/2017	Luoma, II
5,788,928 A	8/1998	Carey et al.	D815,299 S *	4/2018	Luoma, II B01F 29/322 D24/224
5,811,296 A	9/1998	Chemelli et al.	D822,224 S	7/2018	Luoma, II et al.
D400,263 S	10/1998	Shugart	10,058,866 B2	8/2018	Luoma, II et al.
5,830,411 A	11/1998	Martinell Gisper-Sauch	D848,636 S	5/2019	Kraemer et al.
D404,831 S	1/1999	Yamazaki et al.	D875,269 S	2/2020	Luoma, II
D407,826 S	4/1999	Yamazaki et al.	D875,270 S	2/2020	Luoma, II et al.
D411,014 S	6/1999	Berger et al.	10,639,600 B2	5/2020	Luoma, II
5,908,242 A	6/1999	St. John et al.	D898,573 S	10/2020	Noyori
5,968,453 A	10/1999	Shugart	D905,866 S	12/2020	Luoma, II et al.
6,066,300 A	5/2000	Carey et al.	10,926,263 B2	2/2021	Luoma, II et al.
6,123,205 A	9/2000	Dumitrescu et al.	D921,219 S *	6/2021	Johnson D24/224
D433,149 S	10/2000	Fassbind et al.	D924,328 S	7/2021	Adams et al.
6,149,872 A	11/2000	Mack et al.	D937,435 S	11/2021	Rai et al.
6,190,617 B1	2/2001	Clark et al.	D938,612 S	12/2021	Liu et al.
6,190,619 B1	2/2001	Kilcoin et al.	2002/0169518 A1	11/2002	Luoma, II et al.
6,299,567 B1	10/2001	Forrest et al.	2003/0044323 A1	3/2003	Diamond et al.
6,319,719 B1	11/2001	Bhullar et al.	2003/0129766 A1	7/2003	Kawamura et al.
6,375,030 B1	4/2002	Spickelmire	2004/0005714 A1	1/2004	Safar et al.
6,386,749 B1	5/2002	Watts et al.	2004/0134750 A1	7/2004	Luoma, II
6,431,388 B1	8/2002	Spickelmire et al.	2005/0026295 A1	2/2005	Harding et al.
6,432,359 B1	8/2002	Carey et al.	2005/0106756 A1	5/2005	Blankenstein et al.
6,458,526 B1	10/2002	Schembri et al.	2005/0169102 A1	8/2005	Manke
6,509,193 B1	1/2003	Tajima	2005/0175338 A1	8/2005	Ide et al.
6,511,634 B1	1/2003	Bradshaw et al.	2006/0087911 A1	4/2006	Herz et al.
6,517,230 B1	2/2003	Afnan et al.	2006/0263248 A1	11/2006	Gomm et al.
6,517,783 B2	2/2003	Horner et al.	2006/0286004 A1	12/2006	Jacobs et al.
6,537,505 B1	3/2003	LaBudde et al.	2007/0010019 A1	1/2007	Luoma, II
D482,454 S	11/2003	Gebrian	2007/0166193 A1	7/2007	Veen et al.
D494,851 S	8/2004	Uchiyama	2008/0056948 A1	3/2008	Dale et al.
D502,268 S	2/2005	Sakai et al.	2008/0064090 A1	3/2008	Whittlinger
6,866,820 B1	3/2005	Otto et al.	2008/0085222 A1	4/2008	Fukuda et al.
D517,597 S	3/2006	Andoh	2008/0226513 A1	9/2008	Morbidelli et al.
D531,736 S	11/2006	Gomm et al.	2008/0317632 A1	12/2008	Shimasaki et al.
D532,524 S	11/2006	Gomm et al.	2009/0004058 A1	1/2009	Liang et al.
D533,587 S	12/2006	Andoh	2009/0129987 A1 *	5/2009	Tanimoto G01N 35/1002 422/400
D533,947 S	12/2006	Gomm et al.	2009/0207690 A1	8/2009	Curtis et al.
D534,280 S	12/2006	Gomm et al.	2009/0215159 A1	8/2009	Kirby
7,182,912 B2	2/2007	Carey et al.	2009/0325309 A1	12/2009	Favuzzi et al.
7,238,521 B2	7/2007	Hahn et al.	2010/0028215 A1 *	2/2010	Schenk G01N 35/1002 422/400
7,458,483 B2	12/2008	Luoma, II	2010/0092343 A1	4/2010	Németh
7,485,118 B2	2/2009	Blankenstein et al.	2010/0111765 A1	5/2010	Gomm et al.
7,615,370 B2	11/2009	Streit et al.	2010/0190265 A1	7/2010	Dufva et al.
7,628,954 B2	12/2009	Gomm et al.	2010/0233035 A1 *	9/2010	Denawa G01N 35/1002 422/509
D611,821 S *	3/2010	Gabrielsson D9/563	2010/0233036 A1 *	9/2010	Sattler G01N 35/026 422/509
7,731,414 B2	6/2010	Vincent et al.	2010/0276445 A1	11/2010	Jacobs et al.
7,736,907 B2	6/2010	Blankenstein et al.	2011/0165017 A1	7/2011	Christian et al.
D620,603 S	7/2010	Talmer et al.	2012/0087830 A1	4/2012	Wakamiya
7,794,656 B2	9/2010	Liang et al.	2012/0141339 A1	6/2012	Sattler et al.

(56)

References Cited

U.S. PATENT DOCUMENTS

2012/0195808 A1 8/2012 Arras et al.
 2012/0218854 A1 8/2012 Behringer et al.
 2013/0059376 A1 3/2013 Justice et al.
 2014/0038307 A1 2/2014 Daub et al.
 2014/0269158 A1 9/2014 Luoma, II
 2014/0271411 A1 9/2014 Luoma, II et al.
 2015/0010443 A1 1/2015 Hasegawa
 2015/0057638 A1 2/2015 Davidian et al.
 2015/0224500 A1 8/2015 Brueckner et al.
 2015/0338429 A1 11/2015 Rousseau et al.
 2016/0266156 A1* 9/2016 Brennan G01N 35/1016
 2016/0320421 A1 11/2016 Trump et al.
 2018/0028988 A1 2/2018 Luoma, II
 2018/0252707 A1 9/2018 Zhang et al.
 2020/0072857 A1 3/2020 Oda et al.
 2020/0080993 A1 3/2020 Zhang et al.
 2020/0238237 A1 7/2020 Luoma, II
 2021/0170414 A1 6/2021 Luoma, II et al.
 2021/0199681 A1* 7/2021 Tanaka B01L 3/52

FOREIGN PATENT DOCUMENTS

CN 1726288 1/2006
 CN 1980731 A 6/2007
 CN 101334416 12/2008
 CN 101391197 3/2009
 CN 101439274 5/2009
 CN 101484782 7/2009
 CN 101489681 7/2009
 CN 101541428 9/2009
 CN 101583877 11/2009
 CN 102202776 9/2011
 CN 102667489 9/2012
 CN 102576030 12/2014
 CN 303653066 S 4/2016
 CN 303653067 S 4/2016
 CN 303838934 S 9/2016
 CN 303838935 S 9/2016
 CN 105246582 B2 4/2018
 CN 108325439 A 7/2018
 CN 108452732 A 8/2018
 CN 201830193538 5/2019
 CN 201930270519.5 * 1/2020
 CN 201930270002.6 * 2/2020
 CN 114950220 A 8/2022
 DE 19540877 5/1997
 DE 202006017454 5/2007
 EP 435481 7/1991
 EP 831330 3/1998
 EP 1855114 11/2007
 EP 1687080 6/2008
 EP 1733794 9/2010
 EP 2255880 12/2010
 EP 2969165 B1 5/2019
 EP 3536395 A1 9/2019
 EP 3560597 A1 10/2019
 EP 3915683 A1 12/2021
 EP 3981507 A1 4/2022
 GB 1307086 2/1973
 GB 1307087 2/1973
 GB 1307089 A 2/1973
 JP S527758 3/1977
 JP S56137072 10/1981
 JP S58134773 9/1983
 JP S63182040 7/1988
 JP H03102262 4/1991
 JP H04208864 7/1992
 JP H06253815 9/1994
 JP H07198561 8/1995
 JP H10228689 8/1998
 JP H11515106 12/1999
 JP 2000009726 1/2000
 JP 2002196006 7/2002
 JP 2003194828 7/2003
 JP 2004061160 2/2004

JP 2005017176 1/2005
 JP 2005502034 1/2005
 JP 2005140790 A 6/2005
 JP 2005164509 6/2005
 JP 2005181338 7/2005
 JP 2006125897 5/2006
 JP 3845305 B2 11/2006
 JP 2006349683 A 12/2006
 JP 2007524842 8/2007
 JP 2007309740 11/2007
 JP 2008026221 2/2008
 JP 2008096195 4/2008
 JP 4268212 5/2009
 JP 2009276252 11/2009
 JP 2009544959 12/2009
 JP 2010509144 3/2010
 JP 2011099769 5/2011
 JP 20110099769 5/2011
 JP 2016516990 6/2016
 JP 6092459 B2 3/2017
 JP 6105145 B2 3/2017
 JP 6463391 B2 1/2019
 JP 6790053 B2 11/2020
 JP 7073470 B2 5/2022
 JP 7144476 B2 9/2022
 WO 9634681 11/1996
 WO 03020427 3/2003
 WO 2006119361 11/2006
 WO 2007125642 11/2007
 WO 2008030961 3/2008
 WO 2008058979 5/2008
 WO 2009131705 10/2009
 WO 2011091233 7/2011
 WO 2014163699 A1 10/2014
 WO 2014163700 A1 10/2014

OTHER PUBLICATIONS

International Searching Authority, "International Search Report and Written Opinion," issued in connection with International Patent Application No. PCT/US2013/078036, dated Jun. 25, 2014, 17 pages.
 International Searching Authority, "International Search Report and Written Opinion," issued in connection with International Patent Application No. PCT/US2013/078034, dated Sep. 12, 2014, 21 pages.
 International Searching Authority, "Invitation to Pay Additional Fees and, Where Applicable, Protest Fee and Communication Relating to the Results of the Partial International Search," issued in connection with International Patent Application No. PCT/US2013/078034, dated Jun. 3, 2014, 7 pages.
 International Searching Authority, "International Preliminary Report on Patentability," issued in connection with International Patent Application No. PCT/US2013/078034, dated Sep. 24, 2015, 15 pages.
 Isaacson et al., "Hydrodynamic damping due to baffles in a rectangular tank," Canadian Journal of Civic Engineering, Jul. 21, 2001, 9 pages.
 European Patent Office, "Communication pursuant to Article 94(3) EPC," issued in connection with European Patent No. 13 821 411.9, dated Jun. 7, 2017, 8 pages.
 Japanese Patent Office, "Notice of Rejection," issued in connection with Japanese Patent Application No. 2016-500147, dated Oct. 4, 2016, 8 pages. (With Translation).
 Japanese Patent Office, "Notice of Rejection," issued in connection with Japanese Patent Application No. 2016-500148, dated Sep. 6, 2016, 11 pages. (With Translation).
 State Intellectual Property Office of the P.R. China, "Notification of Grant of Patent Right for a Design," issued in connection with Chinese Patent Application No. 201630099345.7, dated May 19, 2016, 5 pages.
 State Intellectual Property Office of the P.R. China, "Notification of Grant of Patent Right for a Design," issued in connection with Chinese Patent Application No. 201630099342.3, dated May 19, 2016, 5 pages. (With Translation)

(56)

References Cited

OTHER PUBLICATIONS

State Intellectual Property Office of the P.R. China, "First Office Action," issued in connection with Chinese Patent Application No. 201380076523.8, dated Oct. 18, 2016, 8 pages. (With Translation).
State Intellectual Property Office of the P.R. China, "Second Office Action," issued in connection with Chinese Patent Application No. 201380076521.9, dated Feb. 3, 2017, 23 pages.

State Intellectual Property Office of the P.R. China, "First Office Action and Search Report," issued in connection with Chinese Patent Application No. 201380076521.9, dated Jul. 13, 2016, 22 pages.

United States Patent and Trademark Office, "Restriction and/or Election Requirement," issued in connection with U.S. Appl. No. 13/801,154, dated Jul. 14, 2015, 7 pages.

United States Patent and Trademark Office, "Office Action," issued in connection with U.S. Appl. No. 13/801,154, dated Oct. 5, 2015, 6 pages.

United States Patent and Trademark Office, "Restriction and/or Election Requirement," issued in connection with U.S. Appl. No. 13/801,451, dated Jul. 16, 2014, 6 pages.

United States Patent and Trademark Office, "Office Action," issued in connection with U.S. Appl. No. 13/801,451, dated Feb. 18, 2015, 13 pages.

United States Patent and Trademark Office, "Final Office Action," issued in connection with U.S. Appl. No. 13/801,451, dated Aug. 28, 2015, 16 pages.

United States Patent and Trademark Office, "Advisory Action," issued in connection with U.S. Appl. No. 13/801,451, dated Dec. 7, 2015, 11 pages.

United States Patent and Trademark Office, "Final Office Action," issued in connection with U.S. Appl. No. 13/801,451, dated Feb. 24, 2017, 44 pages.

United States Patent and Trademark Office, "Non-Final Office Action," issued in connection with U.S. Appl. No. 13/801,451, dated Jun. 15, 2017, 27 pages.

United States Patent and Trademark Office, "Office Action," issued in connection with U.S. Appl. No. 13/801,451, dated Aug. 12, 2016, 20 pages.

United States Patent and Trademark Office, "Restriction and/or Election Requirement," issued in connection with U.S. Appl. No. 29/531,434, dated May 10, 2016, 8 pages.

United States Patent and Trademark Office, "Ex Parte Quayle Action," issued in connection with U.S. Appl. No. 29/531,434, on Jan. 26, 2017, 15 pages.

United States Patent and Trademark Office, "Notice of Non-Complaint Amendment," issued in connection with U.S. Appl. No. 29/531,434, dated Jun. 29, 2017, 15 pages.

United States Patent and Trademark Office, "Restriction and/or Election Requirement," issued in connection with U.S. Appl. No. 29/531,434, dated Sep. 6, 2016, 9 pages.

United States Patent and Trademark Office, "Non-Final Office Action," issued in connection with U.S. Appl. No. 15/347,556, dated Mar. 7, 2017, 7 pages.

United States Patent and Trademark Office, "Notice of Allowance," issued in connection with U.S. Appl. No. 15/347,556, dated Jun. 14, 2017, 22 pages.

United States Patent and Trademark Office, "Restriction and/or Election Requirement," issued in connection with U.S. Appl. No. 29/531,426, dated May 16, 2016, 13 pages.

United States Patent and Trademark Office, "Restriction and/or Election Requirement," issued in connection with U.S. Appl. No. 29/531,426, dated Aug. 18, 2016, 9 pages.

United States Patent and Trademark Office, "Ex Parte Quayle Action," issued in connection with U.S. Appl. No. 29/531,426, on Dec. 30, 2016, 11 pages.

United States Patent and Trademark Office, "Notice of Non-Complaint Amendment," issued in connection with U.S. Appl. No. 29/531,426, dated Jun. 29, 2017, 7 pages.

United States Patent and Trademark Office, "Notice of Allowance," issued in connection with U.S. Appl. No. 29/531,426, dated Dec. 14, 2017, 11 pages.

United States Patent and Trademark Office, "Notice of Allowance," issued in connection with U.S. Appl. No. 29/531,426, dated Jan. 11, 2018, 2 pages.

United States Patent and Trademark Office, "Notice of Allowance," issued in connection with U.S. Appl. No. 29/531,434, dated Jan. 3, 2018, 7 pages.

European Patent Office, "Communication pursuant to Rules 161(1) and 162 EPC," issued in connection with European Patent Application No. 13821412.7, dated Oct. 28, 2015, 2 pages.

State Intellectual Property Office of the P.R. China, "Second Office Action," issued in connection with Chinese Patent Application No. 201380076523.8, dated Jun. 12, 2017, 14 pages.

International Bureau, "International Preliminary Report on Patentability," issued in connection with PCT Application No. PCT/US2013/078036, dated Sep. 24, 2015, 12 pages.

European Patent Office, "Communication pursuant to Article 94(3) EPC," issued in connection with European Patent No. 13 821 411.9, dated Feb. 26, 2018, 5 pages.

State Intellectual Property Office of the P.R. China, "Third Office Action," issued in connection with Chinese Patent Application No. 201380076521.9, dated Jul. 28, 2017, 25 pages.

United States Patent and Trademark Office, "Final Office Action," issued in connection with U.S. Appl. No. 13/801,451, dated Dec. 29, 2017, 34 pages.

Japanese Patent Office, "Notice of Rejection," issued in connection with Japanese Patent Application No. 2017-020086, dated Nov. 21, 2017, 4 pages.

Japanese Patent Office, "Notice of Rejection," issued in connection with Japanese Patent Application No. 2017-035886, dated Mar. 27, 2018, 17 pages.

European Patent Office, "Communication pursuant to Article 94(3) EPC," issued in connection with European Patent No. 13 821 412.7, dated Jun. 29, 2018, 5 pages.

European Patent Office, "Communication pursuant to Article 94(3) EPC," issued in connection with European Patent No. 13 821 412.7, dated Oct. 17, 2018, 4 pages.

European Patent Office, "Extended European Search Report," issued in connection with European Patent No. 19171575.4, dated Aug. 2, 2019, 8 pages.

United States Patent and Trademark Office, "Non-Final Office Action," issued in connection with U.S. Appl. No. 29/640,810, dated Jun. 14, 2019, 42 pages.

Japanese Patent Office, "Notice of Rejection," issued in connection with Japanese Patent Application No. 2018-121565, dated Jul. 23, 2019, 12 pages.

European Patent Office, "Extended European Search Report," issued in connection with European Patent No. 19177884.4, dated Sep. 27, 2019, 9 pages.

United States Patent and Trademark Office, "Non-Final Office Action," issued in connection with U.S. Appl. No. 29/640,815, dated Jun. 14, 2019, 6 pages.

United States Patent and Trademark Office, "Notice of Allowance and Fee(s) Due," issued in connection with U.S. Appl. No. 29/640,815, dated Oct. 4, 2019, 15 pages.

United States Patent and Trademark Office, "Notice of Allowance and Fee(s) Due," issued in connection with U.S. Appl. No. 29/640,810, dated Oct. 3, 2019, 14 pages.

United States Patent and Trademark Office, "Notice of Allowance and Fee(s) Due," issued in connection with U.S. Appl. No. 15/730,524, dated Jan. 2, 2020, 7 pages.

Japanese Patent Office, "Notice of Rejection," issued in connection with application No. 2018-244230 dated Feb. 4, 2020, translation included, 15 pages.

National Intellectual Property Administration, P. R. China, "First Office Action," issued in connection with application No. 201810153773.1 dated Jun. 16, 2020, 14 pages.

United States Patent and Trademark Office, "Non-Final Office Action," issued in connection with U.S. Appl. No. 16/107,826, dated May 18, 2020, 15 pages.

(56)

References Cited

OTHER PUBLICATIONS

National Intellectual Property Administration, P. R. China, "First Office Action," issued in connection with Chinese Patent Application No. 201810204160.6, dated Jul. 28, 2020, 16 pages.

European Patent Office, "Communication pursuant to Article 94(3) EPC," issued in connection with European Patent Application No. 19171575.4, dated Sep. 30, 2020, 5 pages.

United States Patent and Trademark Office, "Non-Final Office Action," issued in connection with U.S. Appl. No. 29/721,479, dated Apr. 8, 2020, 7 pages.

United States Patent and Trademark Office, "Notice of Allowance and Fee(s) Due," issued in connection with U.S. Appl. No. 29/721,479, dated Aug. 14, 2020, 5 pages.

National Intellectual Property Administration, P. R. China, "First Office Action," issued in connection with Chinese Patent Application No. 201810199910.5, dated Jun. 16, 2020, 22 pages.

National Intellectual Property Administration, P. R. China, "Second Office Action," issued in connection with application No. 201810199910.5 dated Dec. 7, 2020, 18 pages.

United States Patent and Trademark Office, "Restriction Requirement," issued in connection with U.S. Appl. No. 15/730,524, dated Aug. 9, 2019, 5 pages.

United States Patent and Trademark Office, "Notice of Allowance and Fee(s) Due," issued in connection with U.S. Appl. No. 13/801,154, dated Jul. 29, 2016, 5 pages.

United States Patent and Trademark Office, "Notice of Allowance," issued in connection with U.S. Appl. No. 13/801,154, dated Apr. 5, 2016, 5 pages.

United States Patent and Trademark Office, "Notice of Allowance," issued in connection with U.S. Appl. No. 29/721,476, dated Jun. 24, 2020, 4 pages.

United States Patent and Trademark Office, "Non-Final Office Action," issued in connection with U.S. Appl. No. 29/721,479, dated Apr. 8, 2020, 8 pages.

United States Patent and Trademark Office, "Notice of Allowance," issued in connection with U.S. Appl. No. 29/721,479, dated Aug. 14, 2020, 5 pages.

United States Patent and Trademark Office, "Notice of Allowance," issued in connection with U.S. Appl. No. 16/107,826, dated Oct. 23, 2020, 9 pages.

Japanese Patent Office, "Notice of Rejection," issued in connection with Japanese Patent Application No. 2020-062151, dated Jan. 19, 2021, 6 pages.

European Patent Office, "Communication under Rule 71(3) EPC," issued in connection with European Patent No. 19177884.4, dated Feb. 15, 2021, 45 pages.

National Intellectual Property Administration, P. R. China, "Notification to Grant," issued in connection with Chinese Patent Application No. 201810153773.1, dated Dec. 21, 2020, 4 pages.

National Intellectual Property Administration, P. R. China, "Third Office Action," issued in connection with Chinese Patent Application No. 201810199910.5, dated Apr. 9, 2021, 11 pages.

National Intellectual Property Administration, P. R. China, "Second Office Action," issued in connection with Chinese Patent Application No. 201810204160.6, dated Apr. 16, 2021, 13 pages.

United States Patent and Trademark Office, "Corrected Notice of Allowability," issued in connection with U.S. Appl. No. 29/531,434, dated Jun. 6, 2018, 4 pages.

European Patent Office, "Communication under Rule 71(3) EPC," issued in connection with European Patent No. 19171575.4, dated Jul. 22, 2021, 40 pages.

European Patent Office, "Extended European Search Report," issued in connection with European Patent No. 21184185.3, dated Nov. 4, 2021, 8 pages.

Japanese Patent Office, "Notice of Rejection," issued in connection with Japanese Patent Application No. 2020-062151, dated Oct. 19, 2021, 4 pages. (w/English Translation).

Japanese Patent Office, "Notice of Rejection," issued in connection with Japanese Patent Application No. 2020-184185, dated Oct. 19, 2021, 13 pages. (w/English Translation).

National Intellectual Property Administration, P. R. China, "Third Office Action," issued in connection with Chinese Patent Application No. 201810204160.6, dated Aug. 30, 2021, 7 pages.

National Intellectual Property Administration, P. R. China, "Fourth Office Action," issued in connection with Chinese Patent Application No. 201810204160.6, dated Dec. 22, 2021, 7 pages.

United States Patent and Trademark Office, "Ex Parte Quayle Action," issued in connection with U.S. Appl. No. 29/762,684 on Feb. 3, 2022, 6 pages.

Hamilton, "60 ml Black Reagent Reservoir, Self-Standing with Lid, Bulk". Online, published date unknown. Retrieved on Jan. 30, 2022 from URL: <https://www.hamiltoncompany.com/automated-liquid-handling/other-robotics/56694-03>, 1 page.

European Patent Office, "Extended European Search Report," issued in connection with European Patent Application No. 21211248.6, dated Mar. 15, 2022, 46 pages.

United States Patent and Trademark Office, "Notice of Allowance and Fee(s) Due", issued in connection with U.S. Appl. No. 29/762,684 dated Apr. 20, 2022, 5 pages.

European Patent Office, "Communication pursuant to Article 94(3) EPC," issued in connection with European Patent Application No. 13821411.9, dated Jun. 7, 2017, 8 pages.

European Patent Office, "Communication pursuant to Article 94(3) EPC," issued in connection with European Patent Application No. 13821411.9, dated Feb. 26, 2018, 5 pages.

* cited by examiner

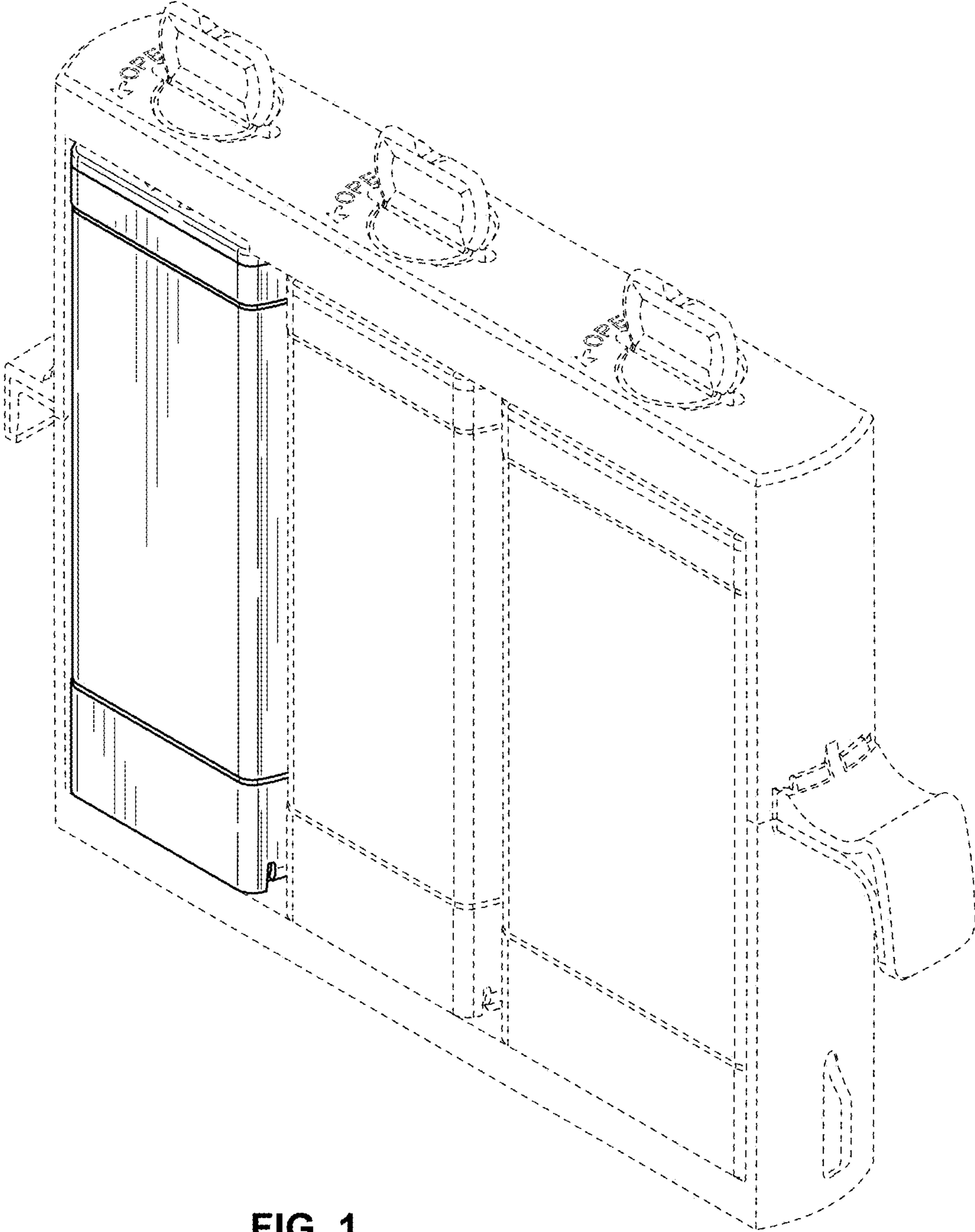


FIG. 1

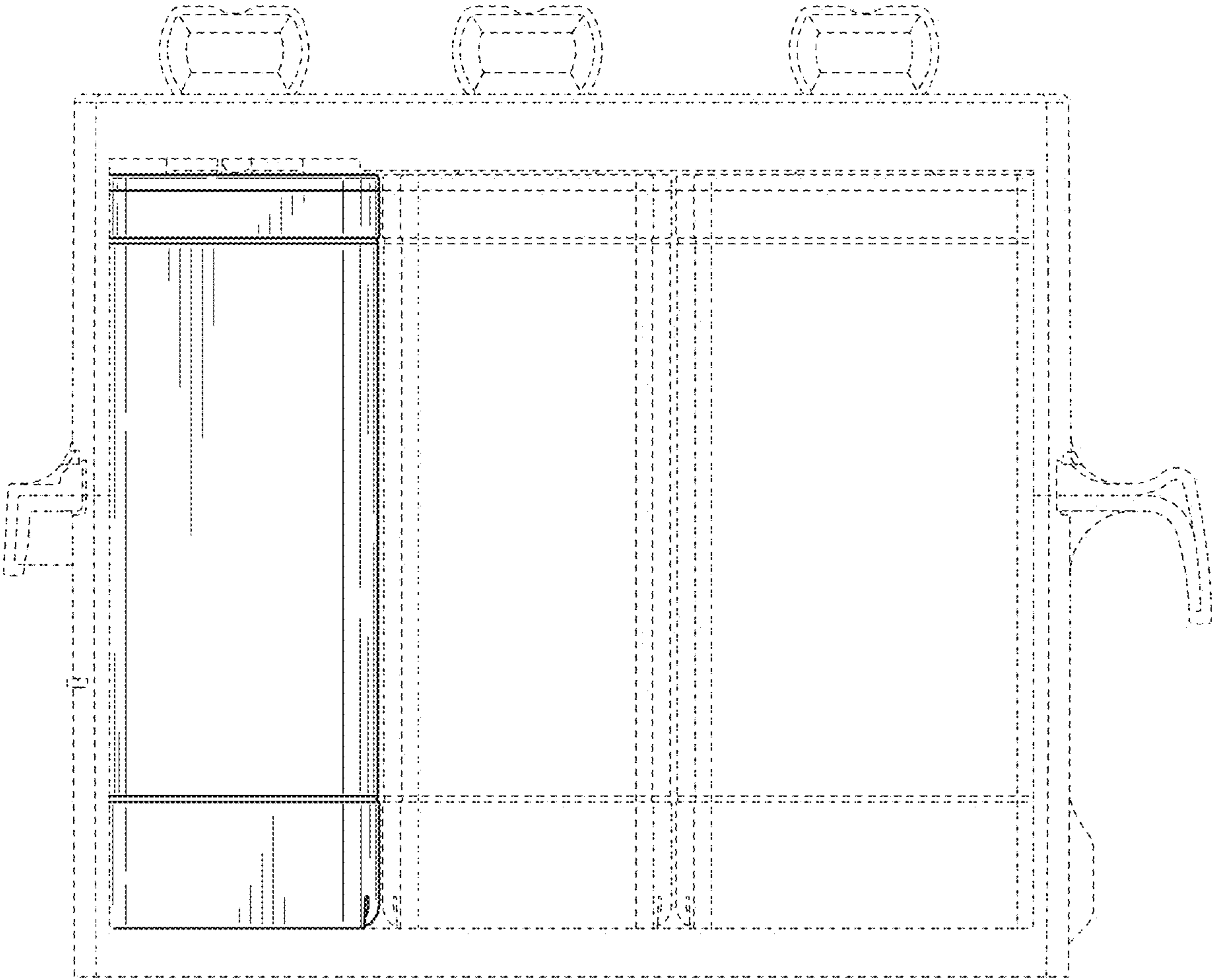


FIG. 2

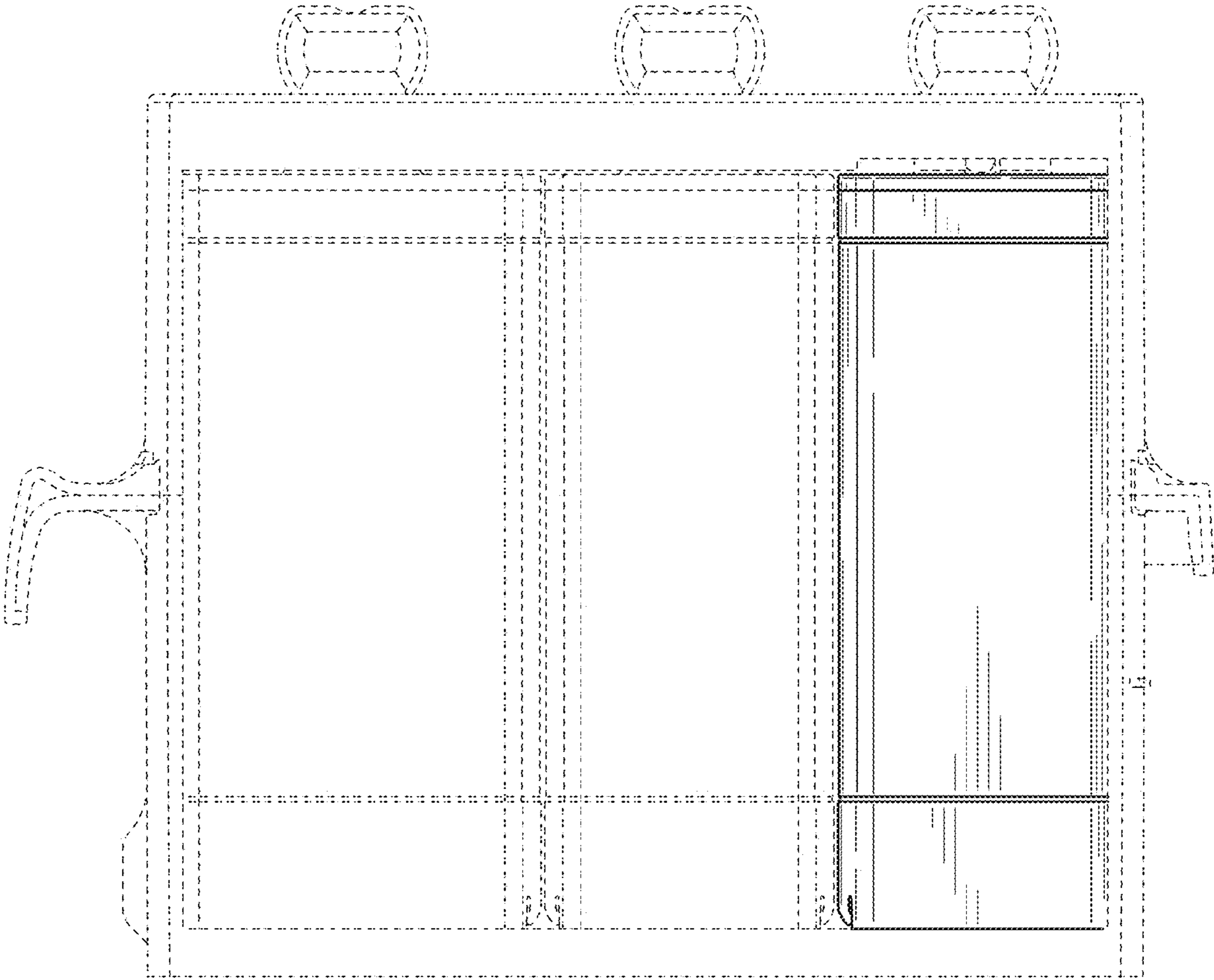


FIG. 3