



US00D978374S

(12) **United States Design Patent**
Molitor et al.

(10) **Patent No.:** **US D978,374 S**

(45) **Date of Patent:** **** Feb. 14, 2023**

(54) **PIPETTE**

(71) Applicant: **Eppendorf AG**, Hamburg (DE)

(72) Inventors: **Peter Molitor**, Hamburg (DE); **Helen Hahn**, Prisdorf (DE); **Anne Herklotz**, Hamburg (DE); **Florian Tesch**, Hamburg (DE); **Peter Schmidt**, Lübeck (DE)

(**) Term: **15 Years**

(21) Appl. No.: **35/511,878**

(22) Filed: **Nov. 20, 2020**

(80) **Hague Agreement Data**

Int. Filing Date: **Nov. 20, 2020**

Int. Reg. No.: **DM/211367**

Int. Reg. Date: **Nov. 20, 2020**

Int. Reg. Pub. Date: **May 21, 2021**

(51) **LOC (14) Cl.** **24-02**

(52) **U.S. Cl.**

USPC **D24/222**

CPC **B01L 3/0279** (2013.01)

(58) **Field of Classification Search**

USPC D24/216, 222–226, 231, 232

CPC B01L 3/0279; B01L 3/0227; B01L 3/0286;

B01L 2300/06; B01L 2200/023; B01L

2200/14; B01L 2400/0487; B01L

2300/0832; B01L 2200/087

See application file for complete search history.

(56) **References Cited**

U.S. PATENT DOCUMENTS

5,021,217 A * 6/1991 Oshikubo B01L 3/0217

422/923

D375,798 S * 11/1996 Boothby D24/222

D438,630 S * 3/2001 Honore D24/222

D584,418 S *	1/2009	Rylski	D24/222
D584,828 S *	1/2009	Rylski	D24/222
D625,429 S *	10/2010	Link	D24/222
D635,273 S *	3/2011	Malvoisin	D24/222
D664,263 S *	7/2012	Ramsamy	D24/222
D672,469 S *	12/2012	Christensen	D24/222
D697,633 S *	1/2014	Hintikka	D24/222
D703,828 S *	4/2014	Jackson	D24/222
9,339,811 B2 *	5/2016	Schmidt	B01L 3/0279
D770,056 S *	10/2016	LaCroix	D24/222
D798,469 S *	9/2017	Malvoisin	D24/222
9,815,053 B2 *	11/2017	Moriarty	B01L 3/0231
D807,525 S *	1/2018	Sanchez	D24/222
D809,668 S *	2/2018	Ramsamy	D24/222
D875,964 S *	2/2020	Doebele	D24/222
D876,664 S *	2/2020	Malvoisin	D24/222
D917,716 S *	4/2021	Malvoisin	D24/222
D917,717 S *	4/2021	Doebele	D24/222
D924,429 S *	7/2021	Küber et al.	D24/222
2012/0107193 A1 *	5/2012	Salo	B01L 3/0244
				422/501
2012/0198947 A1 *	8/2012	Lind	B01L 3/021
				73/864.01
2020/0215529 A1 *	7/2020	Tesch	B01L 3/0279

* cited by examiner

Primary Examiner — Richard E Chilcot

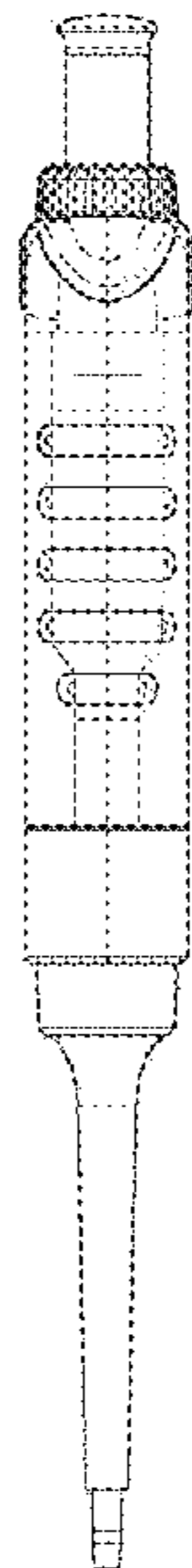
(57) **CLAIM**

The ornamental design for a pipette, as shown and described.

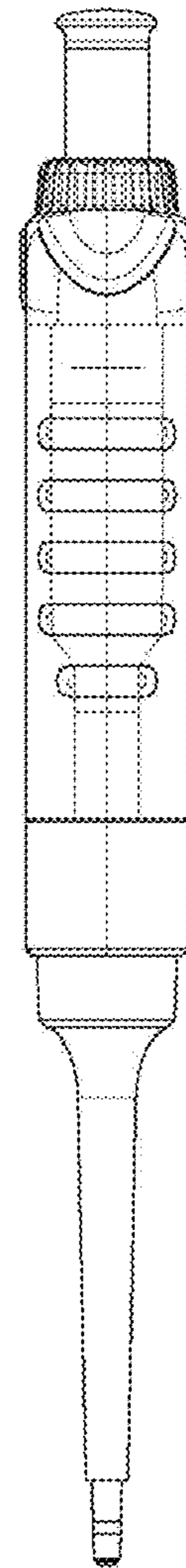
DESCRIPTION

- 1. Pipette
- 1.1 : Back
- 1.2 : Bottom
- 1.3 : Front
- 1.4 : Left
- 1.5 : Perspective
- 1.6 : Right
- 1.7 : Top

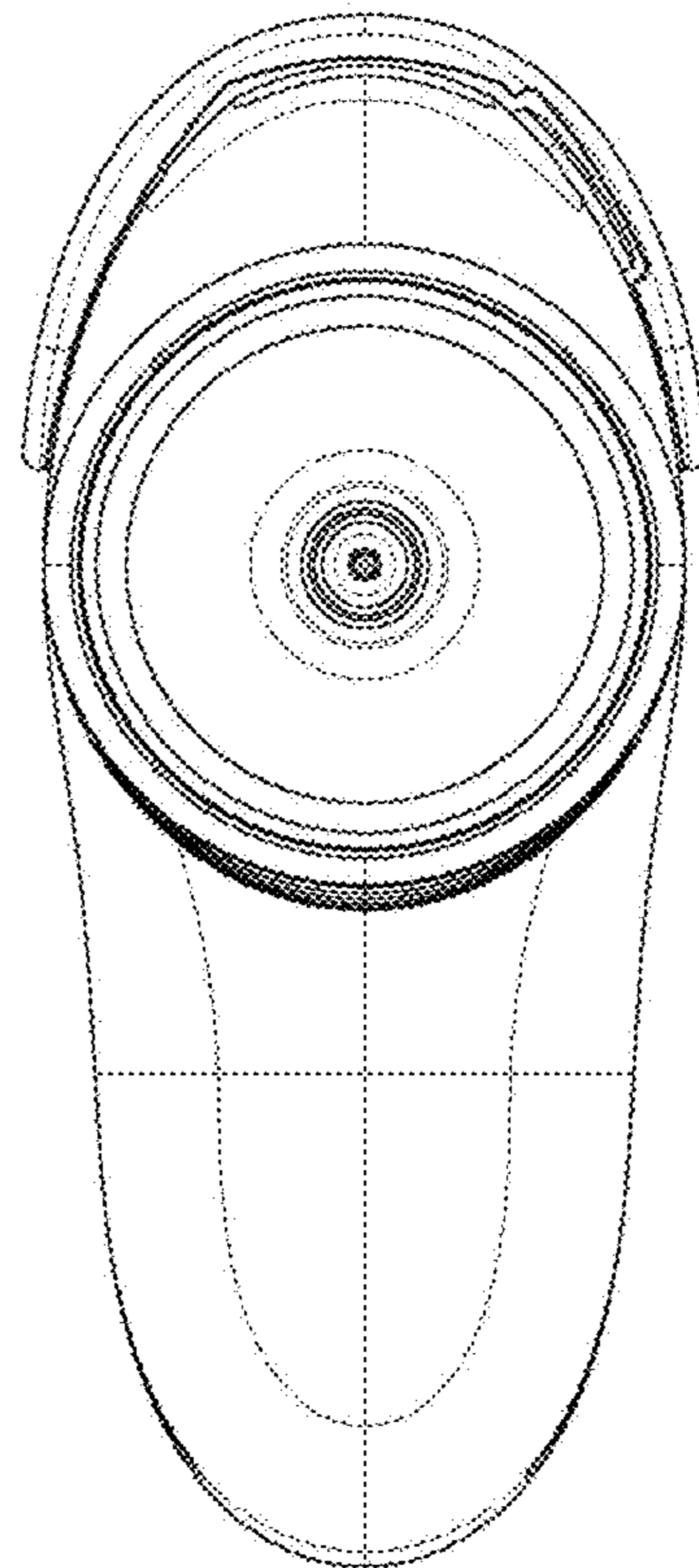
1 Claim, 7 Drawing Sheets



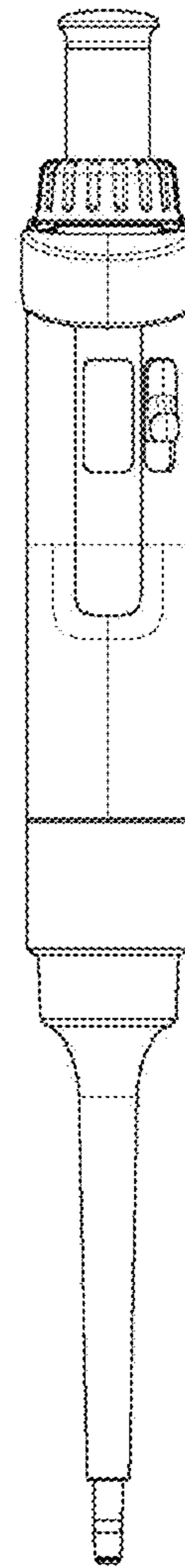
1.1



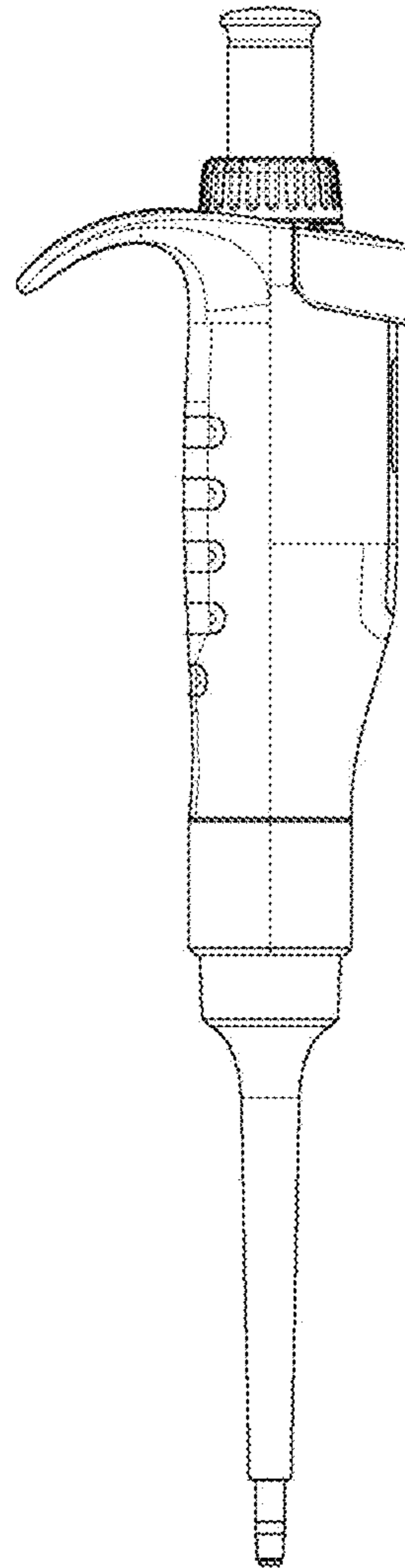
1.2



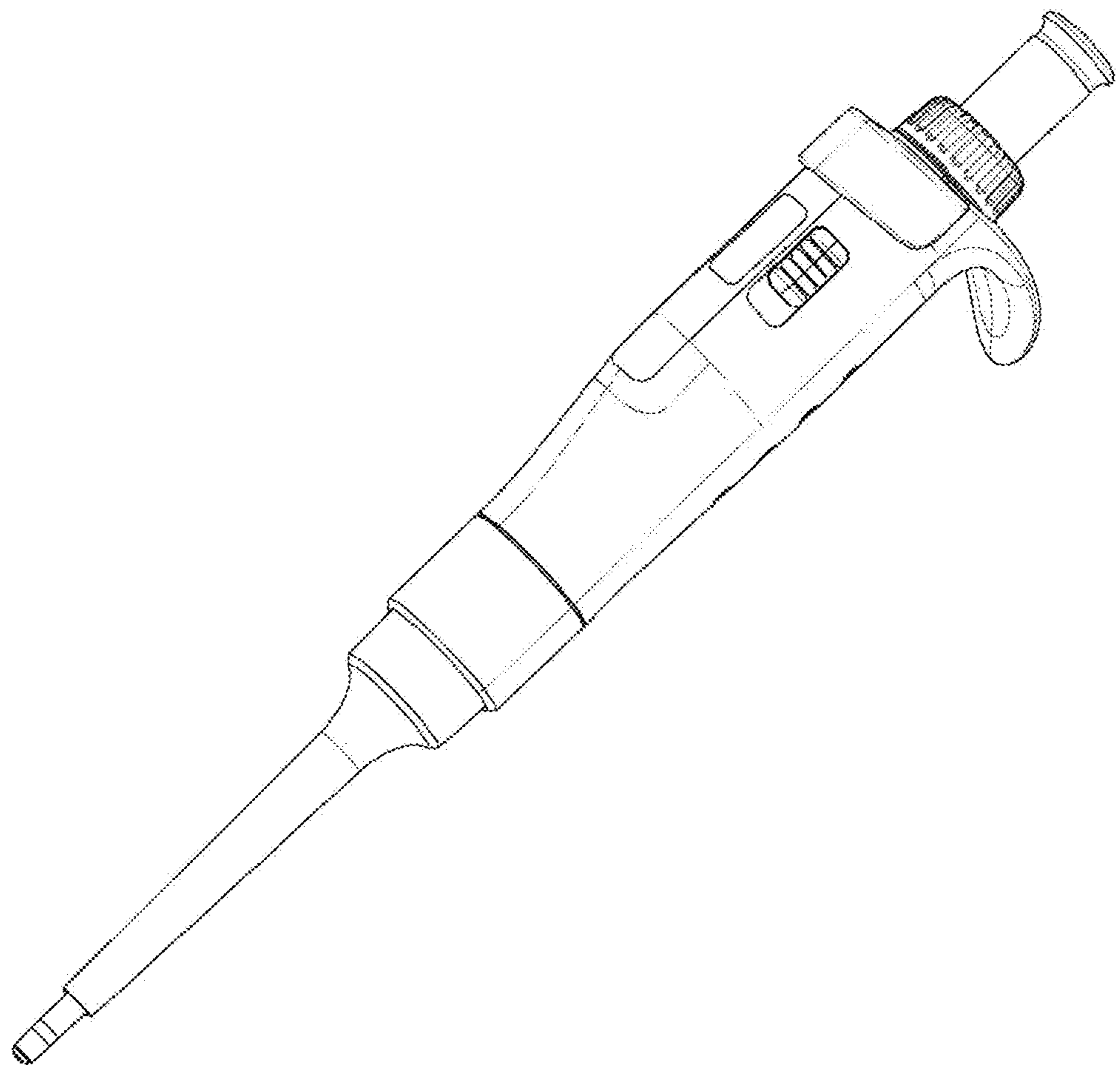
1.3



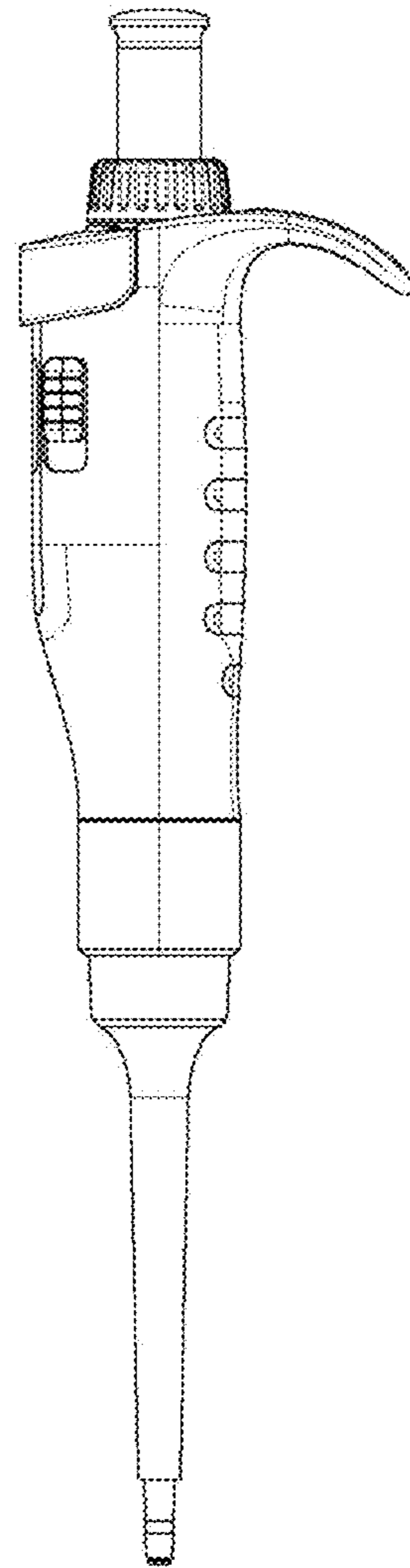
1.4



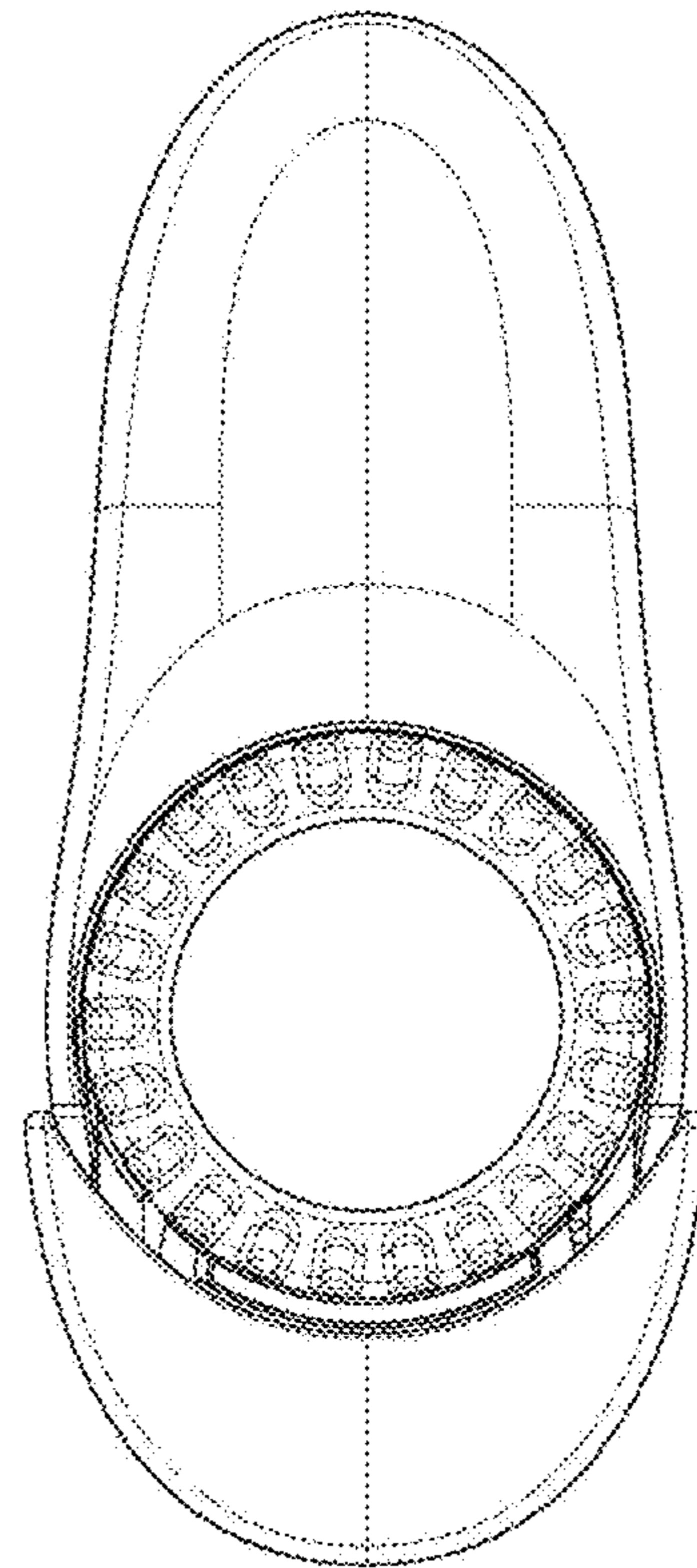
1.5



1.6



1.7



UNITED STATES PATENT AND TRADEMARK OFFICE
CERTIFICATE OF CORRECTION

PATENT NO. : D978,374 S
APPLICATION NO. : 35/511878
DATED : February 14, 2023
INVENTOR(S) : Molitor et al.

Page 1 of 1

It is certified that error appears in the above-identified patent and that said Letters Patent is hereby corrected as shown below:

On the Title Page

Item (30) should read:

Foreign Application Priority Data

May 20, 2020 (CN).....202030236287.4

Signed and Sealed this
Twenty-fifth Day of April, 2023
Katherine Kelly Vidal

Katherine Kelly Vidal
Director of the United States Patent and Trademark Office