



US00D978372S

(12) **United States Design Patent**
Jung et al.

(10) **Patent No.:** **US D978,372 S**
(45) **Date of Patent:** **** Feb. 14, 2023**

(54) **CLEANING INDICATOR**

(71) Applicant: **Mesa Laboratories, Inc.**, Lakewood, CO (US)

(72) Inventors: **Pete Jung**, Lakewood, CO (US);
Charlie McLaughlin, Bozeman, MT (US); **Toni Seis**, München-Riem (DE);
Sven Kasemann, München-Riem (DE)

(73) Assignee: **Mesa Laboratories, Inc.**, Lakewood, CO (US)

(**) Term: **15 Years**

(21) Appl. No.: **29/782,649**

(22) Filed: **May 7, 2021**

Related U.S. Application Data

(63) Continuation-in-part of application No. 17/229,378, filed on Apr. 13, 2021.

(51) **LOC (14) Cl.** **24-01**

(52) **U.S. Cl.**
USPC **D24/217**

(58) **Field of Classification Search**
USPC D24/216, 217, 218, 219, 231, 232, 234,
D24/209, 210, 227; D32/1

(Continued)

(56) **References Cited**

U.S. PATENT DOCUMENTS

D242,656 S * 12/1976 Kelson D24/217
D253,492 S * 11/1979 Augurt D24/217

(Continued)

FOREIGN PATENT DOCUMENTS

DE 29909783 U1 12/1999

OTHER PUBLICATIONS

TOSI® Test System, Healthmark Industries, <https://www.hmark.com/tosi.php>, two pages, Jul. 2, 2021.

(Continued)

Primary Examiner — Anhdao Doan

(74) *Attorney, Agent, or Firm* — Breiner & Breiner, L.L.C.

(57) **CLAIM**

The ornamental design for a cleaning indicator, as shown and described.

DESCRIPTION

FIG. 1 is a top perspective view of a first embodiment of a cleaning indicator;

FIG. 2 is a bottom perspective view of the cleaning indicator of FIG. 1;

FIG. 3 is a top view of the cleaning indicator of FIG. 1;

FIG. 4 is a bottom view of the cleaning indicator of FIG. 1;

FIG. 5 is a first side view of the cleaning indicator of FIG. 1;

FIG. 6 is a second side view of the cleaning indicator of FIG. 1;

FIG. 7 is a first end view of the cleaning indicator of FIG. 1;

FIG. 8 is a second end view of the cleaning indicator of FIG. 1;

FIG. 9 is a top perspective view of a second embodiment of a cleaning indicator;

FIG. 10 is a bottom perspective view of the cleaning indicator of FIG. 9;

FIG. 11 is a top view of the cleaning indicator of FIG. 9;

FIG. 12 is a bottom view of the cleaning indicator of FIG. 9;

FIG. 13 is a first side view of the cleaning indicator of FIG. 9;

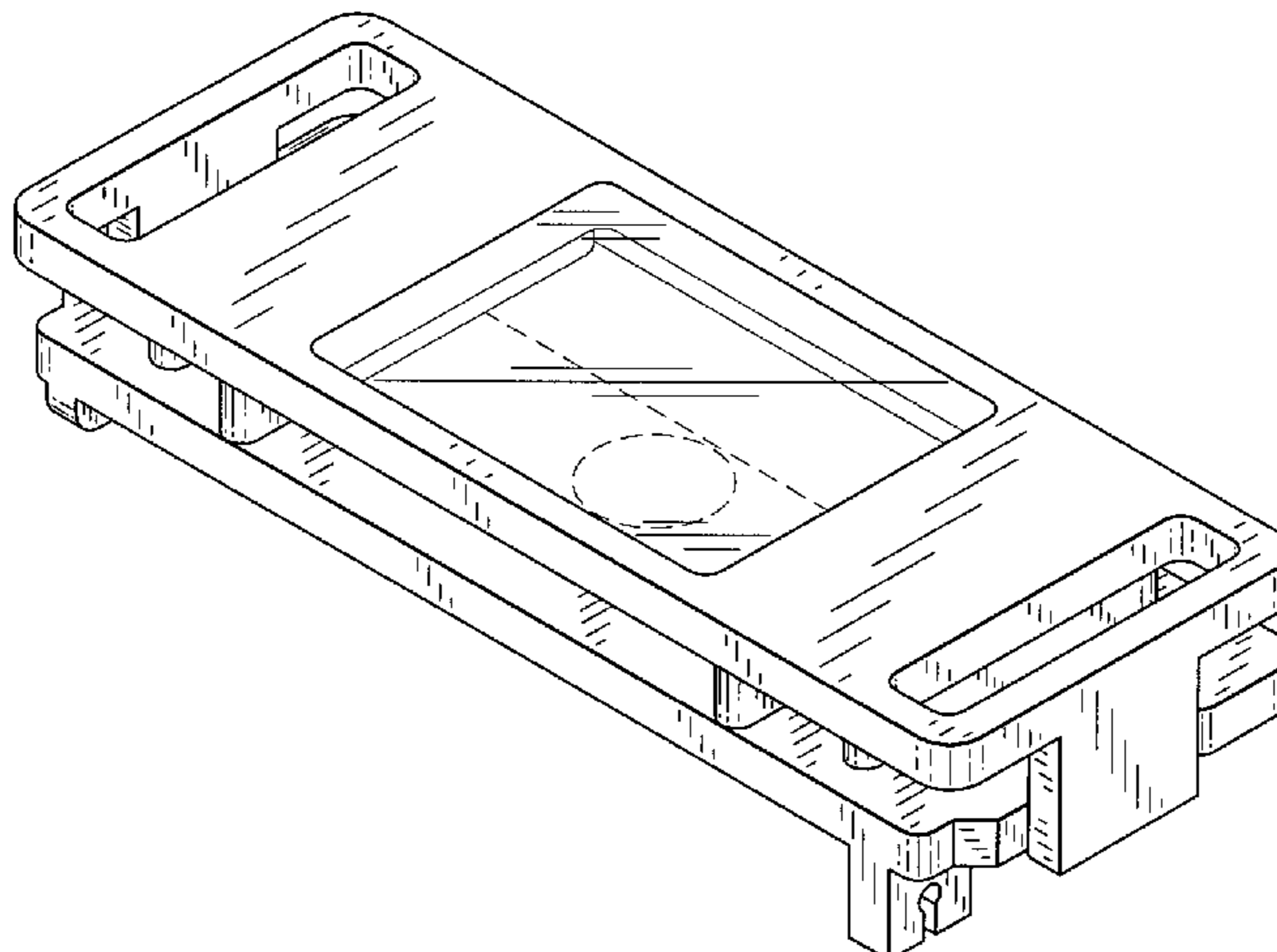
FIG. 14 is a second side view of the cleaning indicator of FIG. 9;

FIG. 15 is a first end view of the cleaning indicator of FIG. 9; and,

FIG. 16 is a second end view of the cleaning indicator of FIG. 9.

The broken lines in FIGS. 1, 3, 9-14 represent environmental subject matter and form no part of the claimed design. The

(Continued)



broken lines in FIGS. 5 and 6 illustrate portions of the cleaning indicator that form no part of the claimed design.

1 Claim, 10 Drawing Sheets

(58) **Field of Classification Search**

CPC A61L 2/26; A61L 2/24; A61L 2/07; A61L 2/08; A61L 2/18; A61L 2/25; A61L 2202/122; A61L 2202/11; A61L 2202/14; A61L 2202/23; A61L 2202/24; A61L 2202/25; A61L 2/04; A61L 2/14; A61B 90/70; A61B 2090/701

See application file for complete search history.

(56) **References Cited**

U.S. PATENT DOCUMENTS

5,270,217 A * 12/1993 Dyke A61L 2/28
422/26
5,928,948 A * 7/1999 Malchesky A61L 2/28
436/56

D433,511 S * 11/2000 Nieves D24/217
D439,344 S * 3/2001 Hehenberger D24/217
D878,620 S * 3/2020 Nathan D24/217
2014/0079589 A1* 3/2014 Landgrebe A61L 2/20
96/417
2016/0022853 A1* 1/2016 Hajime A61L 2/28
206/370
2022/0001064 A1* 1/2022 Jung G01M 99/005

OTHER PUBLICATIONS

Serim® Research Corporation, Pinnacle Monitor For Automated Enzymatic Cleaning (AEC) Process, Overview, 13 Pages, May 2020.

Simicon GmbH, München, Germany, Simicon RI Product Brochure, Sep. 2017, 4 Pages.

* cited by examiner

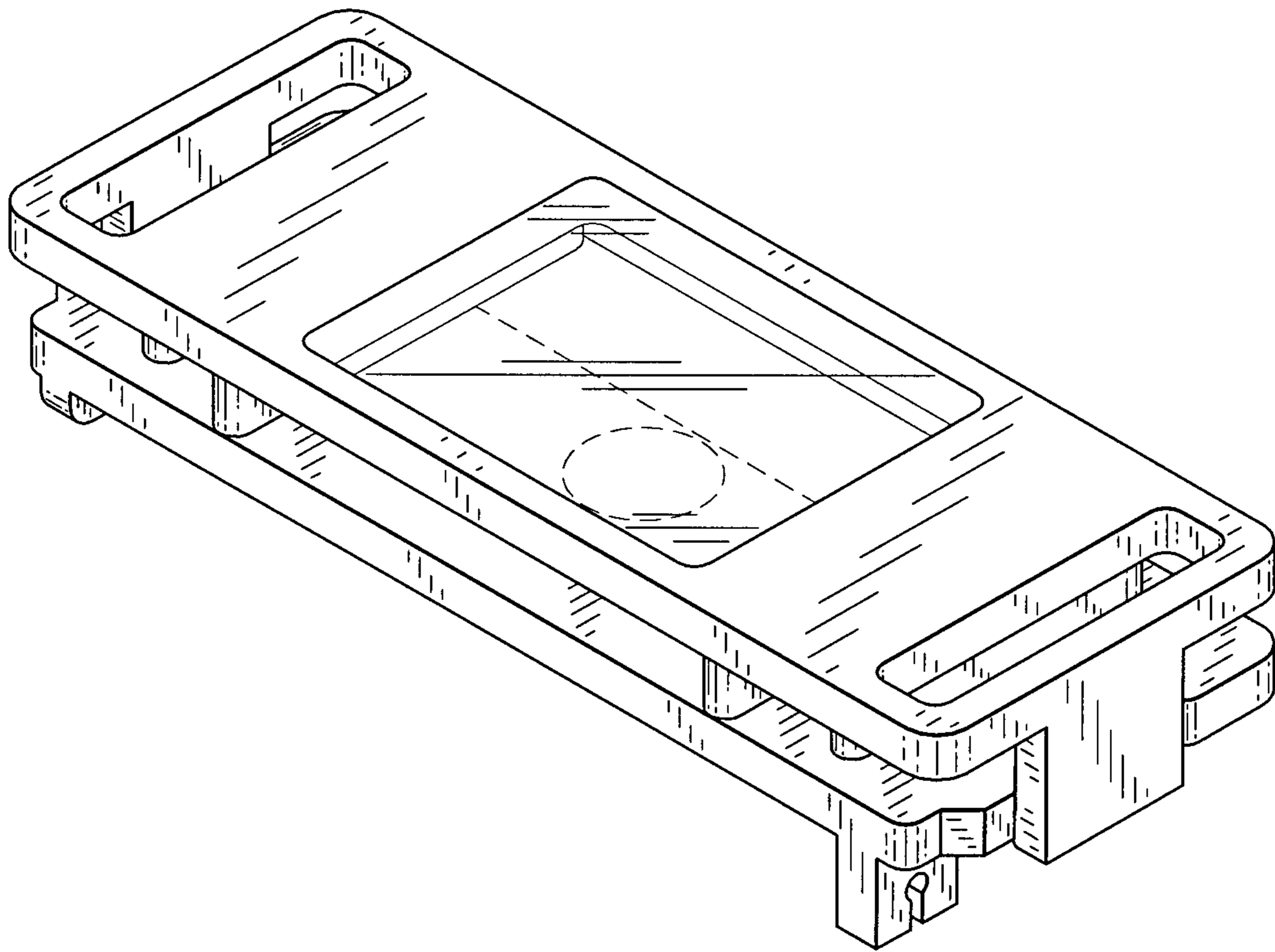


FIG. 1

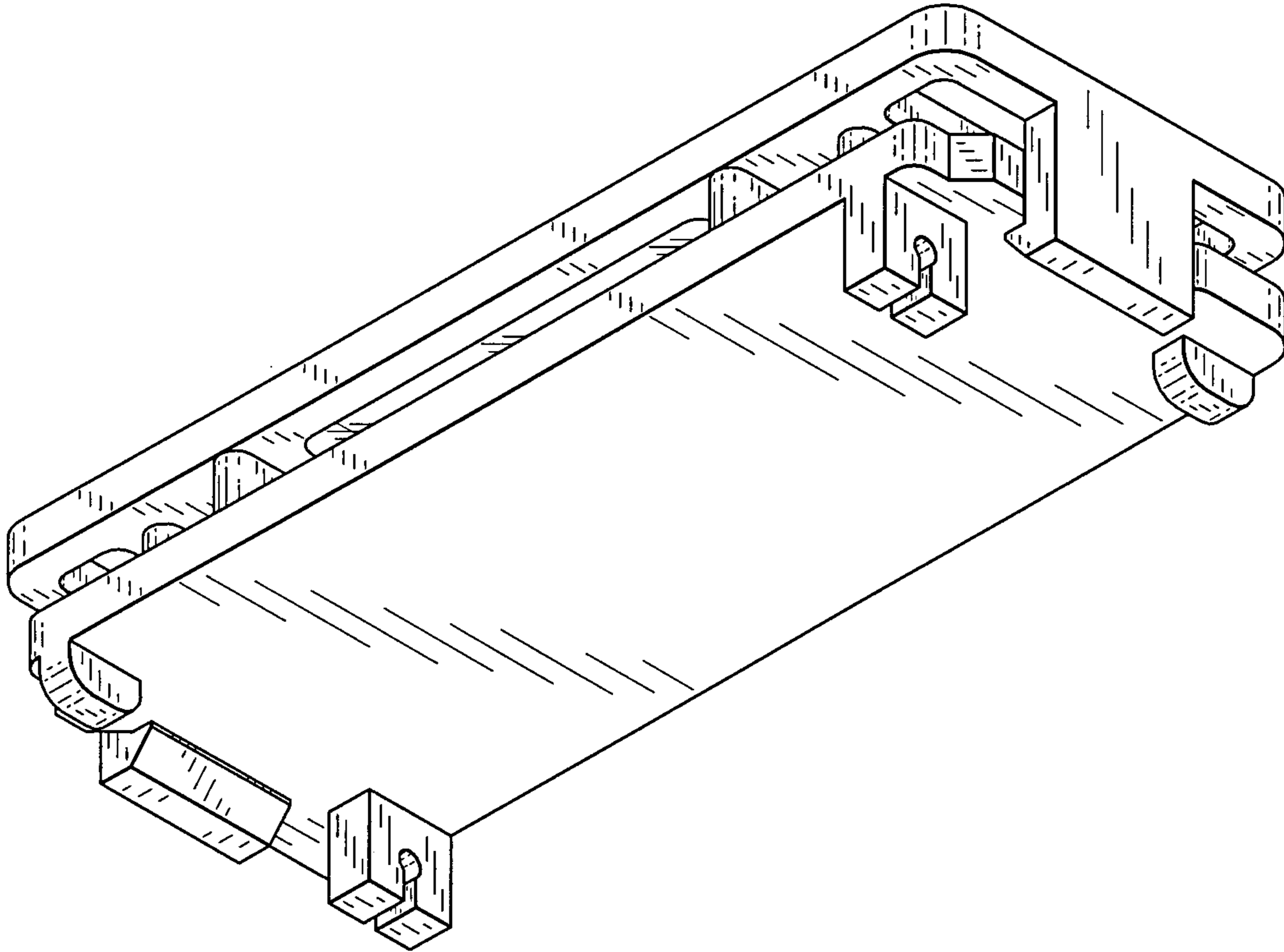


FIG. 2

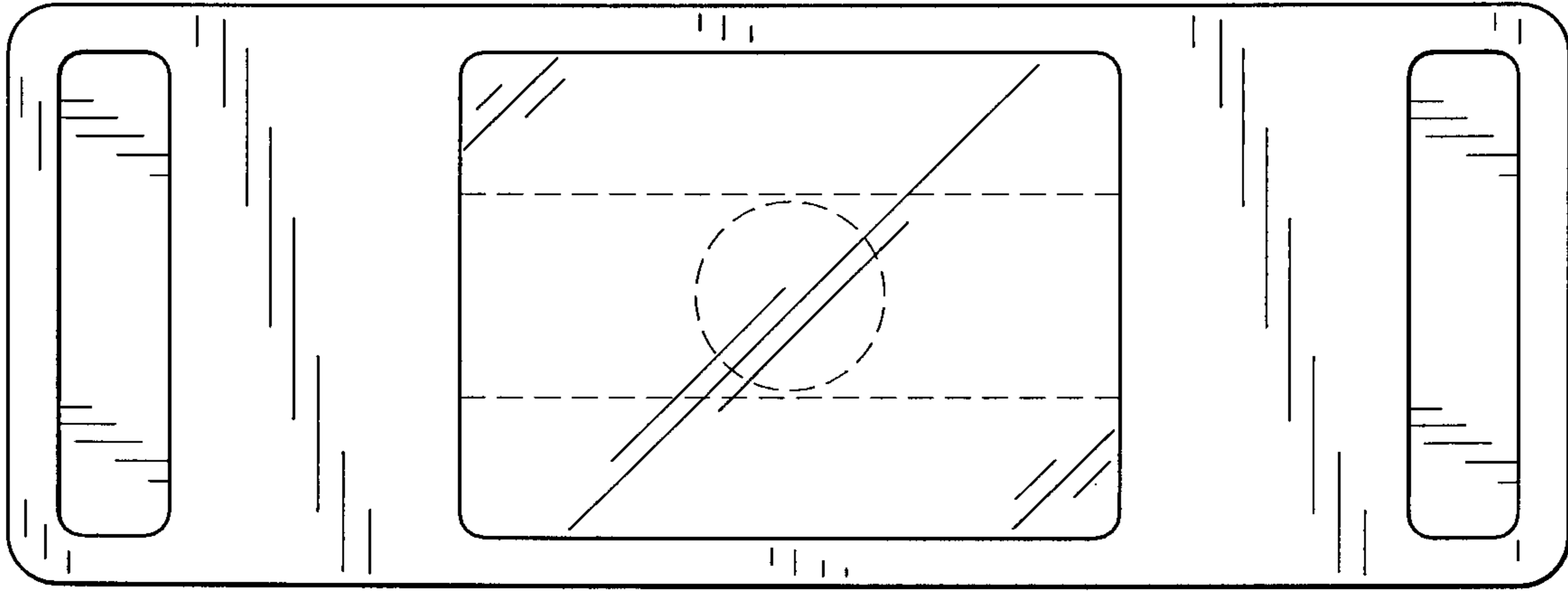


FIG. 3

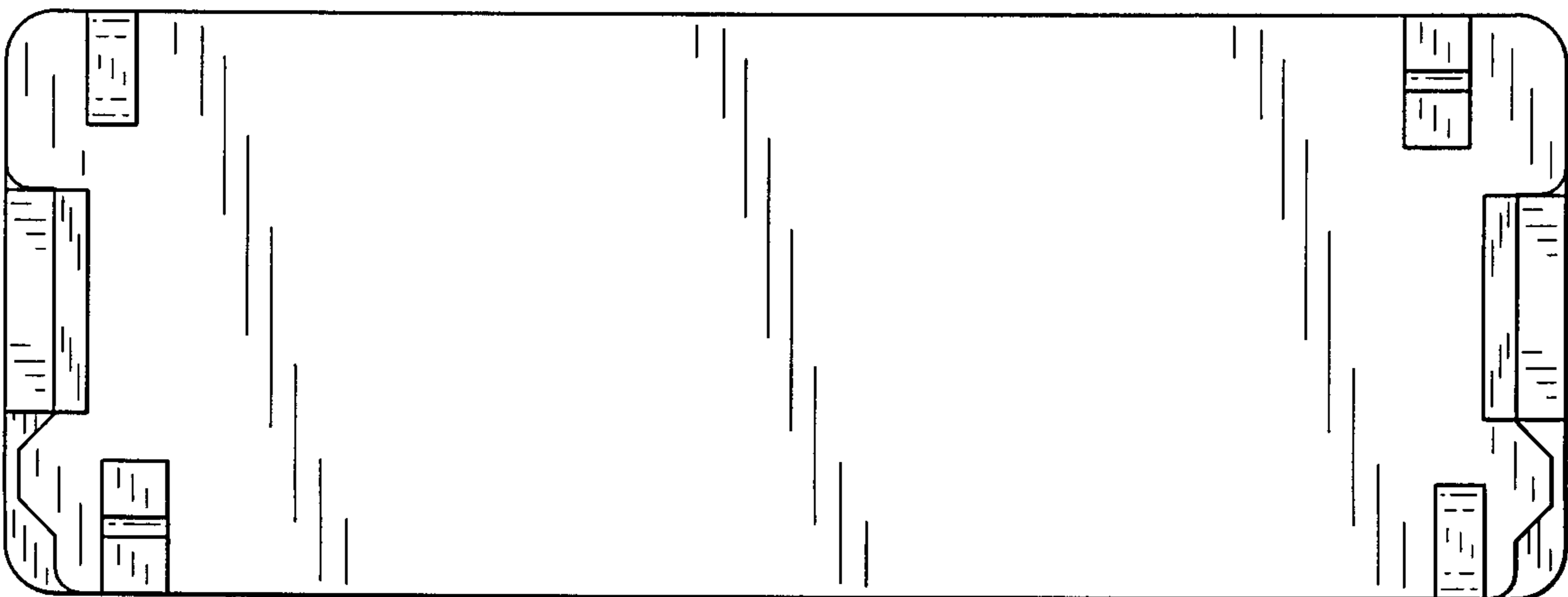


FIG. 4

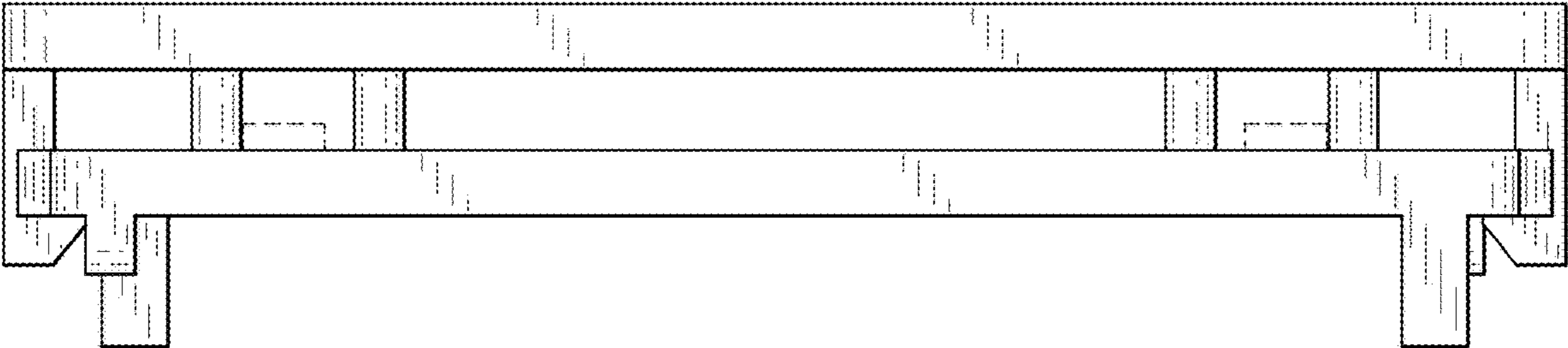


FIG. 5

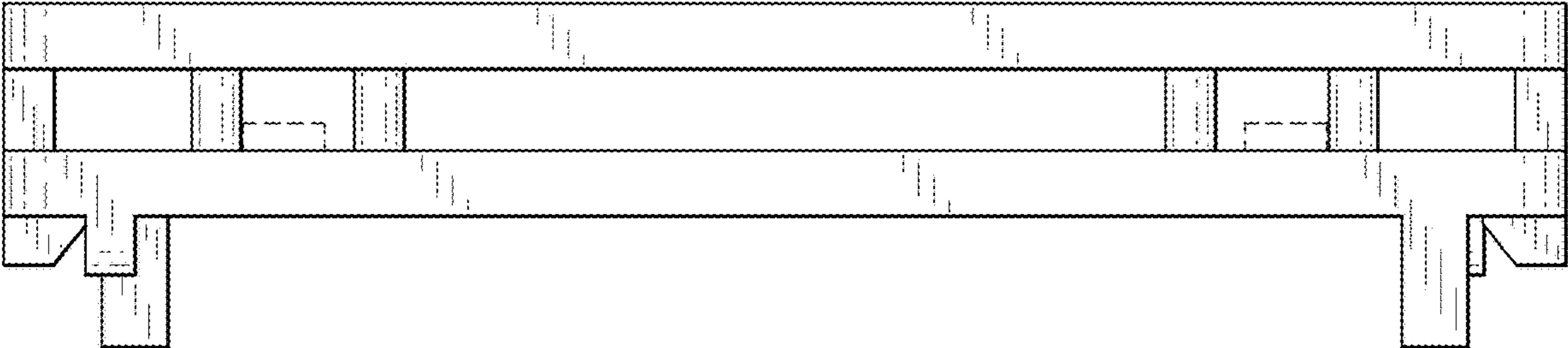


FIG. 6

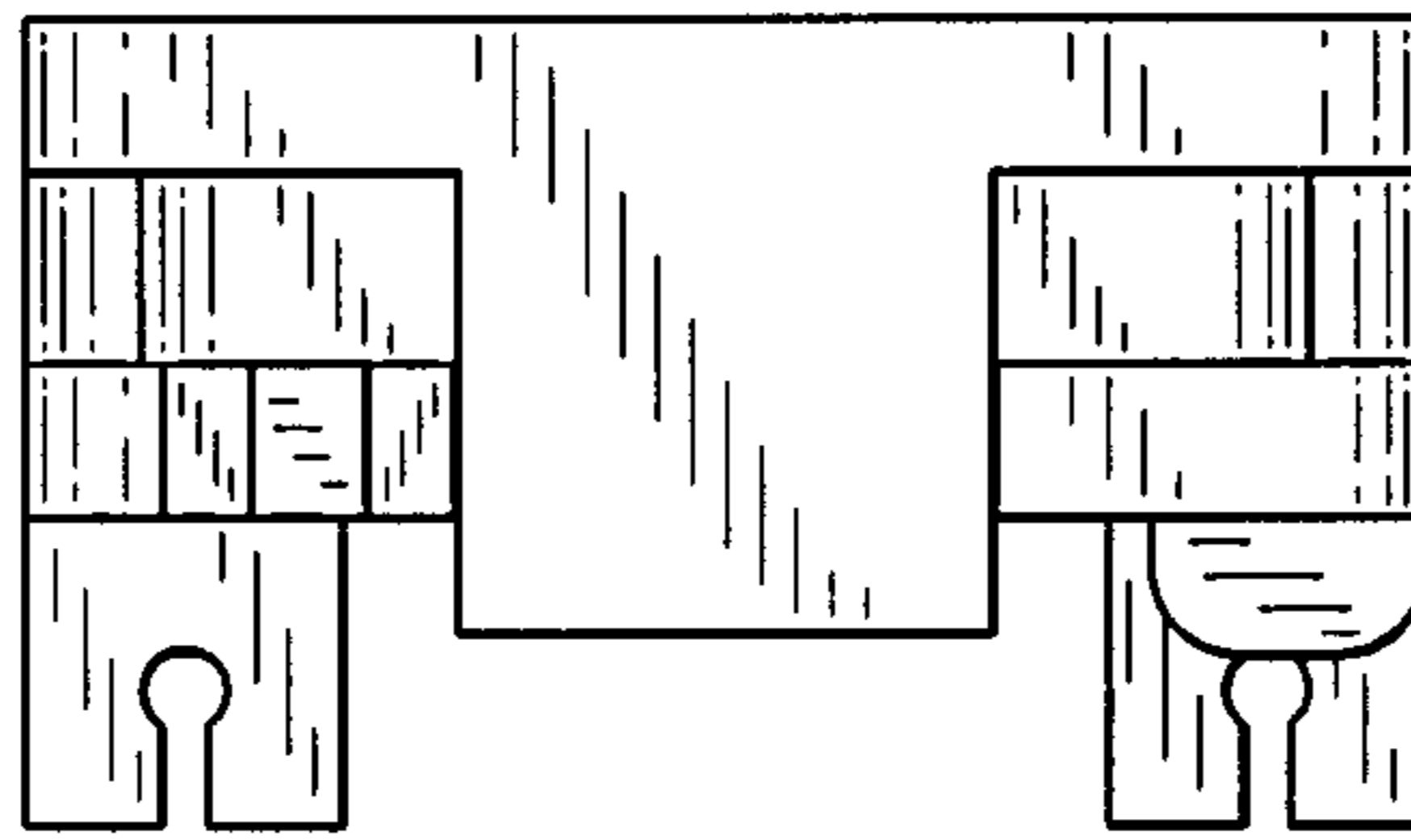


FIG. 7

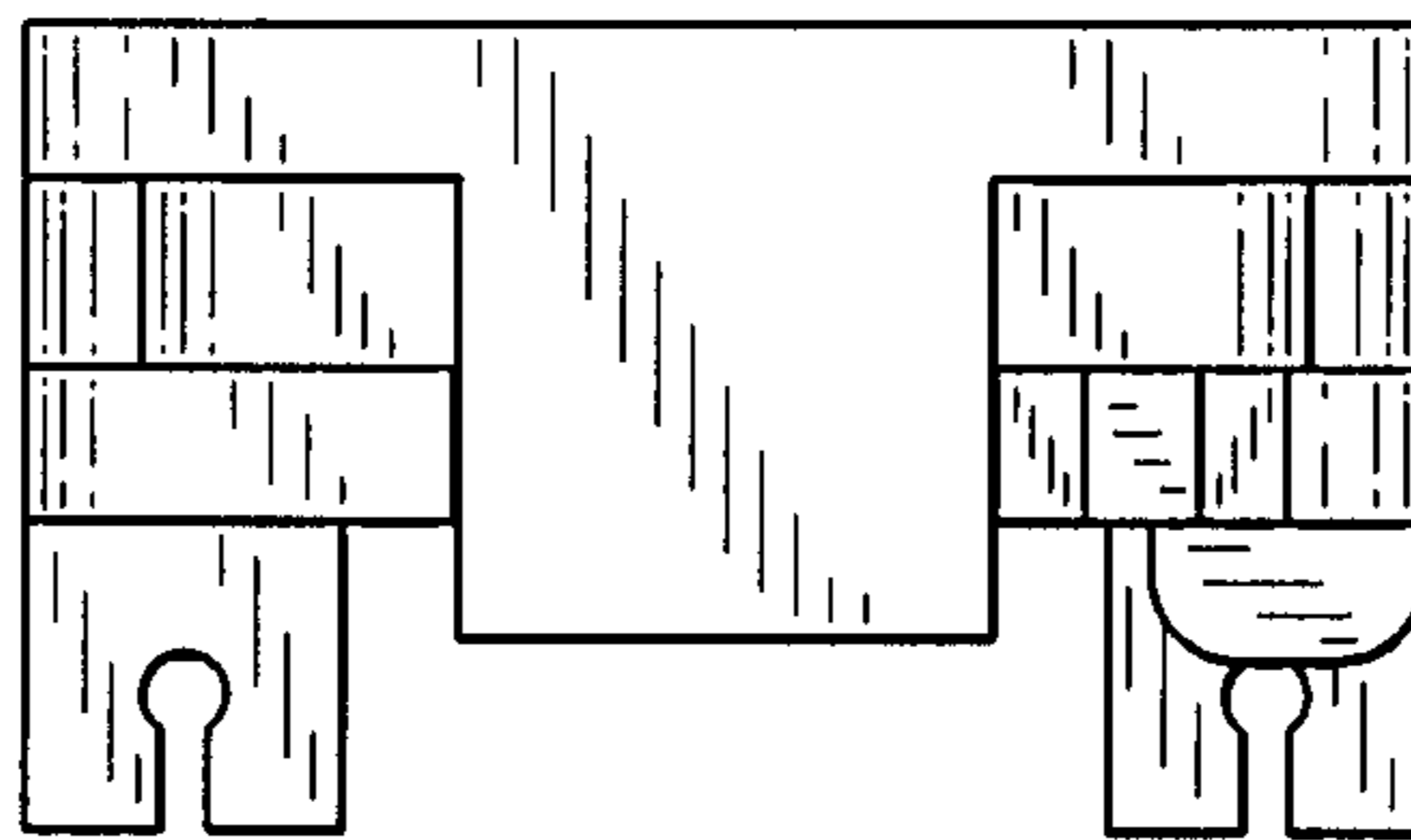


FIG. 8

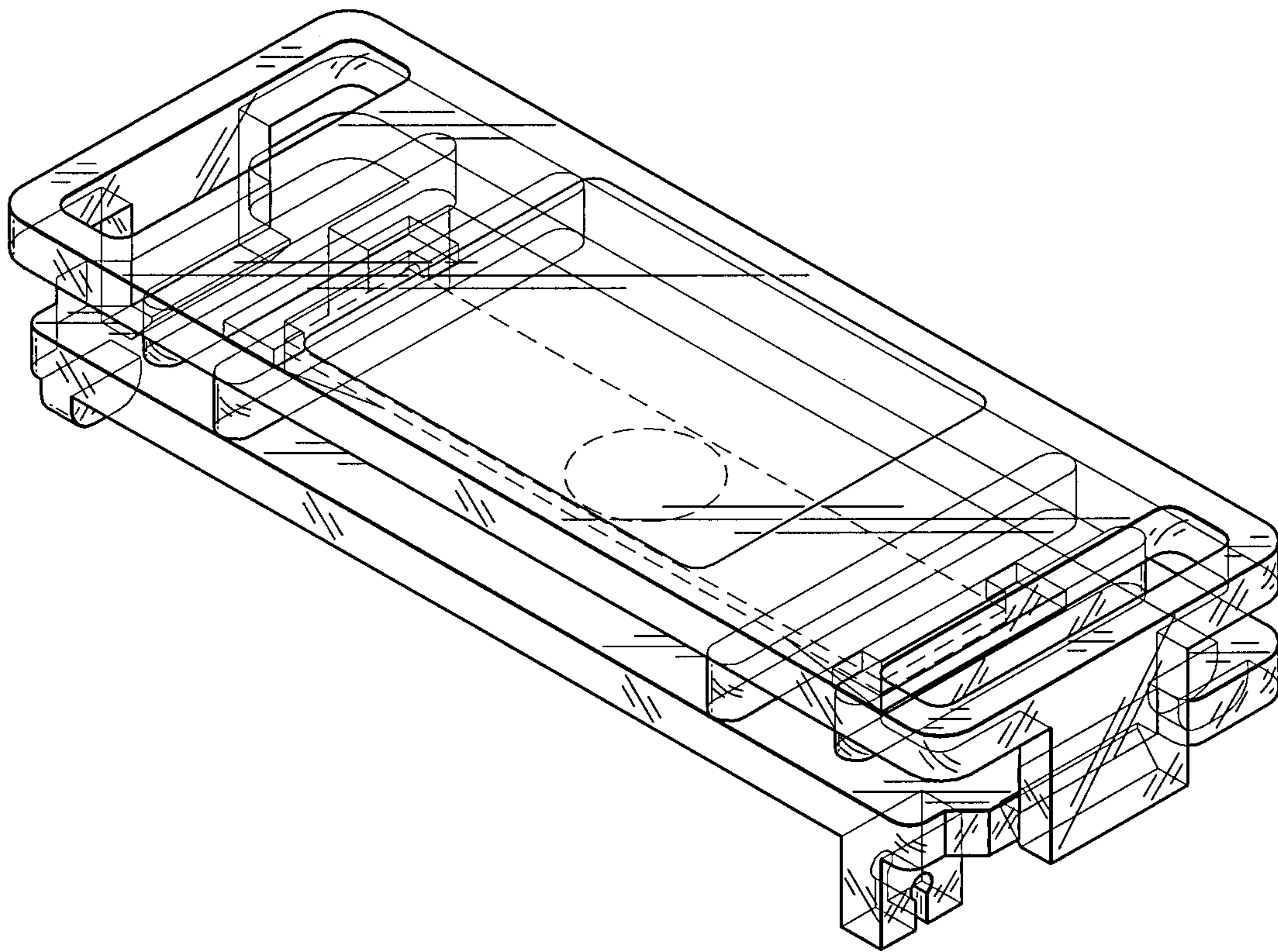


FIG. 9

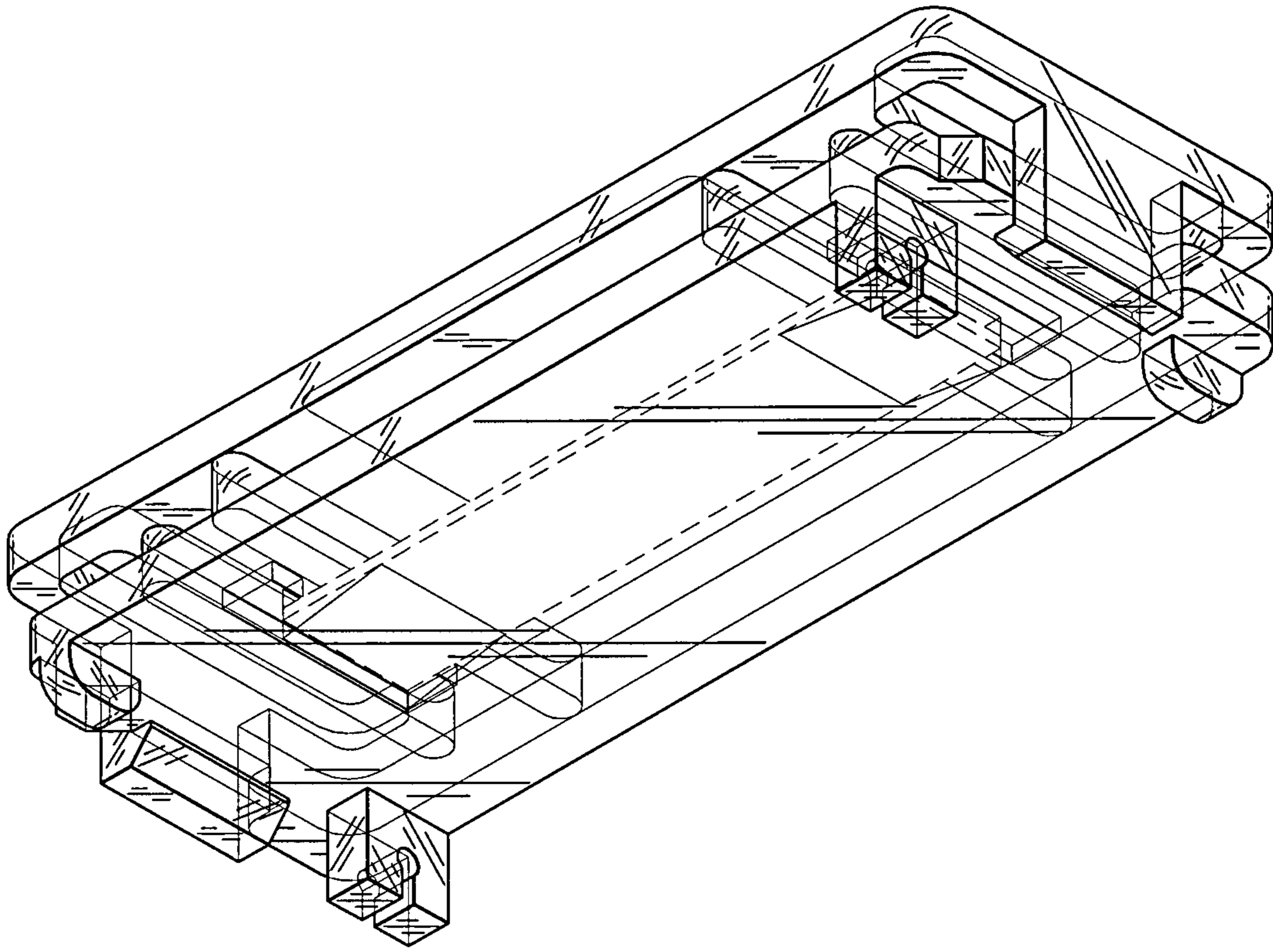


FIG. 10

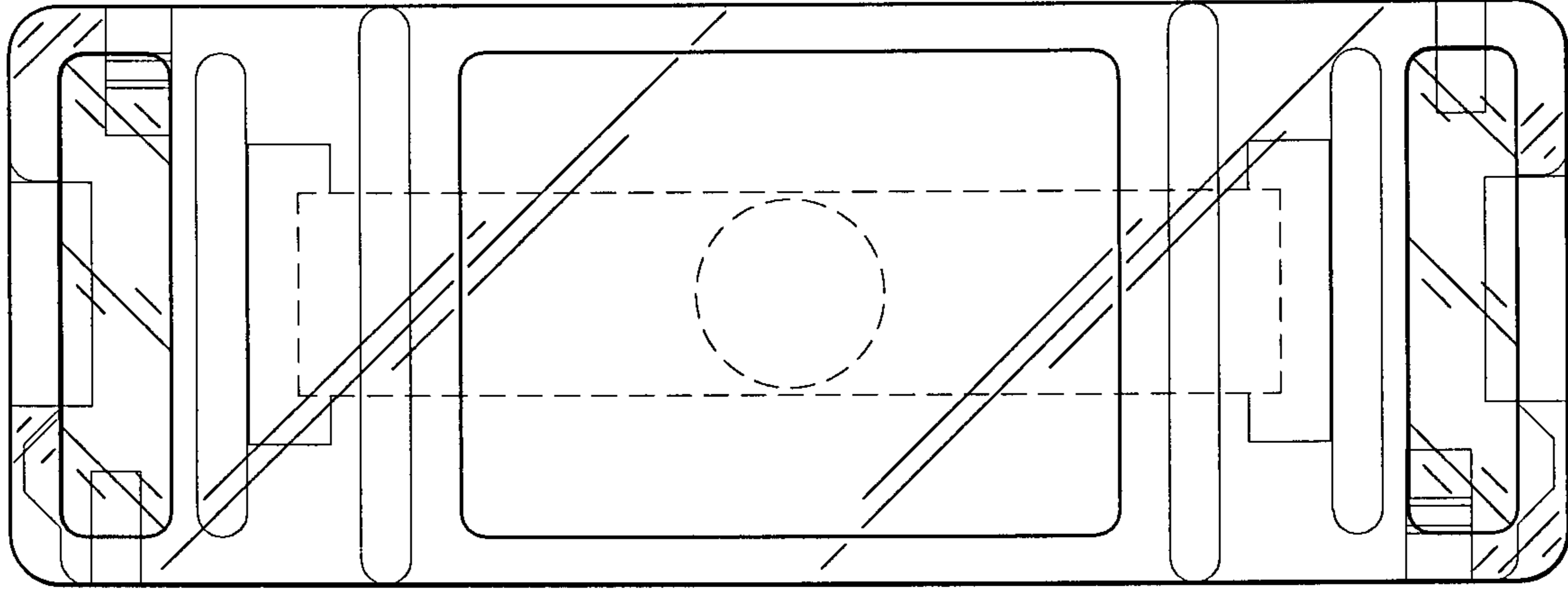


FIG. 11

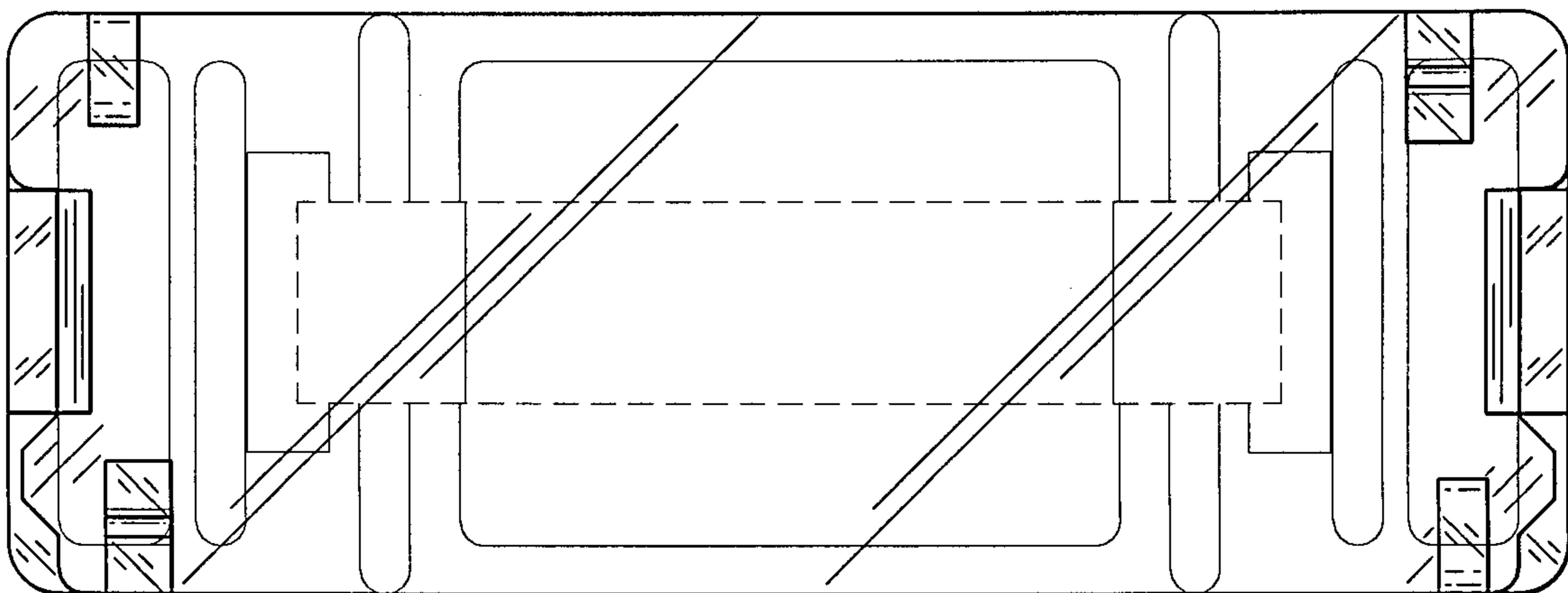


FIG. 12

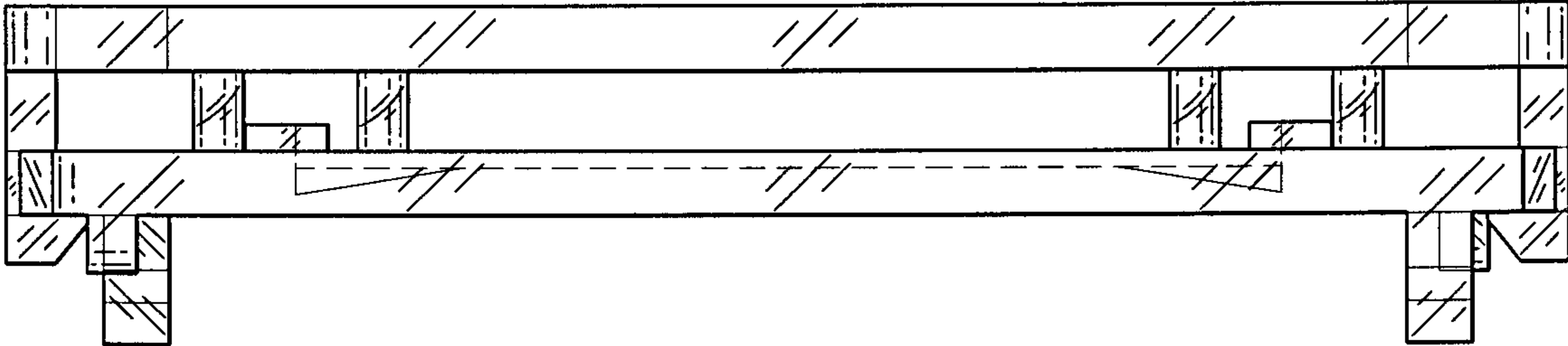


FIG. 13

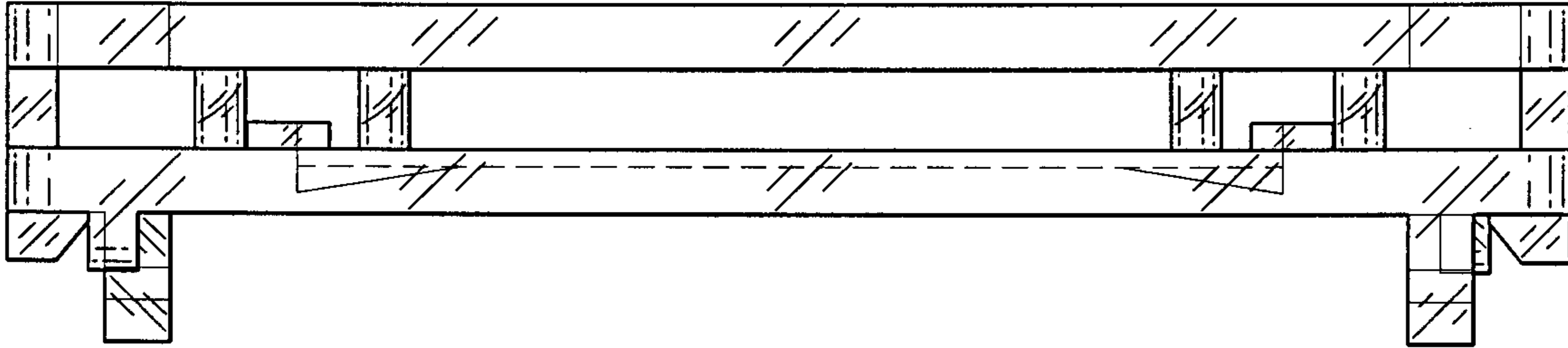


FIG. 14

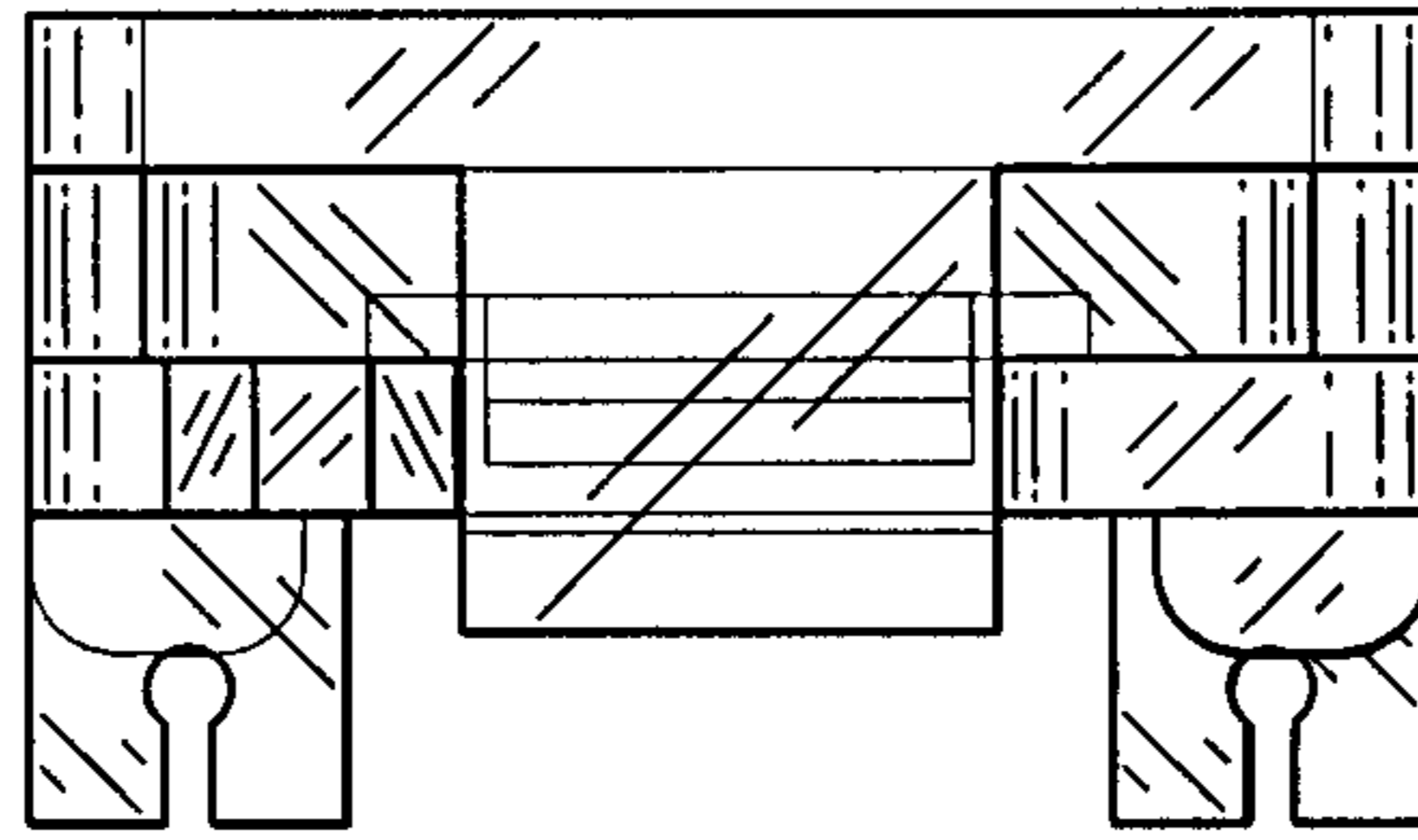


FIG. 15

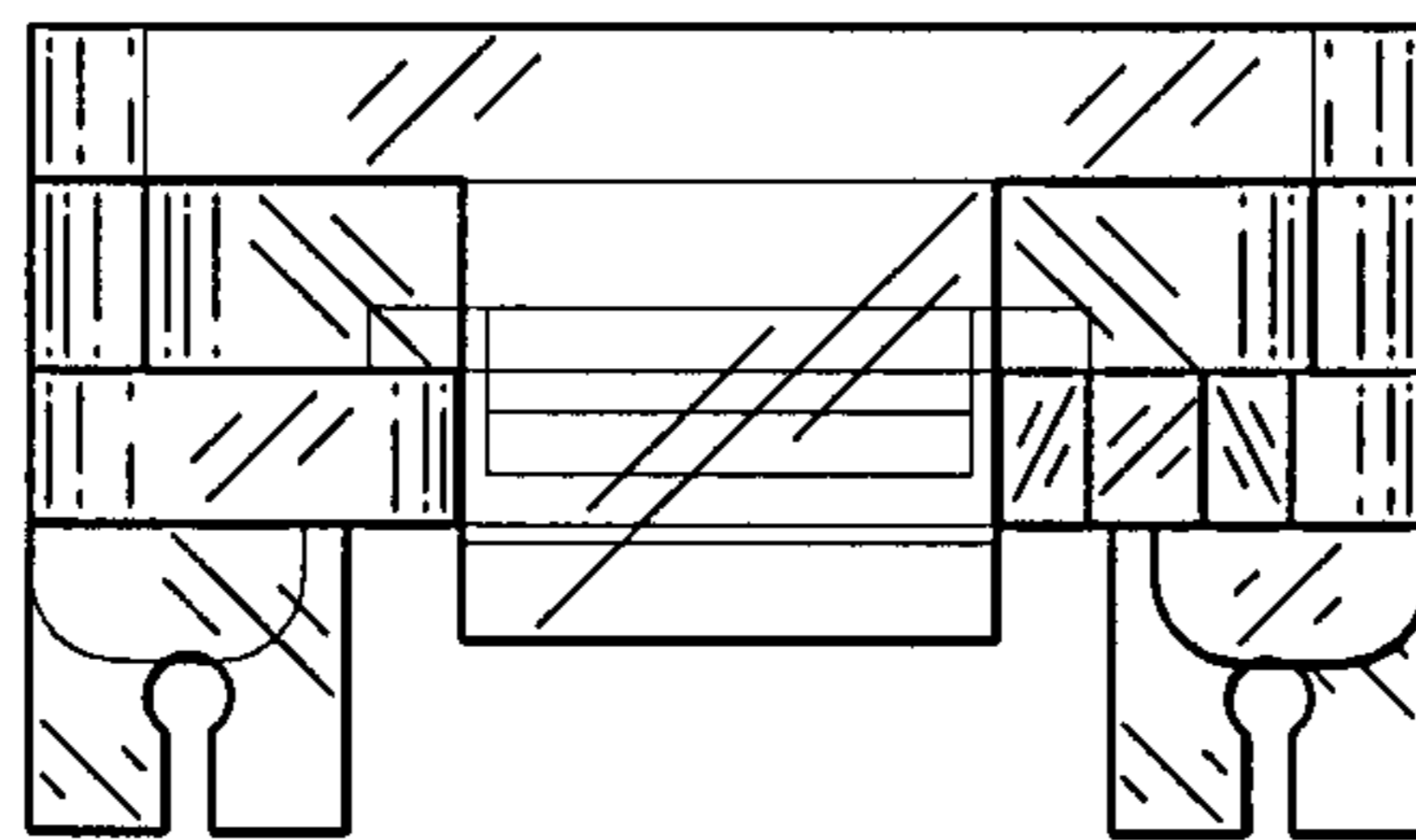


FIG. 16