



US00D978369S

(12) **United States Design Patent**
Chang et al.

(10) **Patent No.:** **US D978,369 S**
(45) **Date of Patent:** **** Feb. 14, 2023**

(54) **DIAGNOSTIC ASSAY SYSTEM**

(71) Applicant: **Cepheid**, Sunnyvale, CA (US)

(72) Inventors: **Ronald Chang**, Sunnyvale, CA (US);
Gregory Mote, Sunnyvale, CA (US);
Steven M. Montgomery, Sunnyvale,
CA (US)

(73) Assignee: **Cepheid**, Sunnyvale, CA (US)

(**) Term: **15 Years**

(21) Appl. No.: **29/751,420**

(22) Filed: **Sep. 21, 2020**

(51) **LOC (14) Cl.** **24-01**

(52) **U.S. Cl.**
USPC **D24/216**

(58) **Field of Classification Search**
USPC D24/107, 185, 186, 216, 219, 231–234;
D10/81

(Continued)

(56) **References Cited**

U.S. PATENT DOCUMENTS

D705,441 S * 5/2014 Chang D24/216
D705,944 S * 5/2014 Chang D24/216

(Continued)

Primary Examiner — Anhdao Doan

(74) *Attorney, Agent, or Firm* — Kilpatrick Townsend &
Stockton LLP

(57) **CLAIM**

The ornamental design for a diagnostic assay system, as
shown and described.

DESCRIPTION

FIG. 1 shows a front perspective view of a diagnostic assay
system showing our new design with the tiltable user
interface screen in the closed position;

FIG. 2 shows a front perspective view of the diagnostic
assay system with the tiltable user interface screen in a tilted
position;

FIG. 3 shows a rear perspective view of the diagnostic assay
system with the tiltable user interface screen in a closed
position;

FIG. 4 shows a rear perspective view of the diagnostic assay
system with the tiltable user interface screen in a tilted
position;

FIG. 5 shows a top view of the diagnostic assay system with
the tiltable user interface screen in a closed position;

FIG. 6 shows a top view of the diagnostic assay system with
the tiltable user interface screen in a tilted position;

FIG. 7 shows a rear view of the diagnostic assay system
(tiltable user interface screen position is not visible);

FIG. 8 shows a left view of the diagnostic assay system with
the tiltable user interface screen in a closed position;

FIG. 9 shows a left view of the diagnostic assay system with
the tiltable user interface screen in a tilted position;

FIG. 10 shows a right view of the diagnostic assay system
with the tiltable user interface screen in a closed position;

FIG. 11 shows a right view of the diagnostic assay system
with the tiltable user interface screen in a tilted position;

FIG. 12 shows a front view of the diagnostic assay system
with the tiltable user interface screen in a closed position;

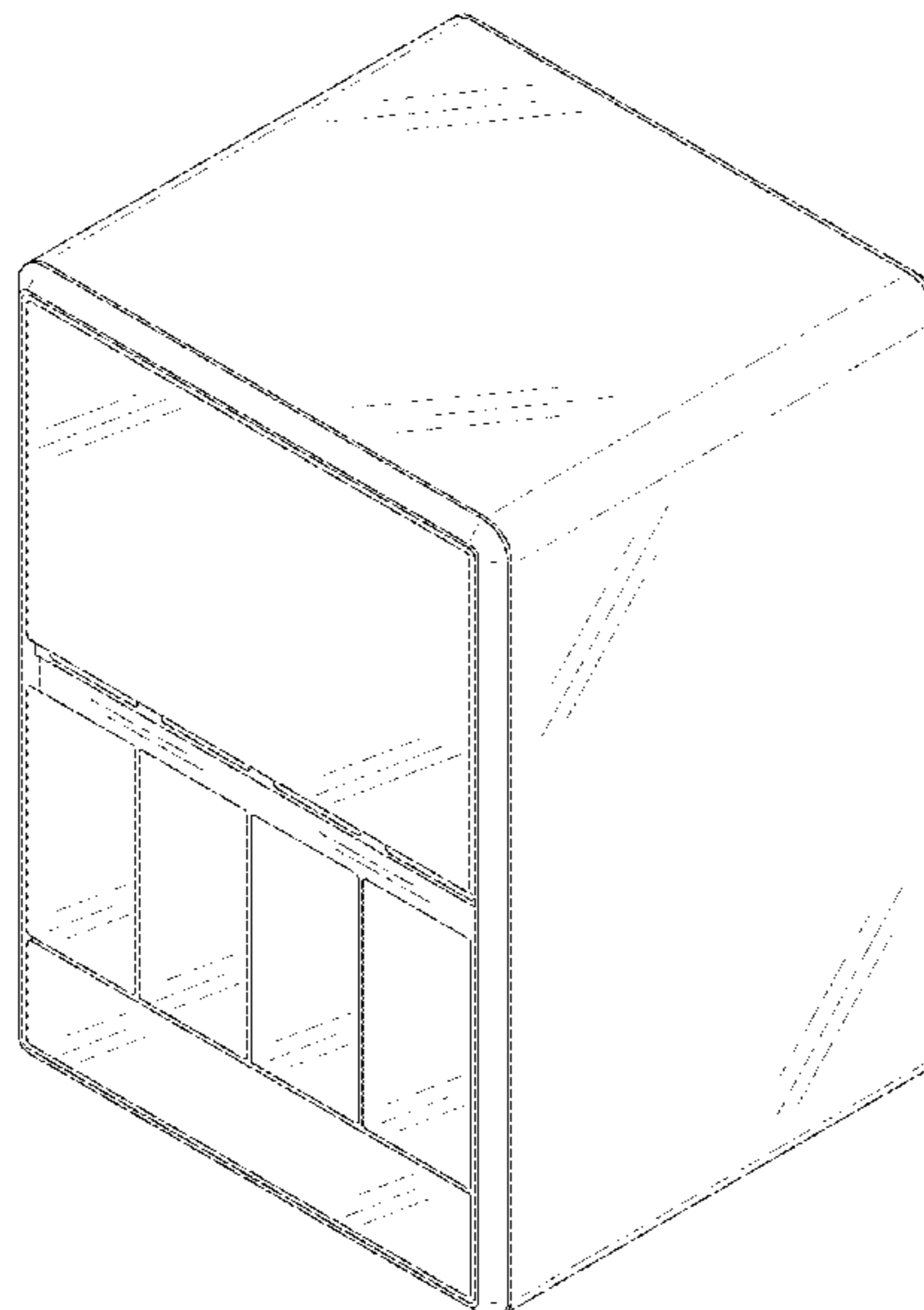
FIG. 13 shows a front view of the diagnostic assay system
with the tiltable user interface screen in a tilted position;

FIG. 14 shows a bottom view of the diagnostic assay system
with the tiltable user interface screen in a closed position;
and,

FIG. 15 shows a bottom view of the diagnostic assay system
with the tiltable user interface screen in a tilted position.

The broken lines immediately adjacent the shaded areas
represent the bounds of the claim, while all other broken
lines are directed to environment the broken lines form no
part of the claimed design.

1 Claim, 15 Drawing Sheets



(58) **Field of Classification Search**

CPC G01N 2035/00306; G01N 2035/00326;
G01N 2035/00336; G01N 2030/027;
G01N 21/76

See application file for complete search history.

(56) **References Cited**

U.S. PATENT DOCUMENTS

D774,659 S * 12/2016 Quackenbush D24/216
D874,017 S * 1/2020 Jenoski D24/216
D888,985 S * 6/2020 Hsieh D24/232
D907,245 S * 1/2021 Rateike D24/232
2008/0268529 A1 * 10/2008 Furusato B01L 3/50851
435/289.1
2015/0119268 A1 * 4/2015 Bishop G01N 1/31
435/7.1
2015/0362431 A1 * 12/2015 Jin Wong G01J 5/605
506/12
2017/0023561 A1 * 1/2017 Martinell Gispert-Sauch
G01N 35/04

* cited by examiner

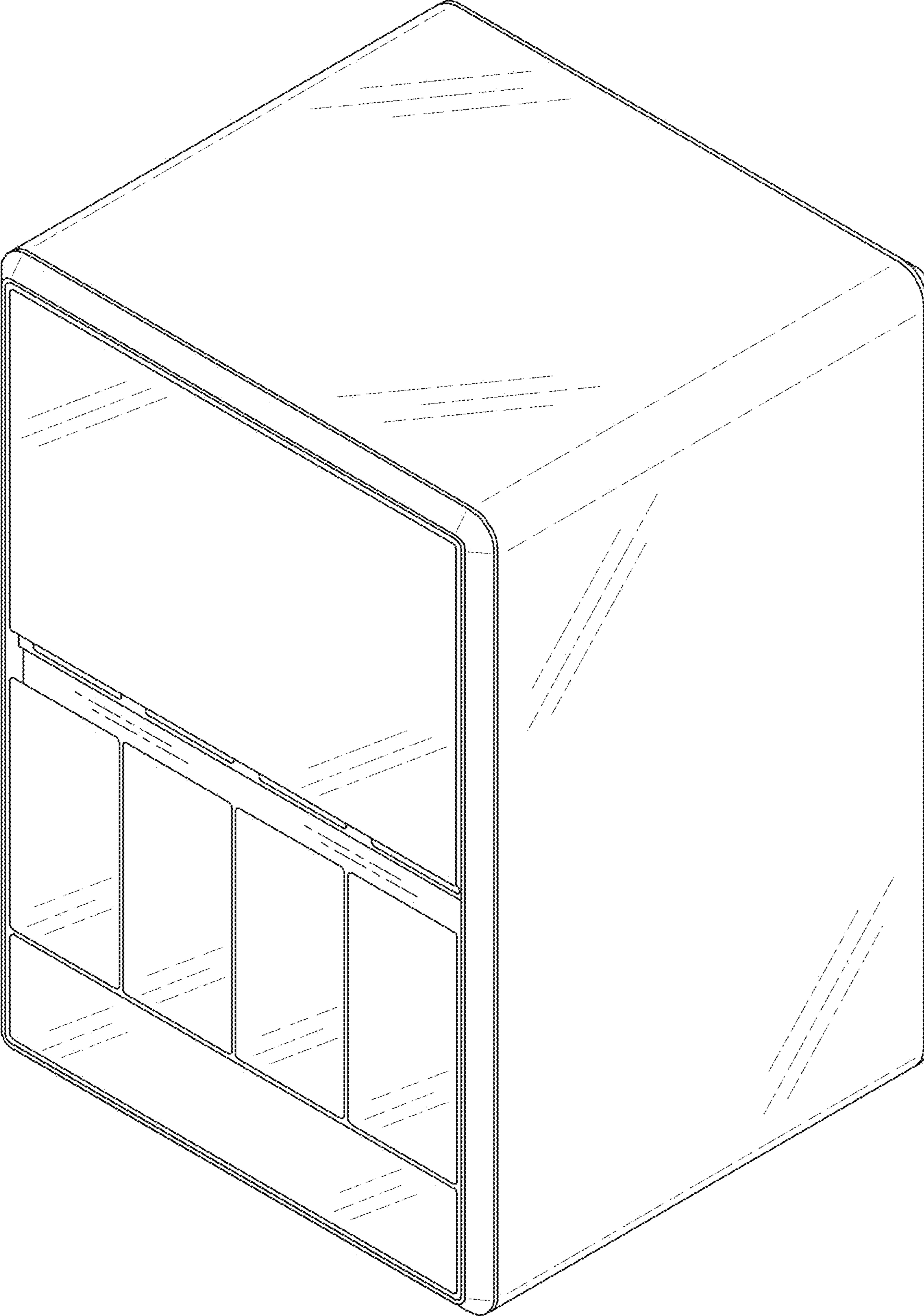


Figure 1

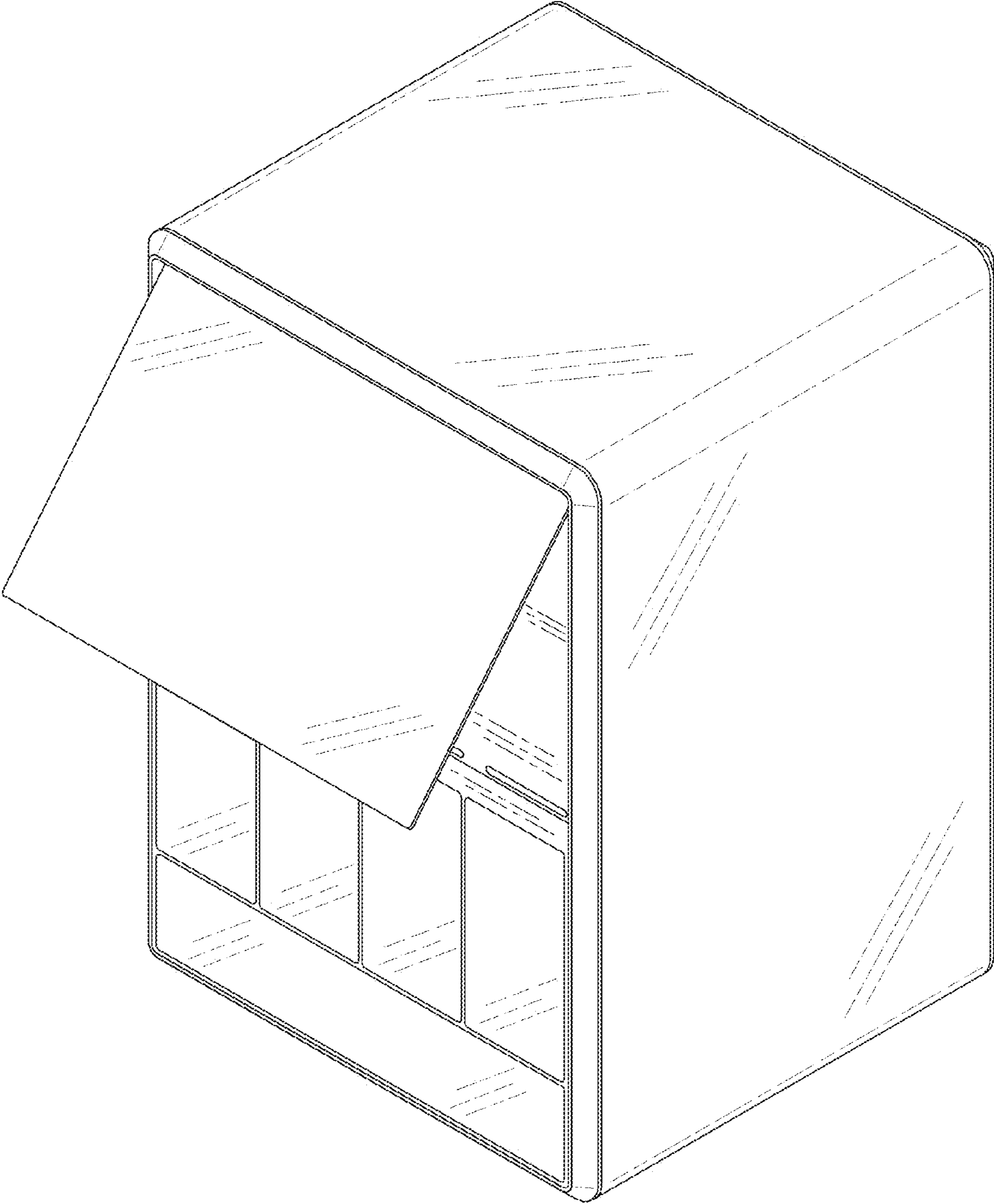


Figure 2

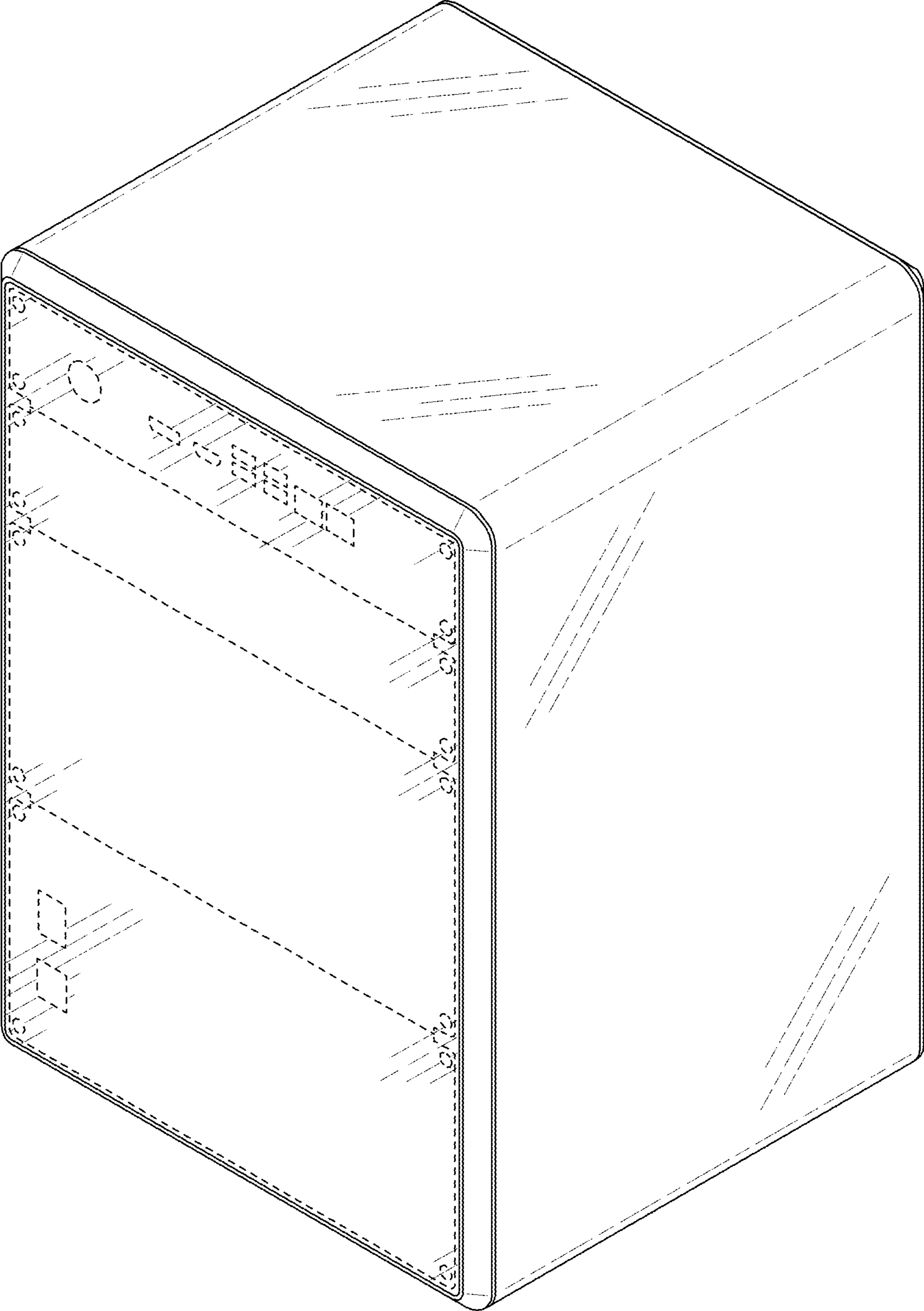


Figure 3

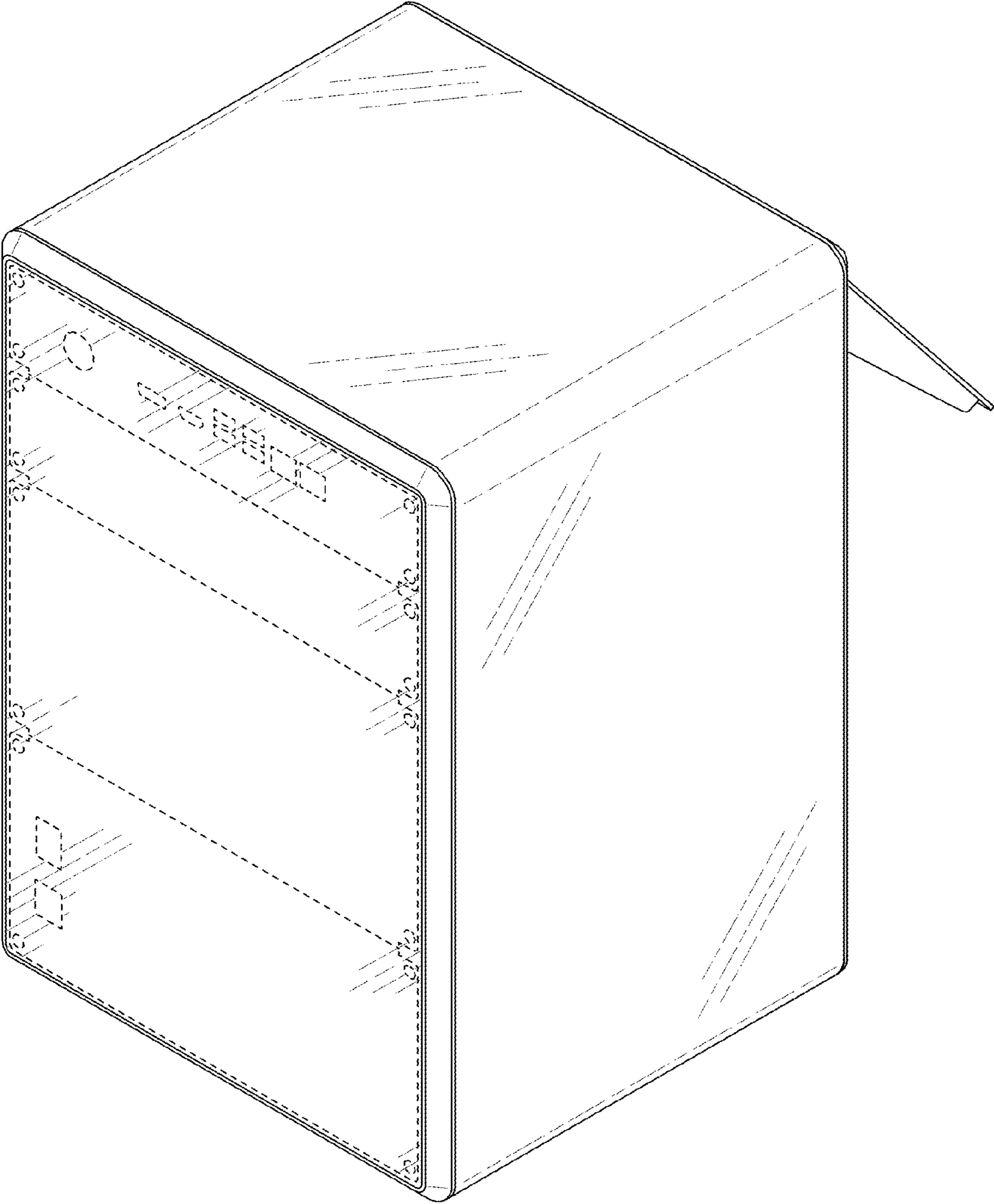


Figure 4

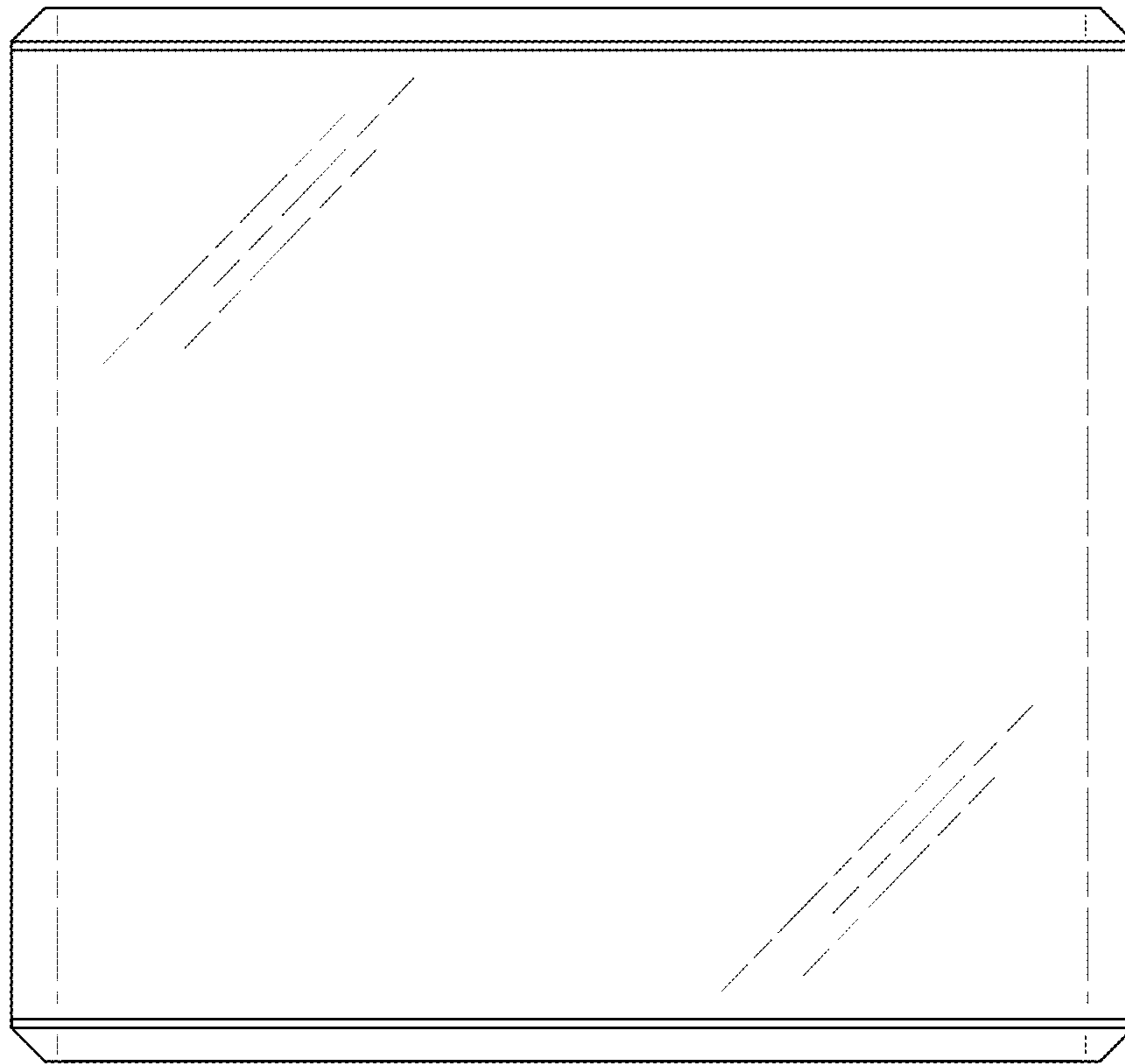


Figure 5

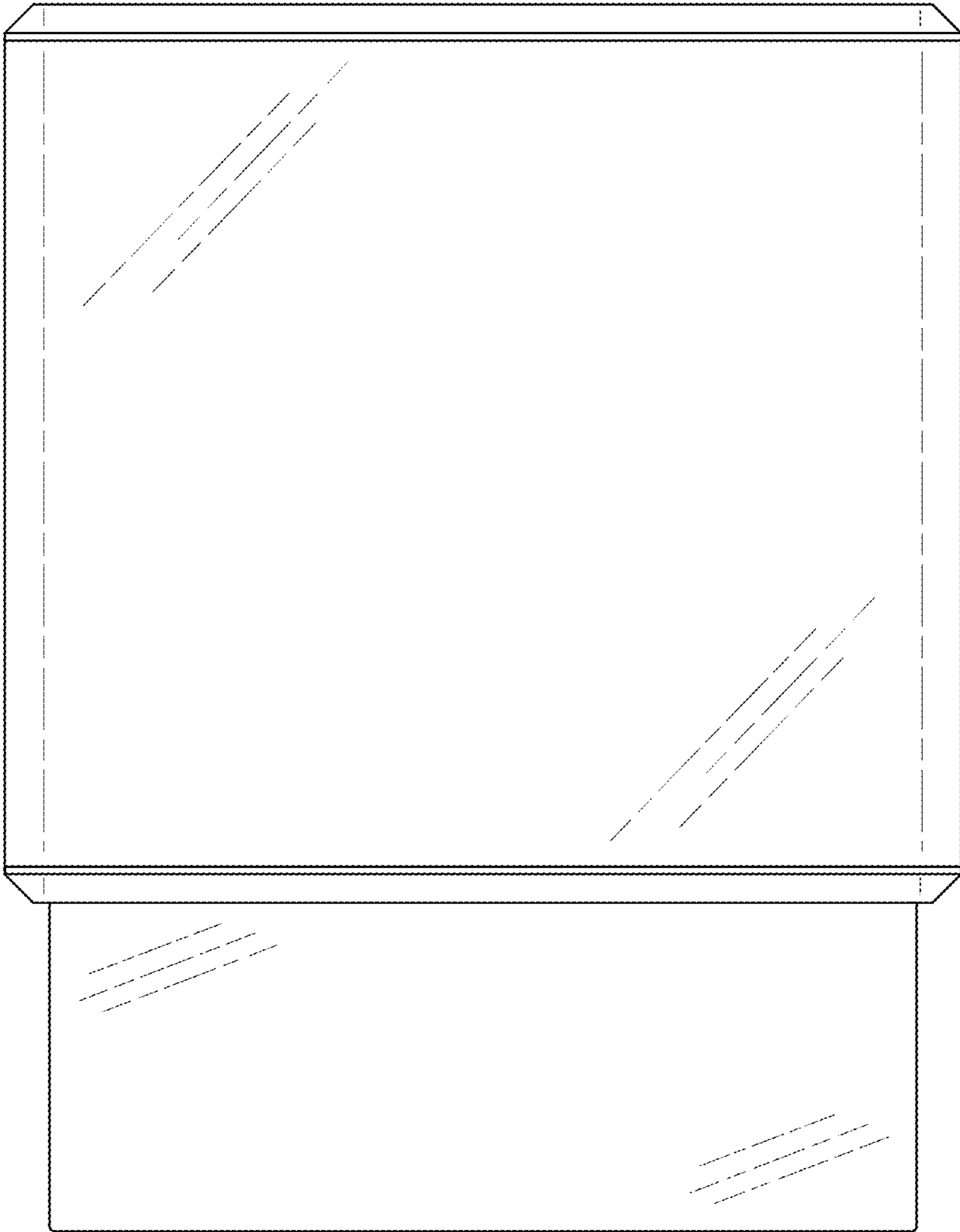


Figure 6

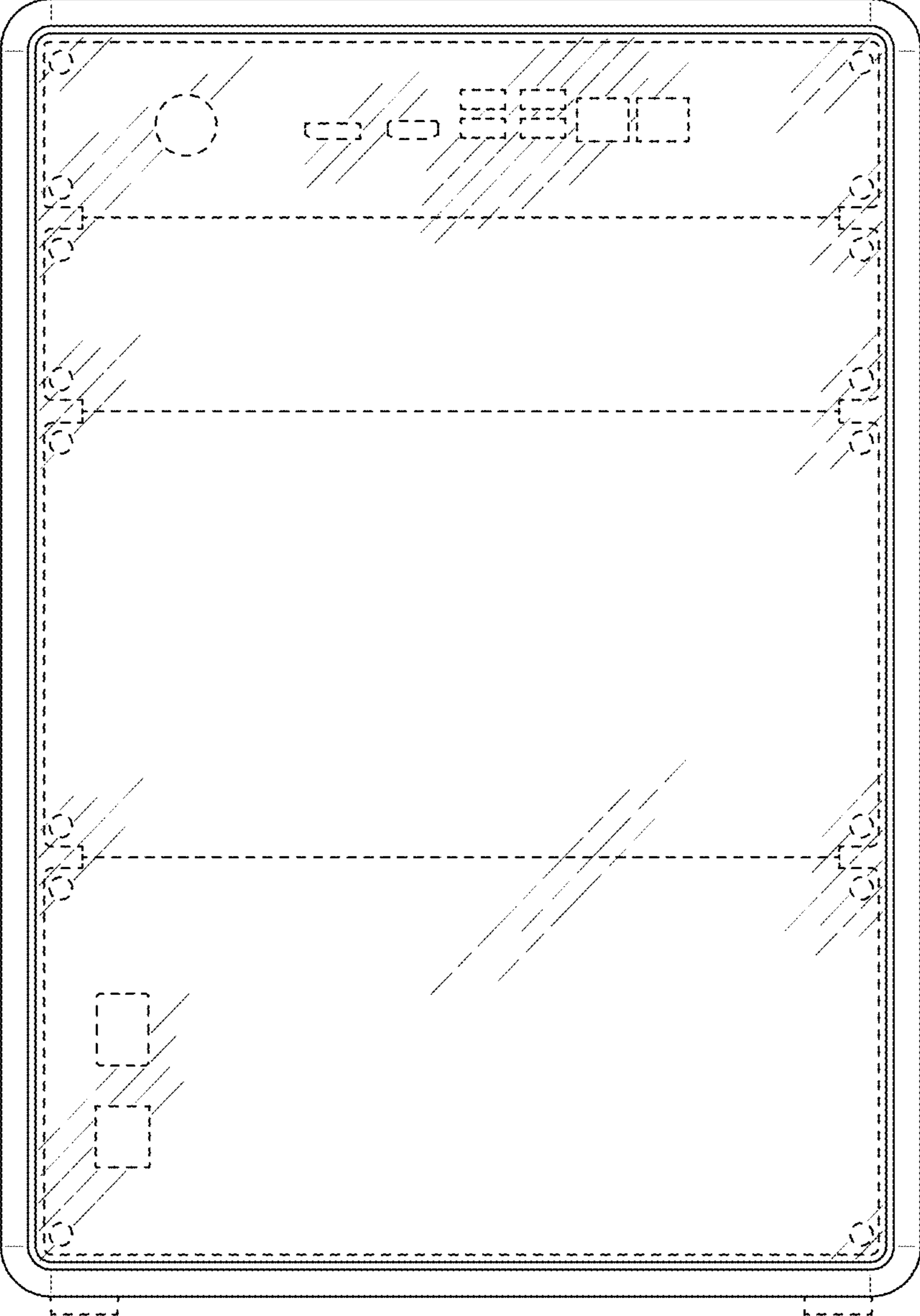


Figure 7

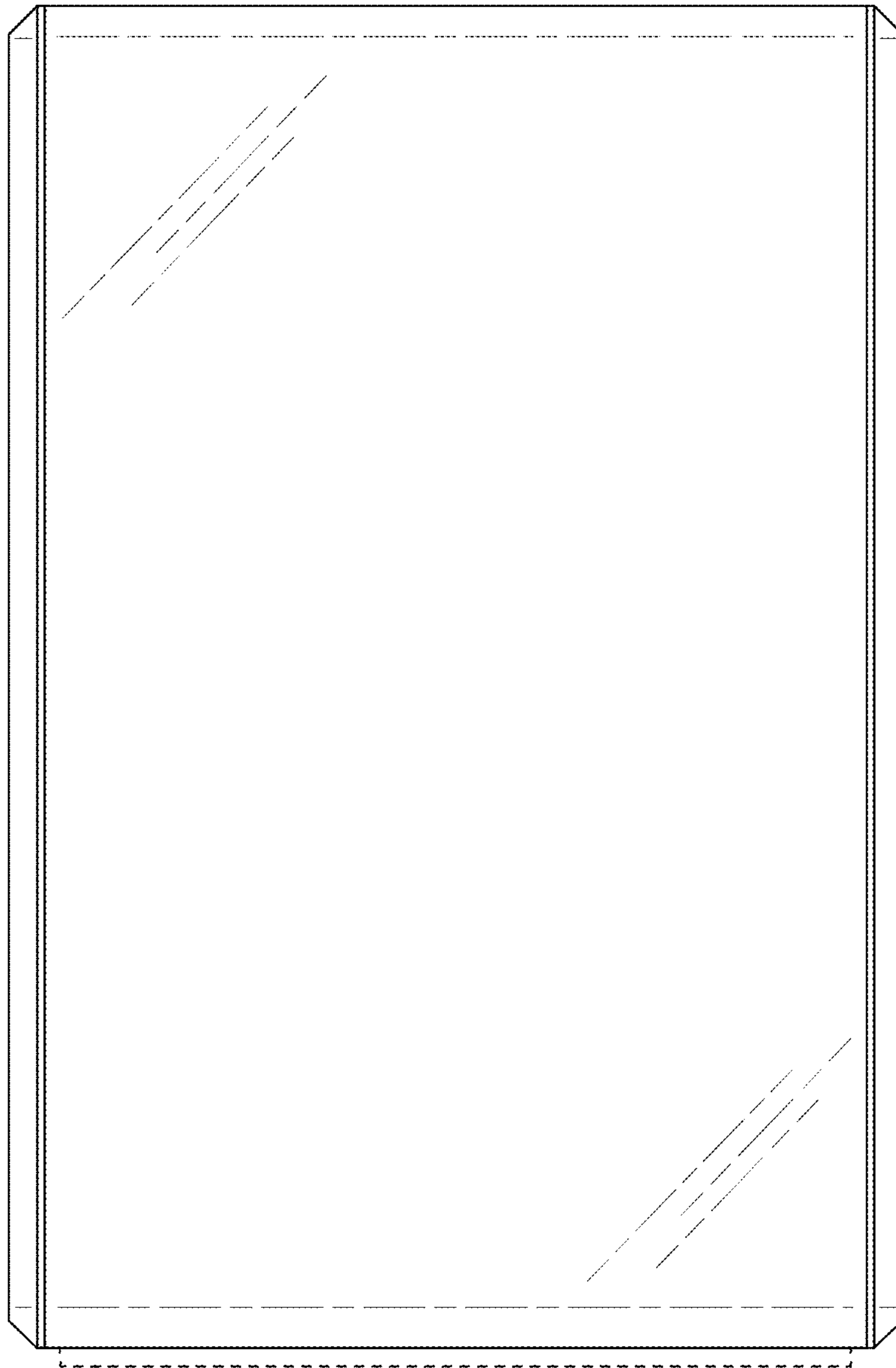


Figure 8

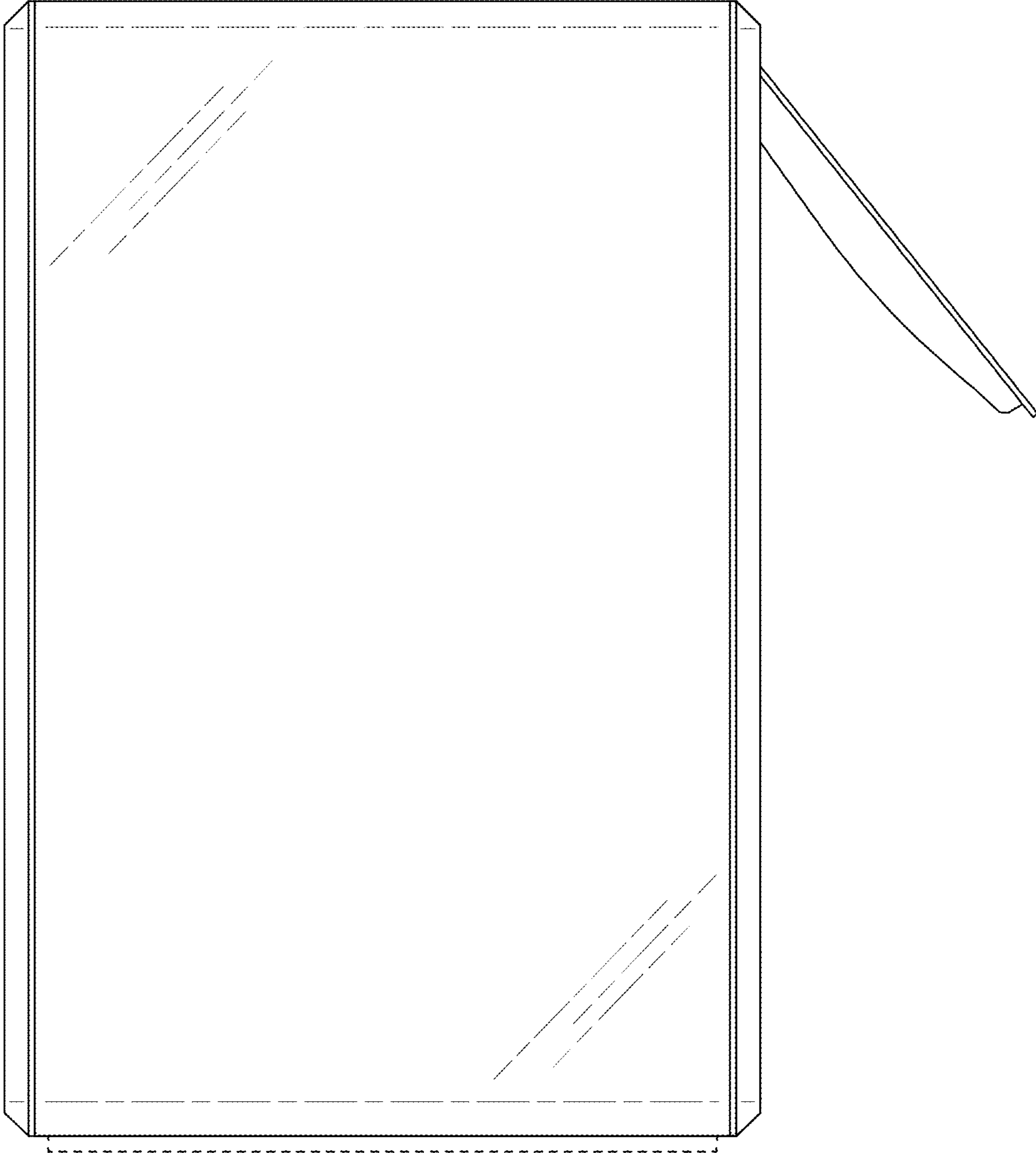


Figure 9

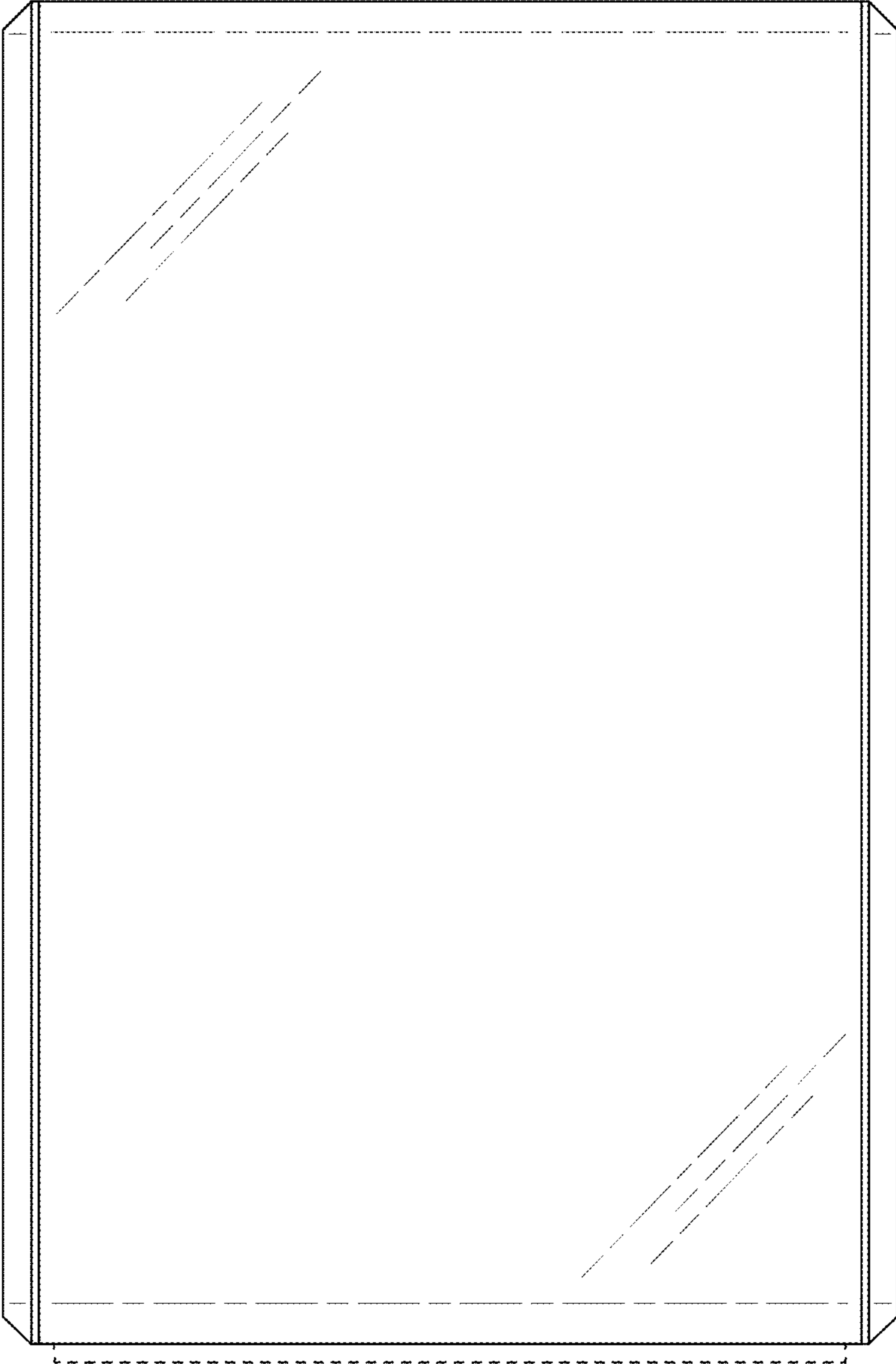


Figure 10

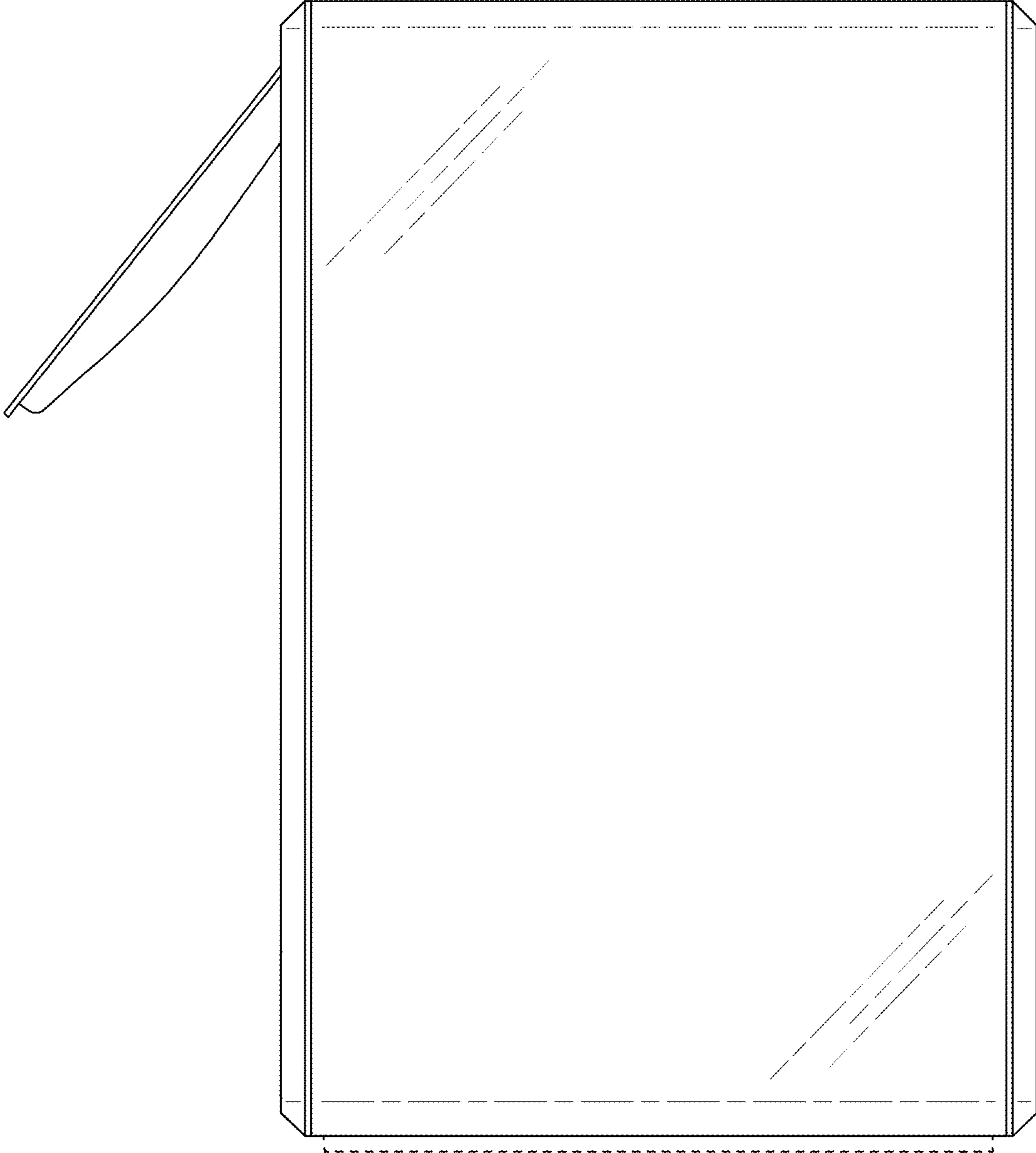


Figure 11

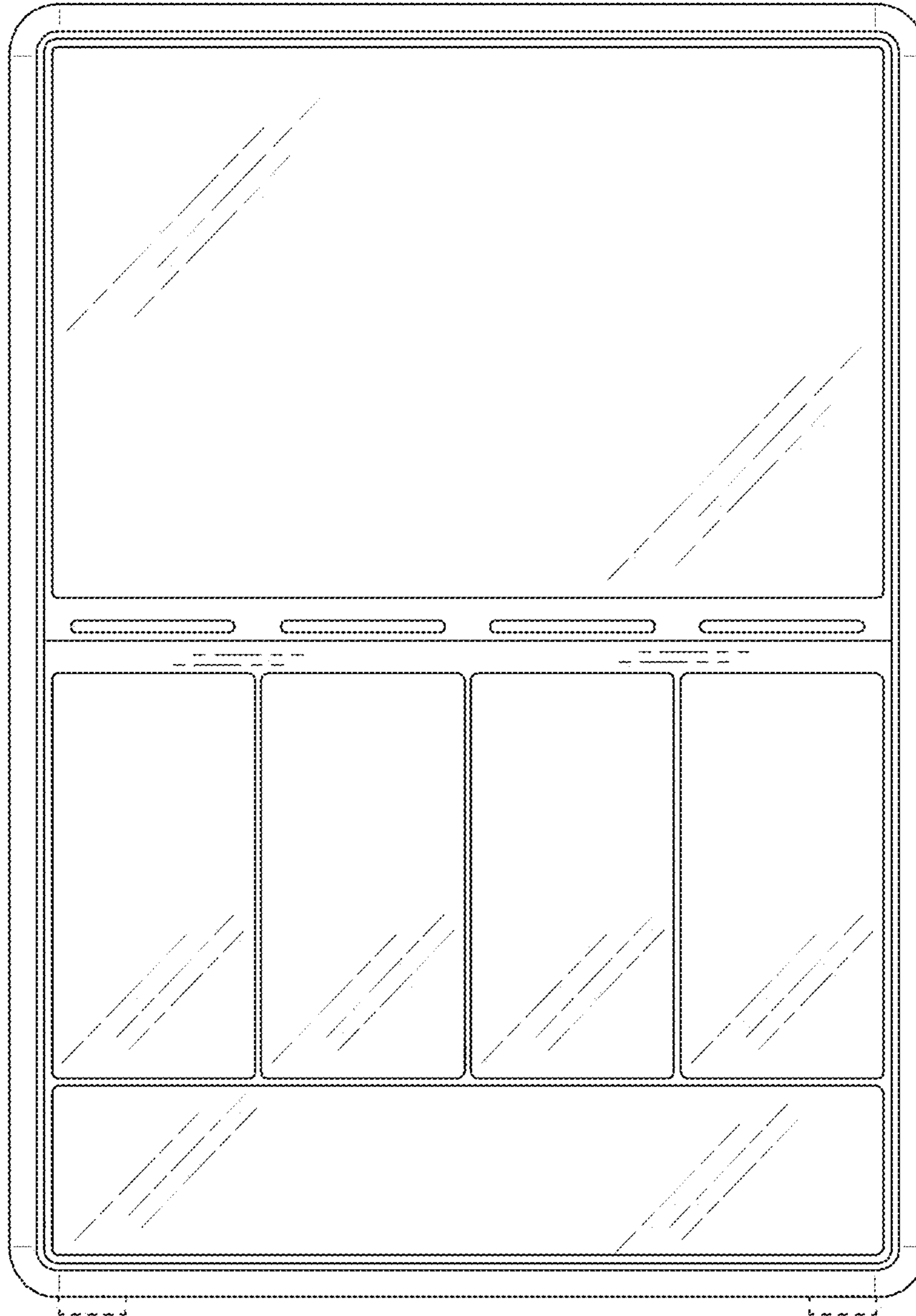


Figure 12

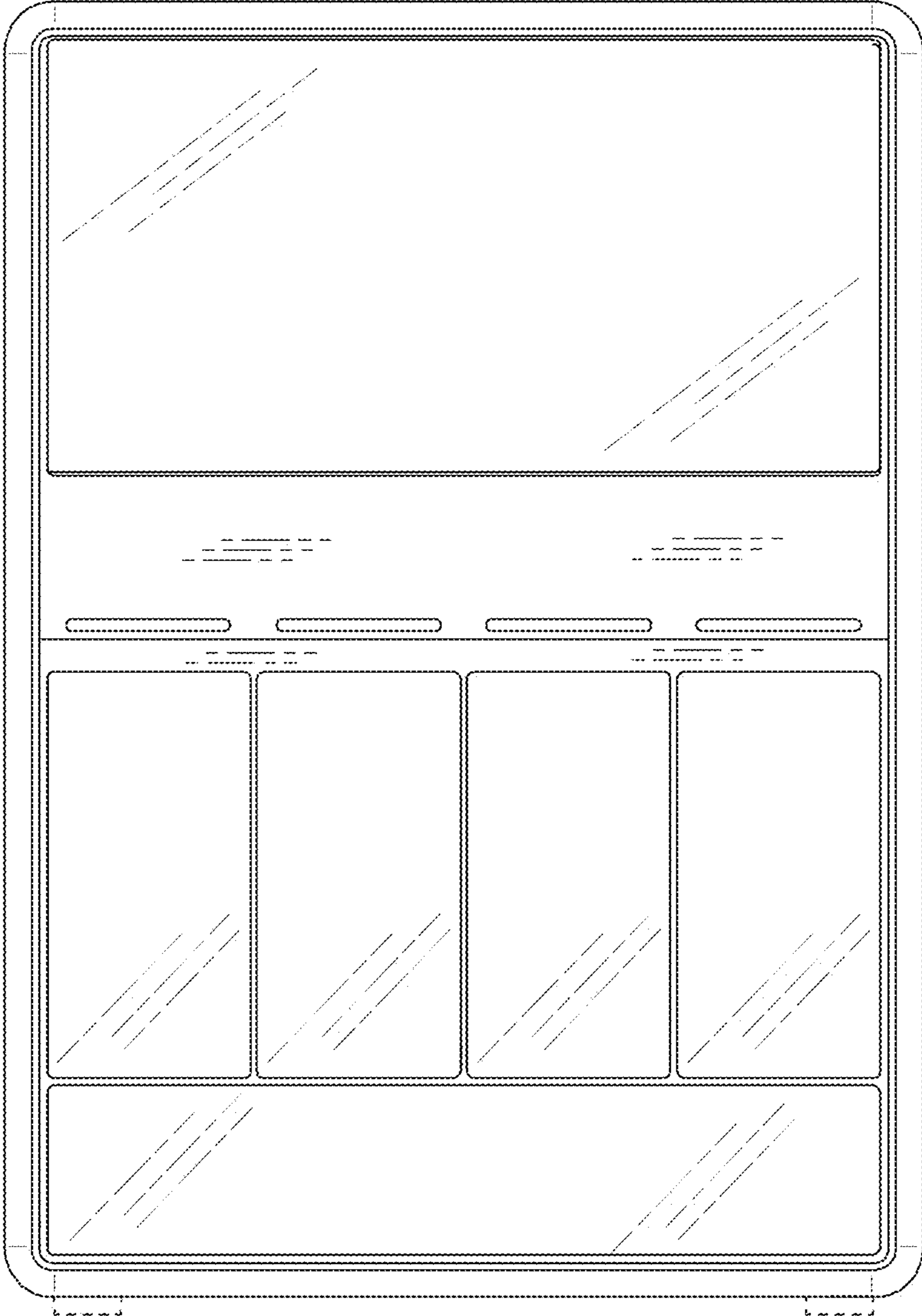


Figure 13

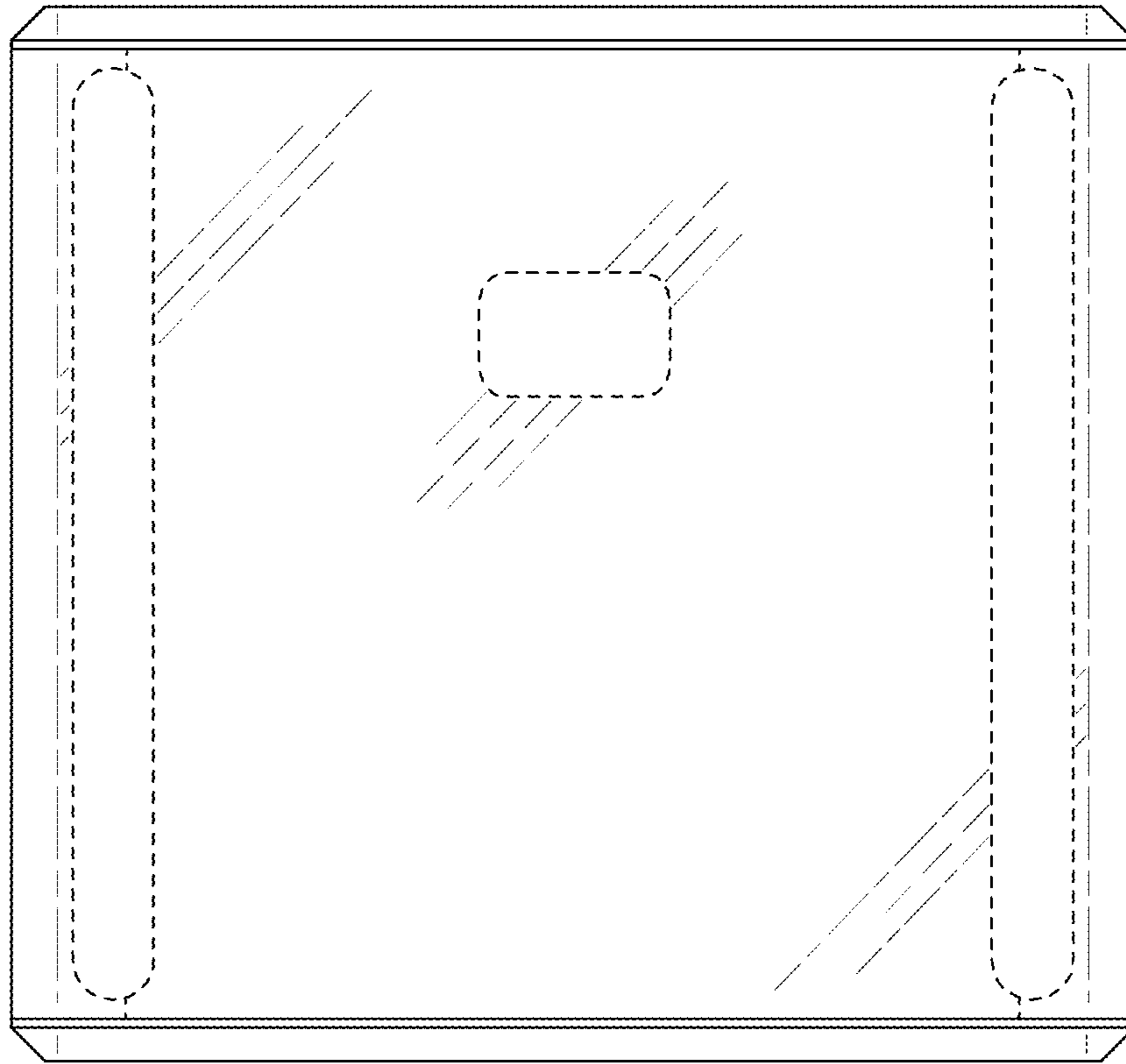


Figure 14

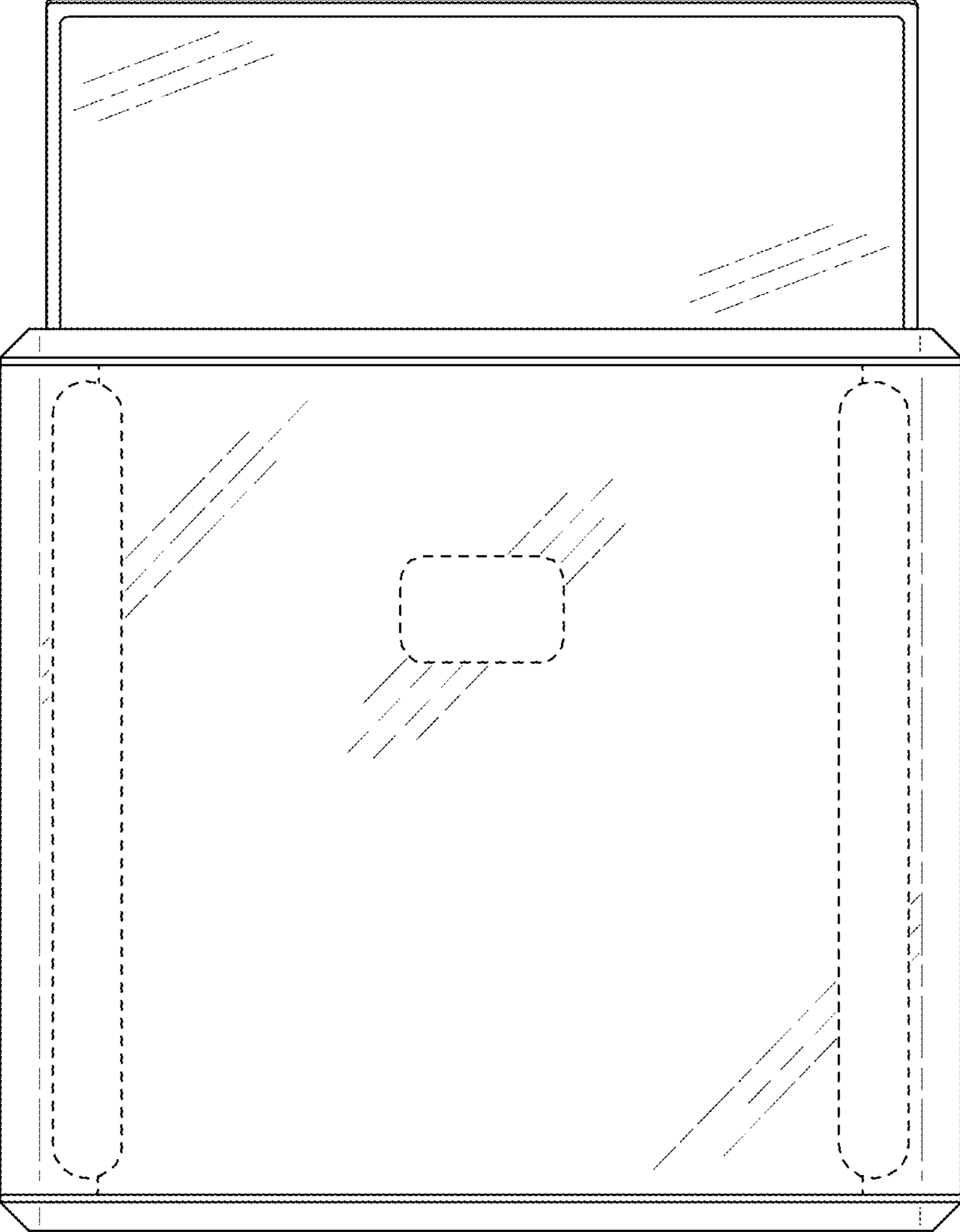


Figure 15