



US00D978368S

(12) **United States Design Patent**  
**Zheng**

(10) **Patent No.:** **US D978,368 S**

(45) **Date of Patent:** **\*\* Feb. 14, 2023**

(54) **VIBRATOR**

(71) Applicant: **Xinglong Zheng**, Jiangxi (CN)

(72) Inventor: **Xinglong Zheng**, Jiangxi (CN)

(\*\*) Term: **15 Years**

(21) Appl. No.: **29/850,118**

(22) Filed: **Aug. 17, 2022**

(30) **Foreign Application Priority Data**

May 17, 2022 (CN) ..... 202230291901.6

(51) **LOC (14) Cl.** ..... **28-03**

(52) **U.S. Cl.**  
USPC ..... **D24/215**

(58) **Field of Classification Search**  
USPC ..... D24/215, 200, 211, 212, 213, 214, 133,  
D24/107, 231, 184, 209, 206, 104, 108,  
D24/121, 141; D30/160; D23/366  
CPC ..... A61H 19/00; A61H 19/30; A61H 19/32;  
A61H 19/34; A61H 19/40; A61H 19/44;  
A61H 19/50; A61H 21/00; A61H  
2205/087

See application file for complete search history.

(56) **References Cited**

U.S. PATENT DOCUMENTS

D380,821 S \* 7/1997 Chen ..... D9/663  
D715,910 S \* 10/2014 Lin ..... A61L 9/03  
D23/366  
D857,222 S \* 8/2019 Liu ..... D24/215  
D908,904 S \* 1/2021 Liu ..... D24/215  
D911,544 S \* 2/2021 Zhou ..... D24/215  
11,007,110 B1 \* 5/2021 Zhou ..... A61H 23/0263  
D924,420 S \* 7/2021 Liu ..... D24/215  
D925,056 S \* 7/2021 Li ..... D24/215  
D930,180 S \* 9/2021 Wang ..... D24/215  
D933,252 S 10/2021 Cheung  
D939,726 S \* 12/2021 Liu ..... D24/215

D949,405 S \* 4/2022 Yuan ..... D24/215  
11,369,545 B1 \* 6/2022 He ..... A61H 23/0263  
D959,691 S \* 8/2022 Liang ..... D24/215  
D961,110 S \* 8/2022 Zhang ..... D24/215

(Continued)

OTHER PUBLICATIONS

Gozote—Rose Toy for Women. Date: Jun. 19, 2022. [online], [Site visited Nov. 28, 2022], Available from Internet URL: <https://www.amazon.com/dp/B0B2RNNXLY/?th=1> (Year: 2022).\*

(Continued)

*Primary Examiner* — Eliza Z Harvey

*Assistant Examiner* — Landon Thomas Cassell

(57) **CLAIM**

The ornamental design for a vibrator, as shown and described.

**DESCRIPTION**

FIG. 1 is a front and top perspective view of a vibrator, showing my new design;

FIG. 2 is a rear and bottom perspective view thereof;

FIG. 3 is a front elevation view thereof;

FIG. 4 is a rear elevation view thereof;

FIG. 5 is a left side elevation view thereof;

FIG. 6 is a right side elevation view thereof;

FIG. 7 is a top plan view thereof;

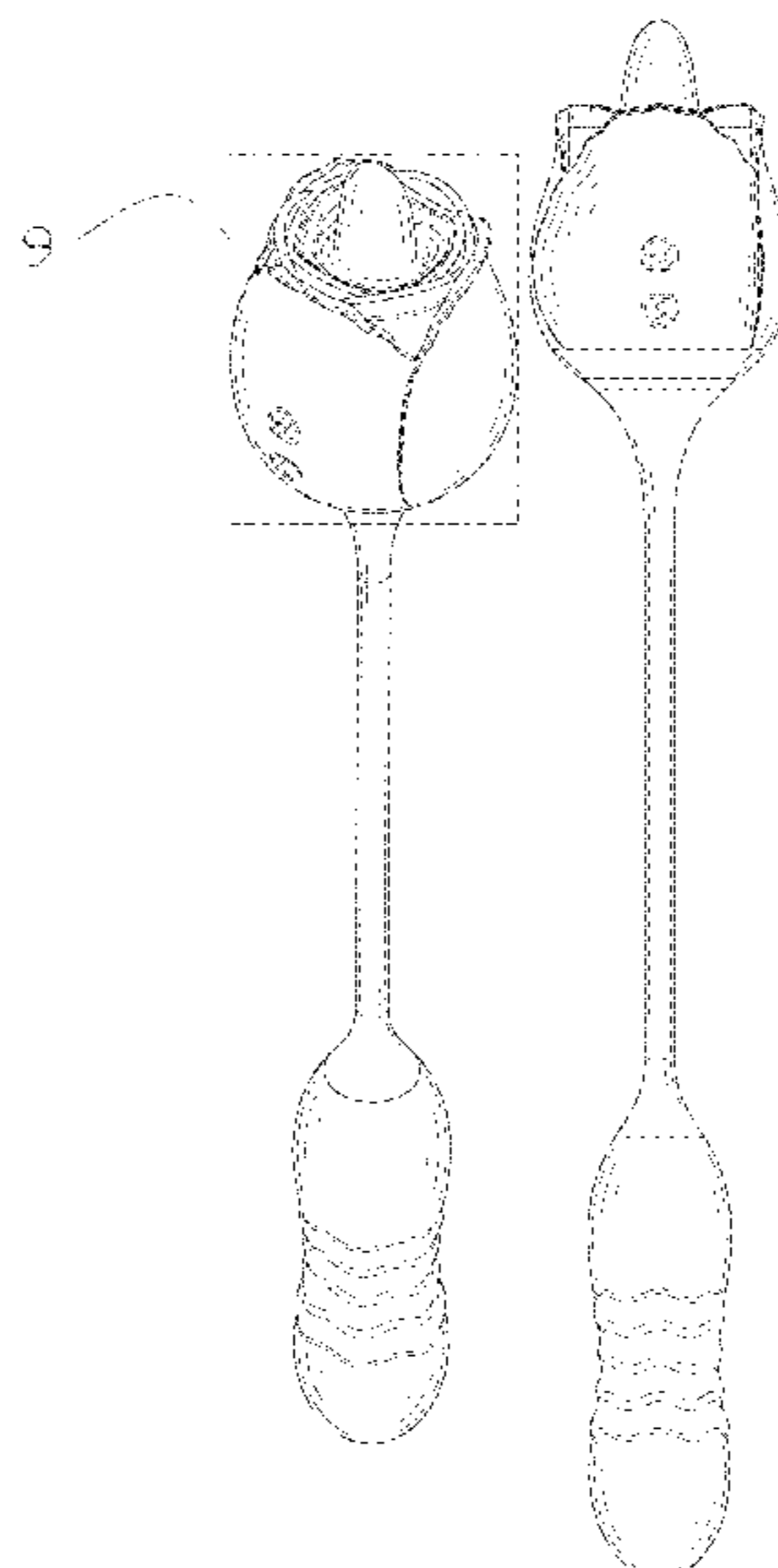
FIG. 8 is a bottom plan view thereof;

FIG. 9 is an enlarged perspective view of detail “9” identified in FIG. 1; and,

FIG. 10 is an enlarged perspective view of detail “10” identified in FIG. 2.

The dashed lines in the figures illustrate portions of the vibrator that form no part of the claimed design. The dash dot dash lines in FIGS. 1, 2, 9 and 10 are for the purpose of depicting the boundary lines of the enlarged views and form no part of the claimed design.

**1 Claim, 10 Drawing Sheets**



(56)

**References Cited**

U.S. PATENT DOCUMENTS

D968,634 S \* 11/2022 Zhou ..... D24/215  
2022/0296459 A1 \* 9/2022 Jin ..... A61H 1/00

OTHER PUBLICATIONS

Vibrators. (Design—© Questel) orbit.com. [Online PDF compilation of references] 35 pgs. Print Dates Range Nov. 20, 2020-Mar. 29, 2022 [Retrieved Nov. 29, 2022] <https://www.orbit.com/export/UCZAH96B/pdf4/6a0fb243-6b1d-4742-86fa-b66378f05187-001433.pdf> (Year: 2022).\*

\* cited by examiner

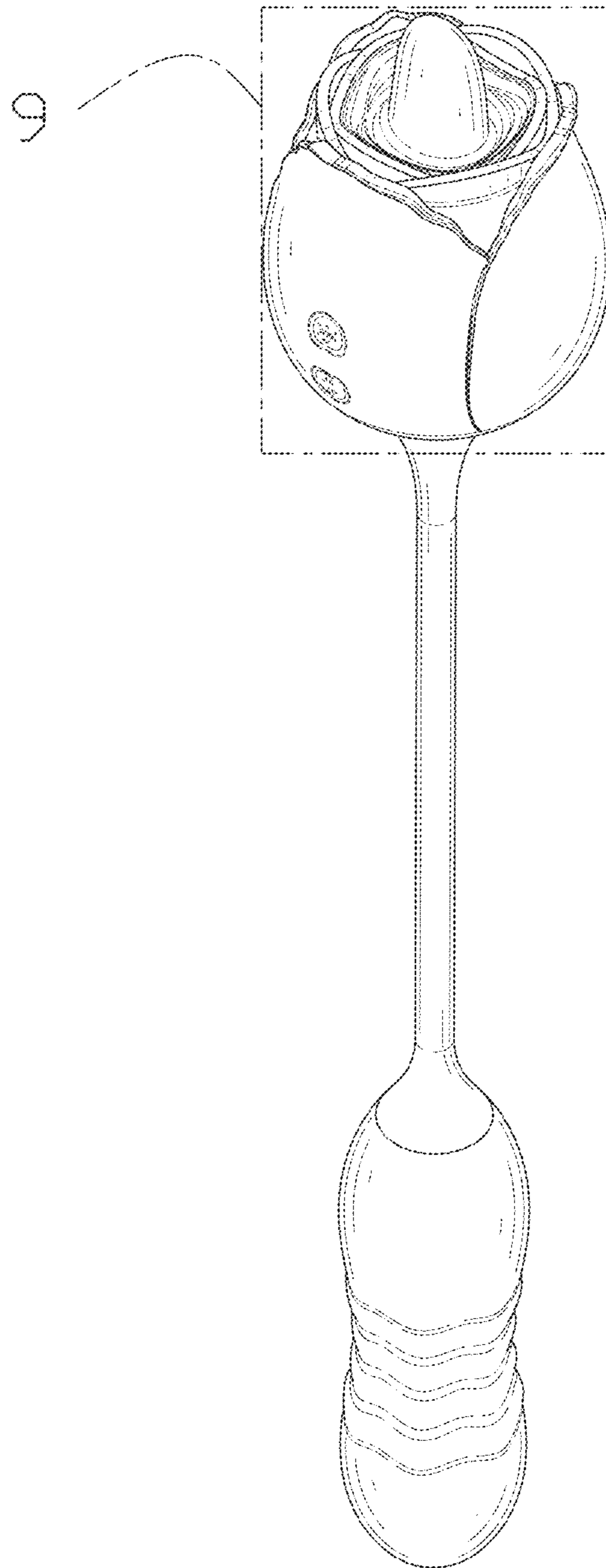


FIG. 1

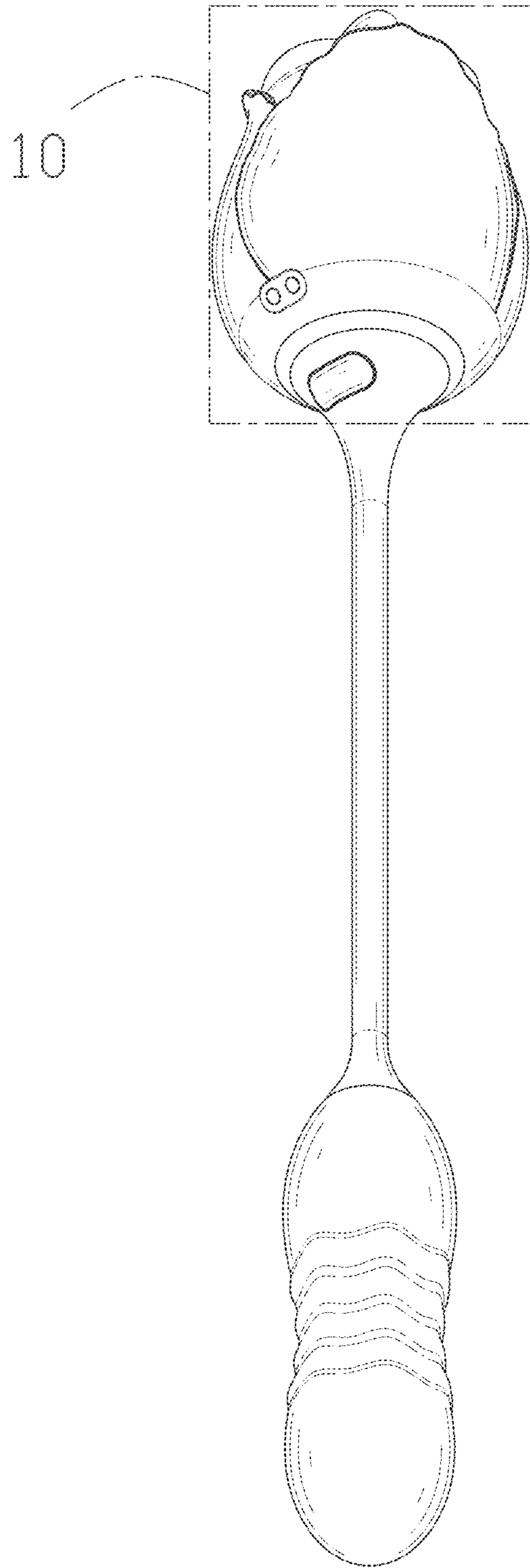


FIG. 2

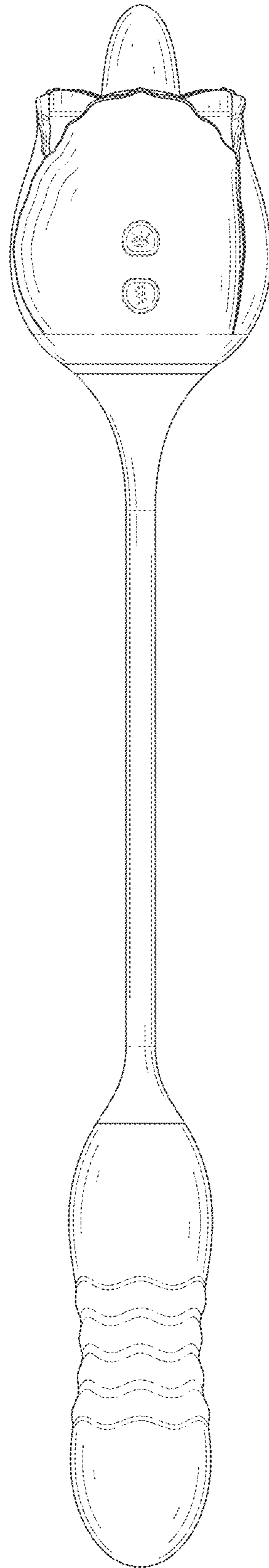


FIG. 3

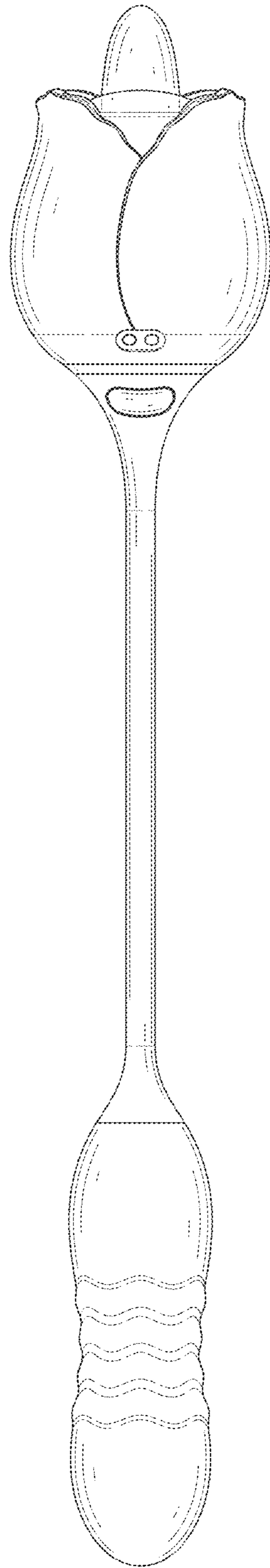


FIG. 4

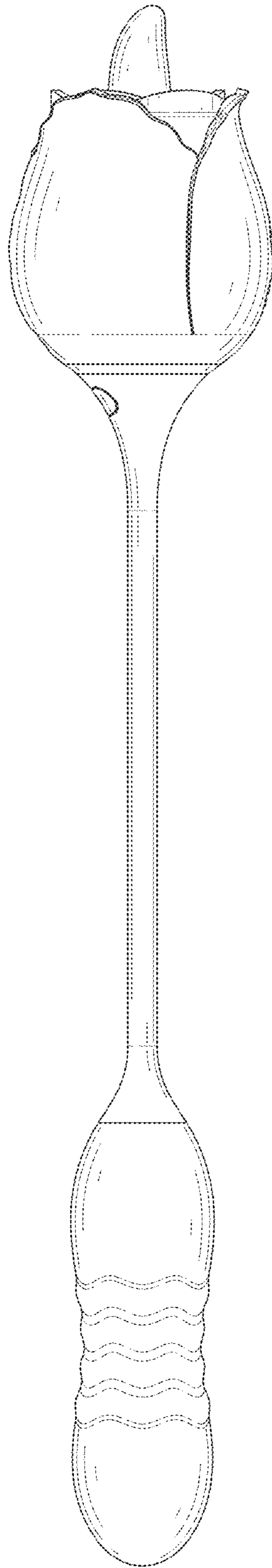


FIG. 5

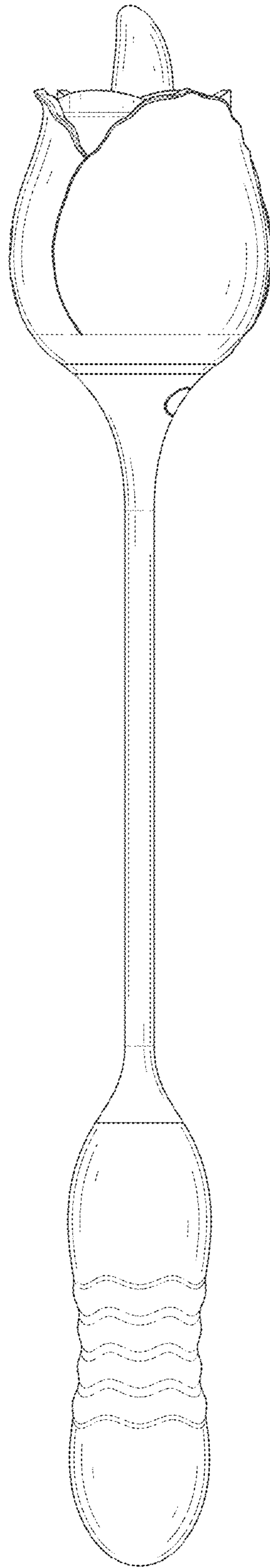


FIG. 6



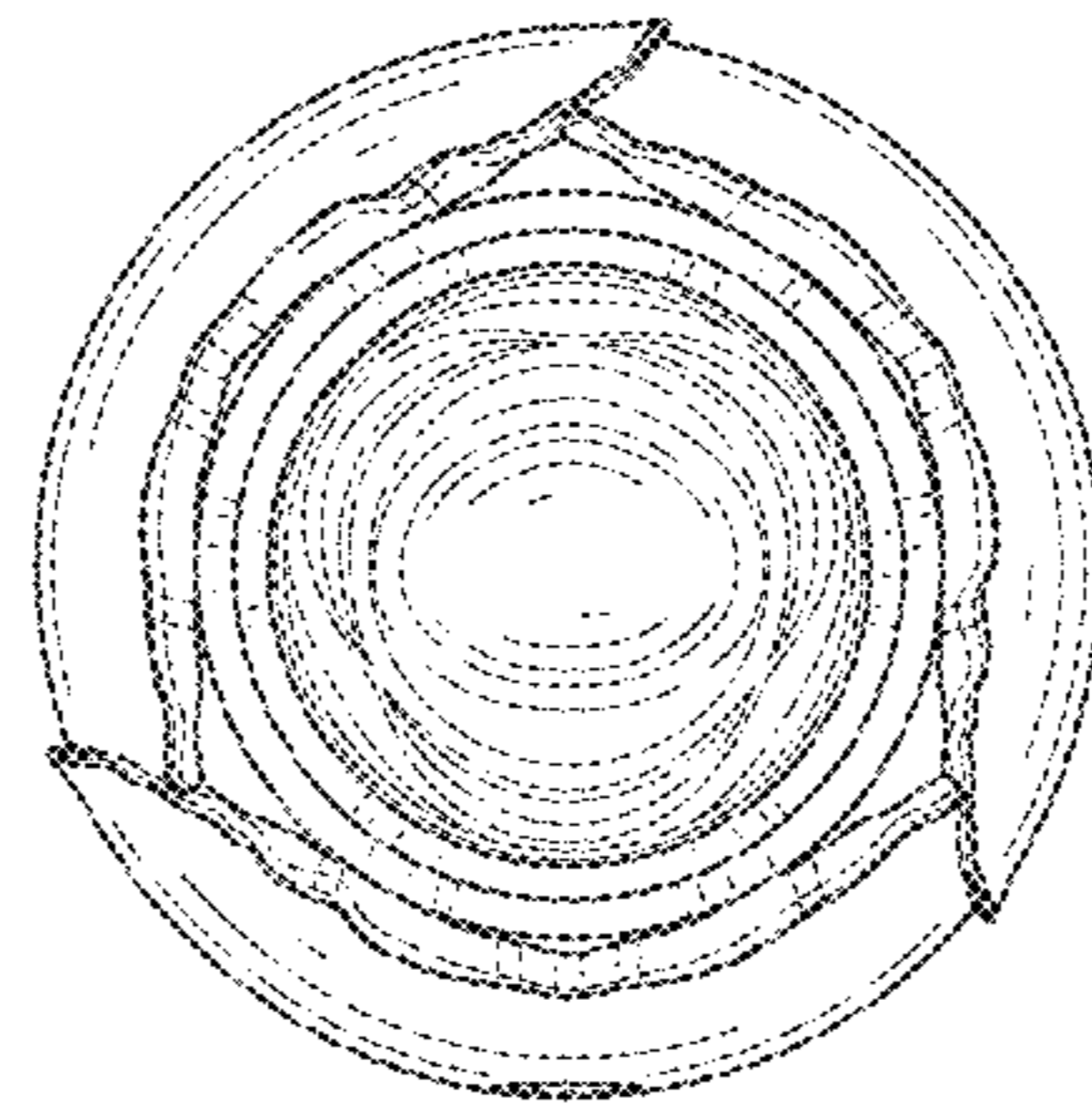


FIG. 7

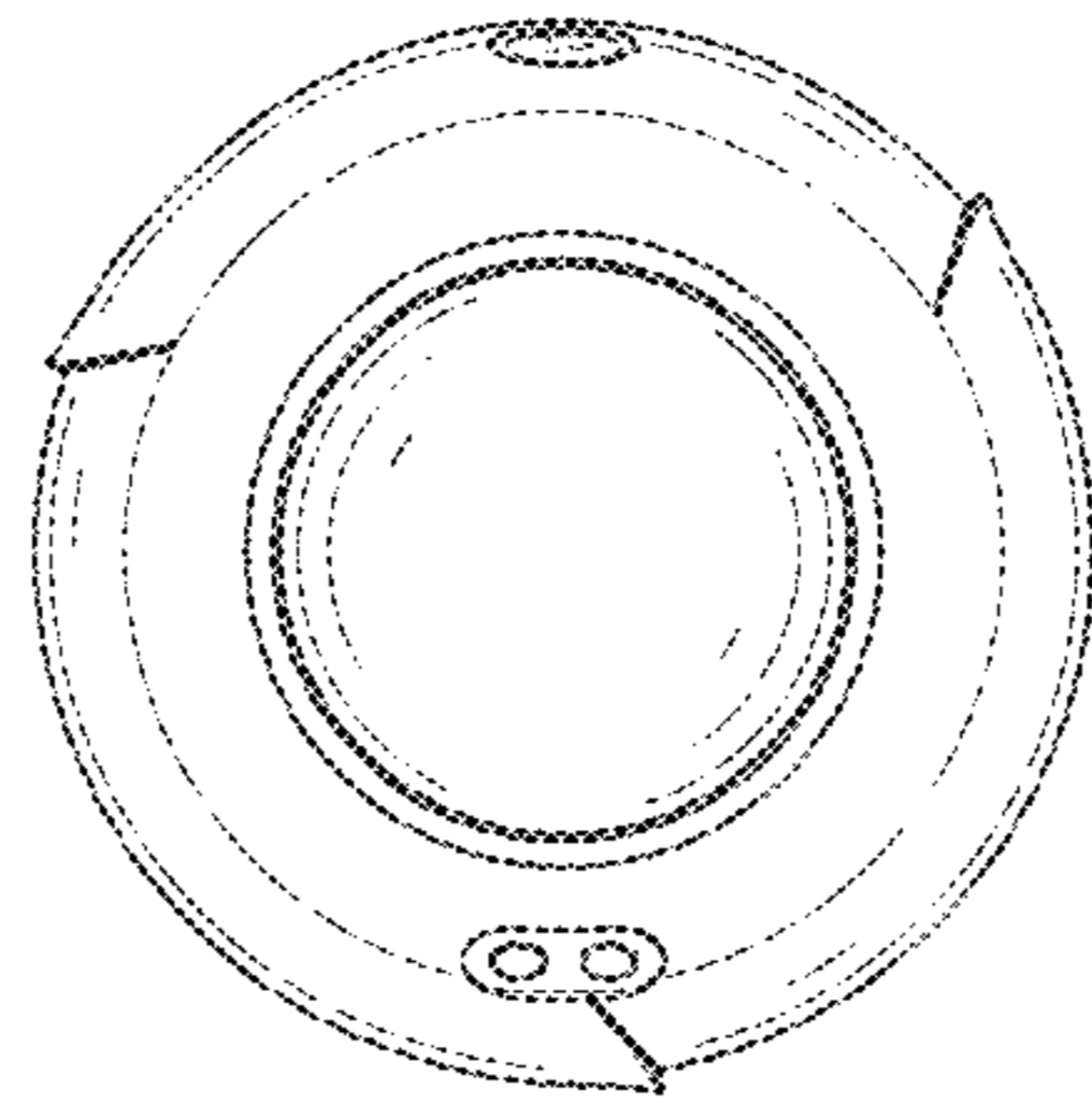


FIG. 8

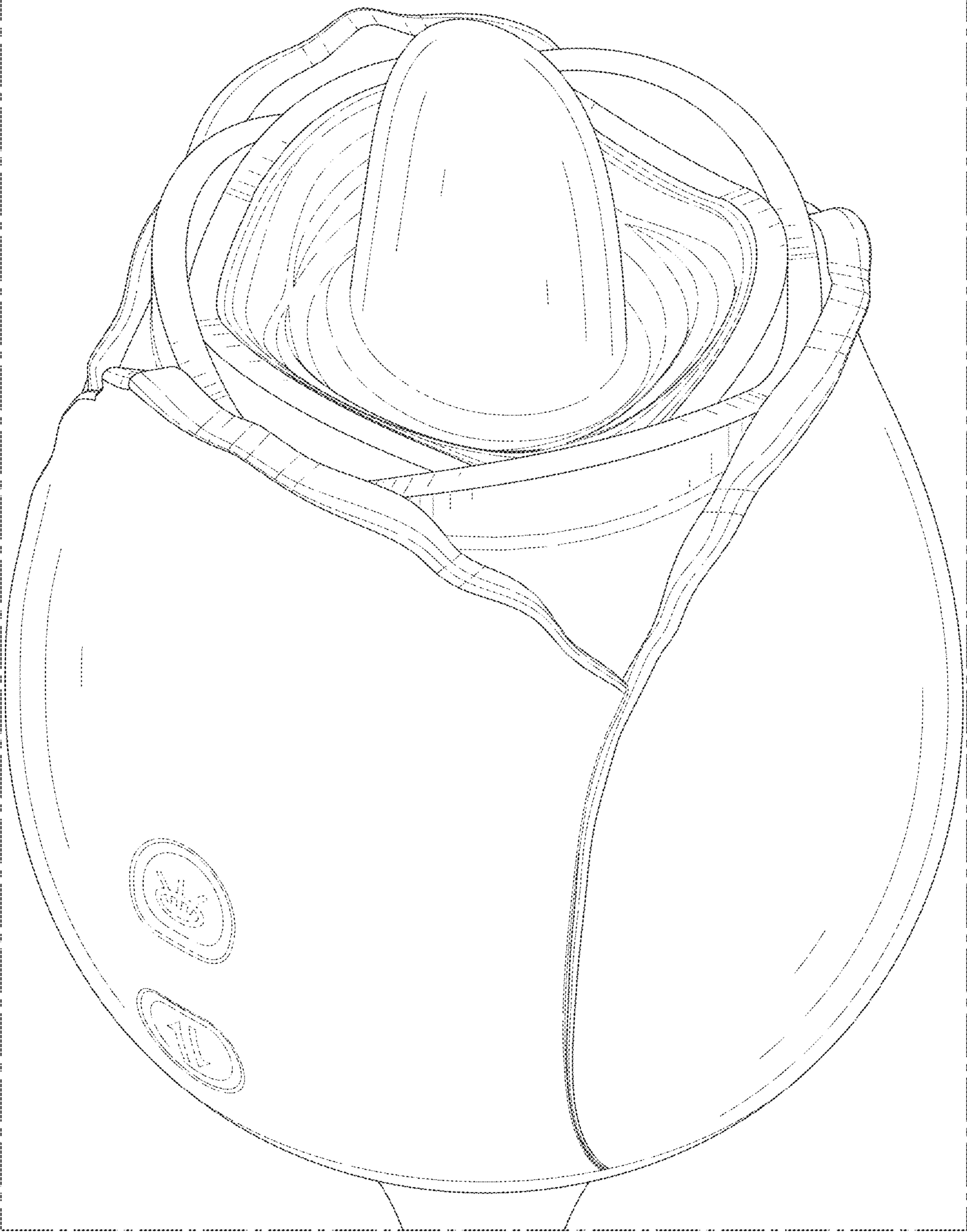


FIG. 9

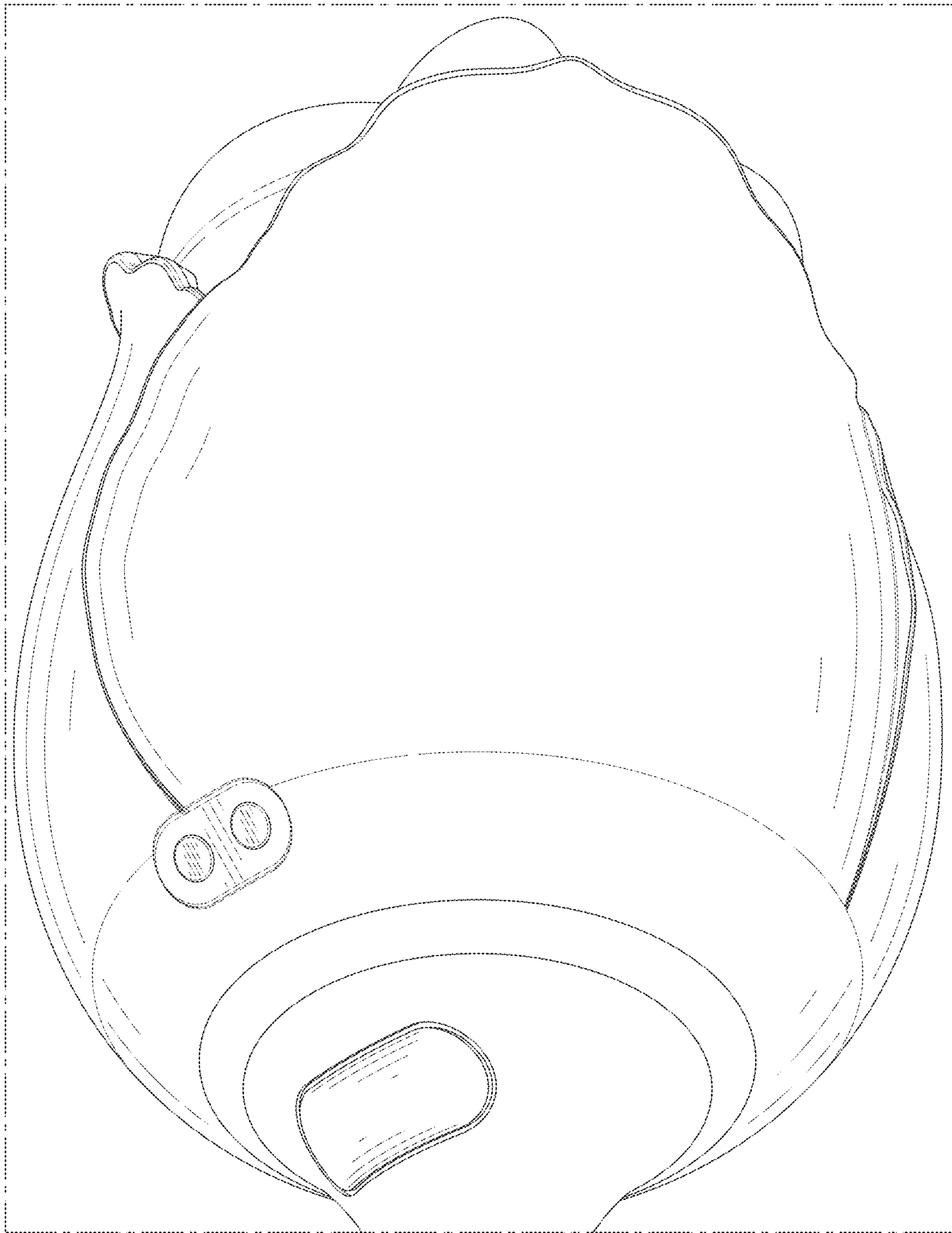


FIG. 10