



US00D978367S

(12) **United States Design Patent** (10) **Patent No.:** **US D978,367 S**
Haddock DiCarlo et al. (45) **Date of Patent:** **** Feb. 14, 2023**

(54) **ELECTROMECHANICAL STIMULATOR**

(71) Applicant: **Uccellini Inc.**, Bend, OR (US)

(72) Inventors: **Lora LeeAnne Haddock DiCarlo**,
Bend, OR (US); **Kimi Jensen**,
Beaverton, OR (US); **Kim Henneman**,
Bend, OR (US)

(73) Assignee: **Uccellini Inc.**, Bend, OR (US)

(**) Term: **15 Years**

(21) Appl. No.: **29/841,926**

(22) Filed: **Jun. 9, 2022**

Related U.S. Application Data

(60) Division of application No. 29/717,547, filed on Dec. 18, 2019, now Pat. No. Des. 956,248, which is a continuation-in-part of application No. 16/569,701, filed on Sep. 13, 2019, now Pat. No. 10,980,703, said application No. 29/717,547 is a continuation-in-part of application No. 29/695,752, filed on Jun. 21, 2019, now Pat. No. Des. 898,937, which is a continuation-in-part of application No. 29/675,567, filed on Jan. 3, 2019, now Pat. No. Des. 884,206.

(51) **LOC (14) Cl.** **28-03**

(52) **U.S. Cl.**
USPC **D24/215**

(58) **Field of Classification Search**
USPC D24/200, 211, 212, 213, 214, 215;
D30/160; D23/366

CPC .. A61H 19/32; A61H 19/34; A61H 2205/087;
A61H 19/00

See application file for complete search history.

(56) **References Cited**

U.S. PATENT DOCUMENTS

D309,660 S * 7/1990 Saguin D24/211
D722,175 S * 2/2015 Matsuura D24/215

D839,405 S * 1/2019 Hu D23/366
D861,187 S * 9/2019 Fuhner D24/215
D876,655 S * 2/2020 Lin D24/200
D878,616 S * 3/2020 Lin D24/200
D887,568 S * 6/2020 Lin D24/200
D888,266 S * 6/2020 Zhou D24/215
D894,415 S * 8/2020 Blank D24/214
D902,426 S * 11/2020 Cornaro D24/215
D911,544 S * 2/2021 Zhou D24/215
D917,710 S * 4/2021 Li D24/200
D917,712 S * 4/2021 McDevitt D24/214
D929,600 S * 8/2021 Zhang D24/215
D939,722 S * 12/2021 Haddock D24/215
D939,723 S * 12/2021 Haddock D24/215

(Continued)

OTHER PUBLICATIONS

Loradicarlo, "Baci", Earliest Review Date: May 8, 2020. <https://loradicarlo.com/baci/> (Year: 2020).*

(Continued)

Primary Examiner — Michael A Maharajh
(74) *Attorney, Agent, or Firm* — Vedder Price P.C.

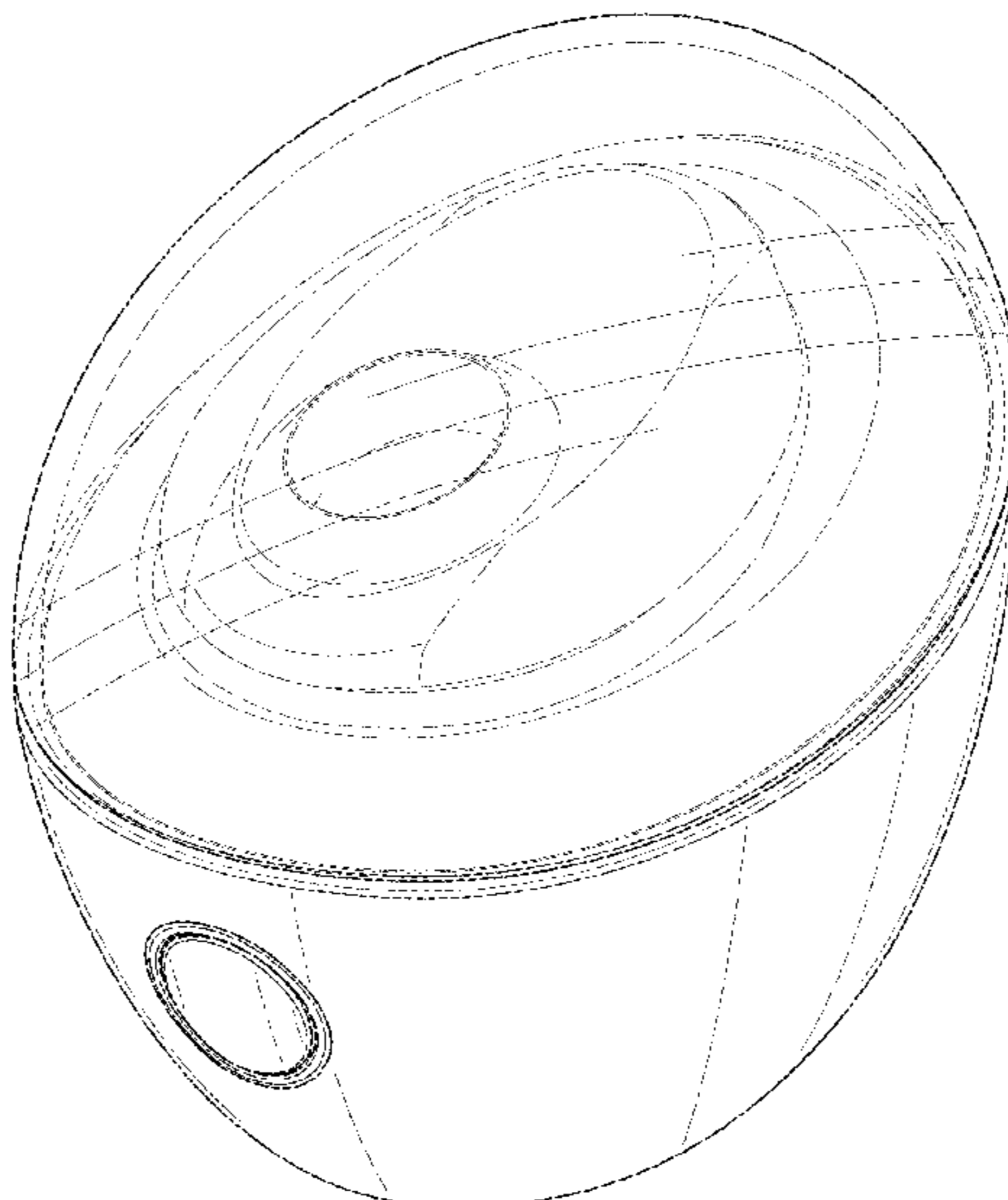
(57) **CLAIM**

The ornamental design for an electromechanical stimulator, as shown and described.

DESCRIPTION

FIG. 1 is a front top right-side perspective view of an electromechanical stimulator showing our new design; FIG. 2 is a rear bottom right side perspective view thereof; FIG. 3 is a front elevational view thereof; FIG. 4 is a rear elevational view thereof; FIG. 5 is a left side elevational view thereof; FIG. 6 is a right-side elevational view thereof; FIG. 7 is a top plan view thereof; and, FIG. 8 is a bottom plan view thereof.

1 Claim, 8 Drawing Sheets



(56)

References Cited

U.S. PATENT DOCUMENTS

D956,248 S * 6/2022 Haddock DiCarlo D24/215
D958,385 S * 7/2022 McDevitt D24/214
D961,110 S * 8/2022 Zhang D24/215

OTHER PUBLICATIONS

Youtube, “Your Baci Has Arrived”, Published Date: Jul. 25, 2020.
https://www.youtube.com/watch?v=iQ1hgv_dNBo (Year: 2020).*

Fox, Drew, “Womanizer Marks Anniversary With Limited Edition Liberty”, XBIZ, <https://www.xbiz.com/news/247810/womanizer-marks-anniversary-with-limited-edition-liberty>, Oct. 23, 2019, 2 pgs.

Pardon, Rhett, “Satisfyer Pro Traveler Now Available at Eldorado”, XBIZ, <https://www.xbiz.com/news/234100/satisfyer-pro-traveler-now-available-at-eldorado>, Mar. 3, 2018, 2 pgs.

“Womanizer Pro—Intense Clitoral Orgasm”, Joujou, <https://www.joujou.com.au/products/new-womanizer-pro-intense-clitoral-orgasm>, Jun. 6, 2017, 2 pgs.

* cited by examiner

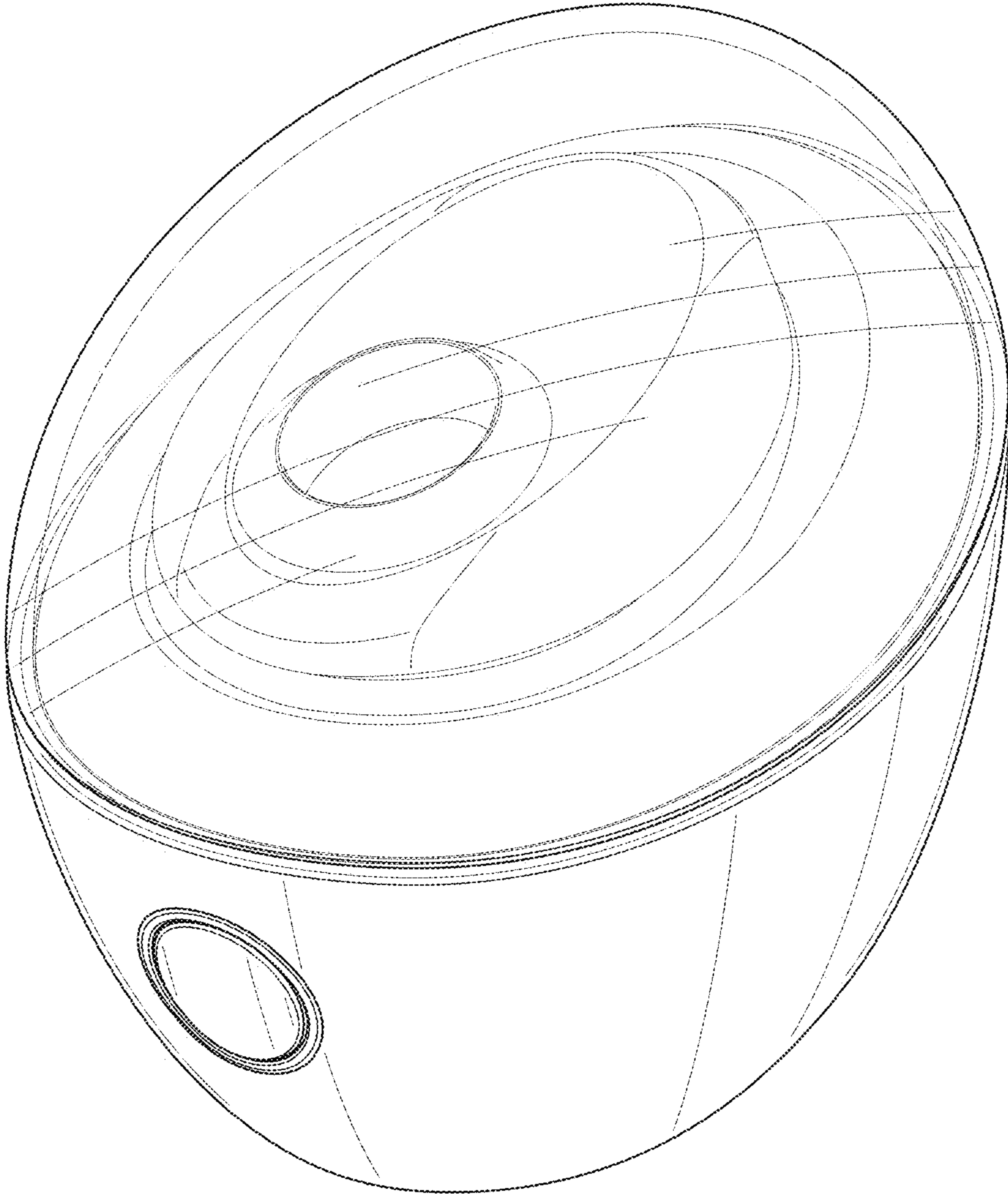


FIG. 1

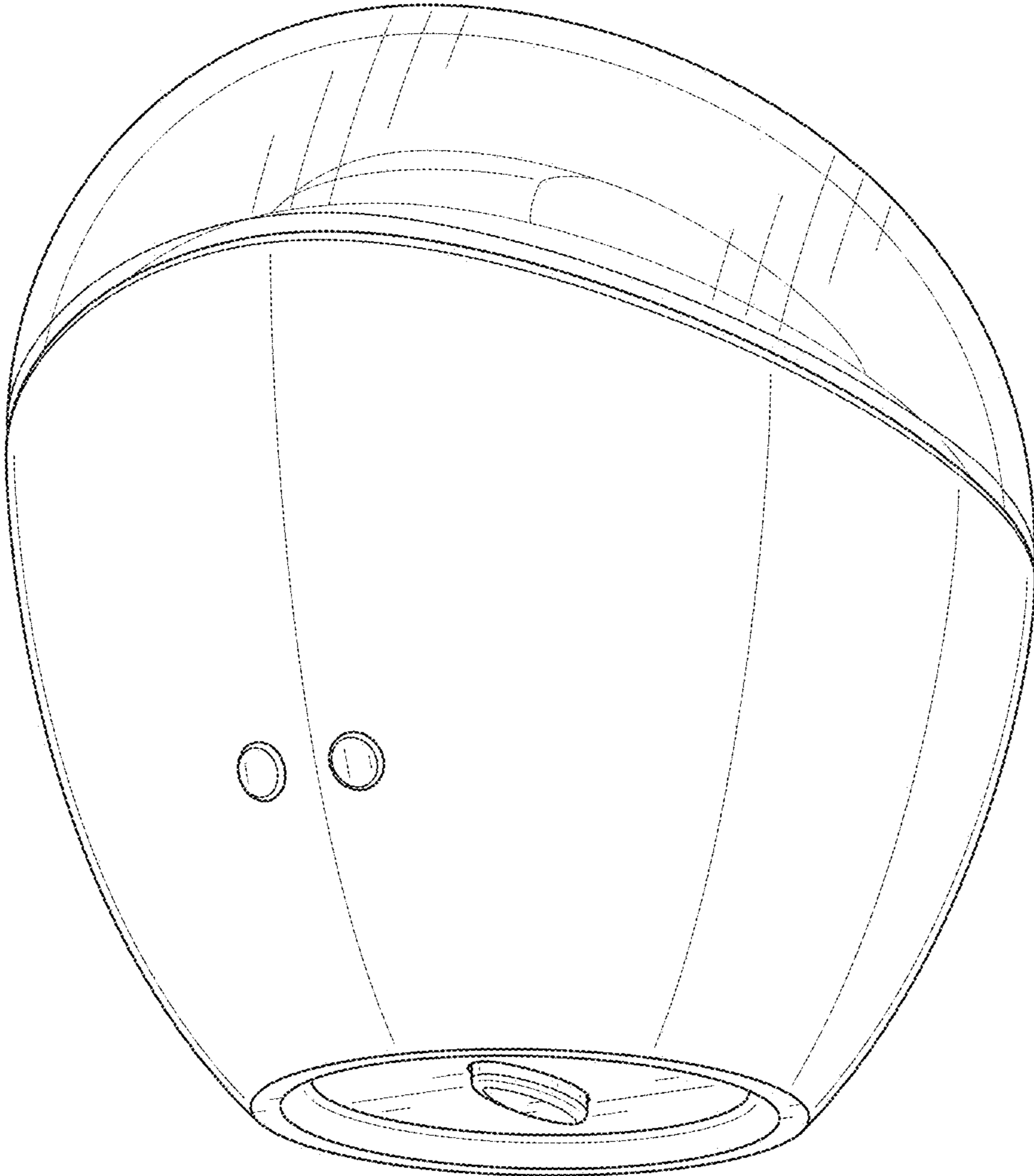


FIG. 2

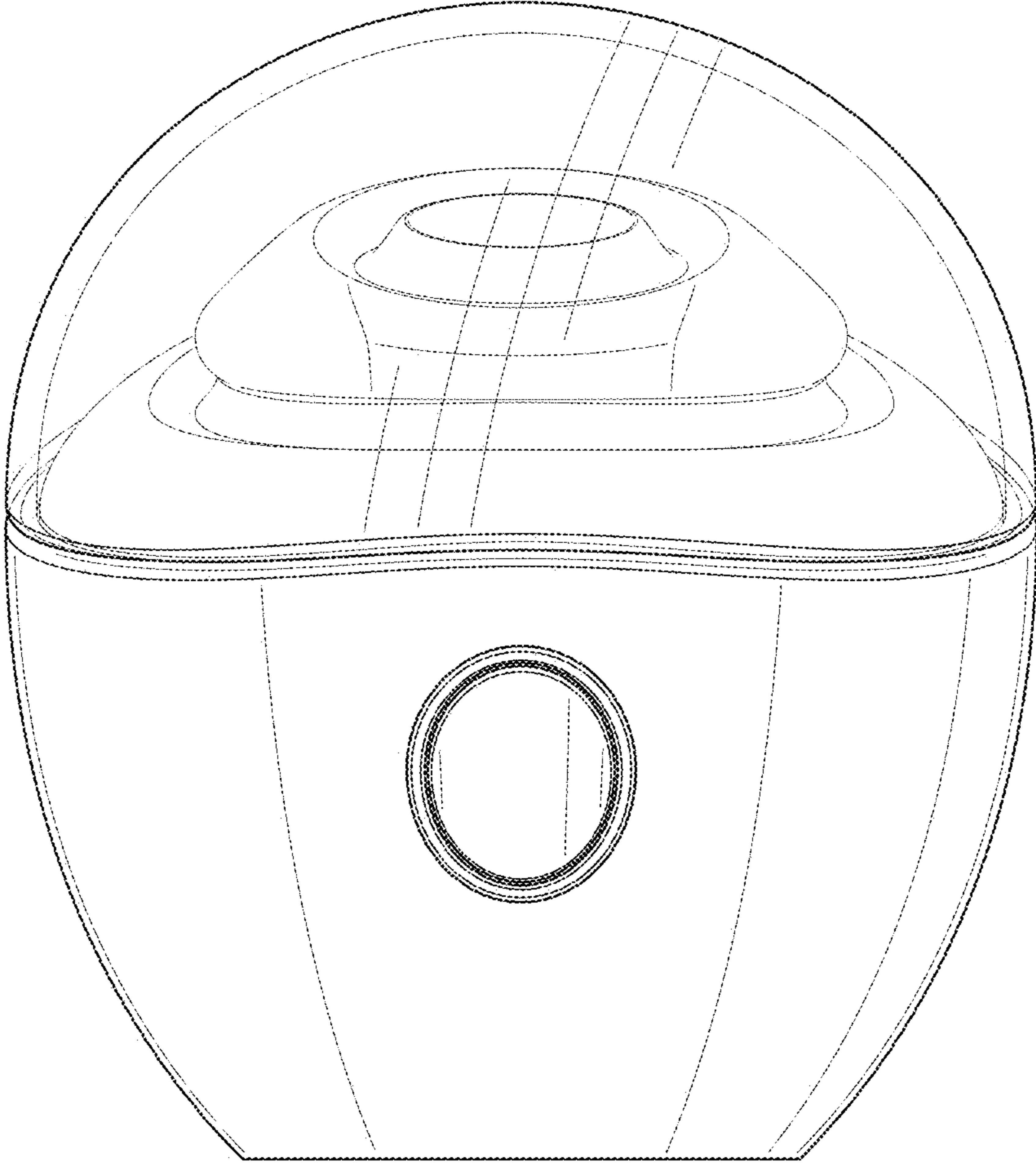


FIG. 3

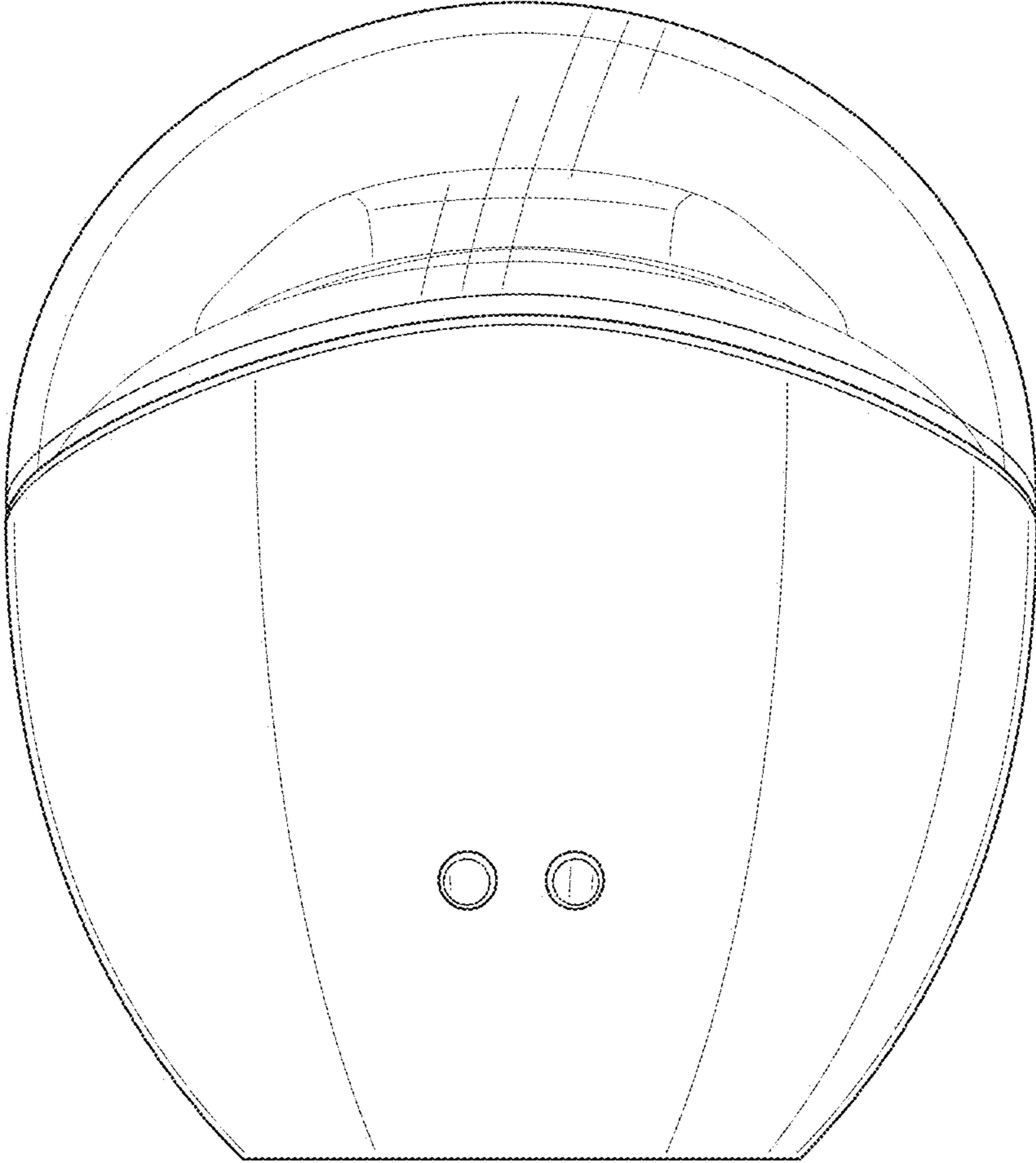


FIG. 4

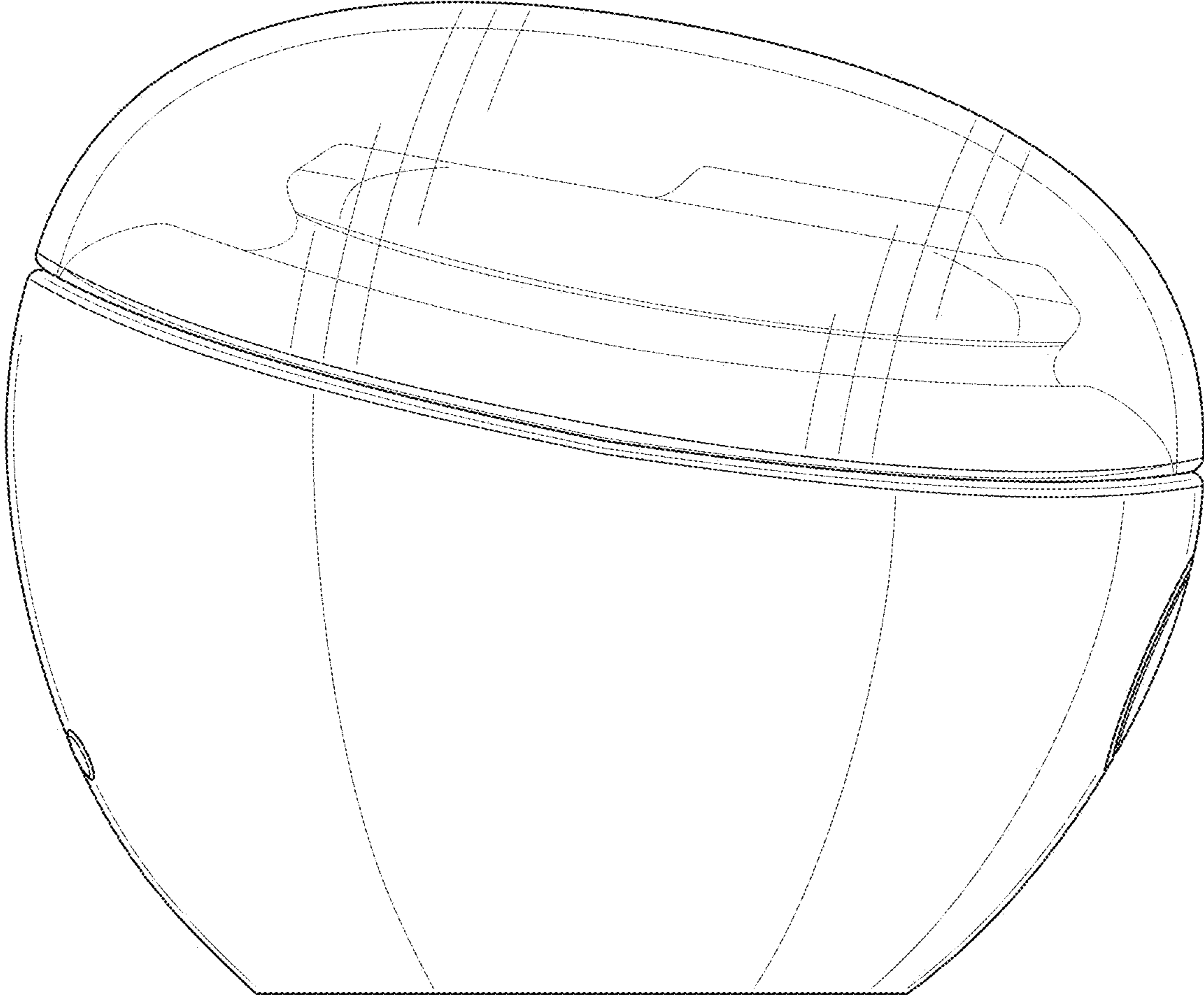


FIG. 5

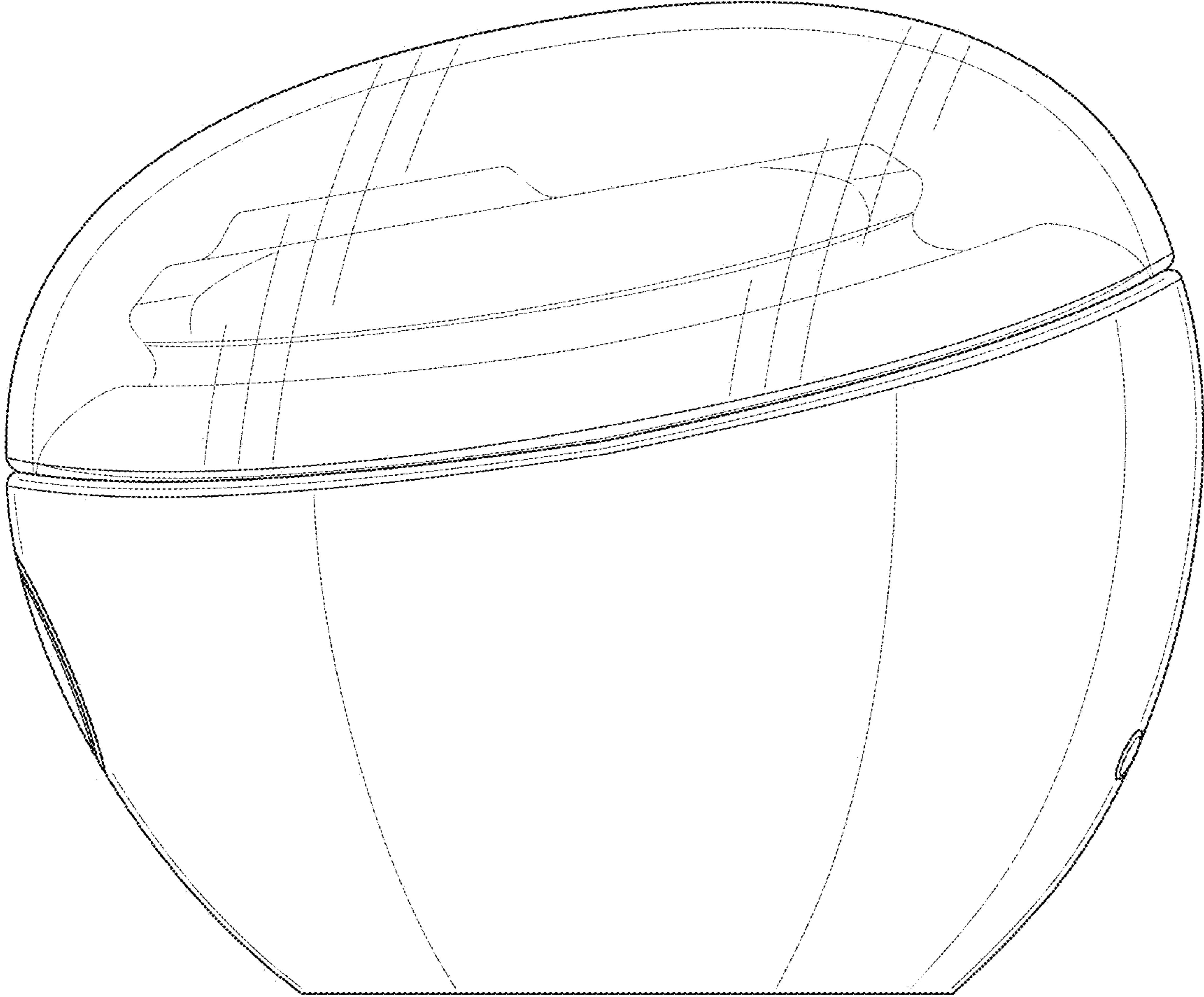


FIG. 6

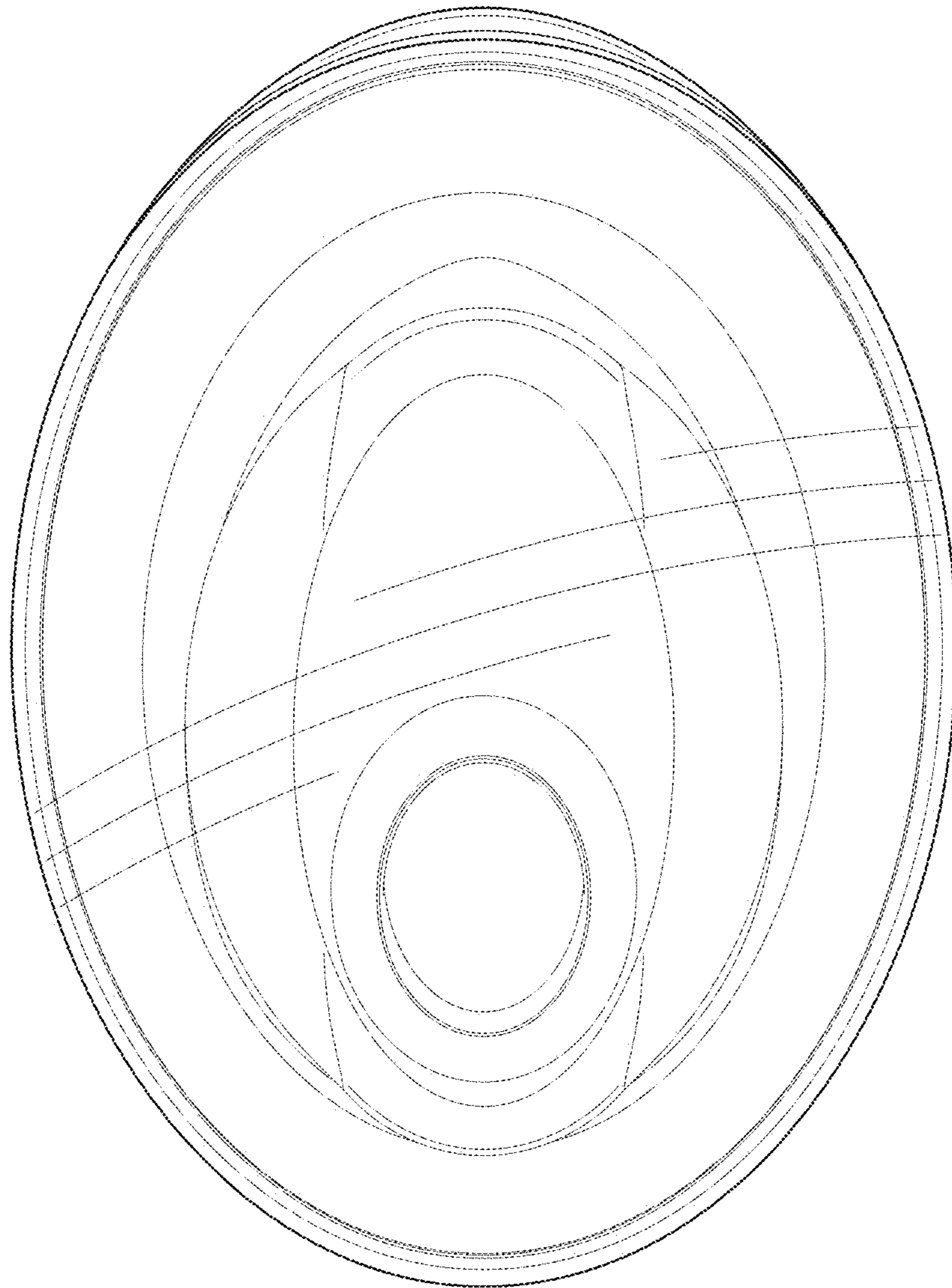


FIG. 7

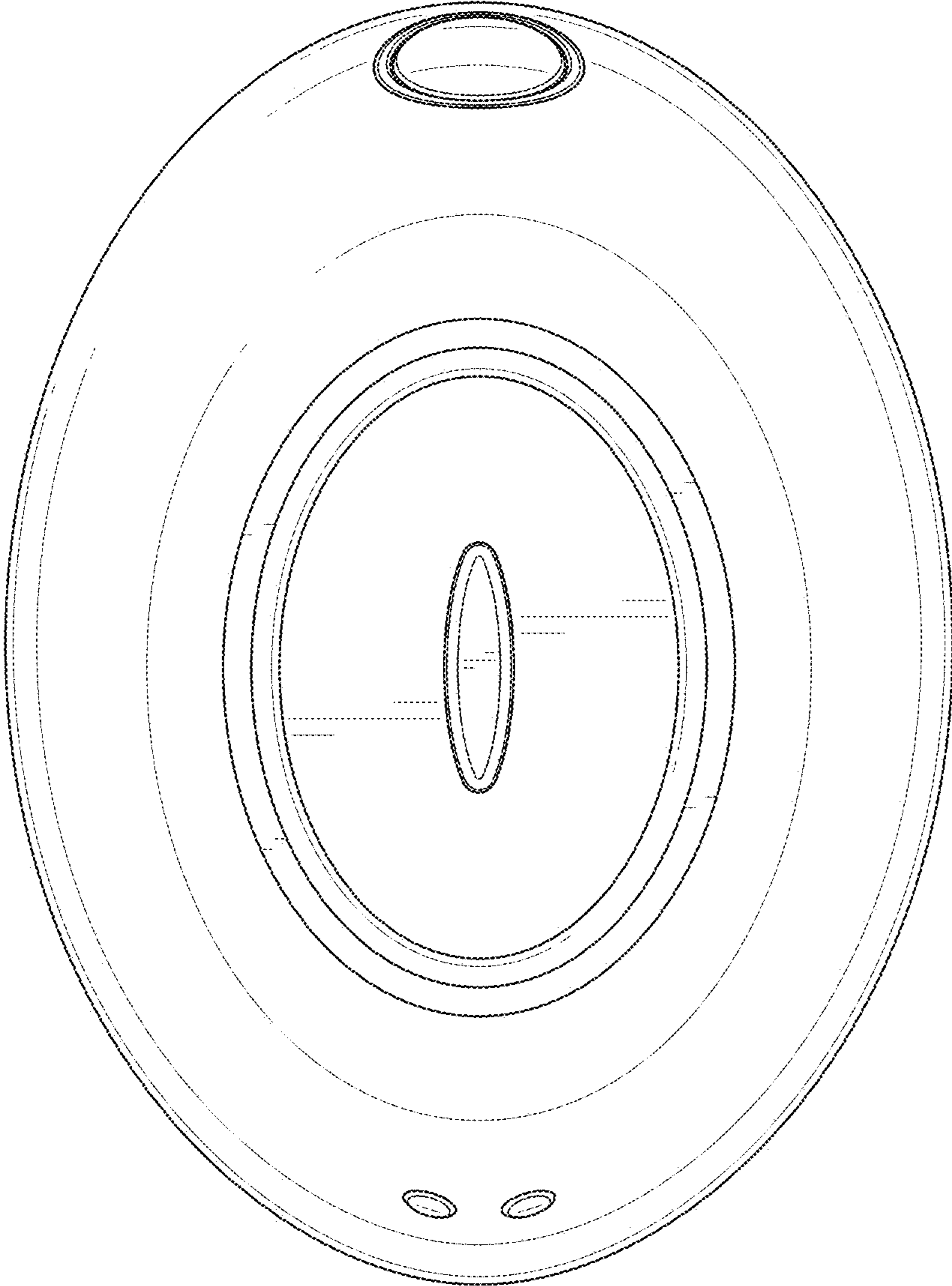


FIG. 8