



US00D978366S

(12) **United States Design Patent** (10) **Patent No.:** **US D978,366 S**
Zhang (45) **Date of Patent:** **** Feb. 14, 2023**

(54) **MUSCLE STIMULATOR**
(71) Applicant: **Shenzhen Meishen Technology Co., Ltd., Shenzhen (CN)**
(72) Inventor: **Jie Zhang, Guangdong (CN)**
(73) Assignee: **Shenzhen Meishen Technology Co., Ltd., Shenzhen (CN)**
(**) Term: **15 Years**
(21) Appl. No.: **29/811,653**
(22) Filed: **Oct. 15, 2021**
(51) **LOC (14) Cl.** **24-01**
(52) **U.S. Cl.**
USPC **D24/215; D24/200**
(58) **Field of Classification Search**
USPC D24/179, 198, 200, 206, 211, 212, 213, D24/214, 215, 227; D21/301, 309, 399, D21/412, 436, 686, 671; D30/160
CPC .. A61N 1/36034; A61N 1/36014; A61N 1/36; A61H 39/04
See application file for complete search history.

D923,803 S 6/2021 Ito et al.
D931,485 S * 9/2021 Ho D24/213
D932,034 S * 9/2021 McDonough D24/167
D934,439 S * 10/2021 McDonough D24/187
D940,890 S * 1/2022 Cartledge D24/200
D949,371 S * 4/2022 Bridge D24/213

OTHER PUBLICATIONS

Youtube, "Yemiugo Ab Belt", Published Date: Feb. 8, 2022. <https://www.youtube.com/watch?v=gYxUSnON1vl> (Year: 2022).
Inventor's, Jie Zhang, ublication on Amazon dated Jul. 9, 2021. Please refer to <https://www.amazon.com/YEMIUGO-Equipment-Intensity-Rechargeable-Abdominal/dp/B097MXFS97/> and <https://www.amazon.com/dp/B09DVQXT6L> , declaration, Sales Authorization Certificate, and the Proof of Identity of Legal Representative.

* cited by examiner

Primary Examiner — Michael A Maharajh
(74) *Attorney, Agent, or Firm* — ScienBiziP, P.C.

(57) **CLAIM**

The ornamental design for a muscle stimulator, as shown and described.

DESCRIPTION

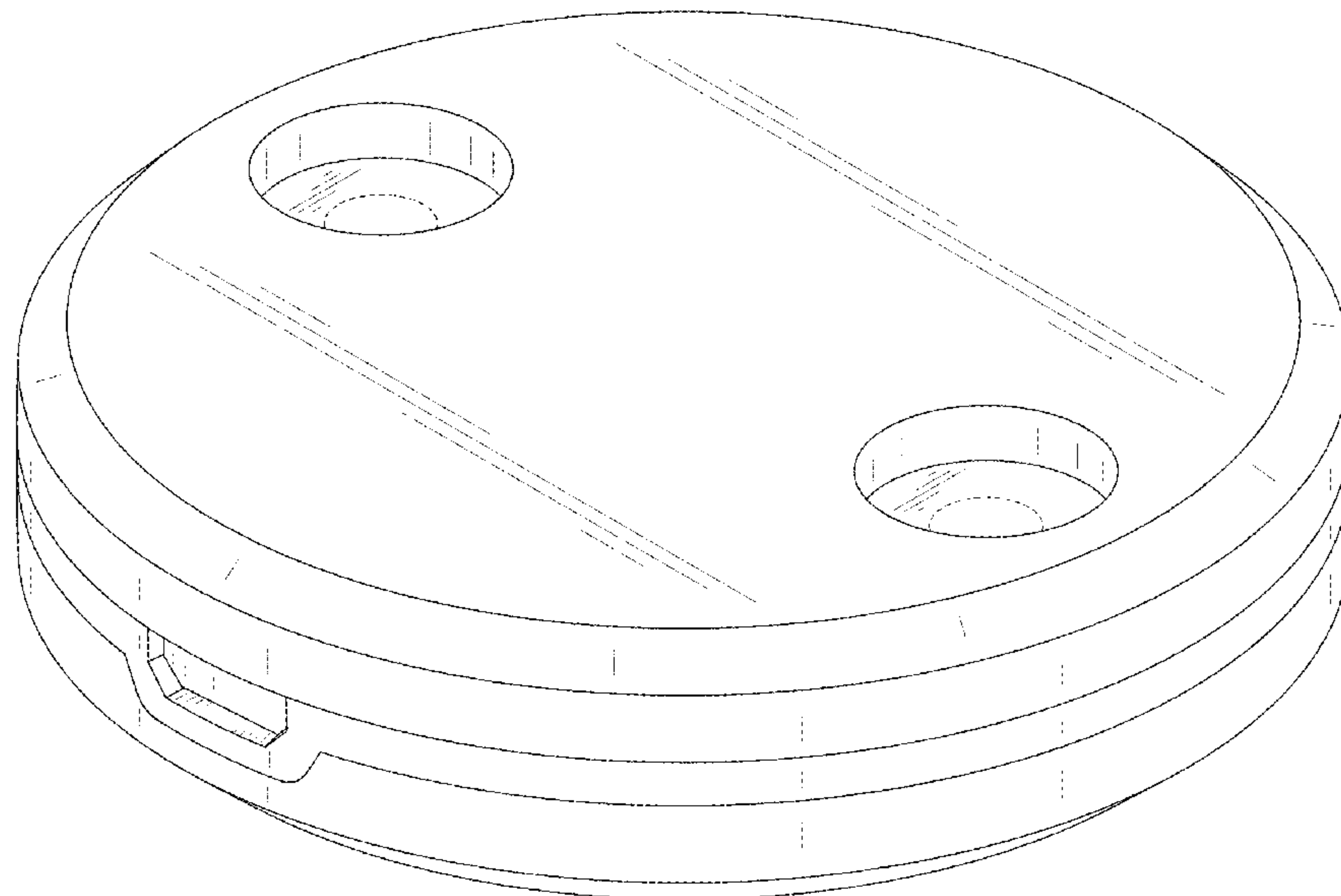
FIG. 1 is a front, right, and top perspective view of a muscle stimulator, showing my new design
FIG. 2 is a rear, left, and bottom perspective view thereof.
FIG. 3 is a front elevation view thereof.
FIG. 4 is a rear elevation view thereof.
FIG. 5 is a left side elevation view thereof.
FIG. 6 is a right side elevation view thereof.
FIG. 7 is a top plan view thereof; and,
FIG. 8 is a bottom plan view thereof.
The broken lines in the drawings are for the purpose of illustrating portions of the muscle stimulator, which form no part of the claimed design.

1 Claim, 8 Drawing Sheets

(56) **References Cited**

U.S. PATENT DOCUMENTS

D373,195 S * 8/1996 Hoff D24/214
D559,394 S * 1/2008 Ji D24/214
D612,896 S * 3/2010 Talley D21/686
D675,333 S * 1/2013 Luzon D24/215
D746,482 S * 12/2015 Ho D24/213
D759,257 S * 6/2016 Chen D24/200
D787,757 S * 5/2017 Comerford D30/160
D802,779 S * 11/2017 Inoue D24/200
D810,952 S * 2/2018 Hsu D24/186
D834,209 S * 11/2018 Tan D24/200
D834,719 S * 11/2018 Theriot D24/200
D855,193 S * 7/2019 Levi D24/200
D884,094 S * 5/2020 Huneau D21/686
D901,015 S 11/2020 Zhuang



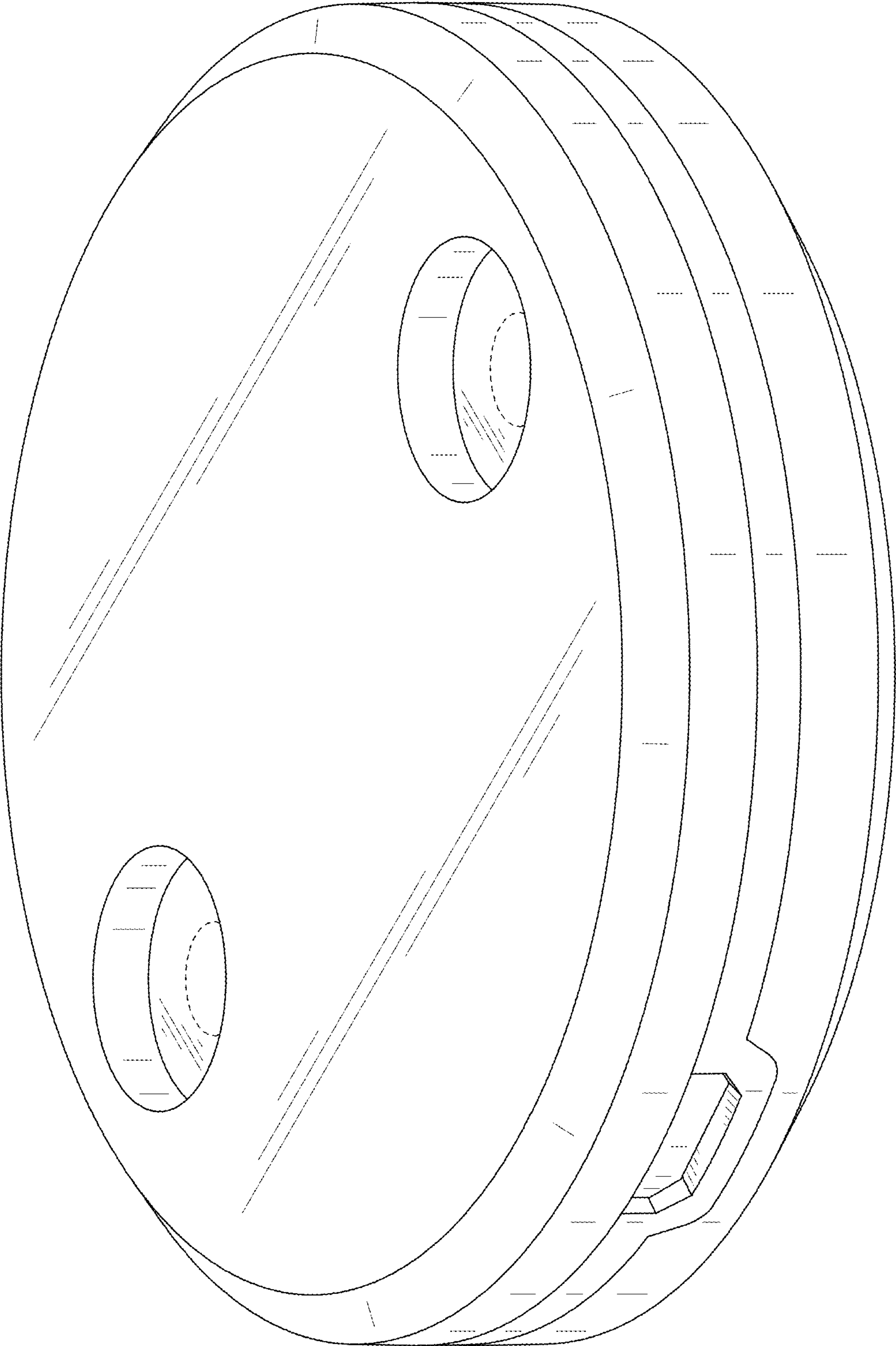


FIG. 1

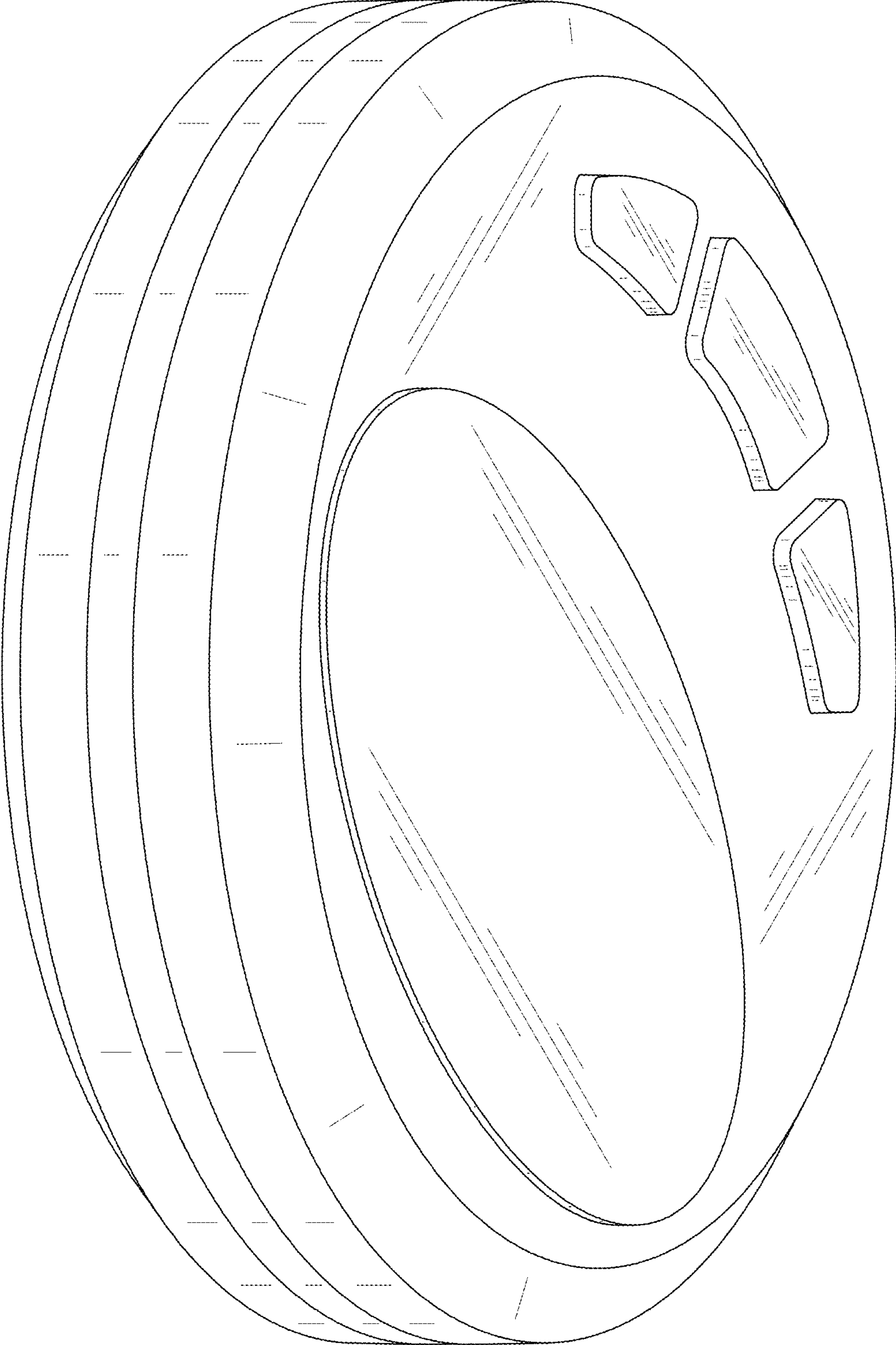


FIG. 2

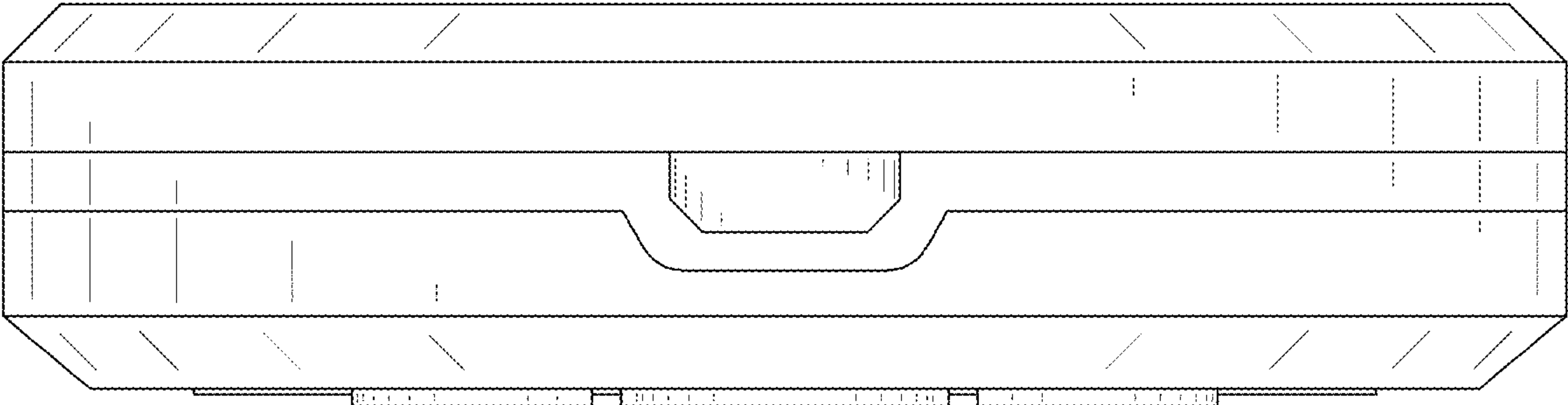


FIG. 3

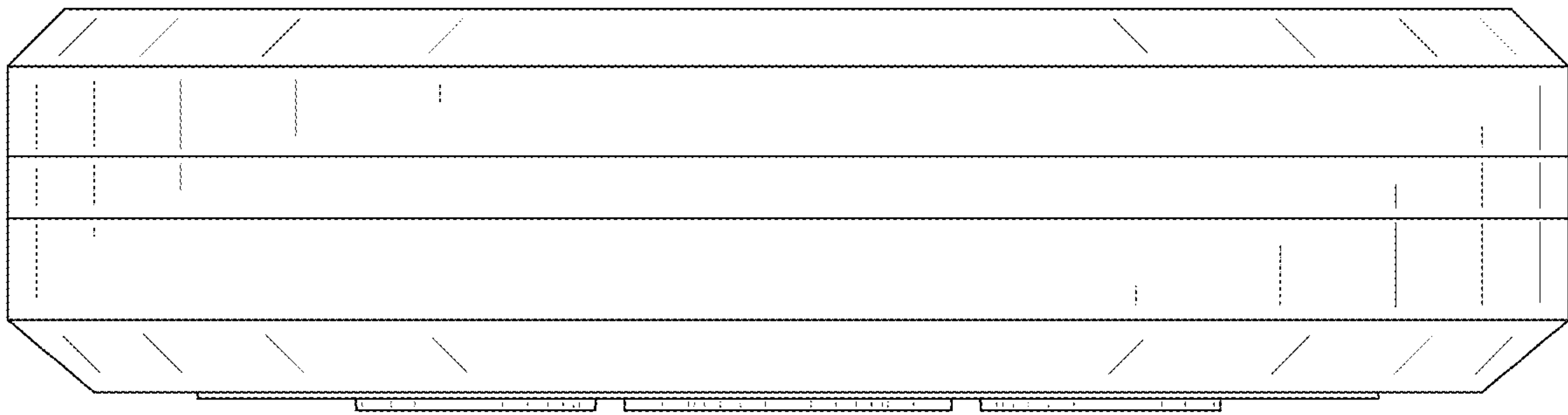


FIG. 4

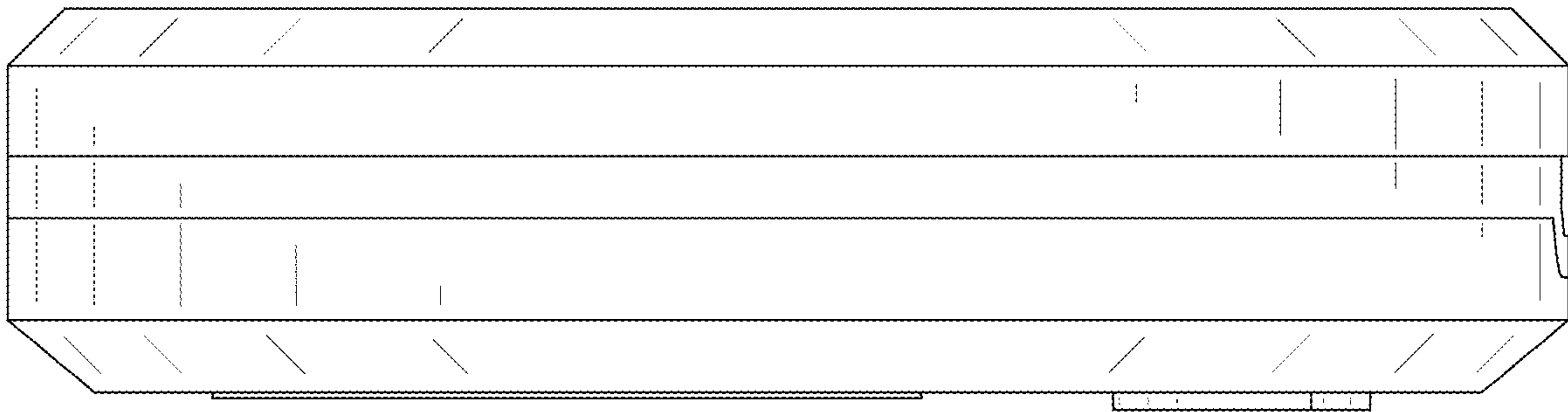


FIG. 5

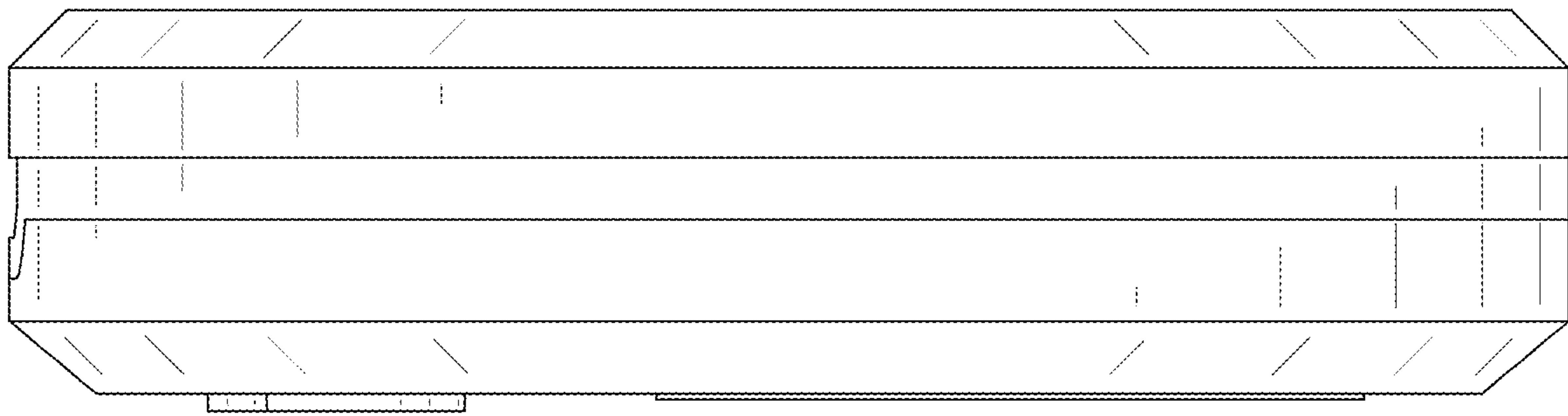


FIG. 6

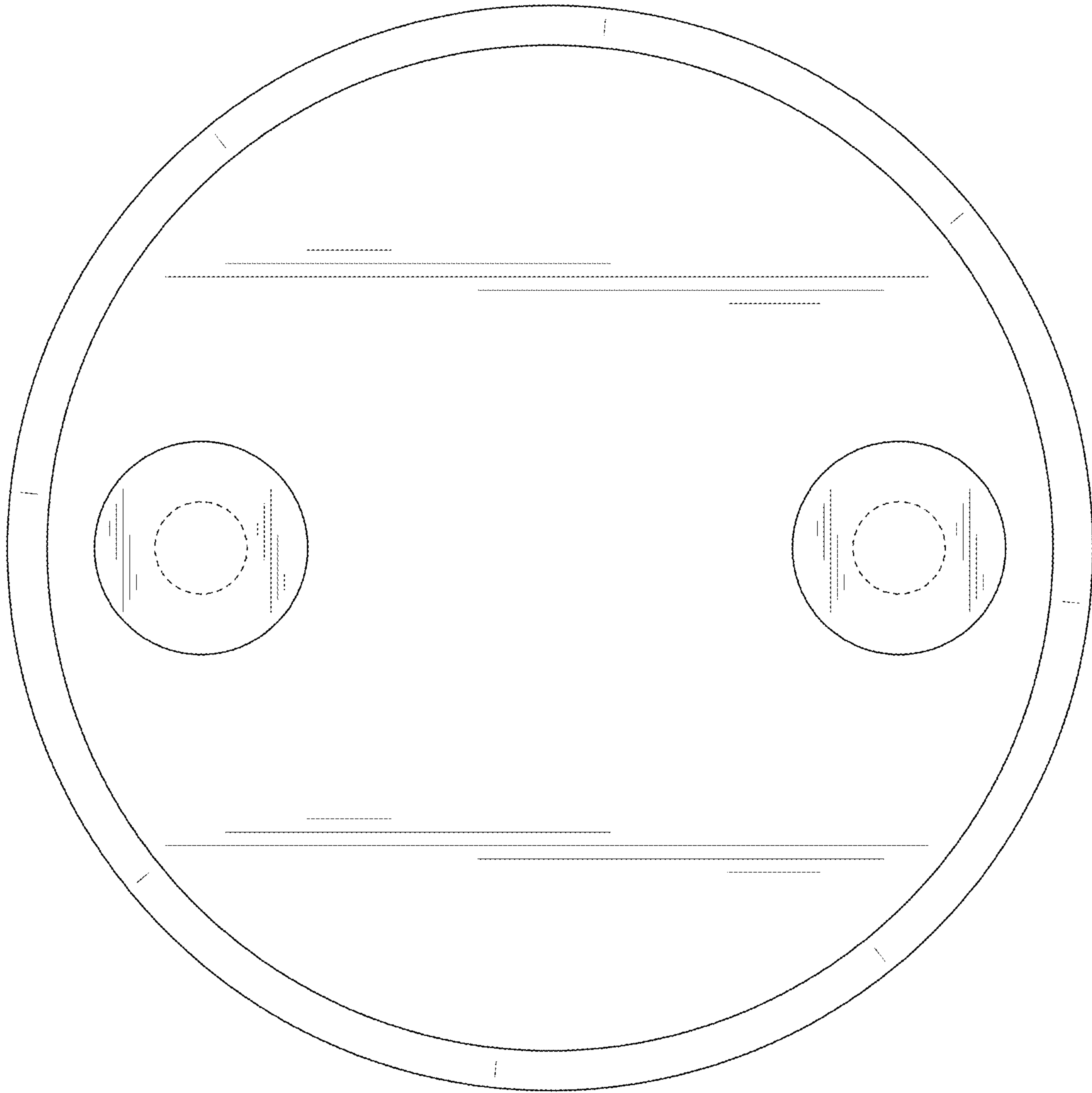


FIG. 7

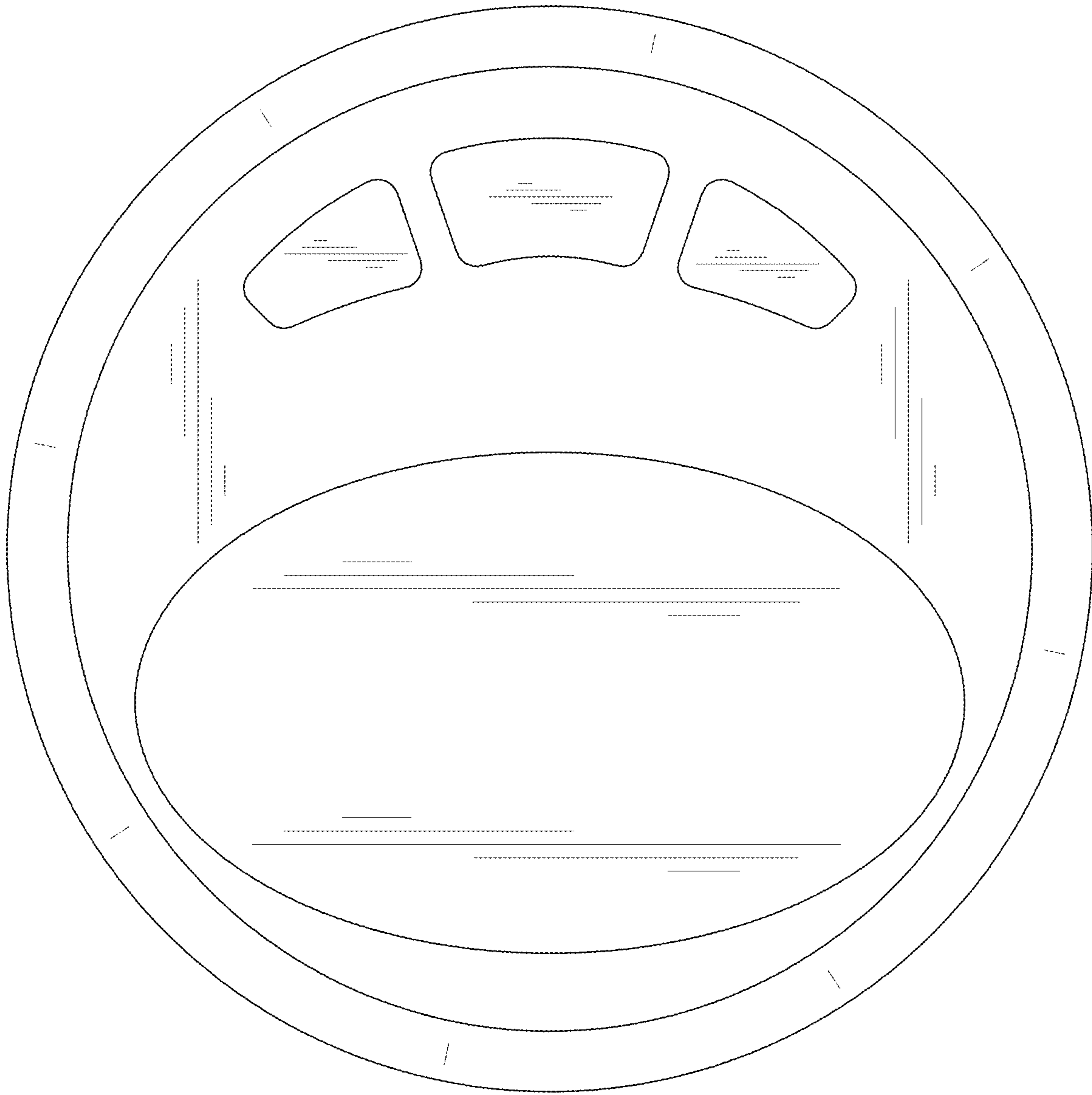


FIG. 8