



US00D978365S

(12) **United States Design Patent**
Xu

(10) **Patent No.:** **US D978,365 S**

(45) **Date of Patent:** **** Feb. 14, 2023**

(54) **FASCIA GUN**

(71) Applicant: **Lili Xu**, Zhejiang (CN)

(72) Inventor: **Lili Xu**, Zhejiang (CN)

(**) Term: **15 Years**

(21) Appl. No.: **29/779,290**

(22) Filed: **Apr. 19, 2021**

(51) **LOC (14) Cl.** **28-03**

(52) **U.S. Cl.**
USPC **D24/215**

(58) **Field of Classification Search**
USPC D24/200, 211, 212, 213, 214, 215;
D8/14.1; D28/13
CPC A61H 23/006; A61H 23/02; A61H
2201/0165; A61H 23/00; A61H 7/00;
A61H 7/007; A61H 2023/002
See application file for complete search history.

(56) **References Cited**

U.S. PATENT DOCUMENTS

D863,571 S	*	10/2019	Yang	D24/200
D899,620 S	*	10/2020	Huang	D24/215
D906,533 S	*	12/2020	Xu	D24/215
D921,917 S	*	6/2021	Xu	D24/215

D927,715 S	*	8/2021	Li	D24/215
D933,250 S	*	10/2021	Shen	D24/211
D933,844 S	*	10/2021	Chen	D24/214
D948,067 S	*	4/2022	Zheng	D24/215
D949,383 S	*	4/2022	Xu	D24/215
D949,385 S	*	4/2022	Zang	D24/215
D949,419 S	*	4/2022	Lin	D24/215
D949,421 S	*	4/2022	Luo	D24/215
D952,174 S	*	5/2022	Shu	D24/215
D956,259 S	*	6/2022	Xu	D24/215
D956,992 S	*	7/2022	Lin	D24/215
D956,994 S	*	7/2022	Marzolf	D24/215

* cited by examiner

Primary Examiner — Michael A Maharajh

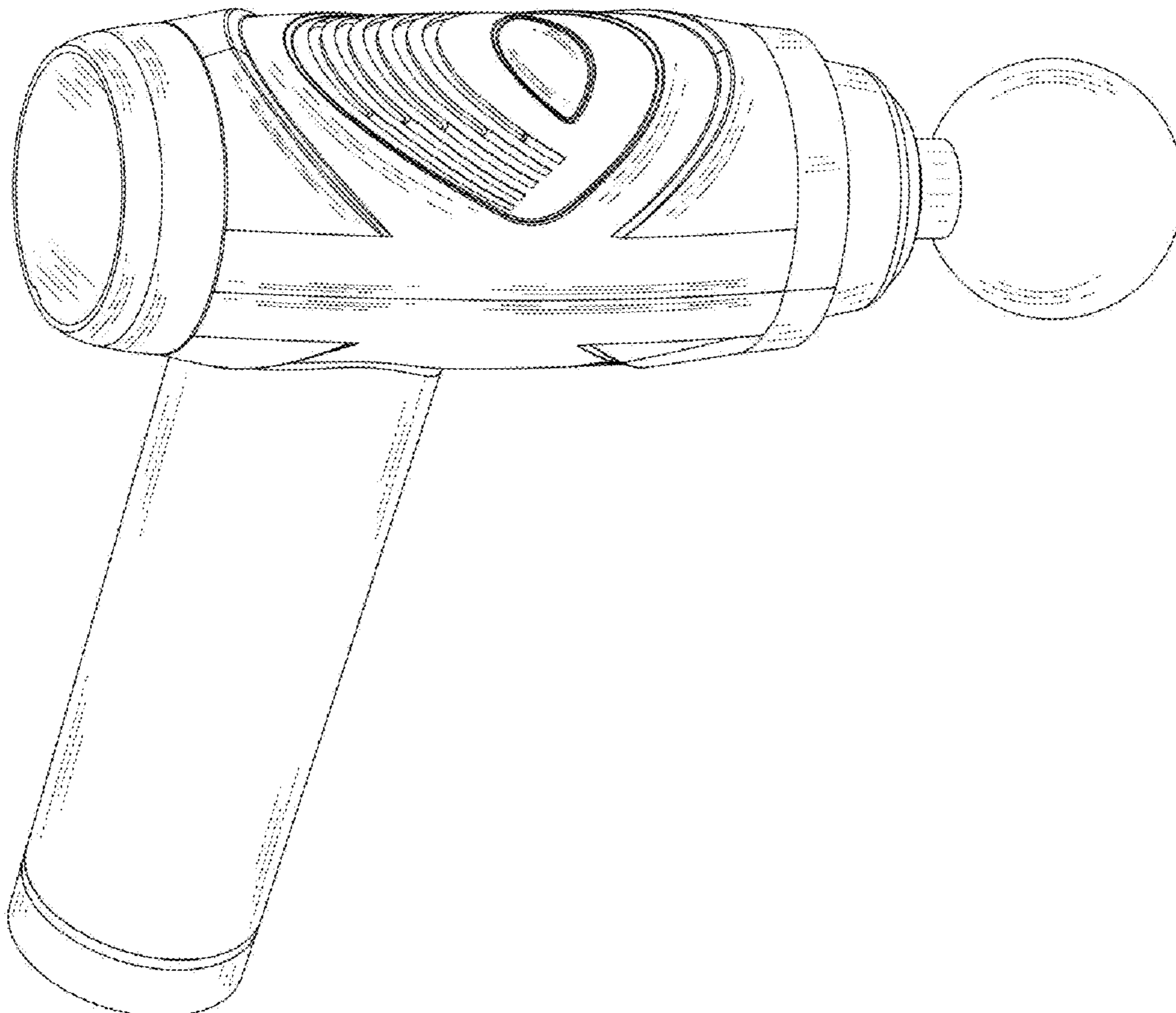
(57) **CLAIM**

The ornamental design for a fascia gun, as shown and described.

DESCRIPTION

FIG. 1 is a top perspective view of a fascia gun showing my new design;
FIG. 2 is a front elevation view thereof;
FIG. 3 is a rear elevation view thereof;
FIG. 4 is a left side elevation view thereof;
FIG. 5 is a right side elevation view thereof;
FIG. 6 is a top plan view thereof;
FIG. 7 is a bottom plan view thereof; and,
FIG. 8 is a bottom perspective view thereof.

1 Claim, 8 Drawing Sheets



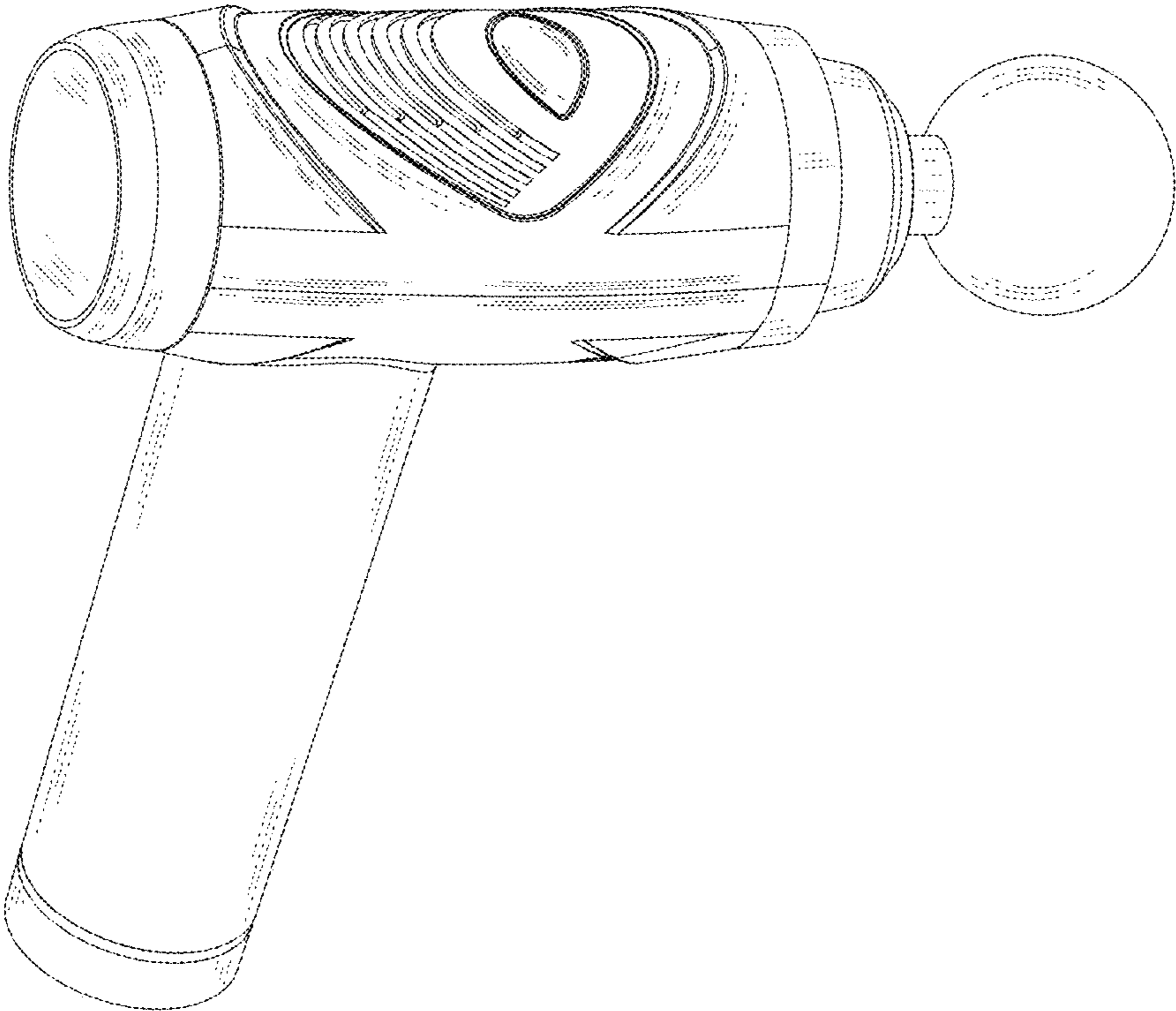


FIG. 1

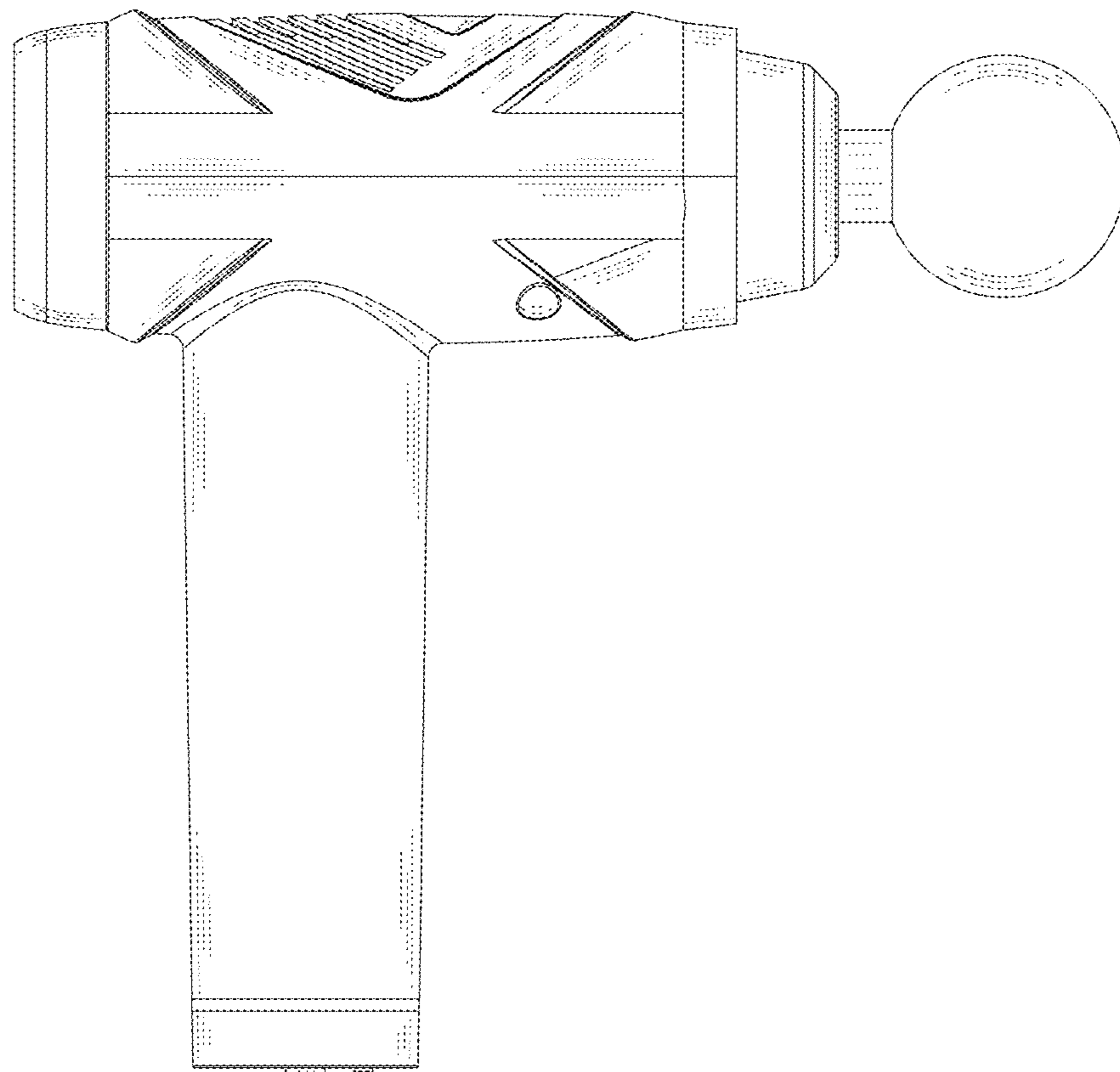


FIG. 2

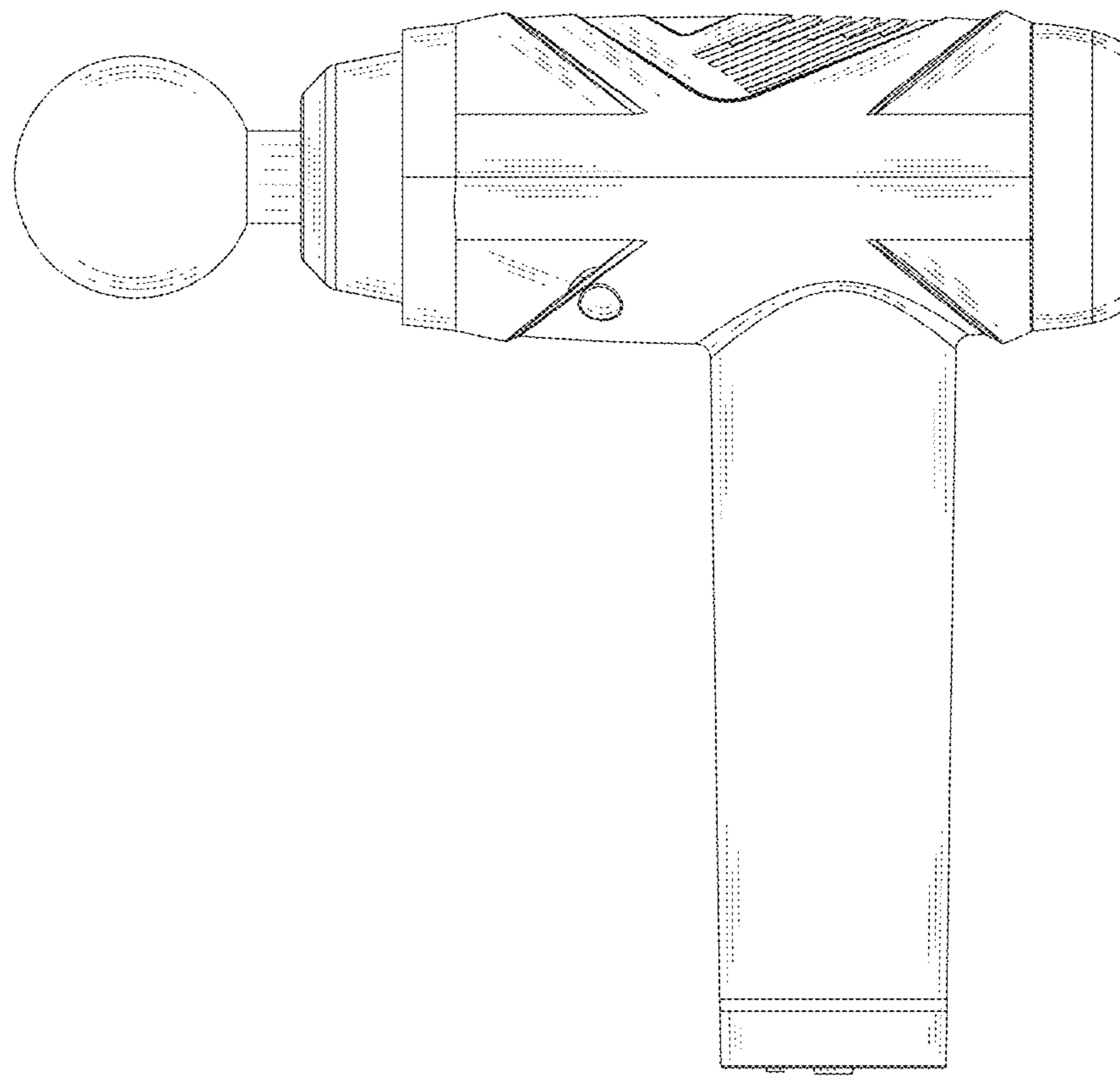


FIG. 3

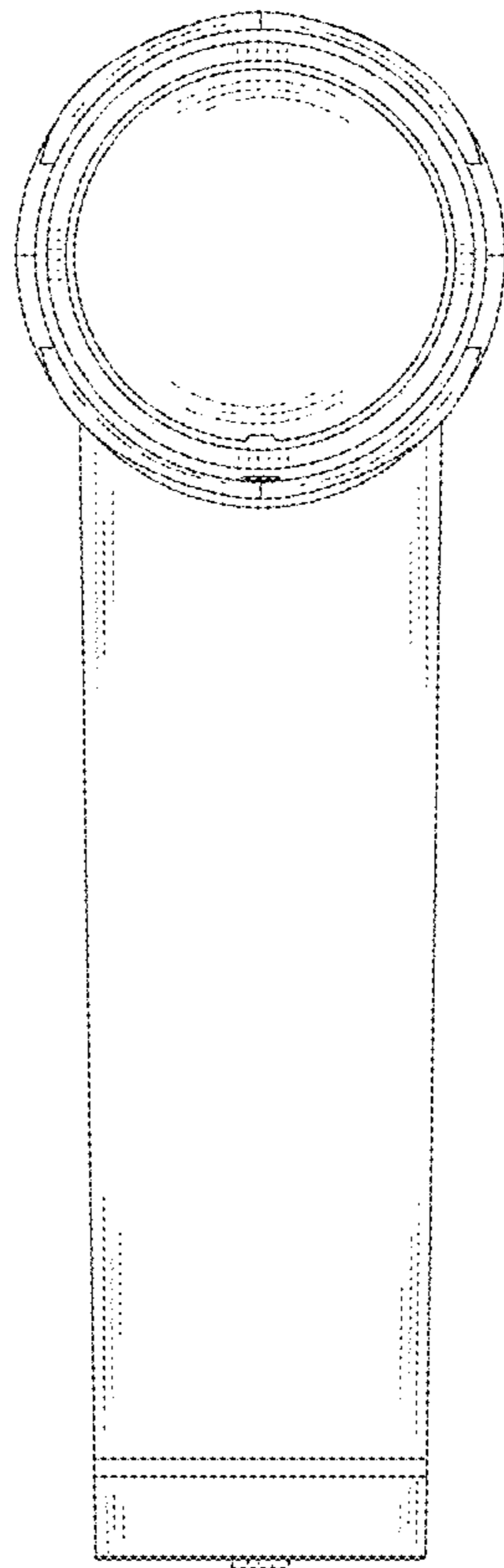


FIG. 4

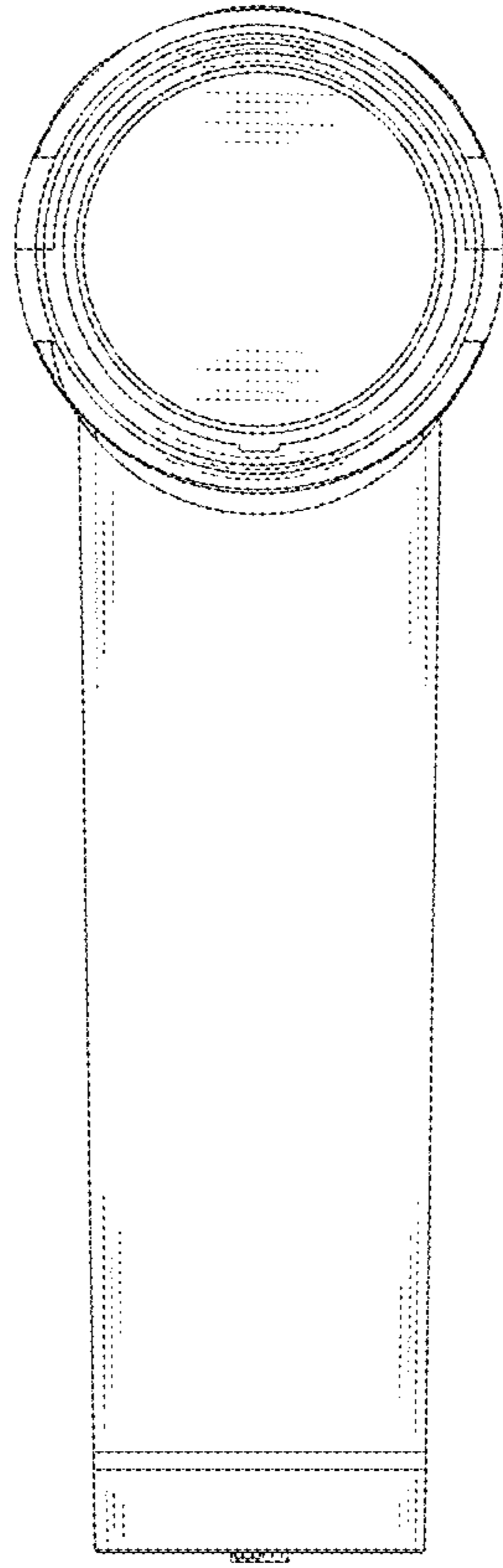


FIG. 5

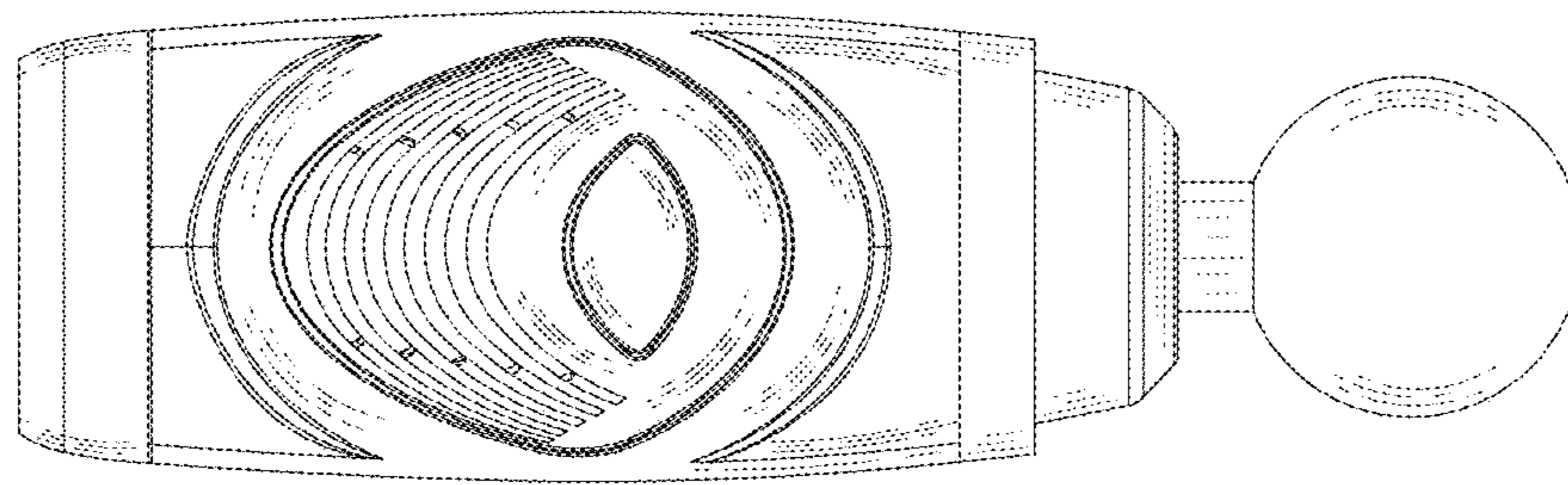


FIG. 6

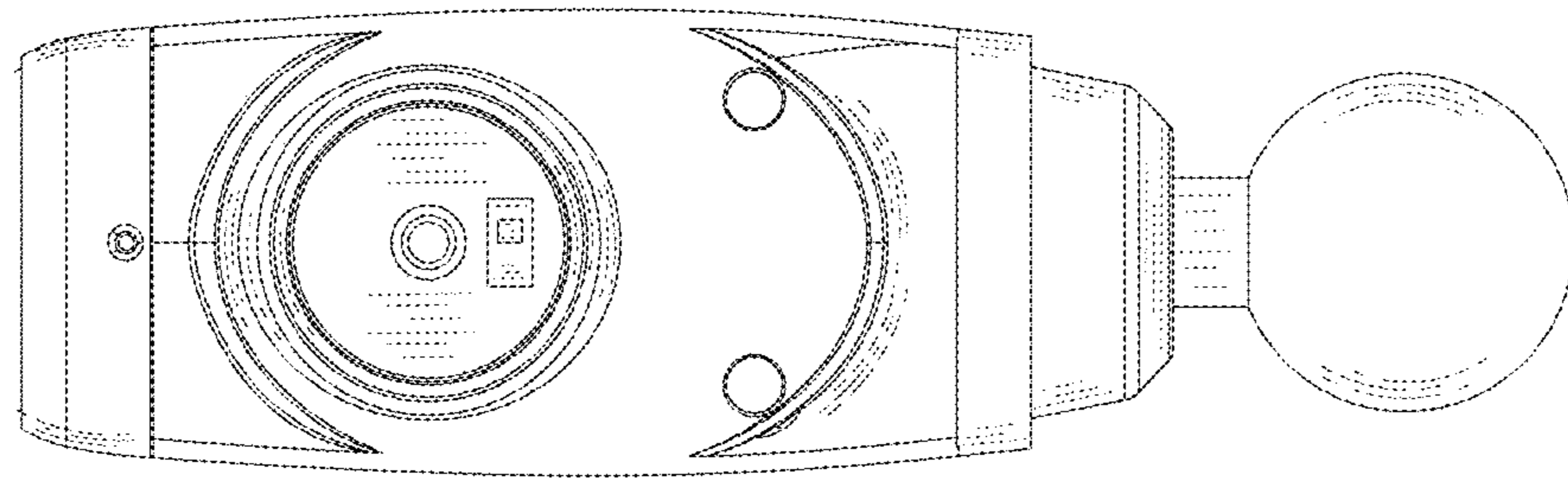


FIG. 7

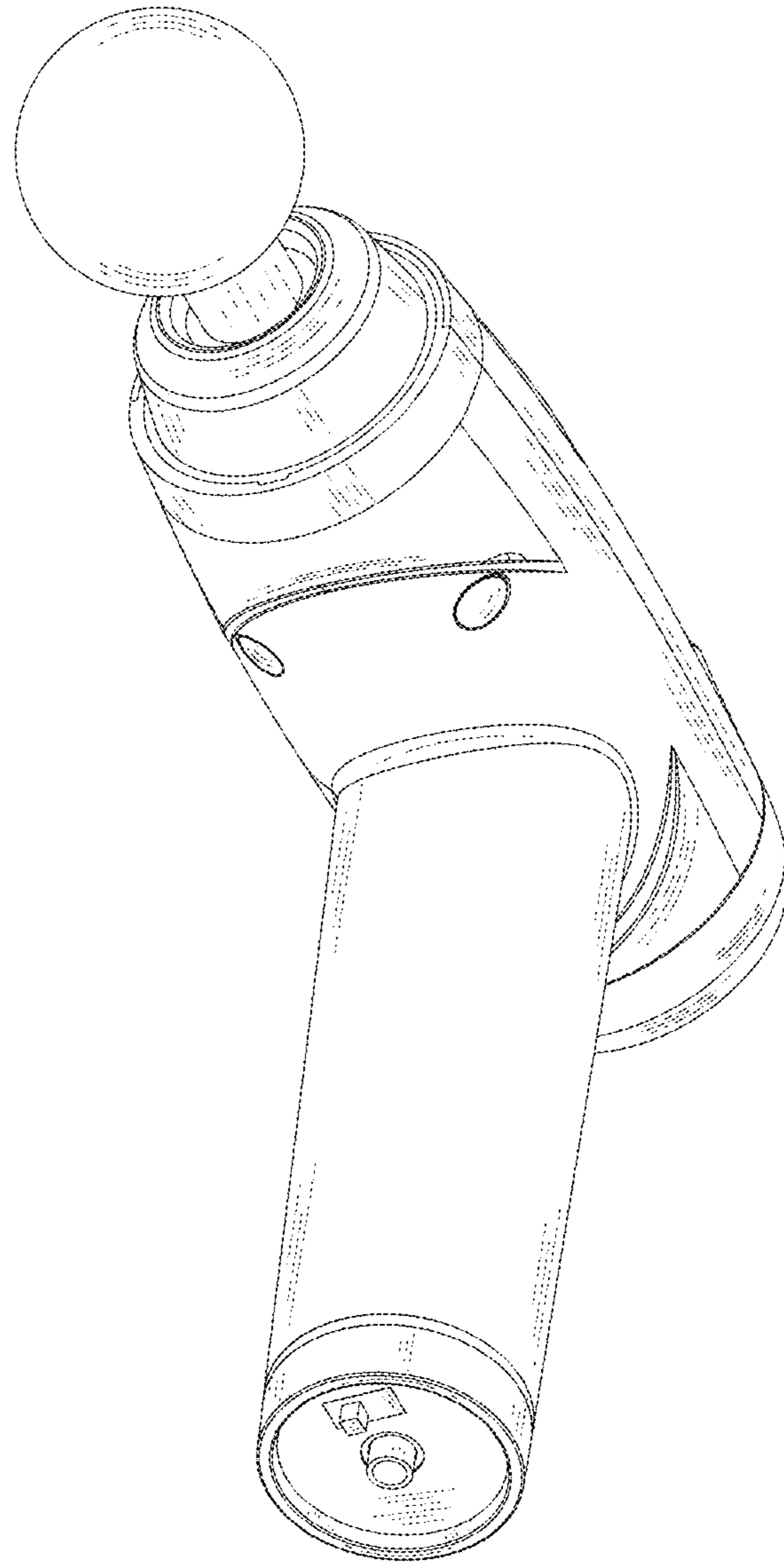


FIG. 8