



US00D978361S

(12) **United States Design Patent**  
**Kehat**

(10) **Patent No.:** **US D978,361 S**

(45) **Date of Patent:** **\*\* Feb. 14, 2023**

(54) **BABY BOTTLE**

(71) Applicant: **NUTRITS LTD**, Tel Aviv (IL)

(72) Inventor: **Asaf Kehat**, Tel Aviv (IL)

(73) Assignee: **NUTRITS LTD**, Tel Aviv (IL)

(\*\*) Term: **15 Years**

(21) Appl. No.: **29/743,231**

(22) Filed: **Jul. 20, 2020**

(51) **LOC (14) Cl.** ..... **07-01**

(52) **U.S. Cl.**  
USPC ..... **D24/197**

(58) **Field of Classification Search**  
USPC ..... D24/194, 195, 196, 197, 198, 199;  
D7/392.1, 511, 513, 619.1, 622, 624.2;  
D9/523, 530, 531, 537, 548, 719, 741,  
D9/745  
CPC .... A61J 9/00; A61J 9/005; A61J 9/008; A61J  
9/0676; A61J 9/08; A47J 36/2411  
See application file for complete search history.

(56) **References Cited**

**U.S. PATENT DOCUMENTS**

2,387,573	A *	10/1945	Ganson	.....	A61J 11/02 D24/197
7,234,606	B2 *	6/2007	Kraus	.....	A61J 9/00 215/11.1
D609,355	S *	2/2010	Strickler	.....	D24/197
D625,423	S *	10/2010	MacKay	.....	D24/197
D635,684	S *	4/2011	Shaikh	.....	D24/197
D648,857	S *	11/2011	Pheil	.....	D24/197
D724,748	S *	3/2015	Roehrig	.....	D24/197
D866,777	S *	11/2019	Han	.....	D24/197
D878,614	S *	3/2020	Zhang	.....	D24/197
D921,209	S *	6/2021	Grkman	.....	D24/197
D933,245	S *	10/2021	Clores	.....	D24/197
2004/0256345	A1 *	12/2004	Lundquist	.....	A61J 11/0085 215/11.1
2019/0110956	A1 *	4/2019	Smith	.....	A61J 9/06

**OTHER PUBLICATIONS**

“Nanobebe: Flexy Silicone Bottle”. Found online Jul. 11, 2022 at amazon.com. Reference dated Oct. 16, 2020. Retrieved from https://www.amazon.com/Nanobebe-Silicone-Anti-Colic-Natural-Non-Collapsing/dp/B09QT5LMDN/.\*

“Baby Brezza: Glass Bottle with Lid”. Found online May 9, 2019 at amazon.com. Reference dated Mar. 18, 2017. Retrieved from https://www.amazon.com/Baby-Brezza-Piece-Natural-Bottle/dp/B01N4WTRXR/.\*

“Comotomo: Natural Feel Bottle”. Found online Feb. 12, 2018 at amazon.com. Reference dated Feb. 25, 2011. Retrieved from https://www.amazon.com/Comotomo-Natural-Bottle-Green-Ounces/dp/B004C053AQ/.\*

“Mombella: Breast-Like Silicone Feeding Bottle”. Found online Jul. 16, 2022 at mombella.com. Reference dated Mar. 28, 2022. Retrieved from https://www.mombella.com/products/mombella-ivory-breast-like-anti-colic-silicone-4oz-baby-feeding-bottle-white.\*

\* cited by examiner

*Primary Examiner* — Kendra Leslie Hamilton

(74) *Attorney, Agent, or Firm* — Wolter Van Dyke Davis, PLLC; Eugene J. Molinelli; Patrick Herron

(57) **CLAIM**

The ornamental design for a baby bottle, as shown and described.

**DESCRIPTION**

FIG. 1 is a front elevation view of a baby bottle, showing my design;

FIG. 2 is a back view thereof;

FIG. 3 is a right side elevation view thereof, wherein the left side elevation view is a mirror image thereof;

FIG. 4 is a top view thereof;

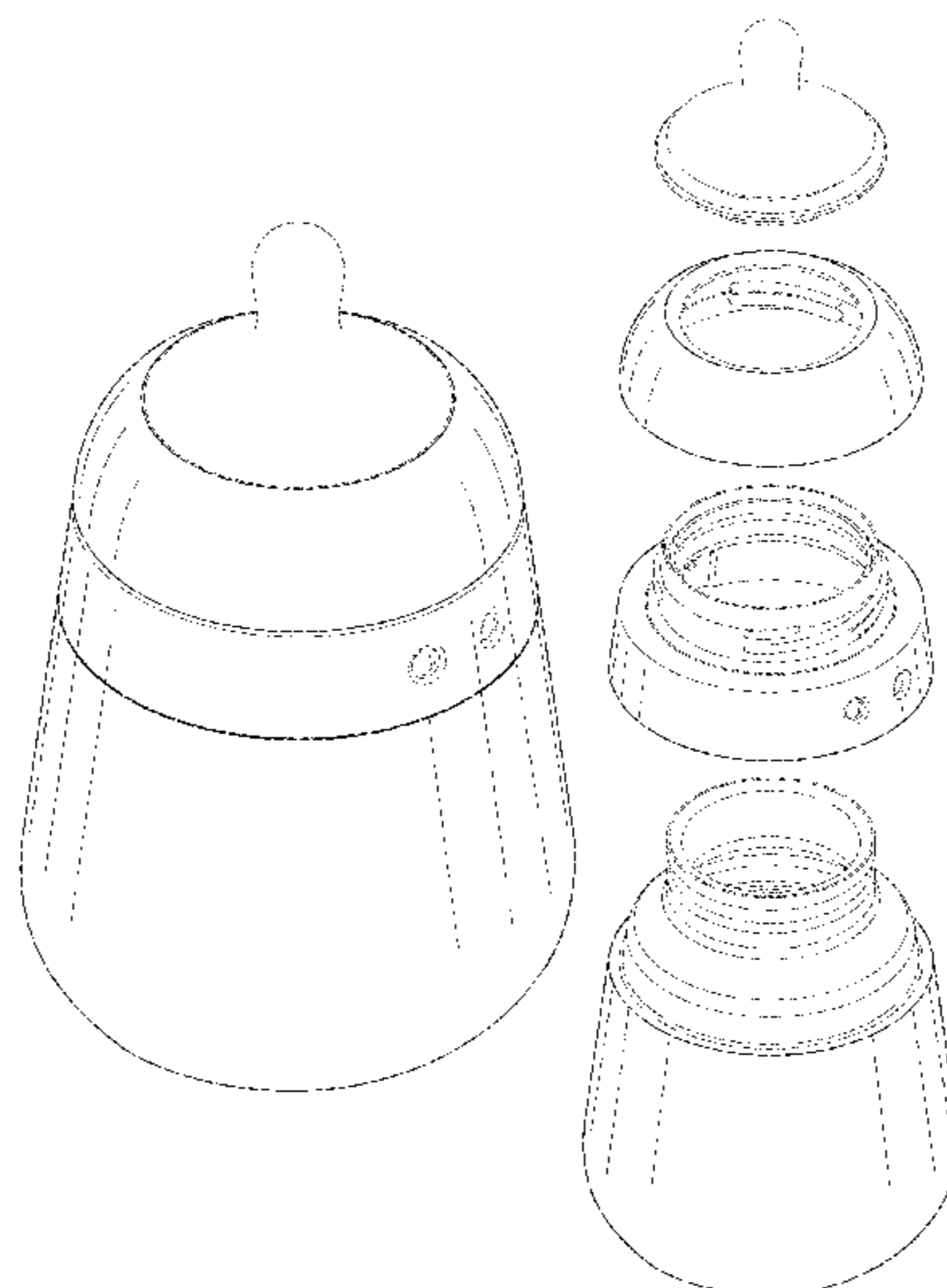
FIG. 5 is a bottom view thereof;

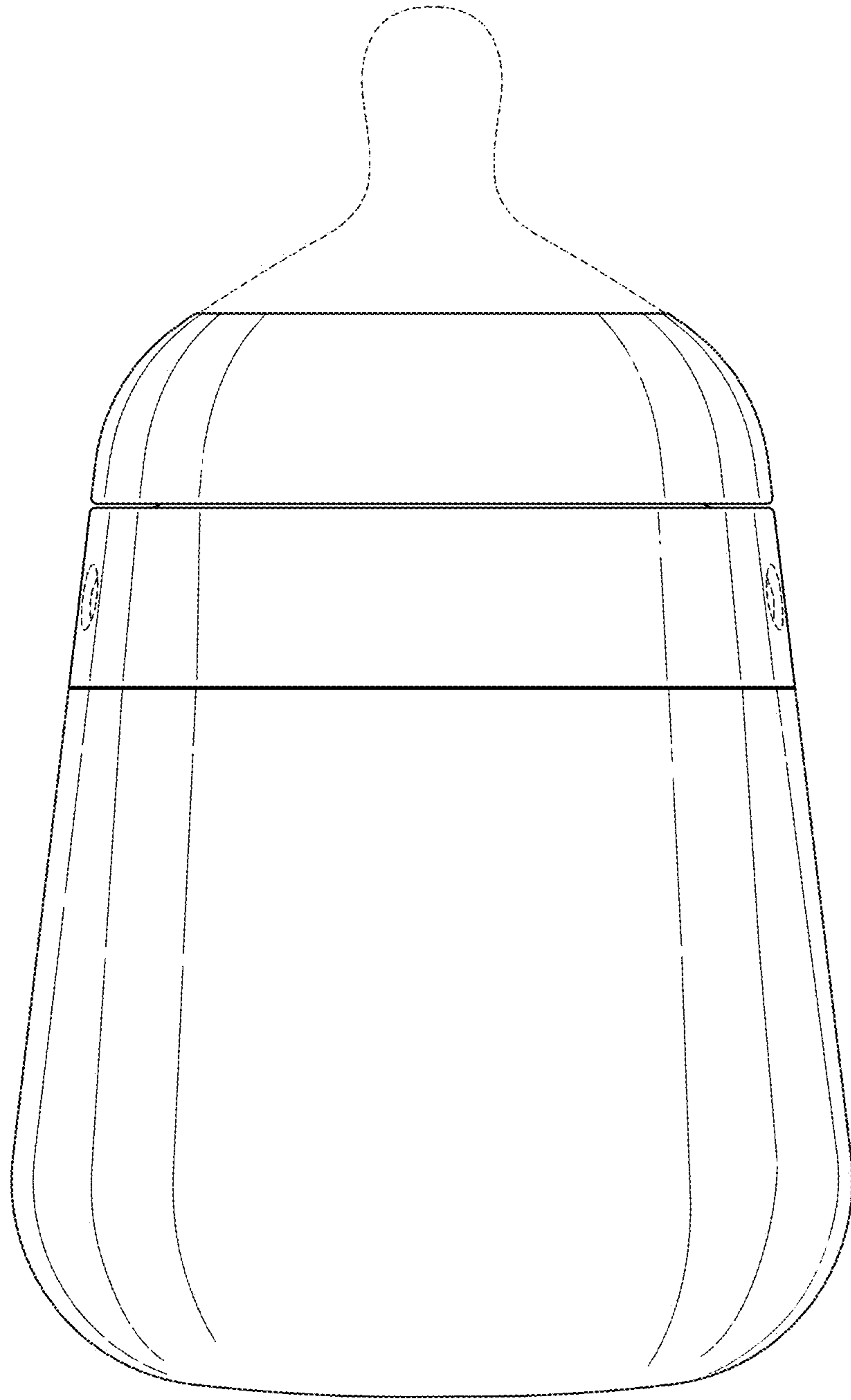
FIG. 6 is top, front, right perspective view thereof; and,

FIG. 7 is top, front, right perspective view of the baby bottle of FIG. 1, shown exploded for clarity of disclosure.

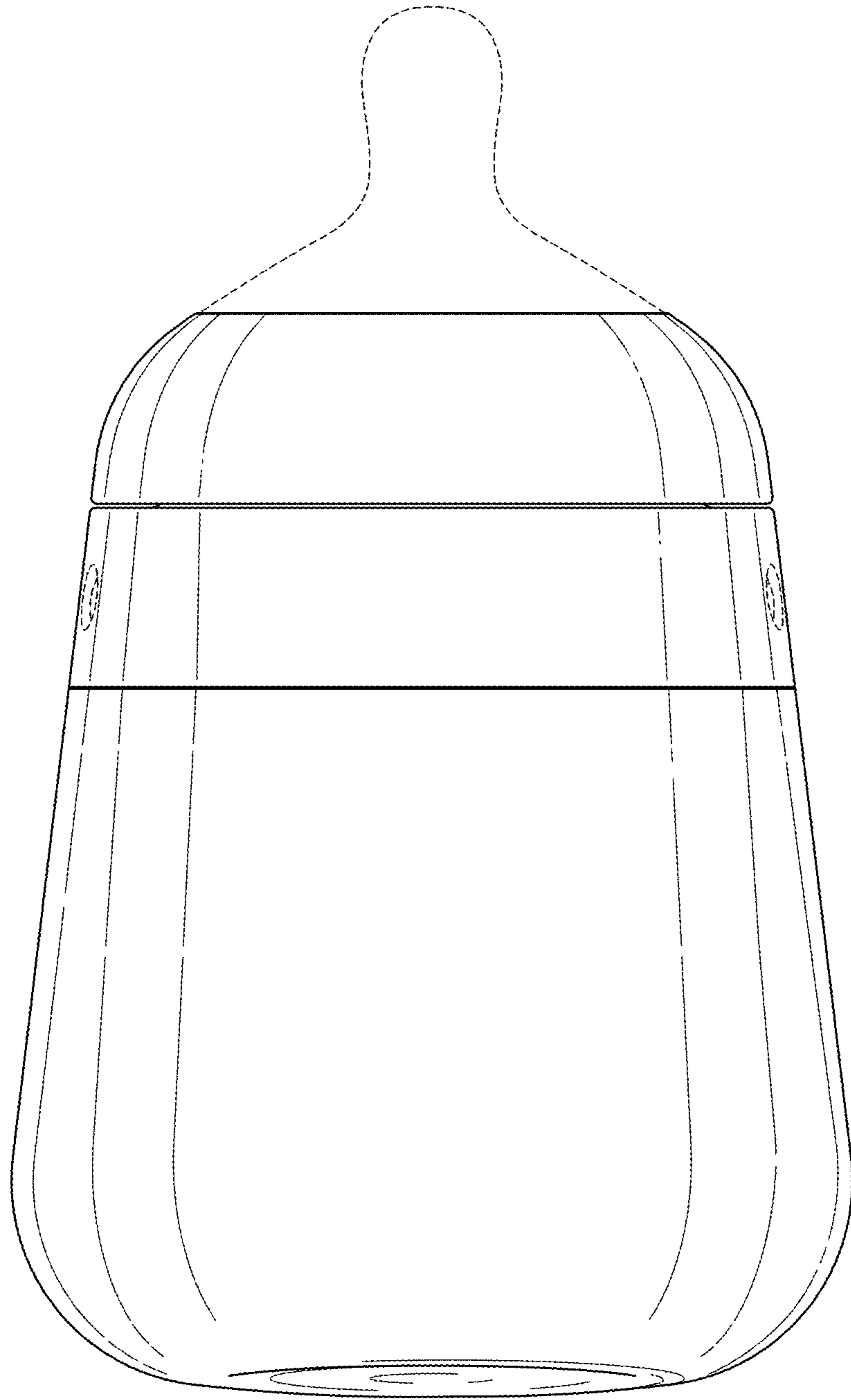
The broken lines depict portions of the baby bottle that form no part of the claimed design.

**1 Claim, 6 Drawing Sheets**

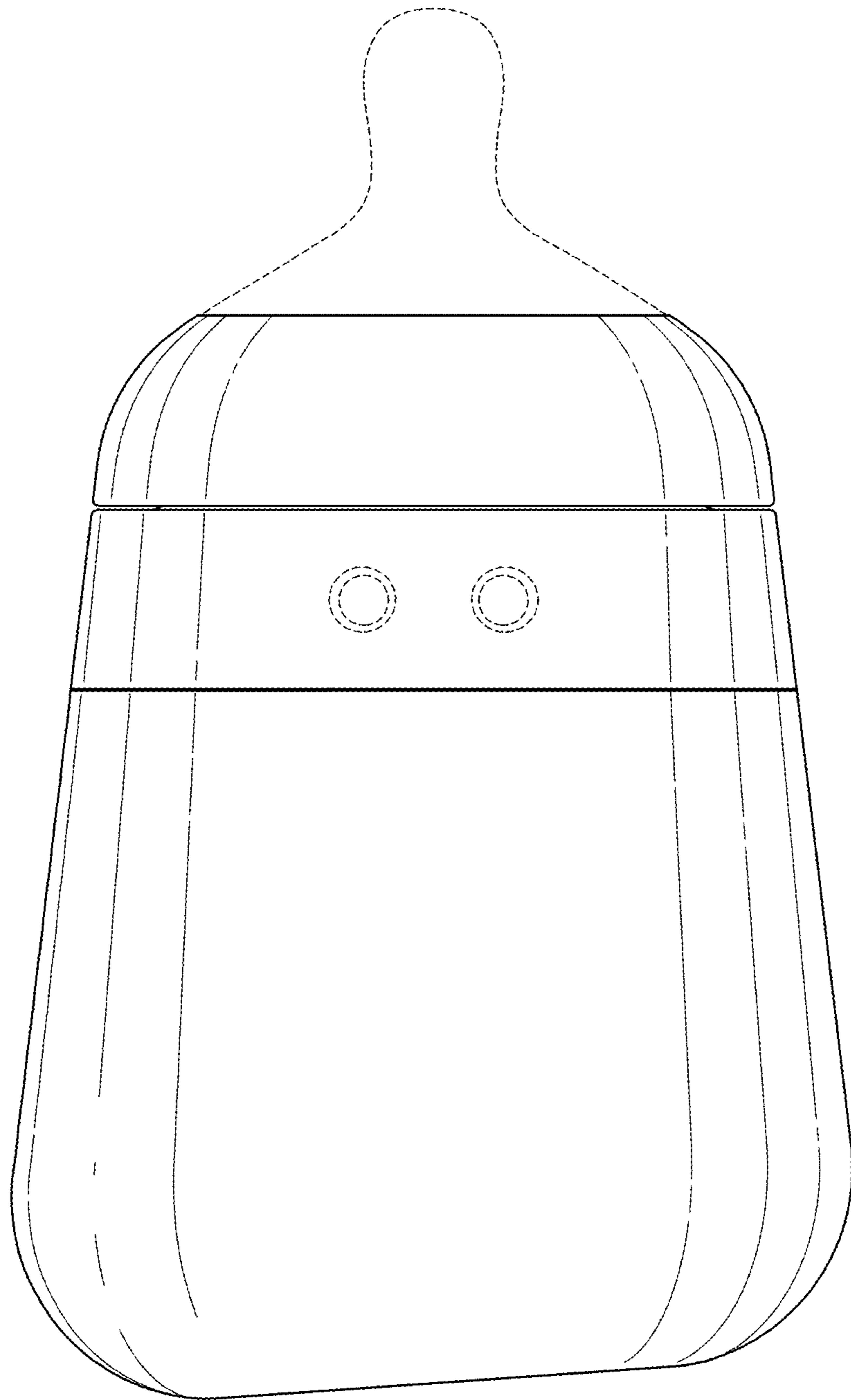




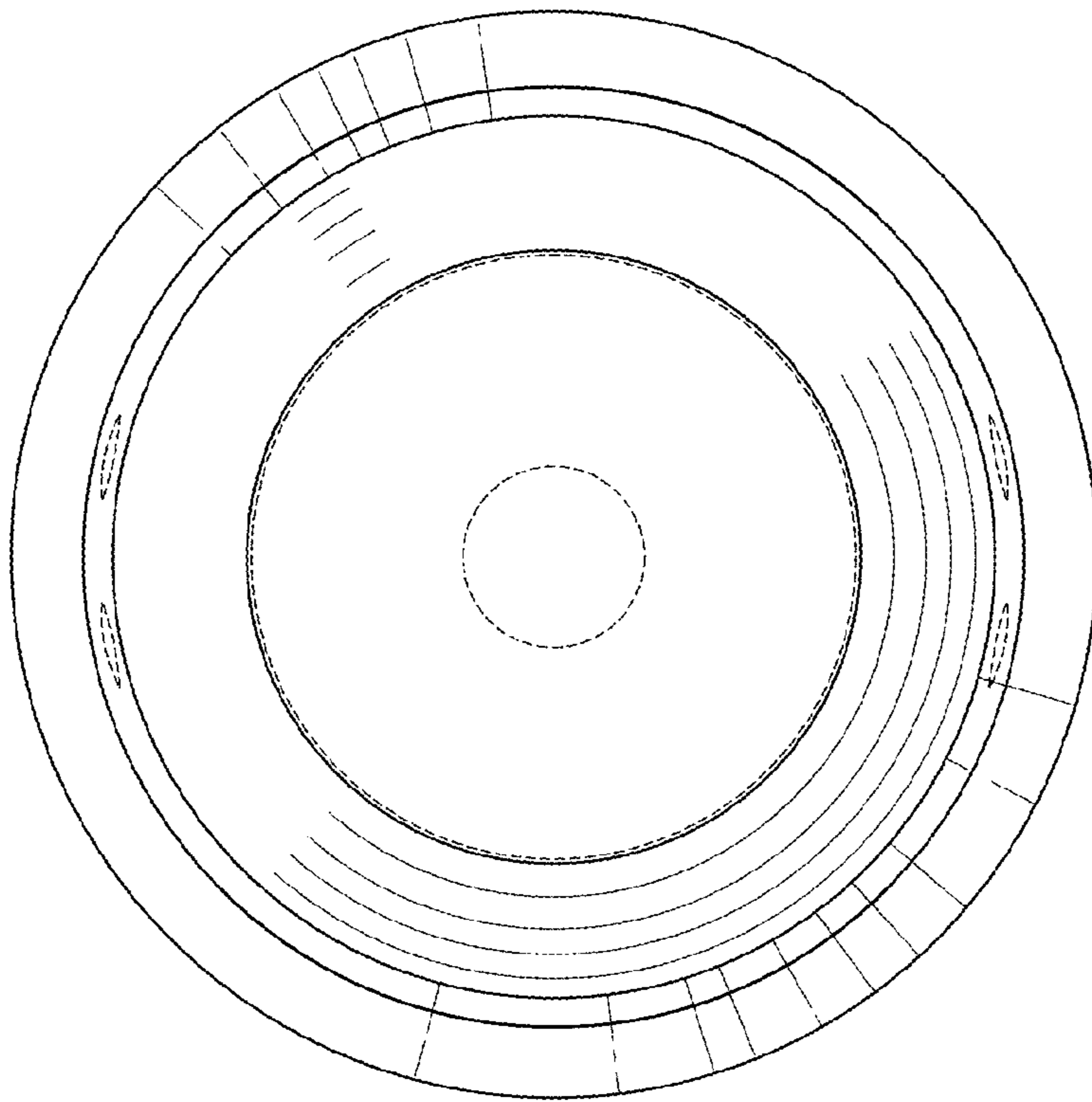
*FIG. 1*



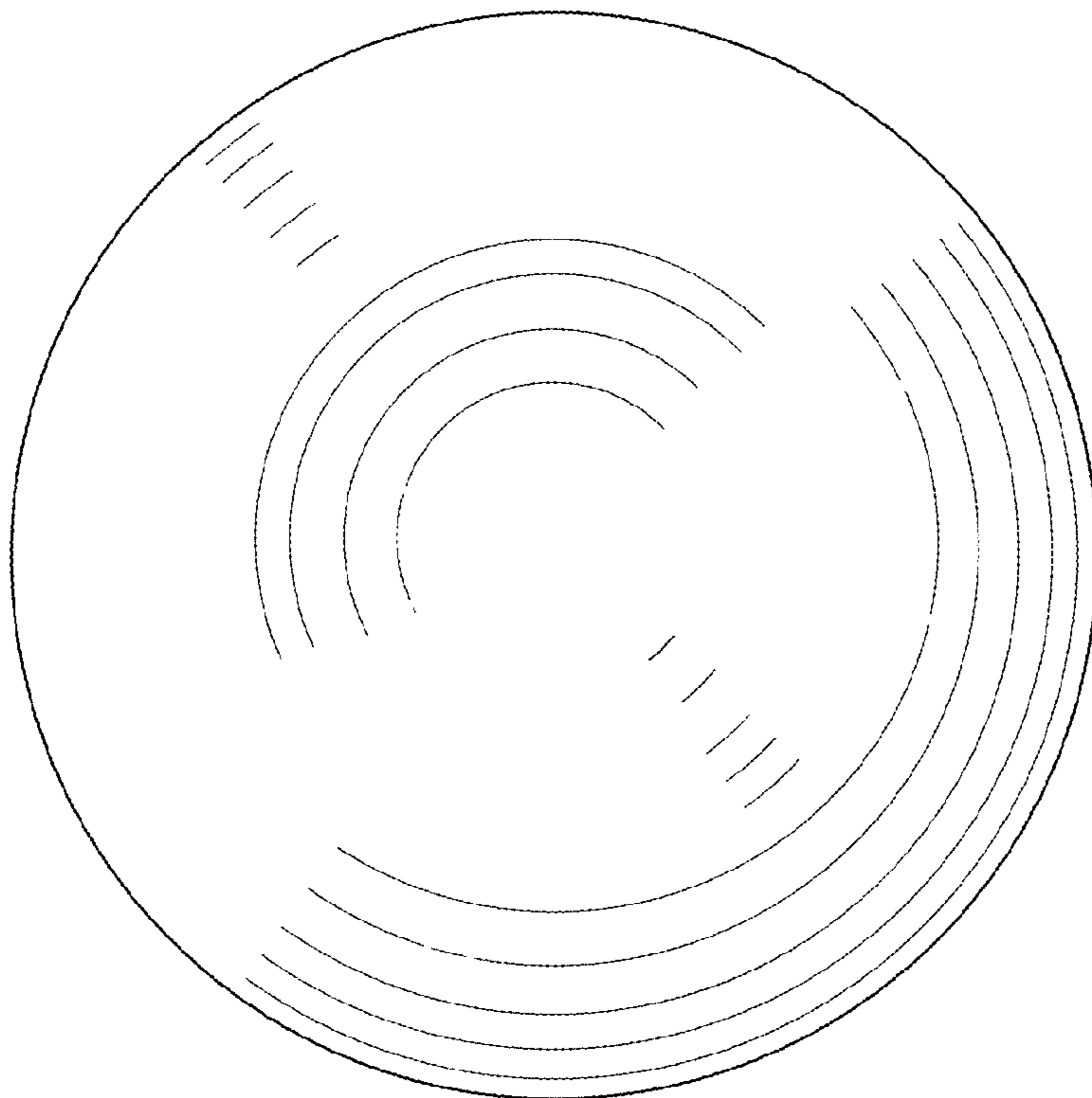
*FIG. 2*



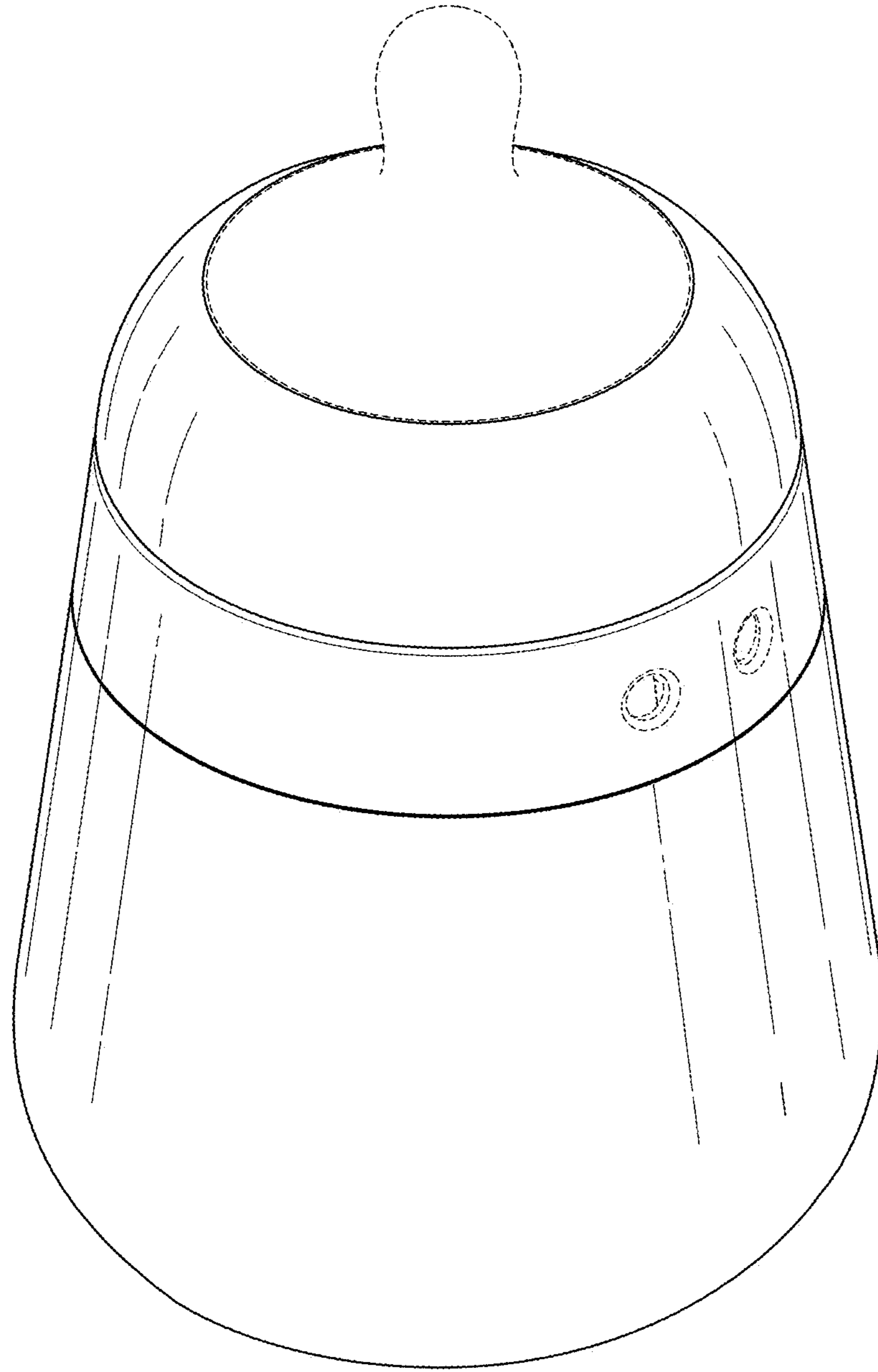
*FIG. 3*



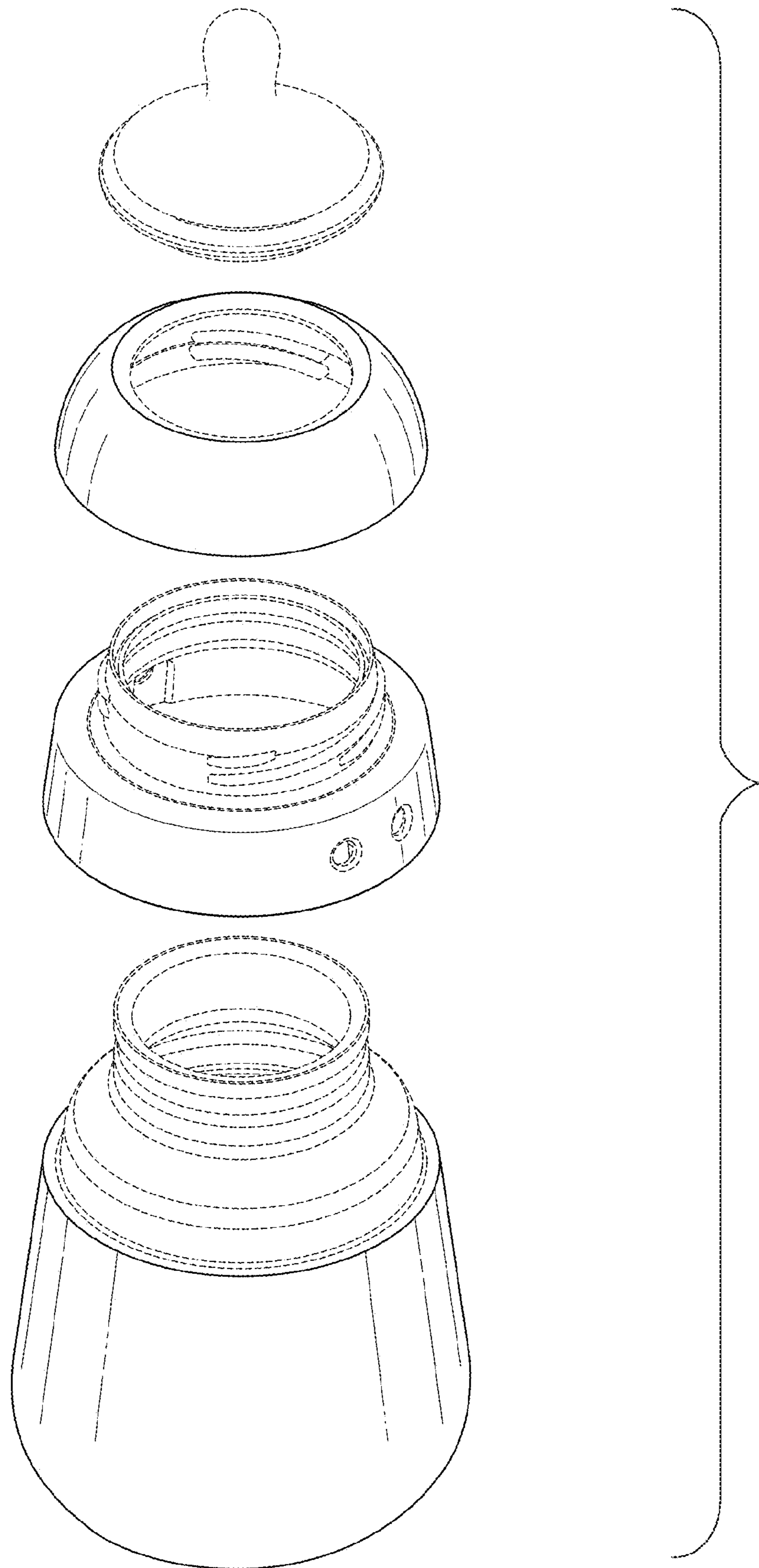
*FIG. 4*



*FIG. 5*



*FIG. 6*



**FIG. 7**