



US00D978356S

(12) **United States Design Patent** (10) **Patent No.:** **US D978,356 S**  
**Achleitner et al.** (45) **Date of Patent:** **\*\* Feb. 14, 2023**

(54) **PATIENT TABLE**  
(71) Applicant: **Siemens Healthcare GmbH**, Erlangen (DE)  
(72) Inventors: **Roman Achleitner**, Nuremberg (DE); **Tobias Hoth**, Pegnitz (DE); **Marco Köhler**, Adelsdorf (DE)

D770,049 S \* 10/2016 Yanagihara ..... D24/159  
D843,583 S \* 3/2019 Roth ..... D24/159  
D861,870 S \* 10/2019 Chang ..... D24/159  
D895,809 S \* 9/2020 Morreale ..... D24/183  
D897,540 S \* 9/2020 Roth ..... D24/183  
D911,528 S \* 2/2021 Sun ..... D24/183  
D912,828 S \* 3/2021 Huang ..... D24/183  
11,206,996 B2 \* 12/2021 Coppens ..... A61G 7/051

(73) Assignee: **Siemens Healthcare GmbH**, Erlangen (DE)

FOREIGN PATENT DOCUMENTS  
CN 201830488525.3 \* 3/2019

(\*\*) Term: **15 Years**

OTHER PUBLICATIONS

(21) Appl. No.: **29/734,219**

From a highly experimental tool to an indispensable diagnostic machine. Online, published date Mar. 19, 2021. Retrieved on Jan. 10, 2022 from URL: <https://twitter.com/SiemensHealth/status/1372910227167846402/photo/2>.\*

(22) Filed: **May 11, 2020**

(30) **Foreign Application Priority Data**

\* cited by examiner

Nov. 12, 2019 (EM) ..... 007221130

(51) **LOC (14) Cl.** ..... **24-02**

*Primary Examiner* — Omeed Agilee

(52) **U.S. Cl.**

(74) *Attorney, Agent, or Firm* — Banner & Witcoff Ltd.

USPC ..... **D24/183**

(58) **Field of Classification Search**

(57) **CLAIM**

USPC ..... D24/107, 158–161, 171, 183–184, 188,  
D24/190–191, 200, 201, 211, 215;  
D6/336–337, 382, 383, 384, 392, 393,  
D6/595–596, 601, 604–605, 718;  
D21/675, 676, 686, 694, 689

The ornamental design for a patient table, as shown and described.

CPC ..... A61M 16/101; A61H 1/00; A61G 13/10;  
A61G 13/1235; A61G 2210/50; A61B  
6/04; A61B 6/0407; A61B 6/0487; A61F  
5/3723; A61F 5/3761

**DESCRIPTION**

See application file for complete search history.

FIG. 1 is a front elevational view of a patient table showing our new design;  
FIG. 2 is a back elevational view thereof;  
FIG. 3 is a top plan view thereof;  
FIG. 4 is a bottom plan view thereof;  
FIG. 5 is a left side elevational view thereof;  
FIG. 6 is a right side elevational view thereof; and,  
FIG. 7 is a perspective view taken generally from the top, front, right-hand side thereof.  
The broken lines in the drawings depict portions of the patient table that form no part of the claimed design.

(56) **References Cited**

U.S. PATENT DOCUMENTS

D553,246 S \* 10/2007 Banryu ..... D24/183  
D736,934 S \* 8/2015 Kim ..... D24/183  
D748,804 S \* 2/2016 Eenboom ..... D24/183

**1 Claim, 7 Drawing Sheets**

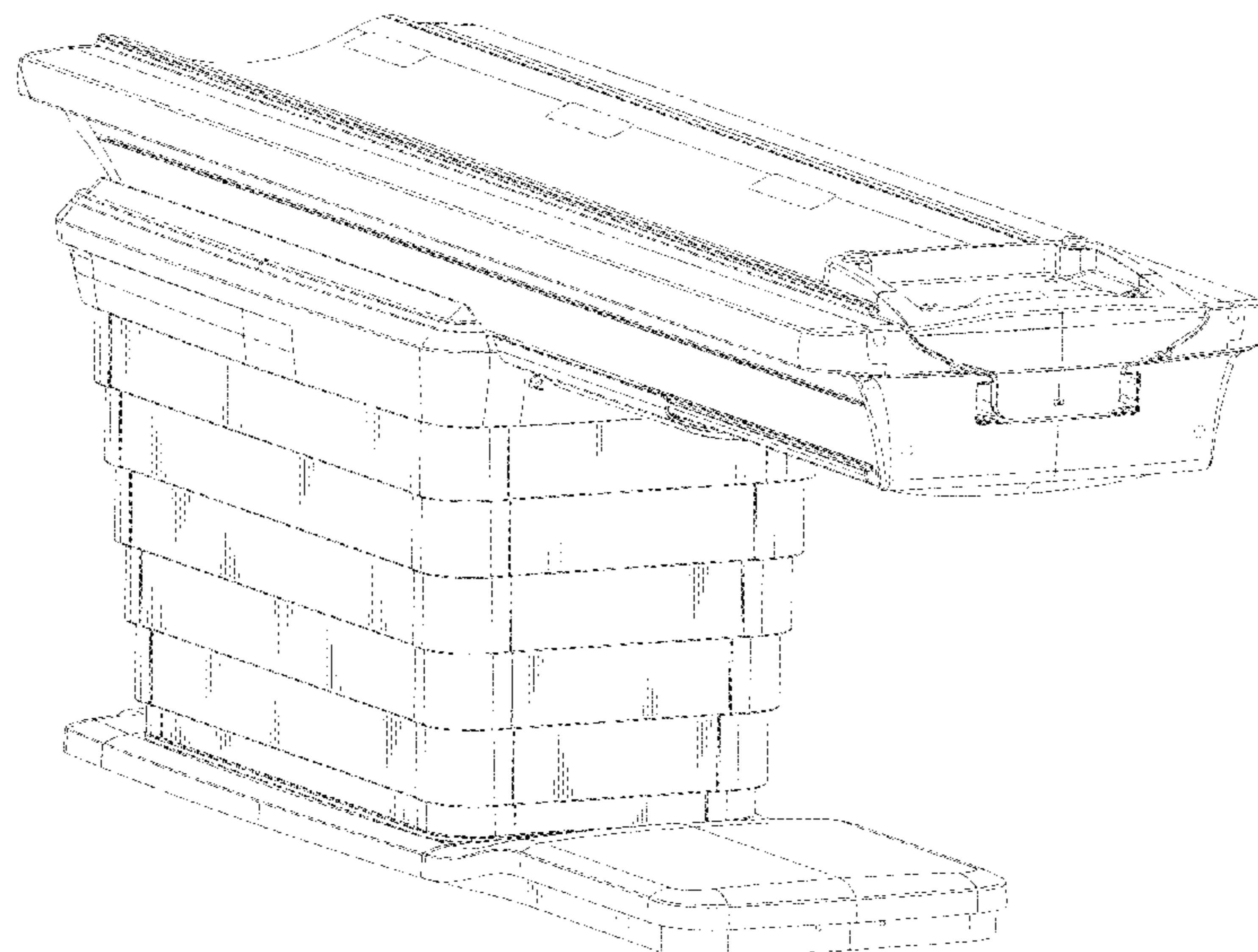


FIG. 1

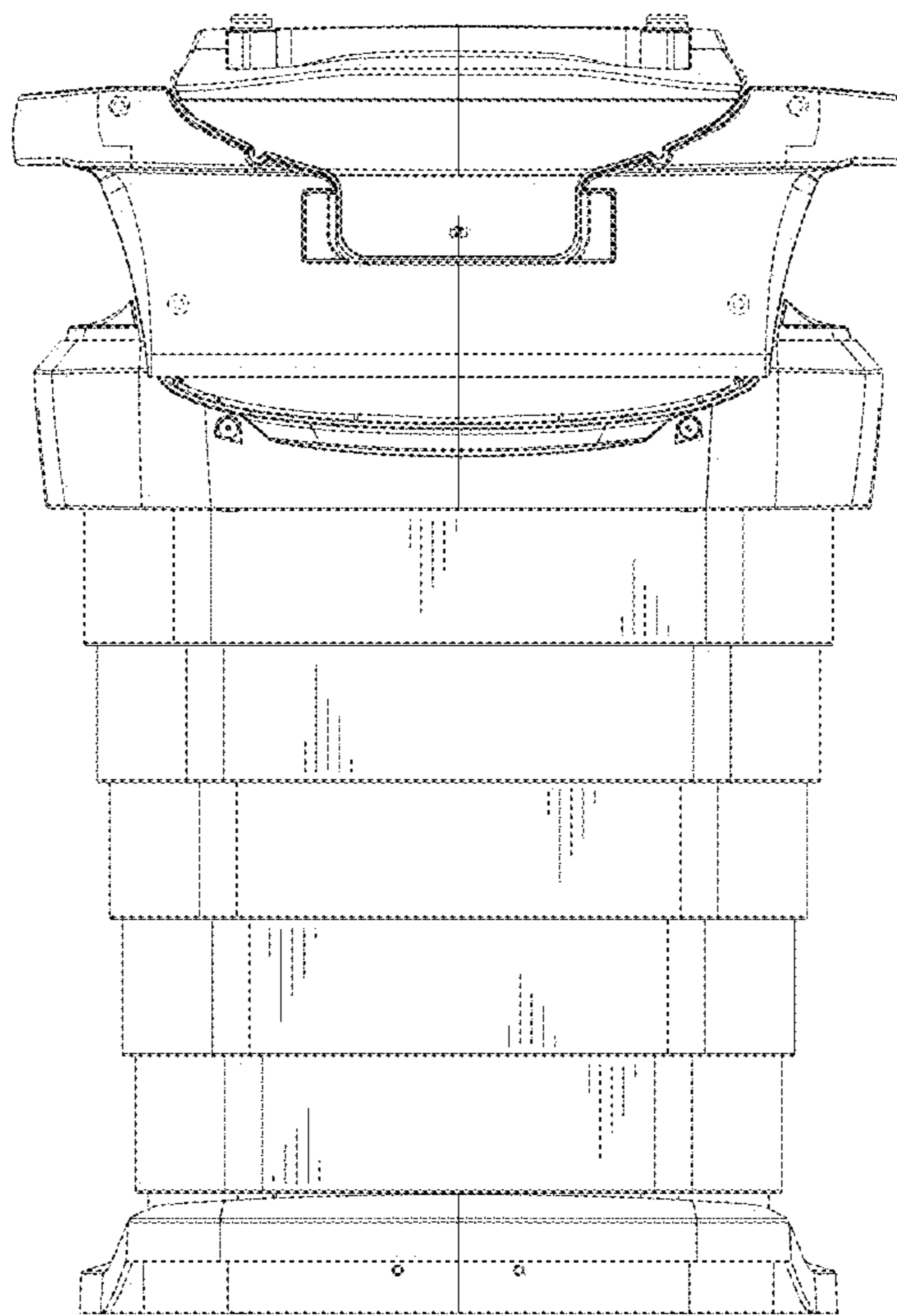


FIG. 2

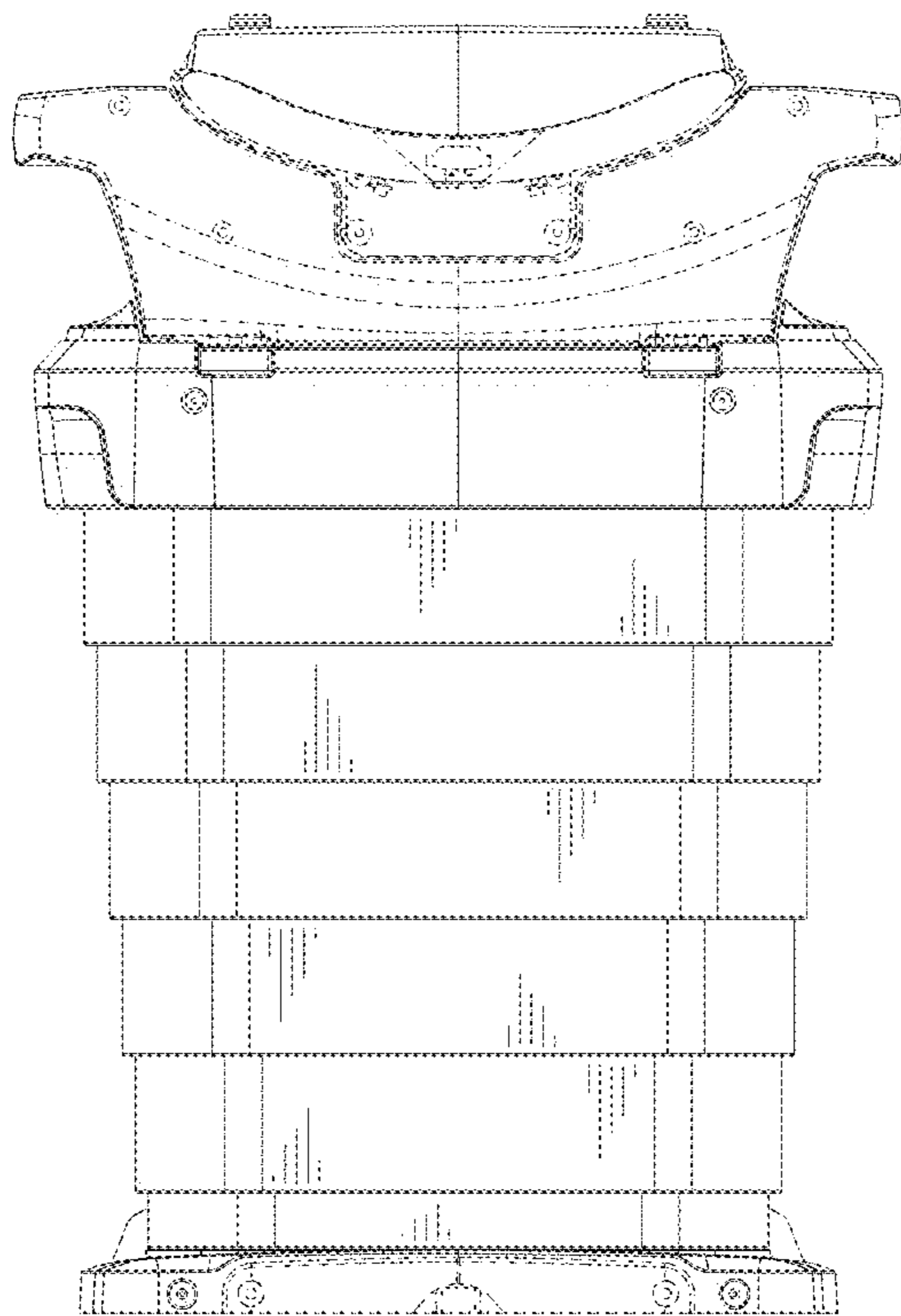


FIG. 3

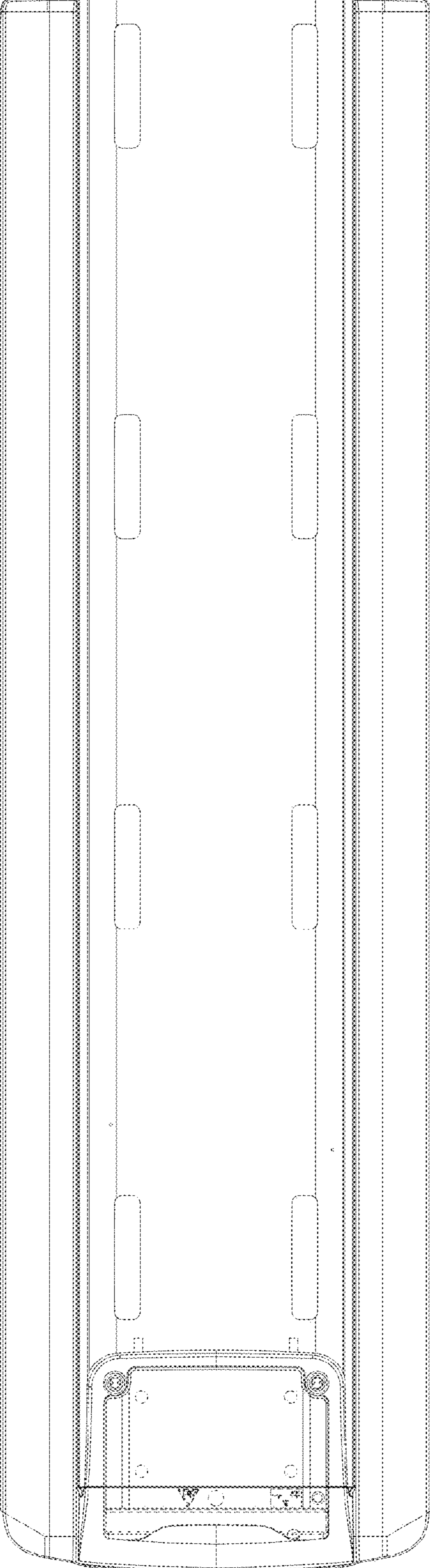




FIG. 4

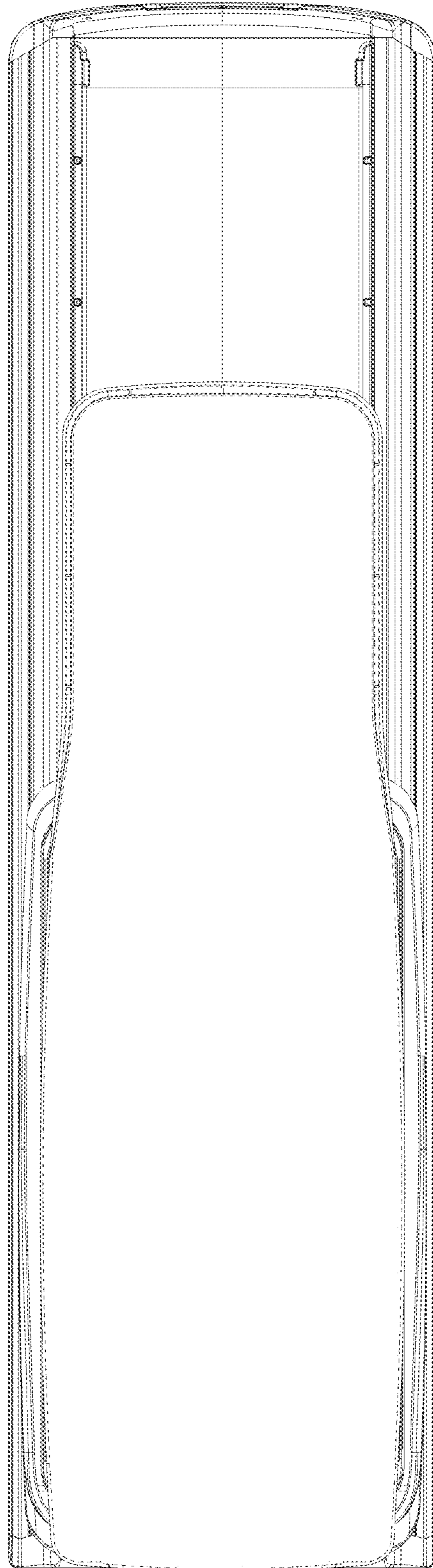


FIG. 5

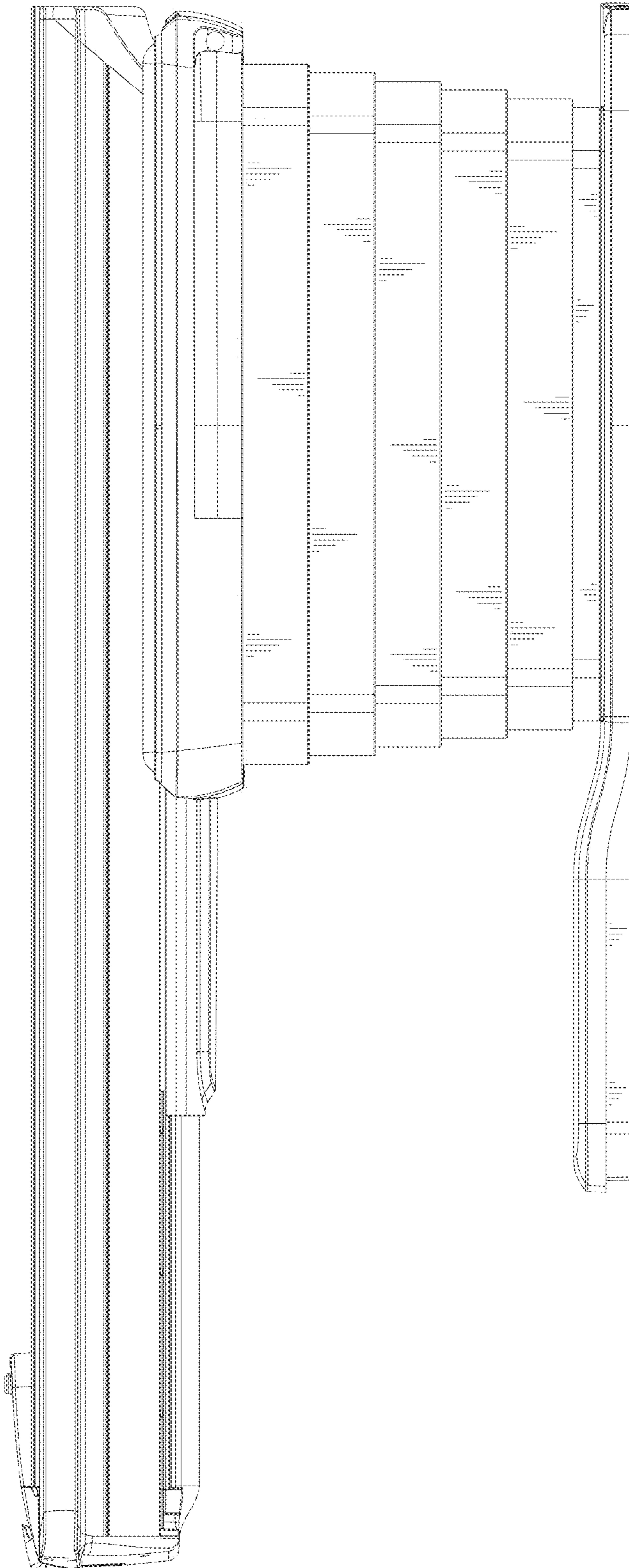


FIG. 6

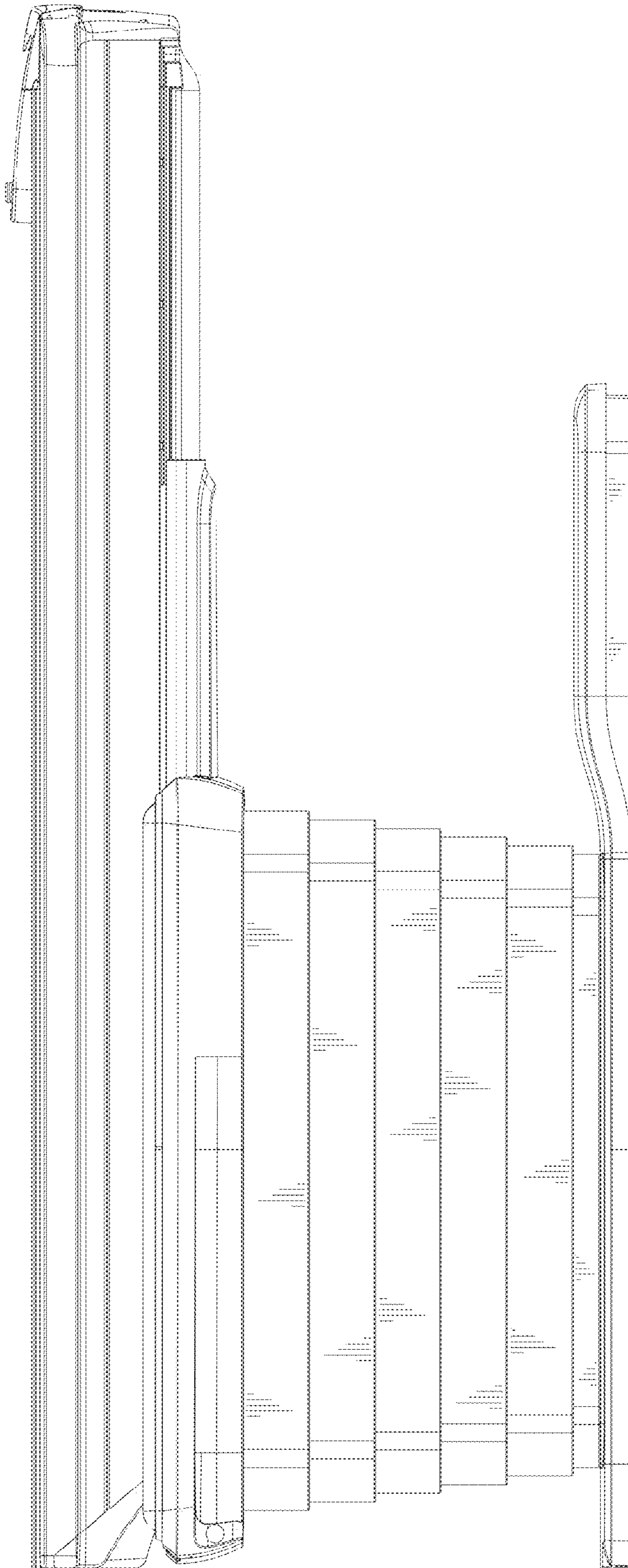




FIG. 7

