



US00D978353S

(12) **United States Design Patent**
Gao et al.

(10) **Patent No.:** **US D978,353 S**

(45) **Date of Patent:** **** Feb. 14, 2023**

(54) **ELECTRONIC SPHYGMOMANOMETER**

(71) Applicant: **Shenzhen AOJ Medical Technology Co., Ltd, Guangdong (CN)**

(72) Inventors: **Yongjie Gao, Shenzhen (CN);
Mingtian Chen, Shenzhen (CN)**

(73) Assignee: **Shenzhen AOJ Medical Technology Co., Ltd.**

(**) Term: **15 Years**

(21) Appl. No.: **29/798,164**

(22) Filed: **Jul. 6, 2021**

(51) **LOC (14) Cl.** **24-02**

(52) **U.S. Cl.**
USPC **D24/165**

(58) **Field of Classification Search**
USPC D24/107, 164–169, 185–187; D10/98;
D14/344
CPC A61B 5/0404; A61B 5/021; A61B 5/024;
A61B 5/02438; A61B 5/681; A61B
5/0402; A61B 2560/0462
See application file for complete search history.

(56) **References Cited**

U.S. PATENT DOCUMENTS

D583,474 S * 12/2008 Mitsunami D24/165
D722,165 S * 2/2015 Pukall D24/165
D739,938 S * 9/2015 Schempp D24/165
D743,035 S * 11/2015 Uozumi D24/165
D802,768 S * 11/2017 Rider D24/165
D850,622 S * 6/2019 Noguchi D24/165
D862,702 S * 10/2019 Nishiyama D24/165

D922,581 S * 6/2021 Wang D24/165
D942,628 S * 2/2022 Dai D24/165
2015/0190064 A1* 7/2015 Kinoshita A61B 5/024
600/490

FOREIGN PATENT DOCUMENTS

CN 201630389385 * 11/2016

* cited by examiner

Primary Examiner — Anhdao Doan

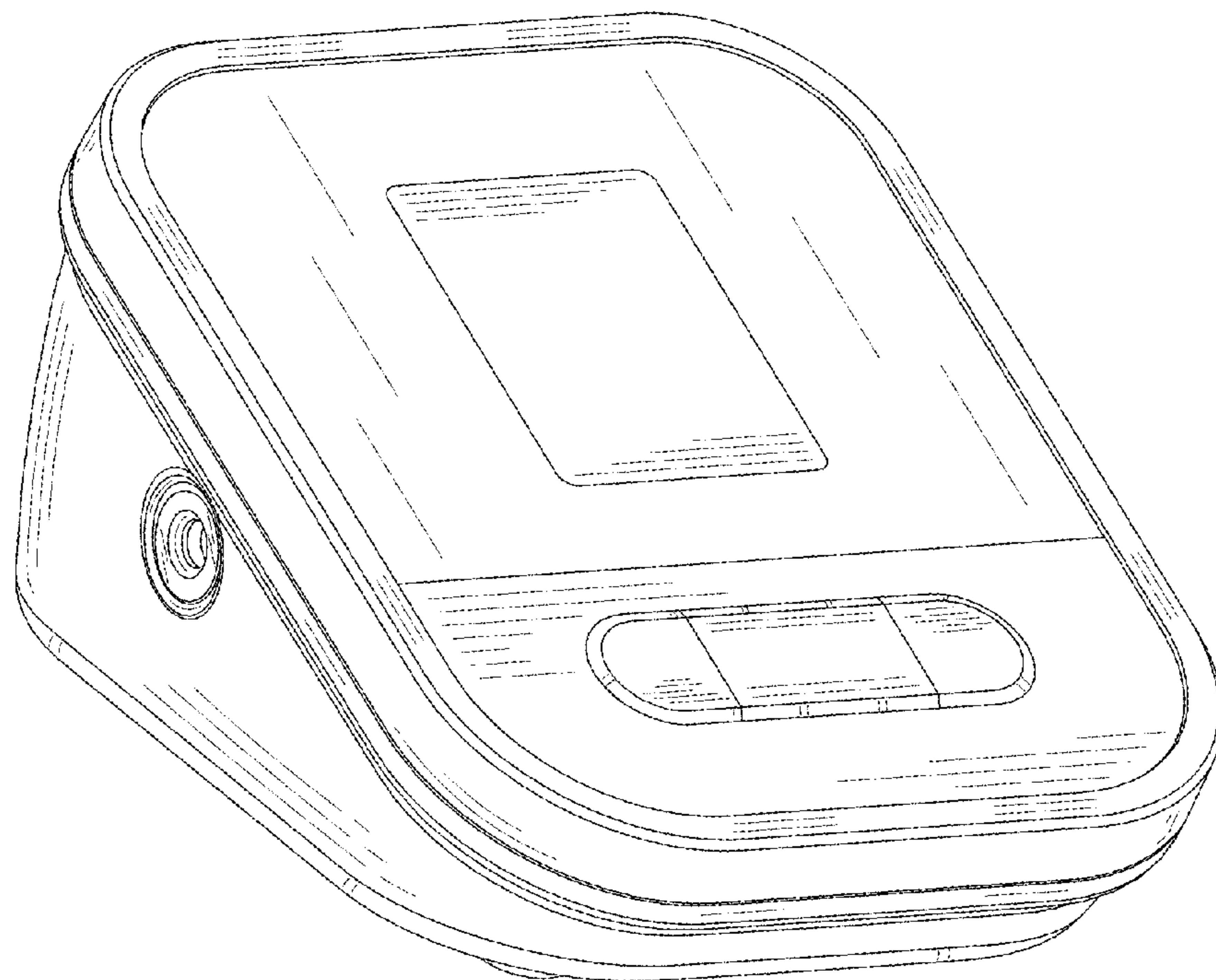
(57) **CLAIM**

The ornamental design for an electronic sphygmomanometer, as shown and described.

DESCRIPTION

FIG. 1 is a top view of the electronic sphygmomanometer showing our new design;
FIG. 2 is a bottom view thereof;
FIG. 3 is a left side view thereof;
FIG. 4 is a right side view thereof;
FIG. 5 is a front view thereof;
FIG. 6 is a back view thereof;
FIG. 7 is a top perspective view thereof;
FIG. 8 is a bottom perspective view thereof;
FIG. 9 is a top view of another embodiment of the electronic sphygmomanometer showing our new design;
FIG. 10 is a bottom view thereof;
FIG. 11 is a left side view thereof;
FIG. 12 is a right side view thereof;
FIG. 13 is a front view thereof;
FIG. 14 is a back view thereof;
FIG. 15 is a top perspective view thereof; and,
FIG. 16 is a bottom perspective view thereof.

1 Claim, 16 Drawing Sheets



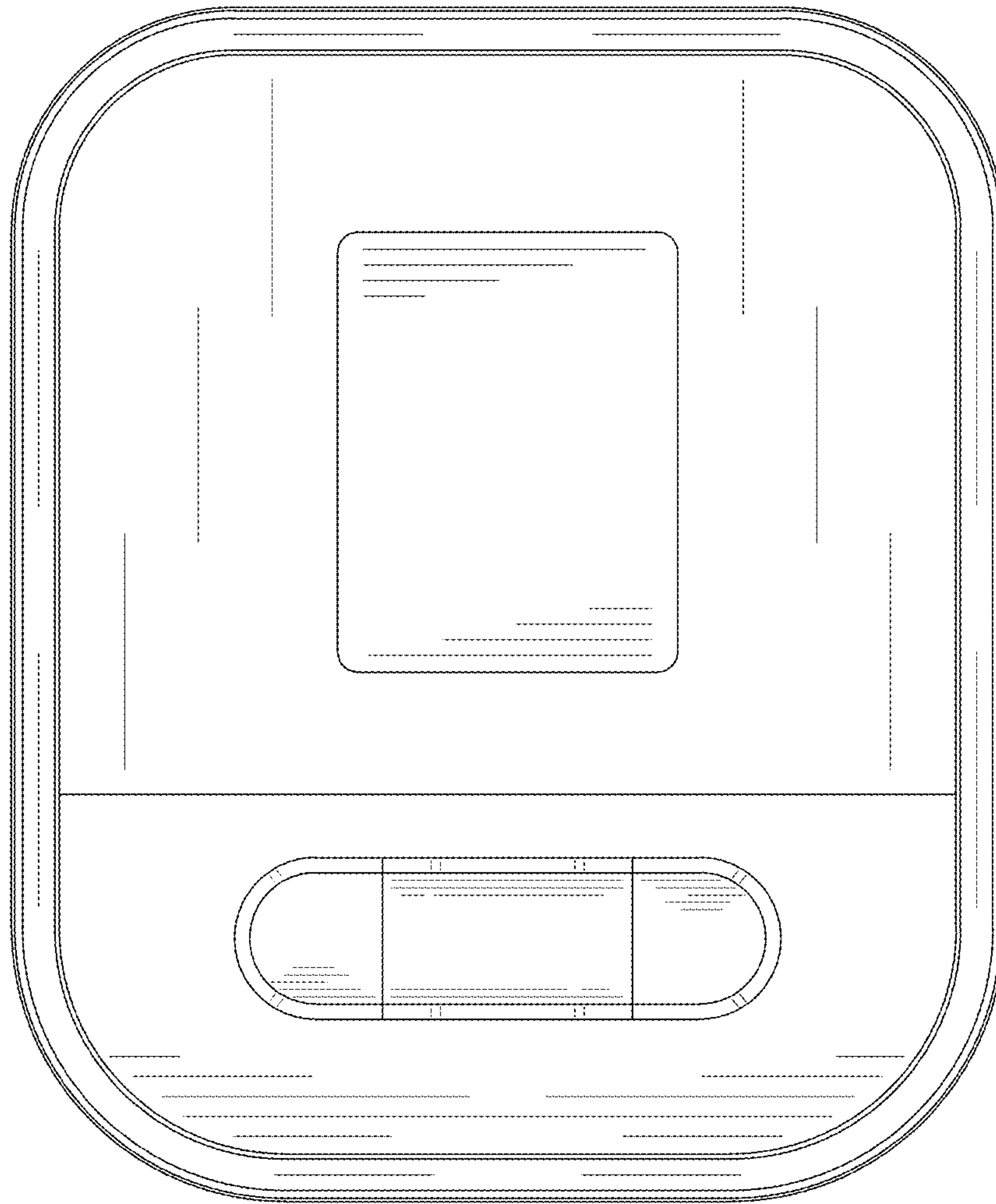


FIG. 1

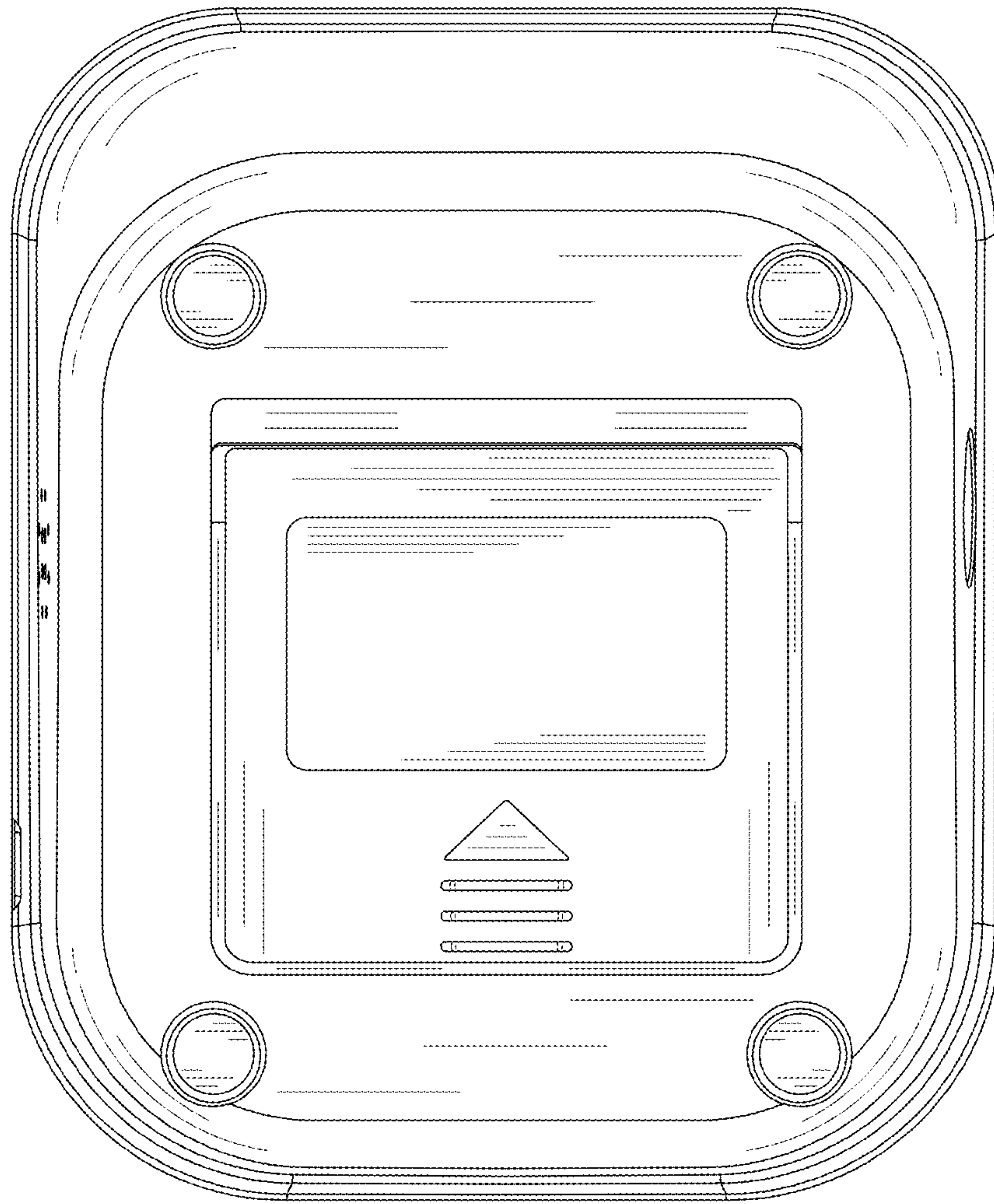


FIG. 2

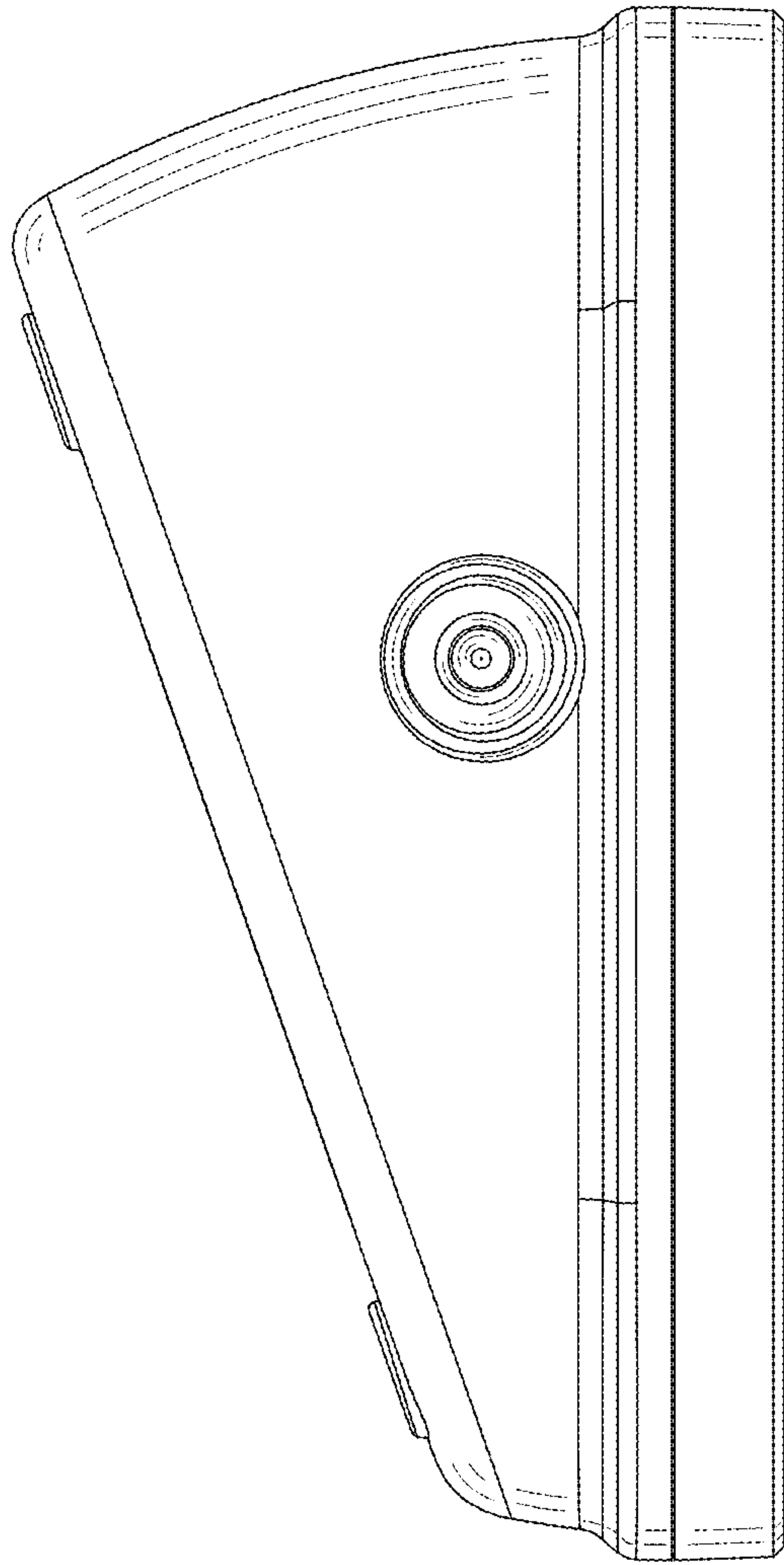


FIG. 3

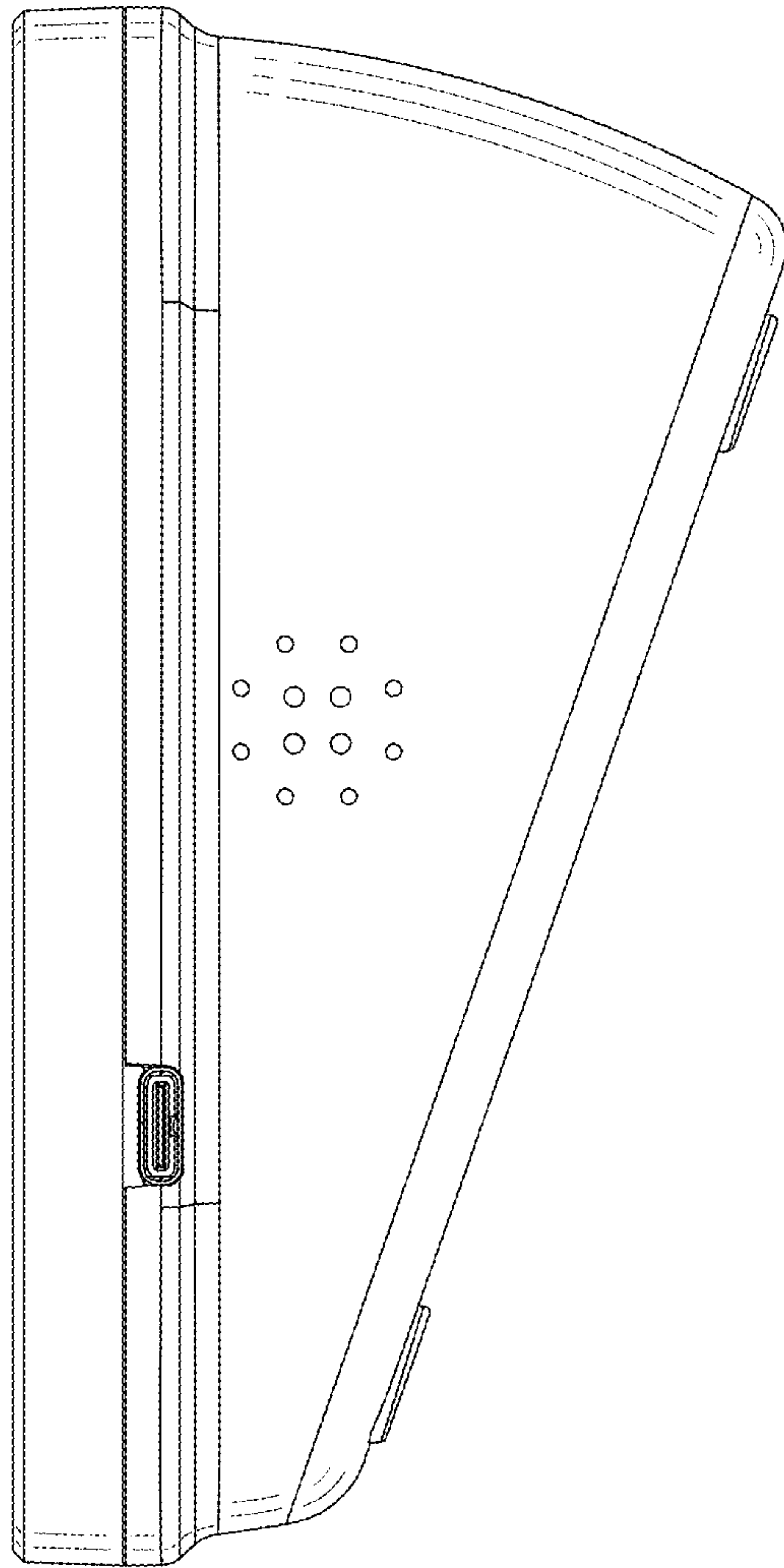


FIG. 4

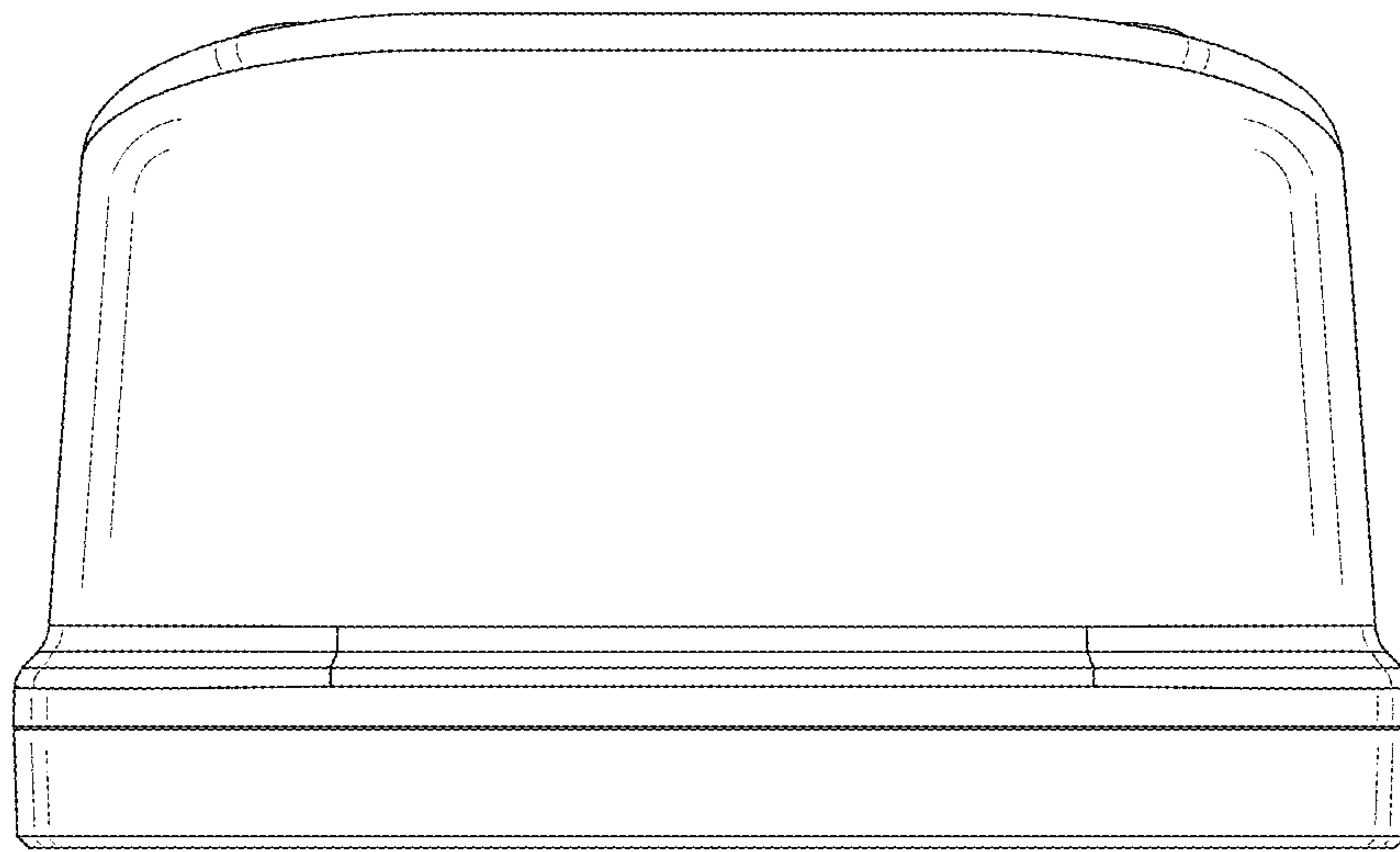


FIG. 5

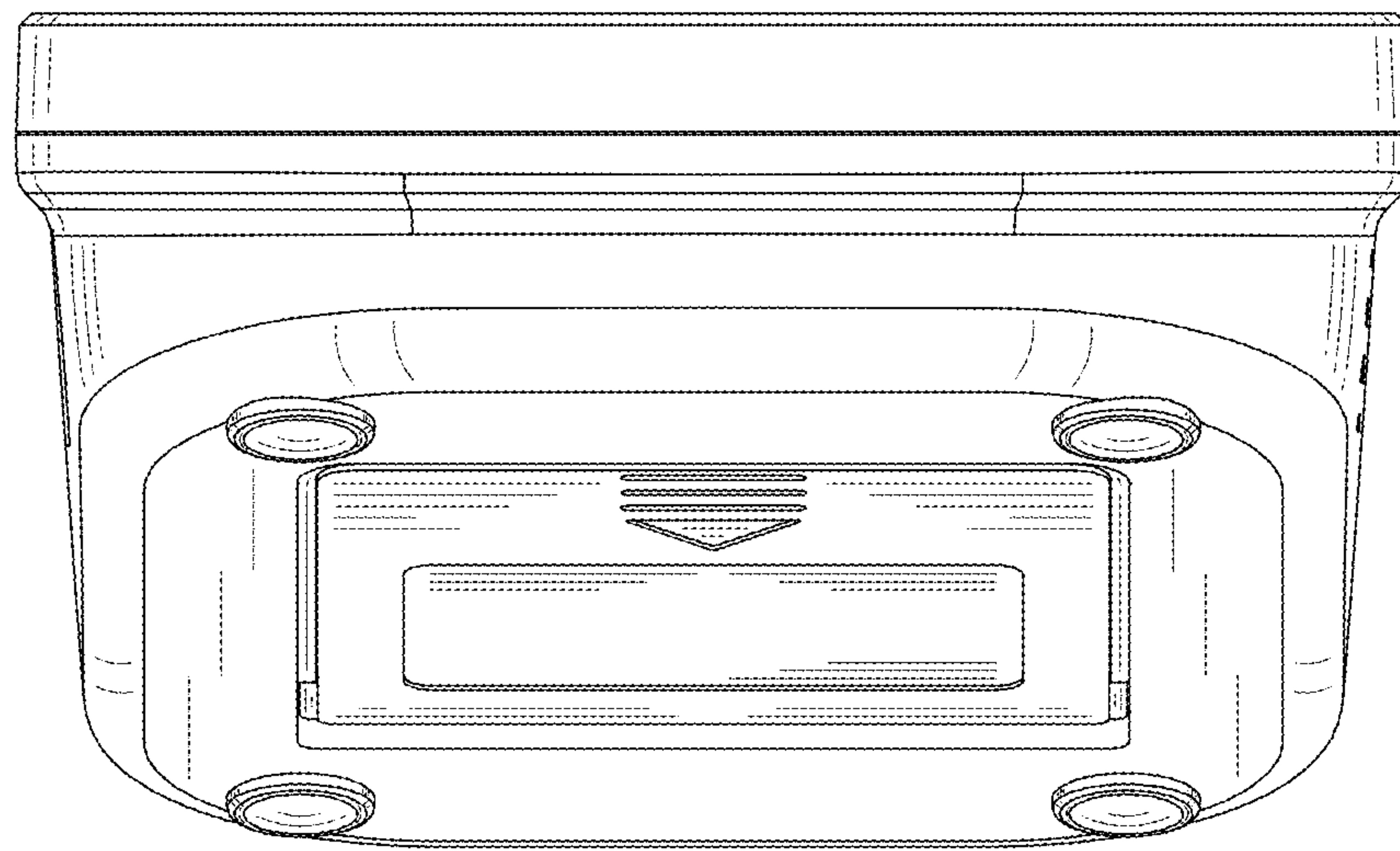


FIG. 6

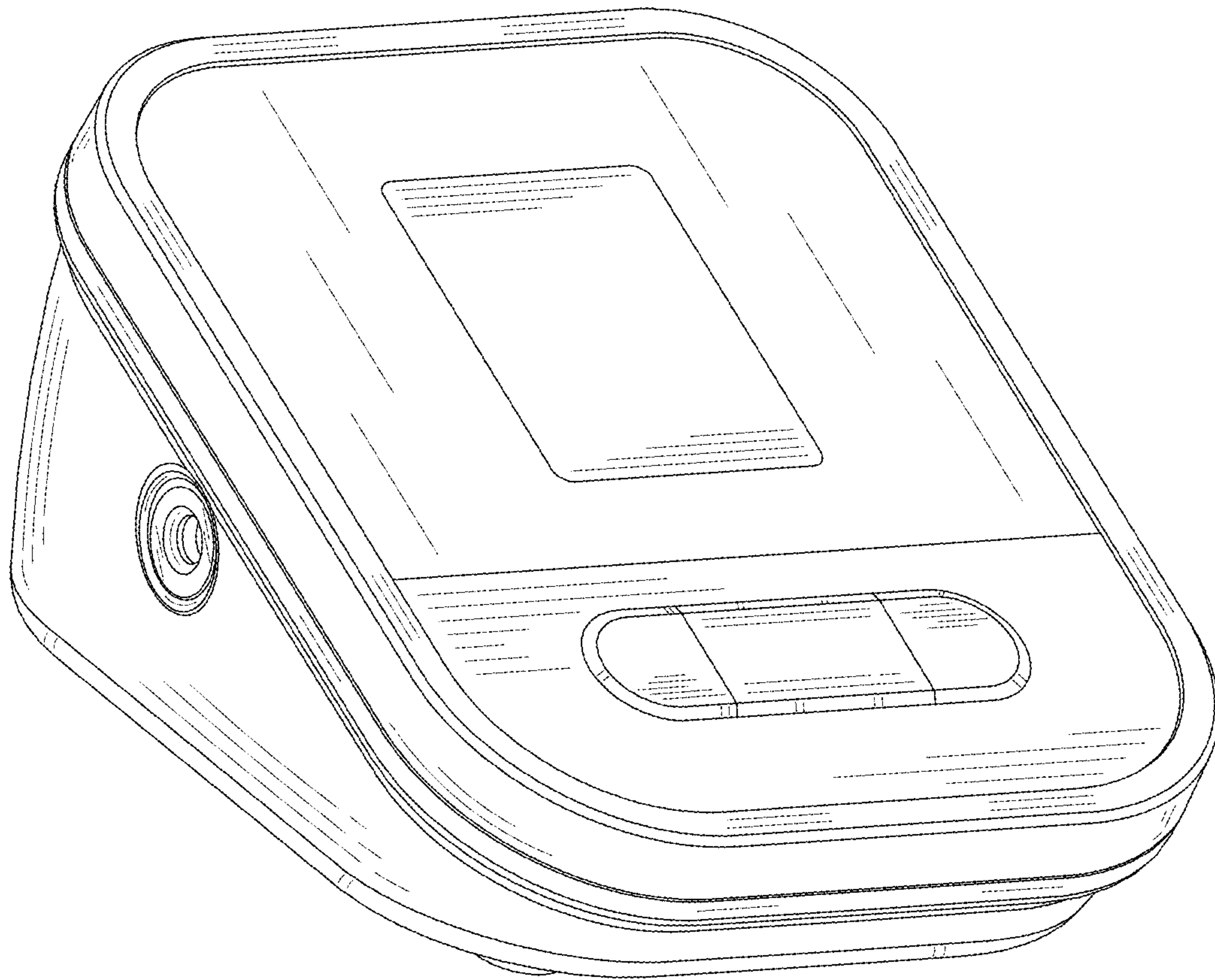


FIG. 7

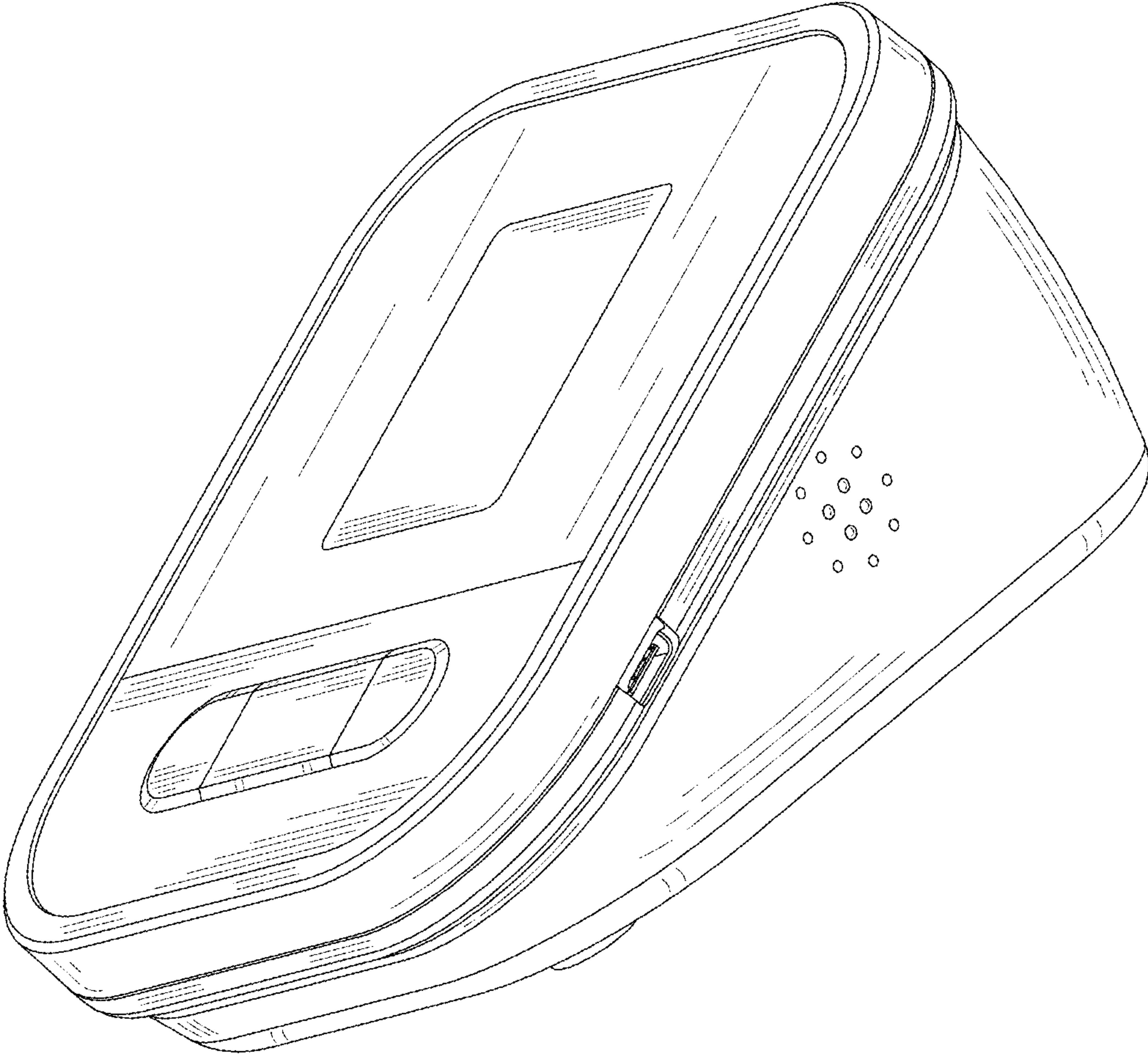


FIG. 8

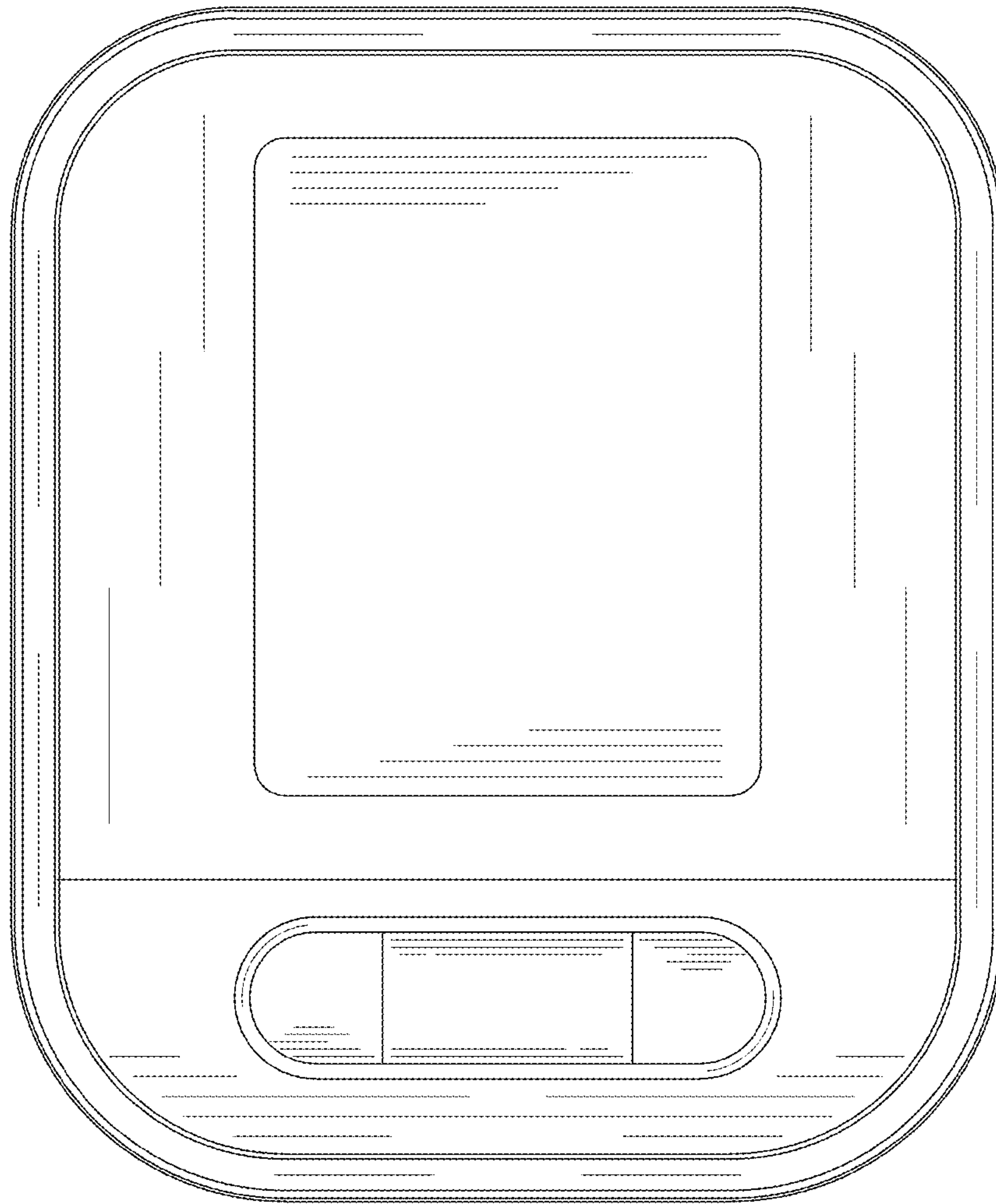


FIG. 9

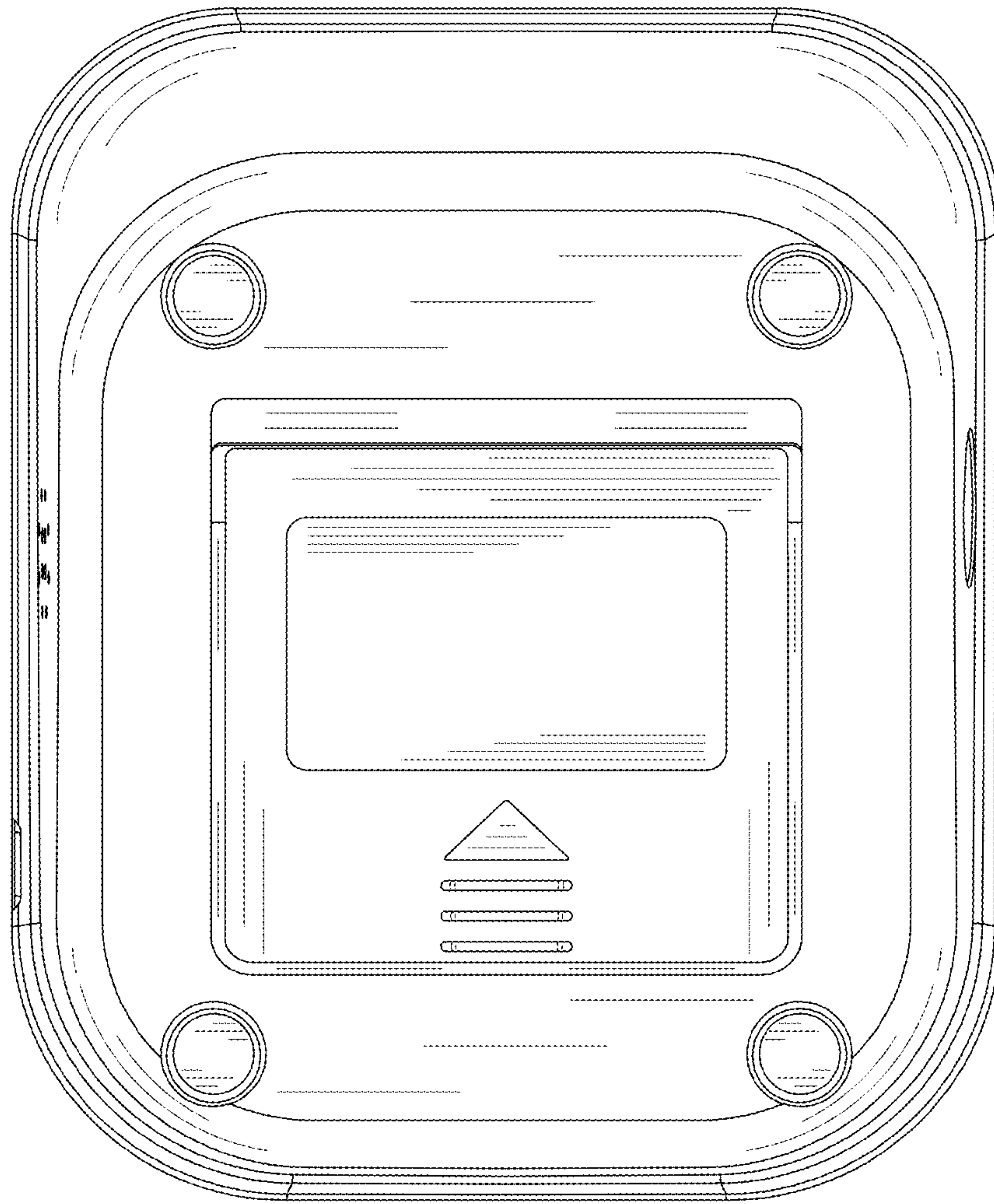


FIG. 10

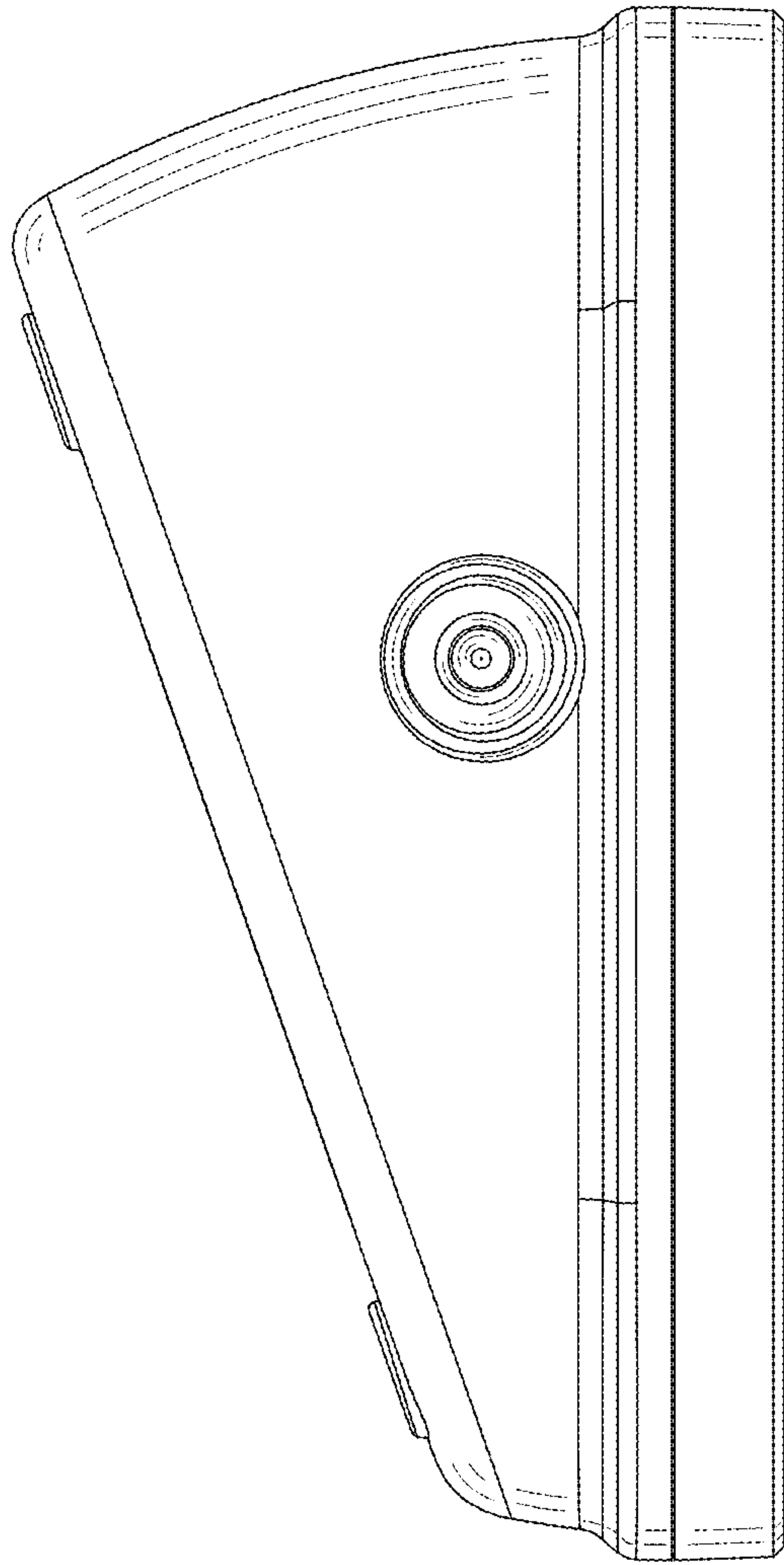


FIG. 11

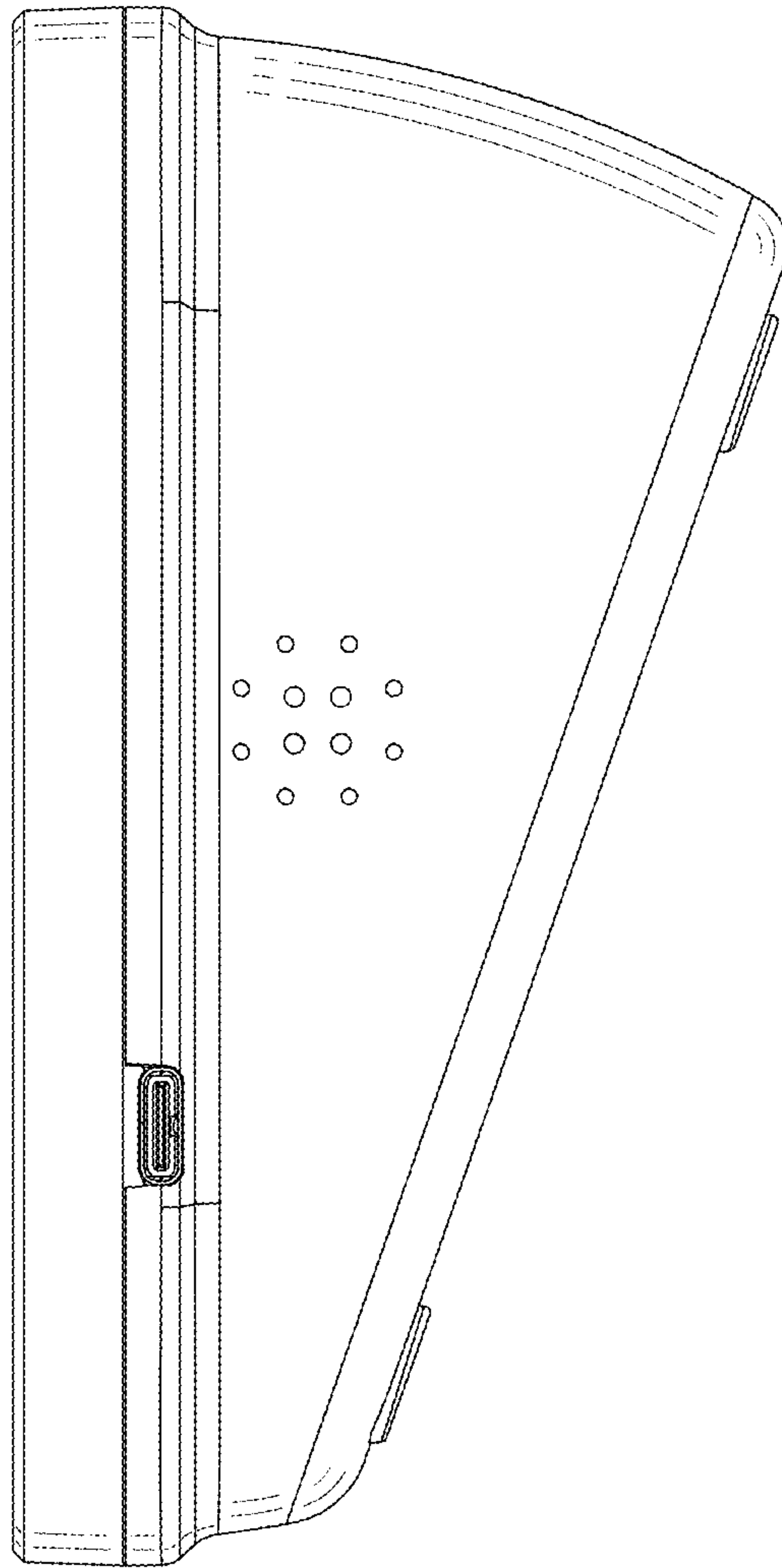


FIG. 12

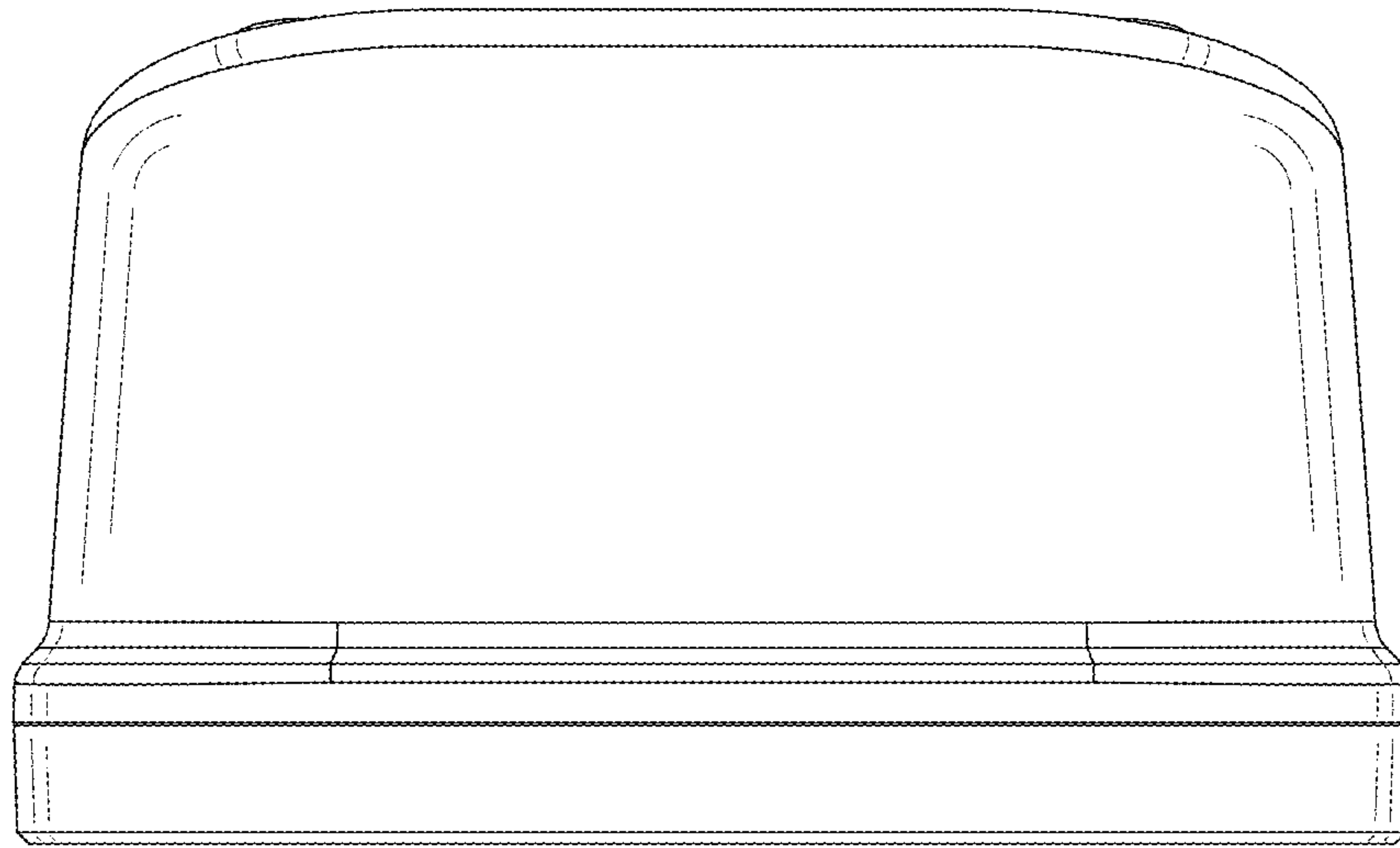


FIG. 13

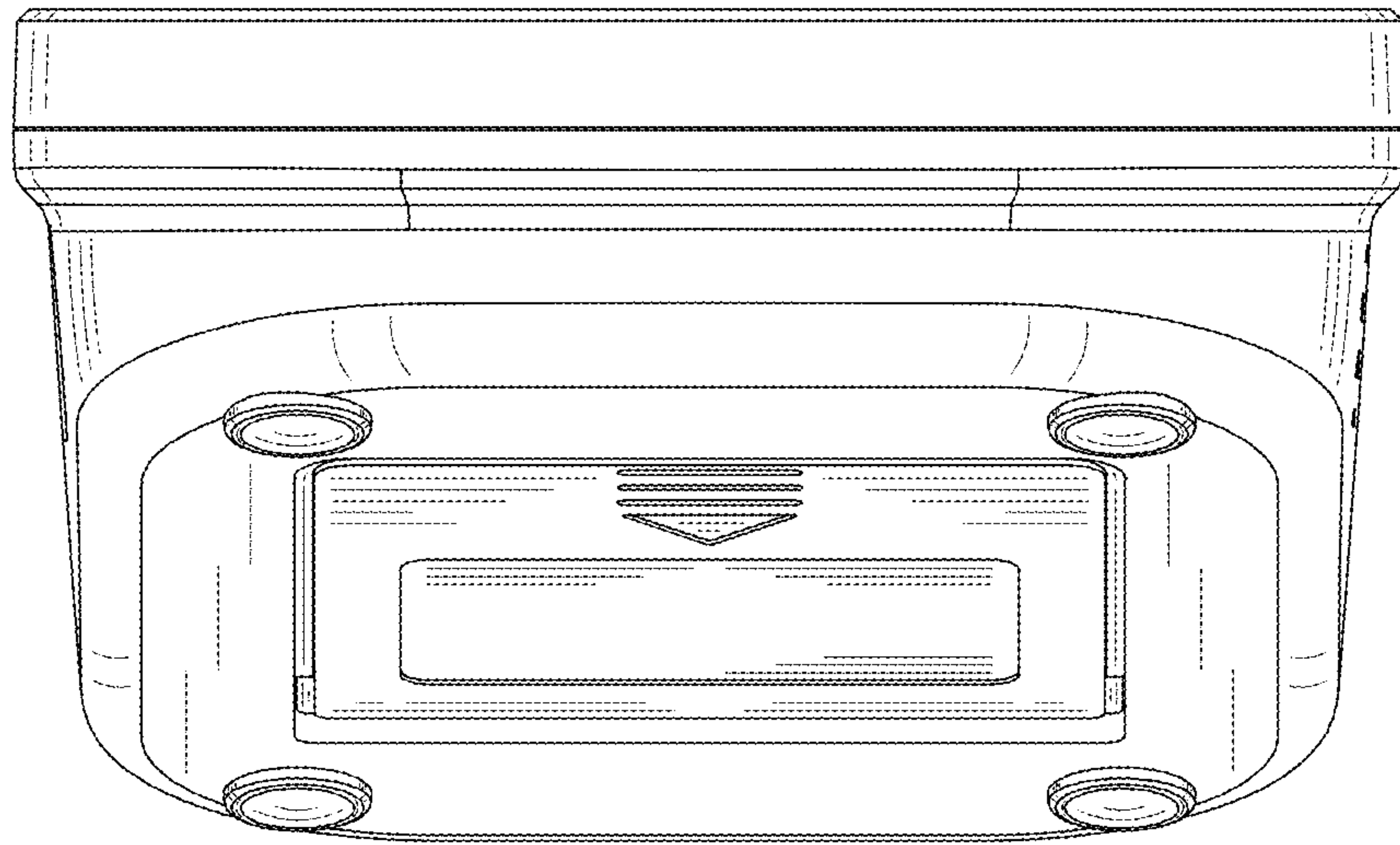


FIG. 14

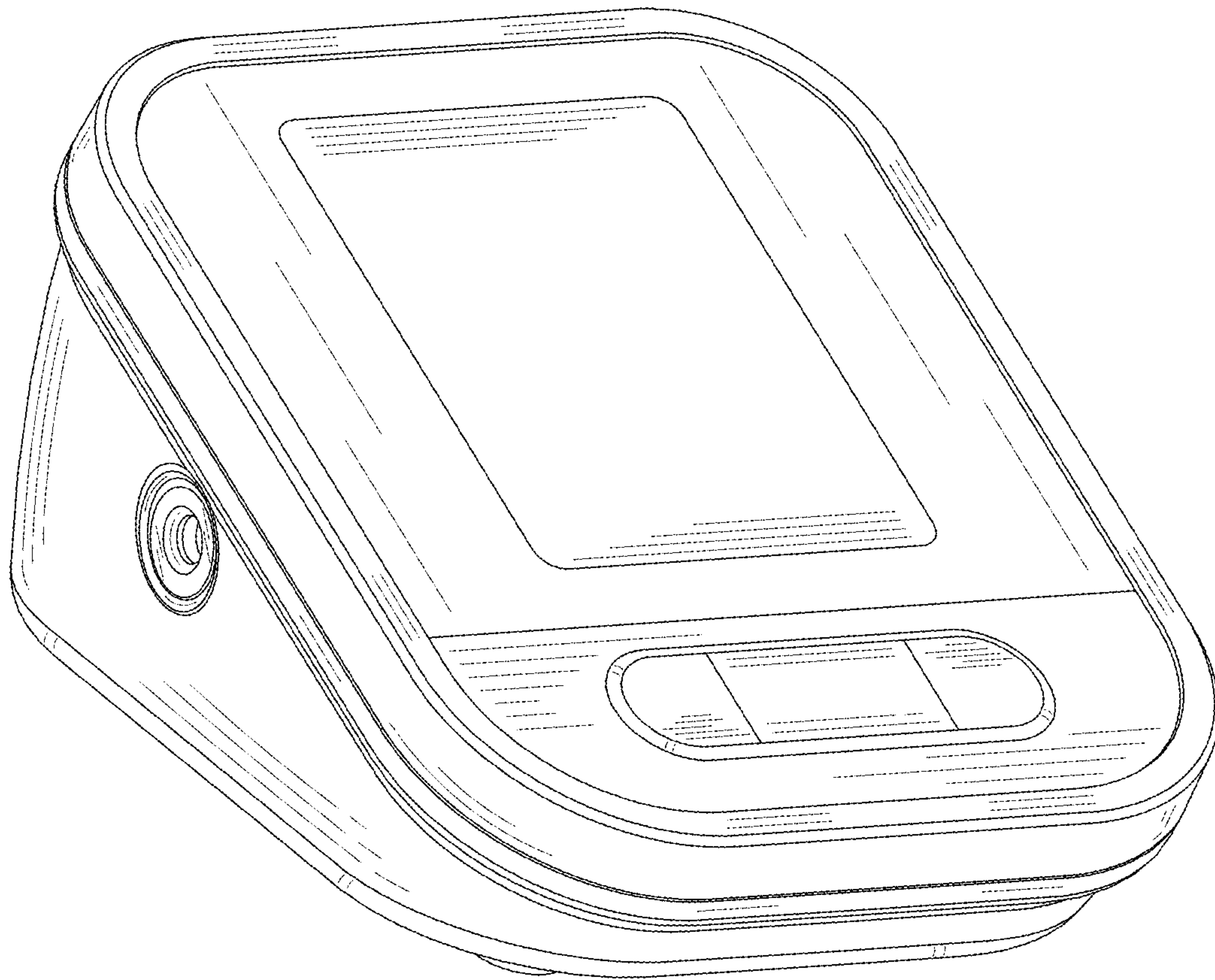


FIG. 15

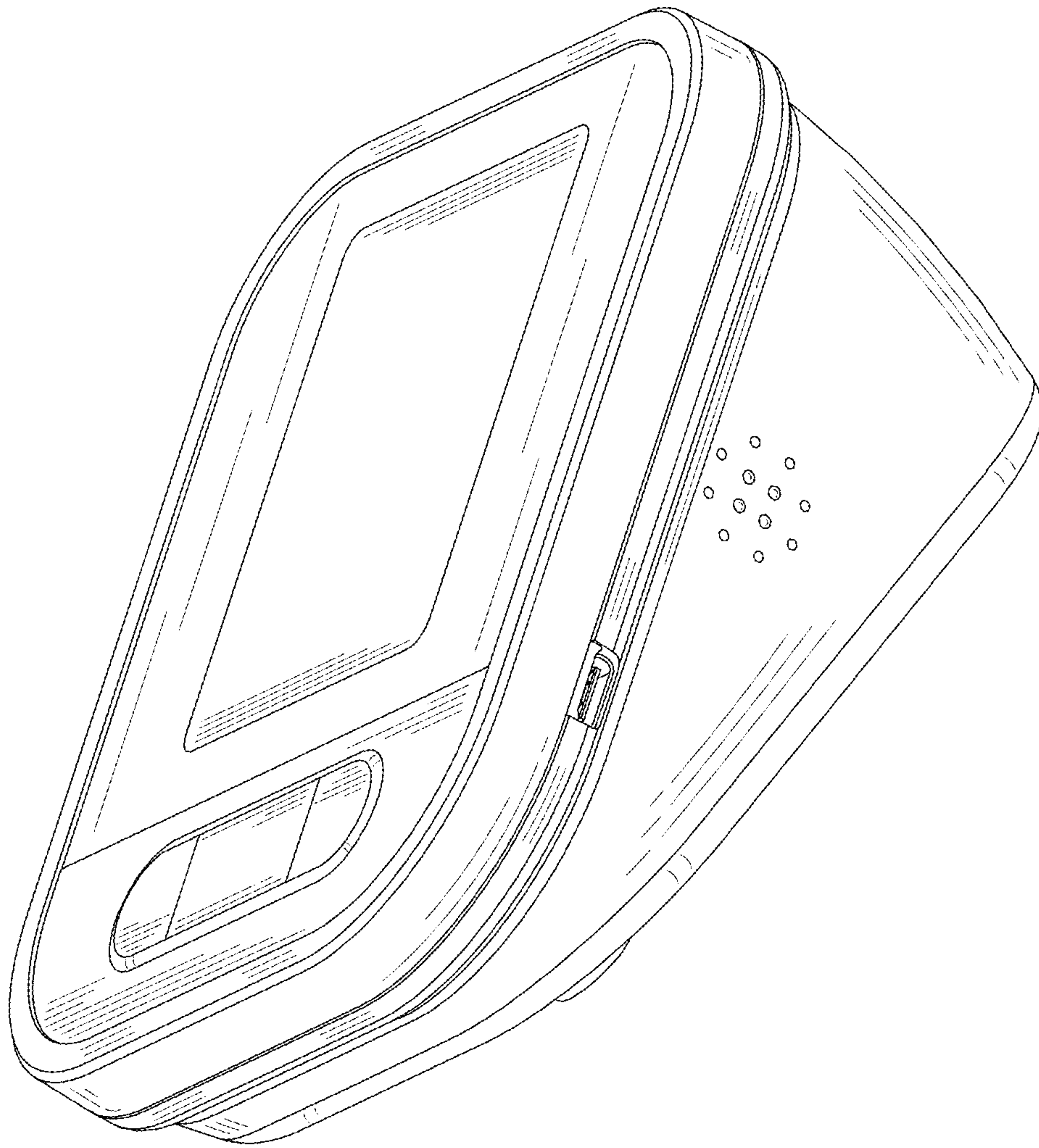


FIG. 16