



US00D978351S

(12) **United States Design Patent** (10) **Patent No.:** **US D978,351 S**
Wang (45) **Date of Patent:** **** *Feb. 14, 2023**

(54) **BASE FOR EAR CLEANER**
(71) Applicant: **HEIFENG ZHIZAO (SHENZHEN) TECHNOLOGY CO., LTD**, Shenzhen (CN)

D697,027 S * 1/2014 Ho D13/108
D697,475 S * 1/2014 Regole D13/108
D705,439 S 5/2014 Wainwright et al.
D730,826 S * 6/2015 Moanack D13/110
D740,750 S * 10/2015 Mayden D13/108
D757,014 S * 5/2016 Hahn D14/434

(72) Inventor: **Shihong Wang**, Shenzhen (CN)
(73) Assignee: **HEIFENG ZHIZAO (SHENZHEN) TECHNOLOGY CO., LTD**, Shenzhen (CN)

(Continued)

FOREIGN PATENT DOCUMENTS

EM 008626923-0001 * 7/2021

(*) Notice: This patent is subject to a terminal disclaimer.
(**) Term: **15 Years**

OTHER PUBLICATIONS

Amazon, "BEBIRD M9 Pro Ear Wax Cleaner", first available Feb. 25, 2020. (<https://www.amazon.com/BEBIRD-Otoscope-Endoscope-Intelligent-Gyroscope/dp/B08543QM2D?th=1>) (Year: 2020).*

(21) Appl. No.: **29/800,556**
(22) Filed: **Jul. 21, 2021**
(30) **Foreign Application Priority Data**

(Continued)

Primary Examiner — Lauren D McVey
Assistant Examiner — Justin A Johnson

Mar. 12, 2021 (CN) 202130135006.0
(51) **LOC (14) Cl.** **24-02**
(52) **U.S. Cl.**
USPC **D24/151**
(58) **Field of Classification Search**
USPC D24/107, 119, 127, 128, 133, 151, 173;
D13/107, 108
CPC A46B 5/00; A46B 5/0004; A46B 5/0016;
A46B 7/10; A46B 13/001; A46B 13/02;
A46B 13/023; A46B 13/08; A46B
2200/1006; A46B 2200/30; A61B
2018/00327; A61Q 90/00; A61F 11/006
See application file for complete search history.

(57) **CLAIM**

The ornamental design for a base for ear cleaner, as shown and described.

(56) **References Cited**

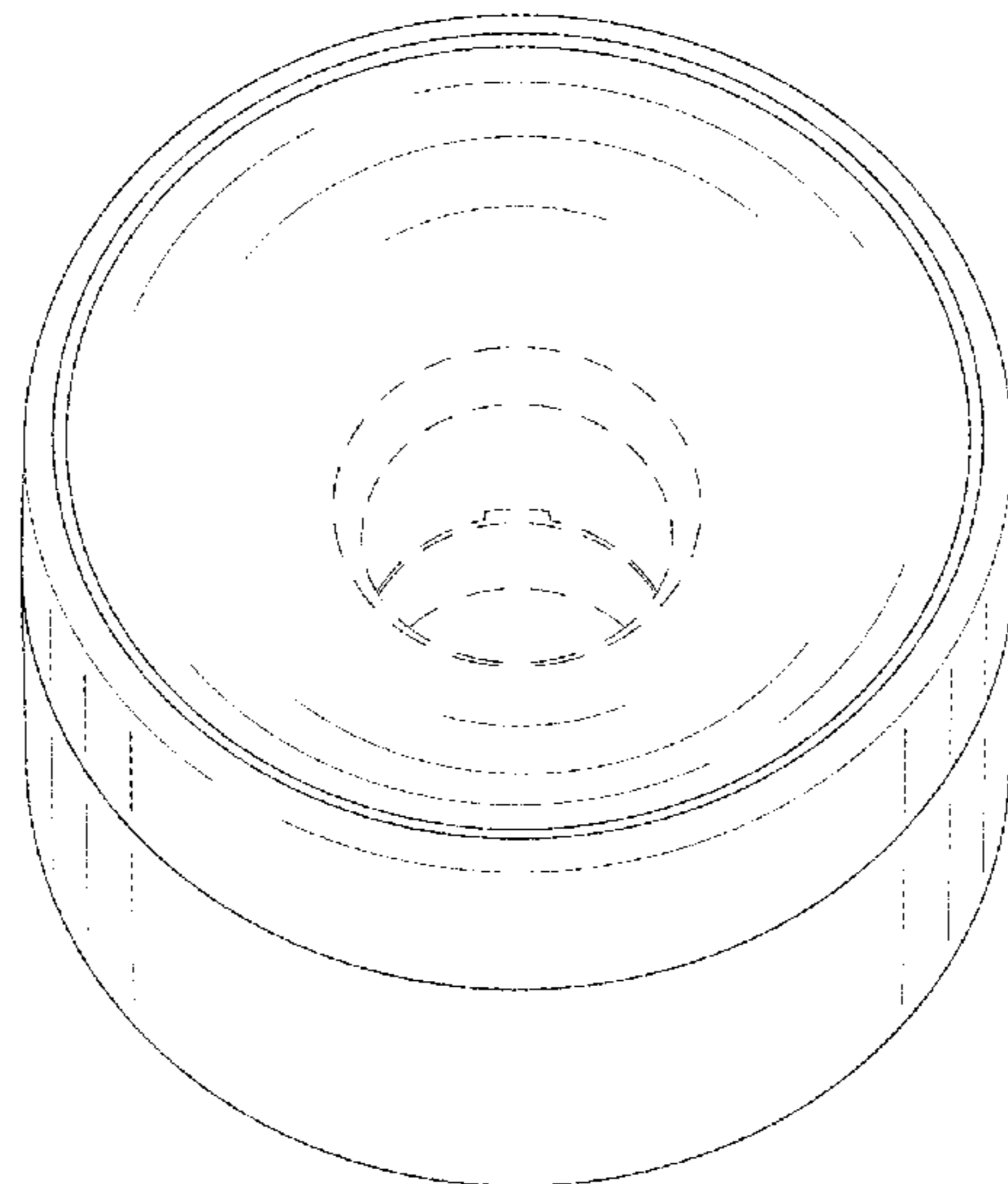
DESCRIPTION

FIG. 1 is a perspective view of a base for ear cleaner showing my new design;
FIG. 2 is another perspective view thereof;
FIG. 3 is a front elevational view thereof;
FIG. 4 is a rear elevational view thereof;
FIG. 5 is a left side elevational view thereof;
FIG. 6 is a right side elevational view thereof;
FIG. 7 is a top plan view thereof;
FIG. 8 is a bottom plan view thereof; and,
FIG. 9 is an exploded perspective view of the base for ear cleaner.

U.S. PATENT DOCUMENTS
D602,858 S * 10/2009 Ellis D13/108
D612,939 S * 3/2010 Boone, III D24/133
D620,884 S * 8/2010 Lee D13/108

The broken lines in the drawings depict portions of the base for ear cleaner that form no part of the claimed design.

1 Claim, 9 Drawing Sheets



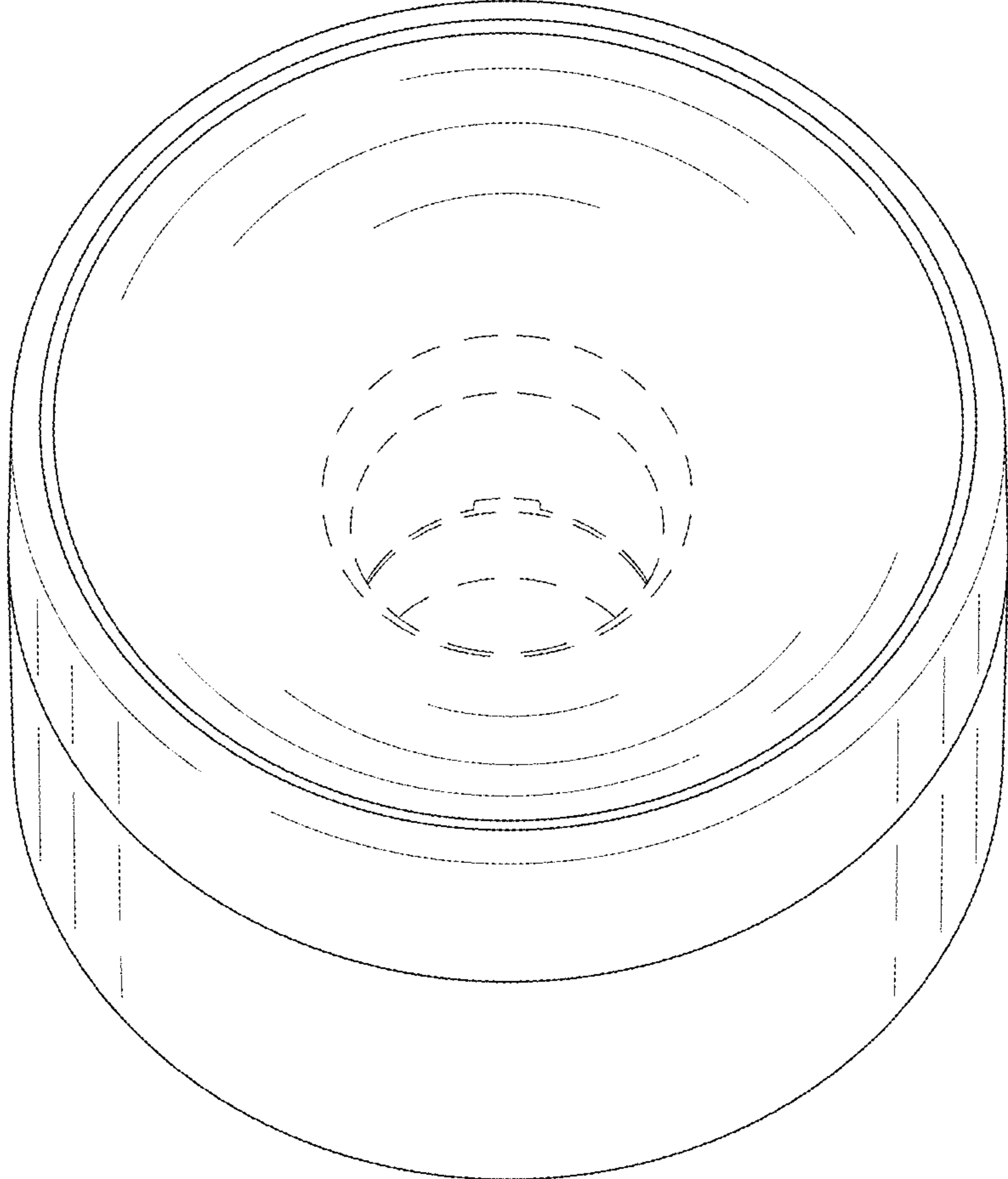


FIG. 1

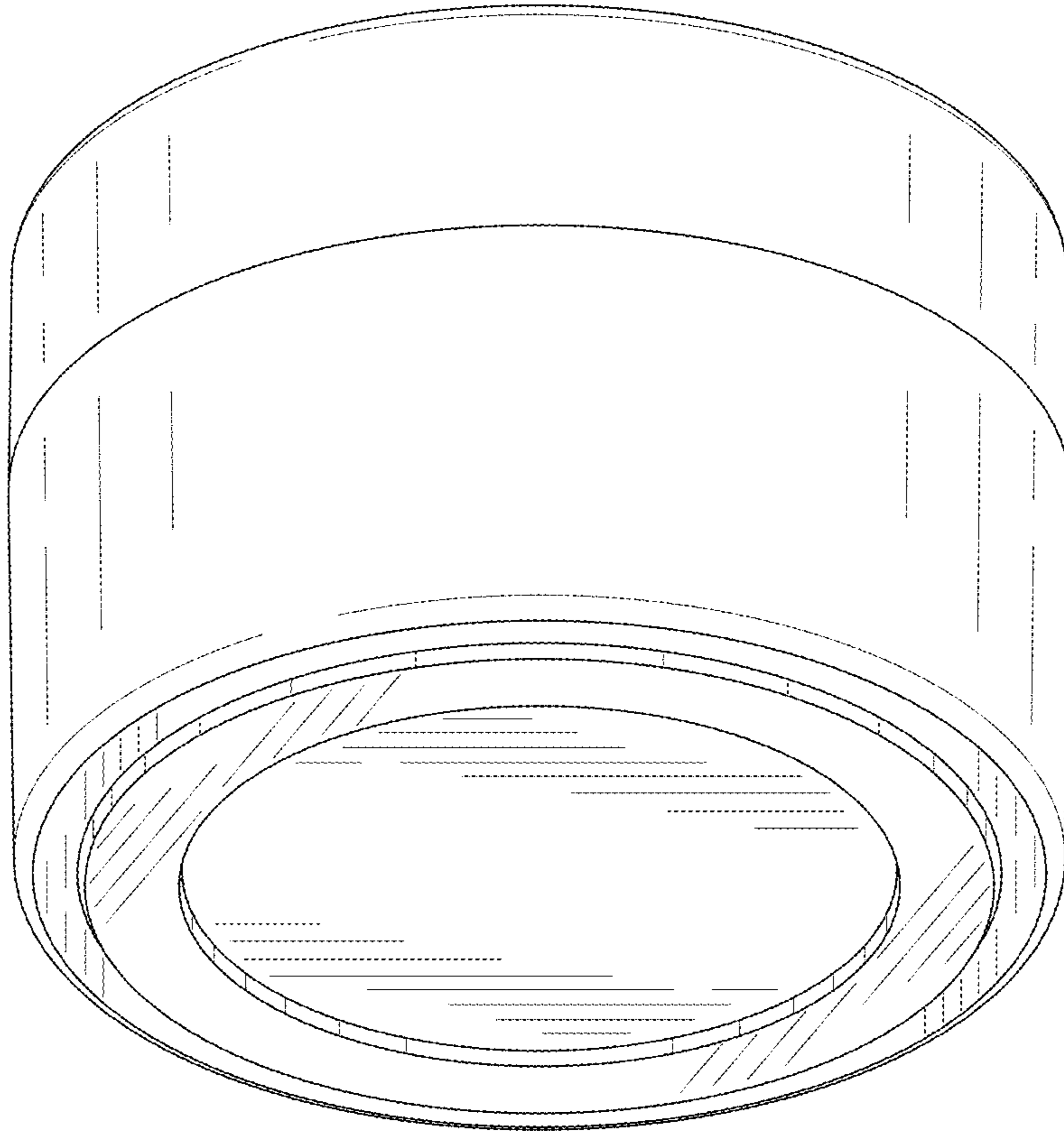


FIG. 2

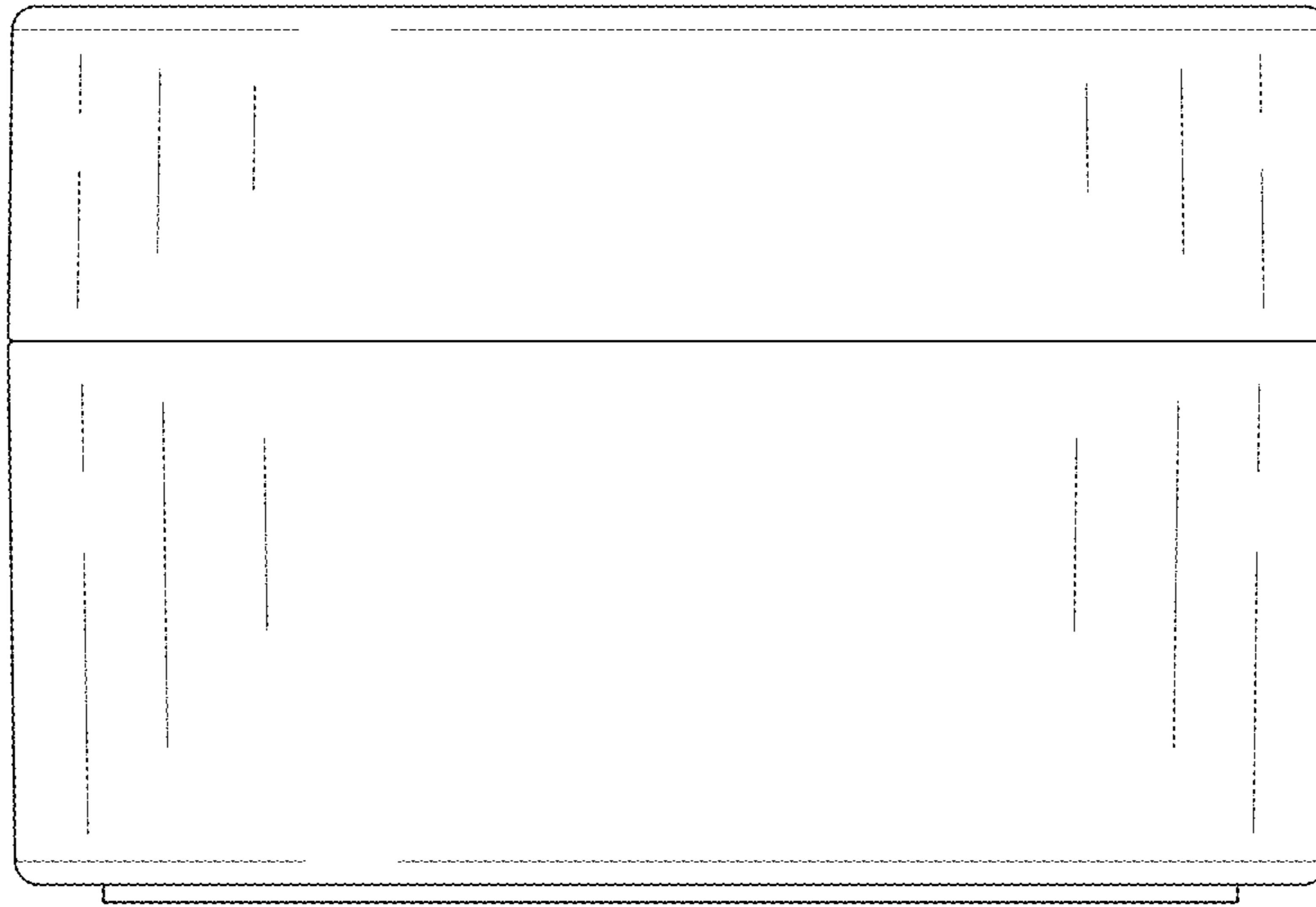


FIG. 3

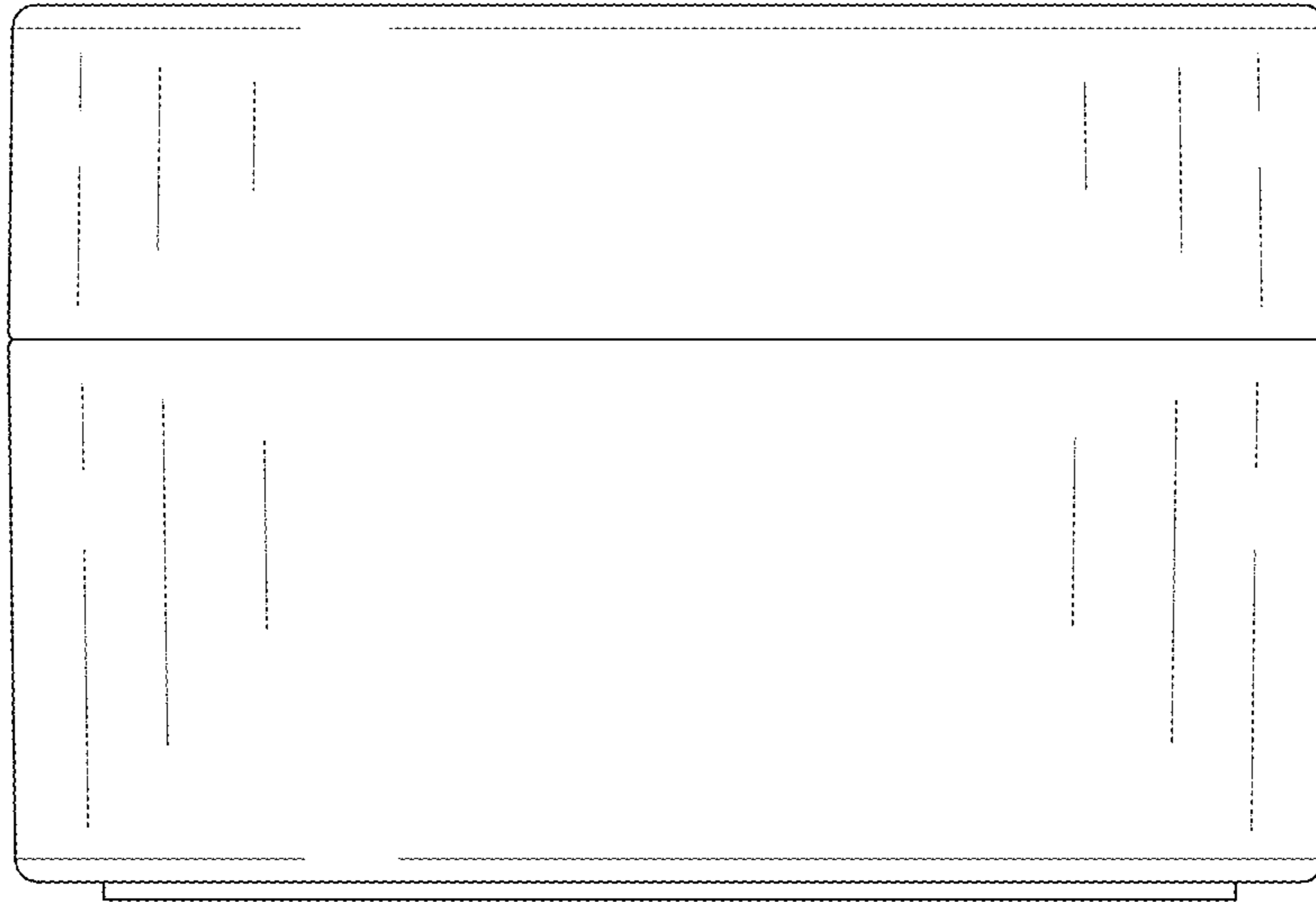


FIG. 4

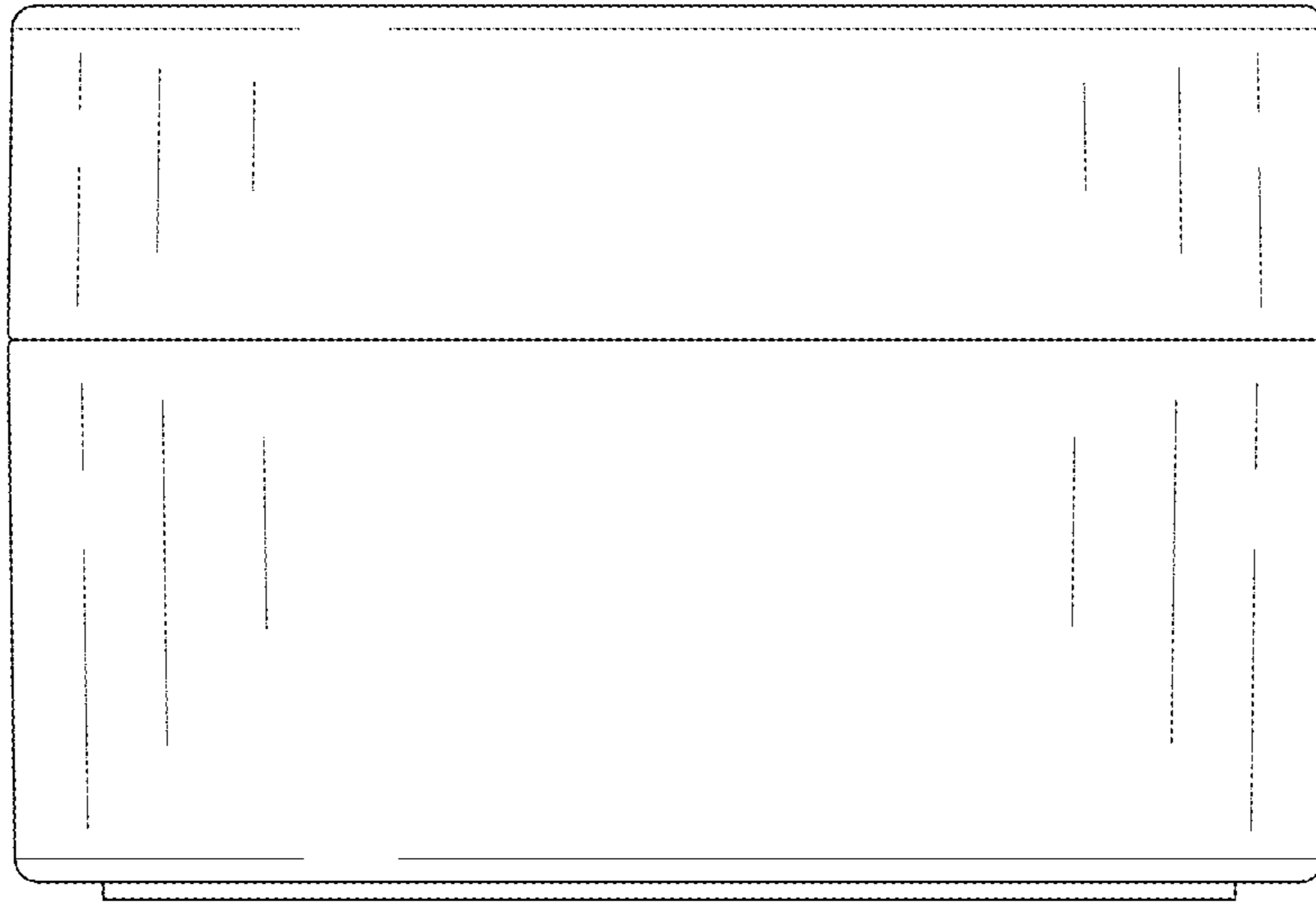


FIG. 5

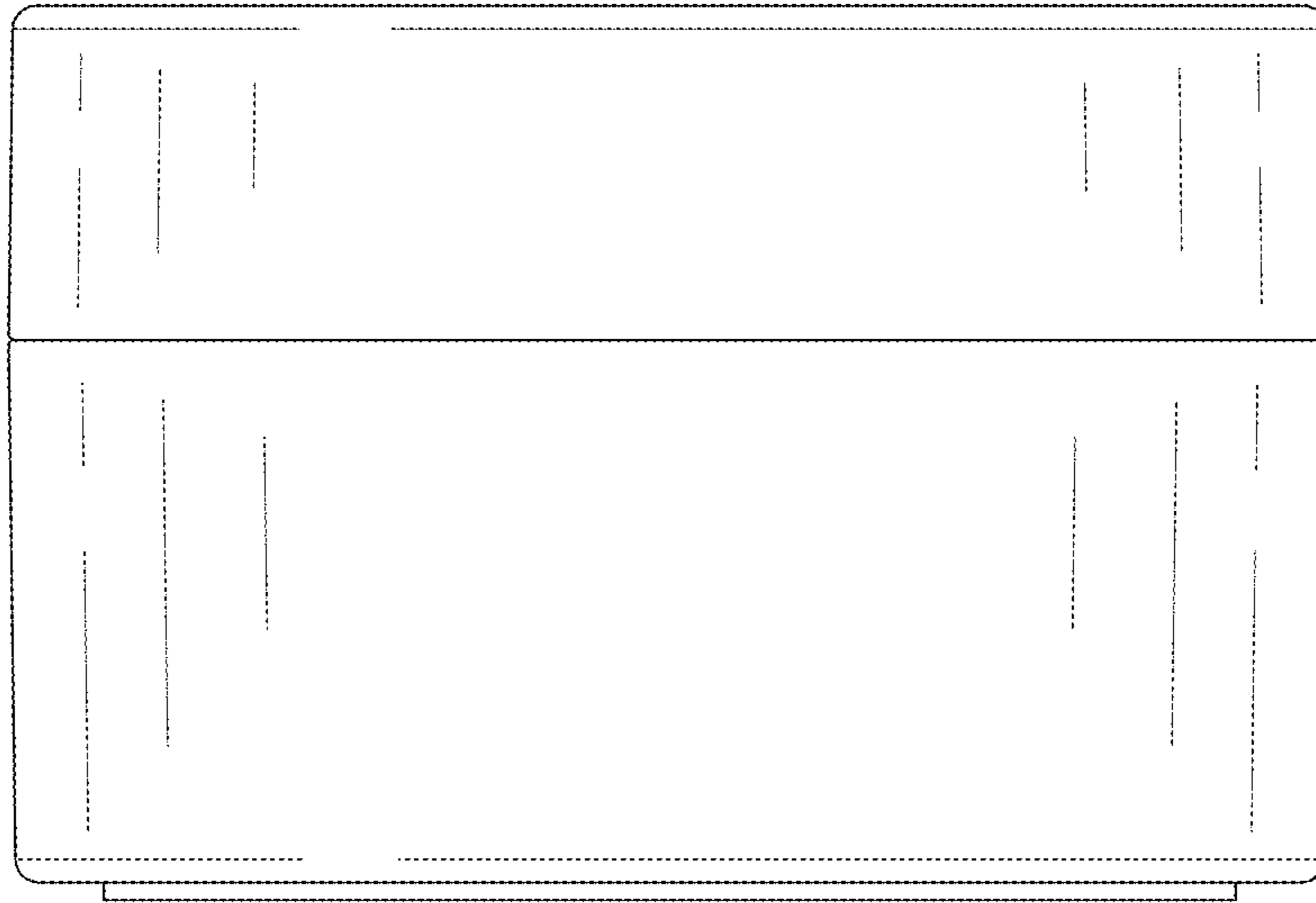


FIG. 6

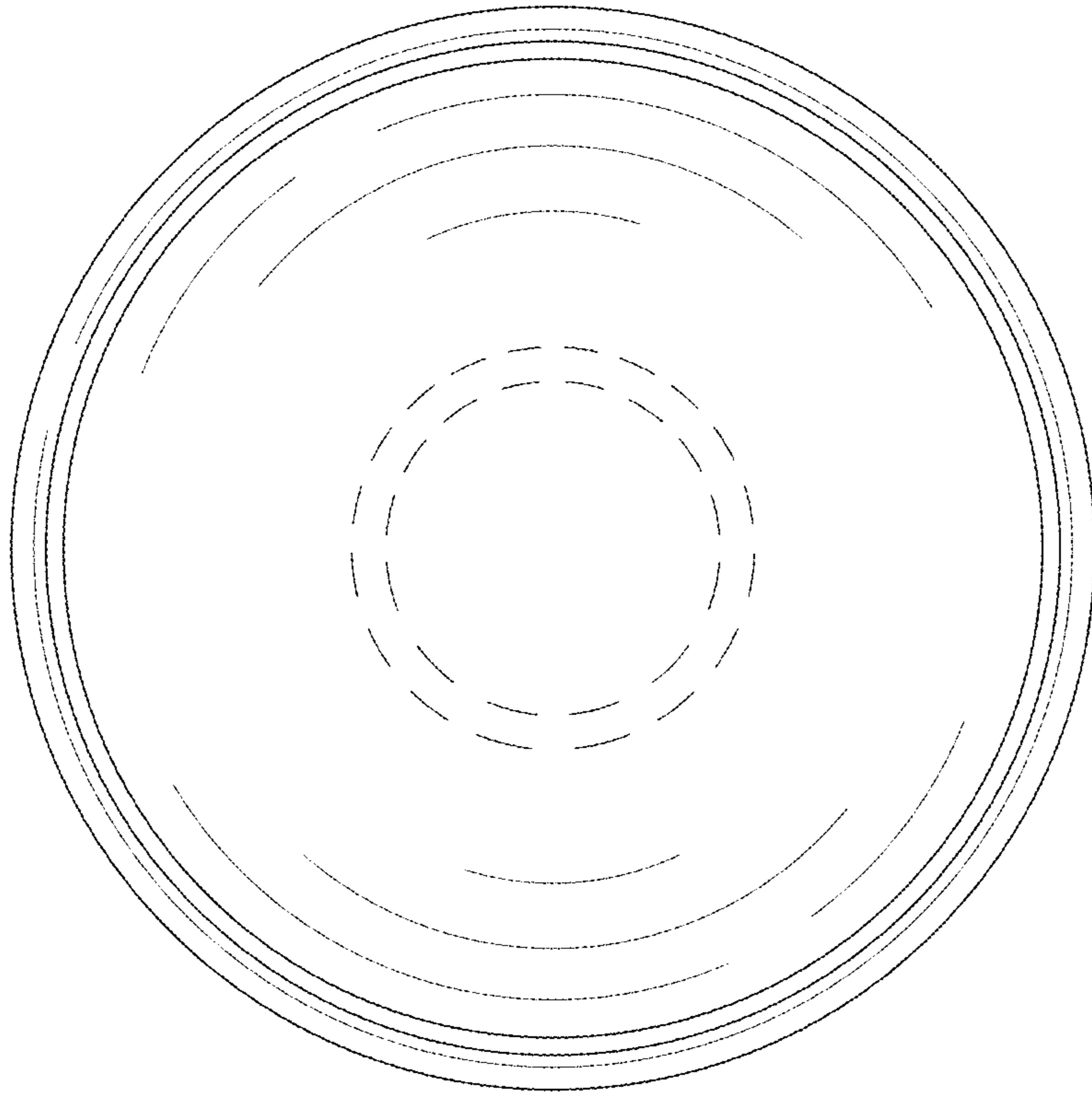


FIG. 7

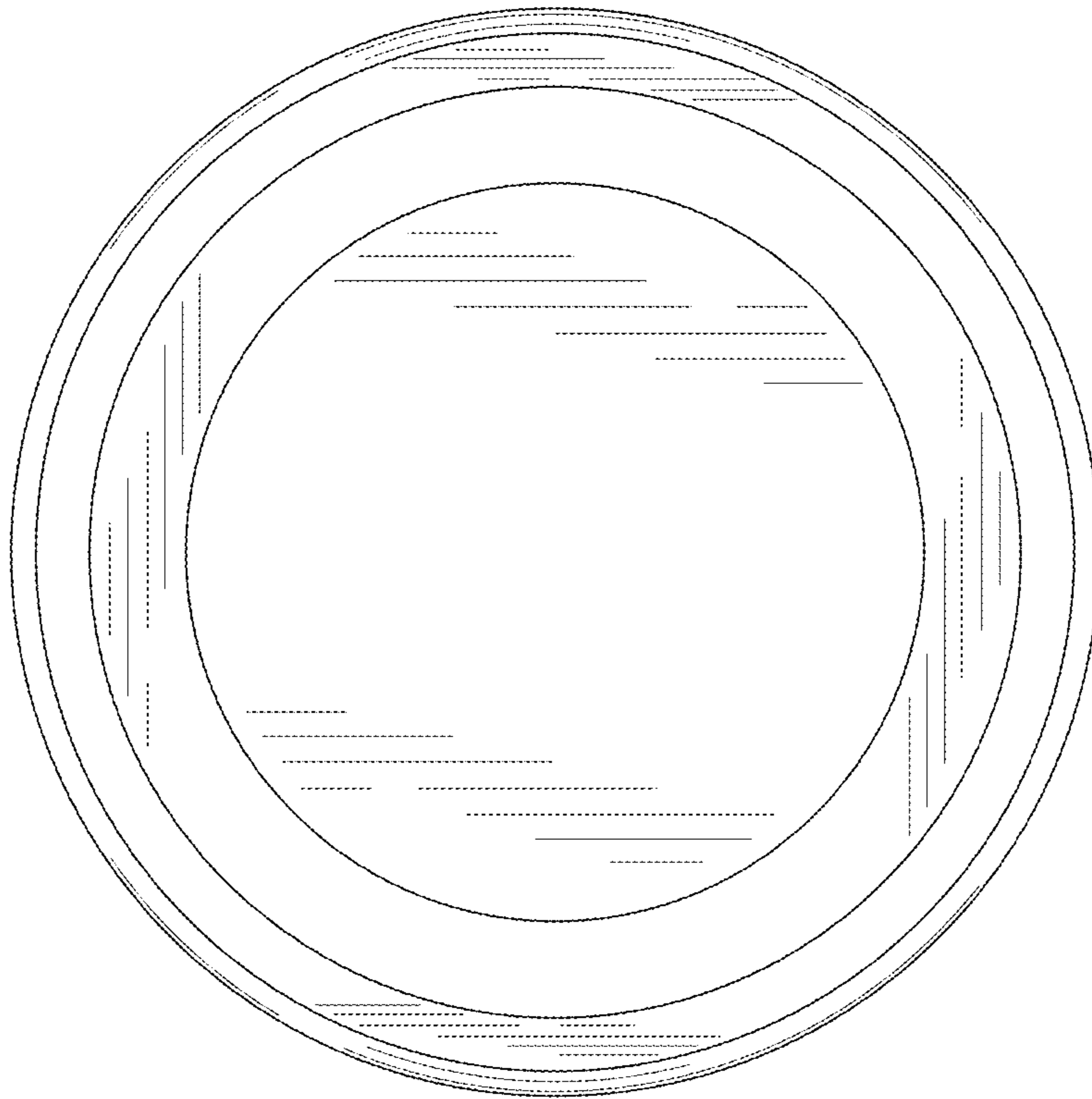


FIG. 8

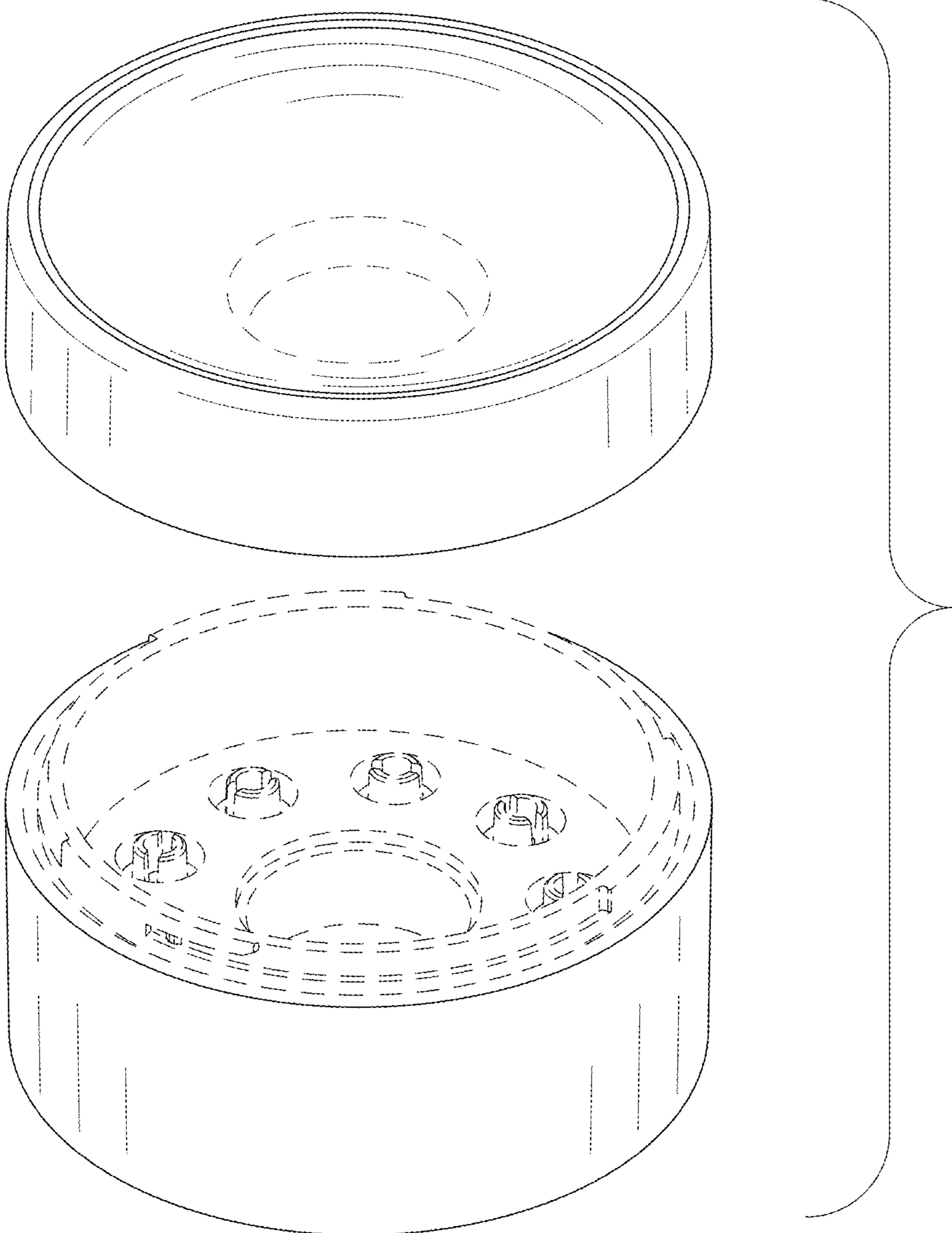


FIG. 9