



US00D978350S

(12) **United States Design Patent** (10) **Patent No.:** **US D978,350 S**
White et al. (45) **Date of Patent:** **** Feb. 14, 2023**

(54) **STAPLE CARTRIDGE ASSEMBLY FOR LINEAR SURGICAL STAPLER**

(71) Applicant: **Cilag GmbH International**, Zug (CH)

(72) Inventors: **William J. White**, West Chester, OH (US); **Caleb P. McGowen**, Hamilton, OH (US); **Carol J. Wynn**, Kings Mills, OH (US); **Jason D. Jones**, Cincinnati, OH (US); **Brian D. Schings**, Maineville, OH (US)

(73) Assignee: **Cilag GmbH International**, Zug (CH)

(**) Term: **15 Years**

(21) Appl. No.: **29/840,027**

(22) Filed: **May 25, 2022**

Related U.S. Application Data

(62) Division of application No. 29/701,300, filed on Aug. 9, 2019, now Pat. No. Des. 956,230.

(51) **LOC (14) Cl.** **24-02**

(52) **U.S. Cl.**
USPC **D24/145**

(58) **Field of Classification Search**
USPC D24/145-147
CPC A61B 17/072; A61B 17/068; A61B 17/07207; A61B 17/064; A61B 2017/07214; A61B 2017/07221; A61B 2017/07228; A61B 2017/07271
See application file for complete search history.

(56) **References Cited**

U.S. PATENT DOCUMENTS

9,924,943 B2 * 3/2018 Mohan Pinjala A61B 17/072
10,542,977 B2 * 1/2020 Mohan A61B 17/07207

10,786,324 B2 * 9/2020 Marczyk A61B 17/07207
10,918,384 B2 * 2/2021 Yigit A61B 17/072
D926,317 S * 7/2021 Posey D24/145
D926,318 S * 7/2021 Posey D24/145
2018/0168634 A1 * 6/2018 Harris A61B 17/07207
2018/0168637 A1 * 6/2018 Harris A61B 17/072
2019/0328390 A1 * 10/2019 Harris A61B 17/072
2022/0079590 A1 * 3/2022 Harris A61B 17/072

FOREIGN PATENT DOCUMENTS

GB 6082965 * 2/2020
GB 6082977 * 2/2020
GB 6082982 * 2/2020

* cited by examiner

Primary Examiner — Wan Laymon

(74) *Attorney, Agent, or Firm* — Frost Brown Todd LLP

(57) **CLAIM**

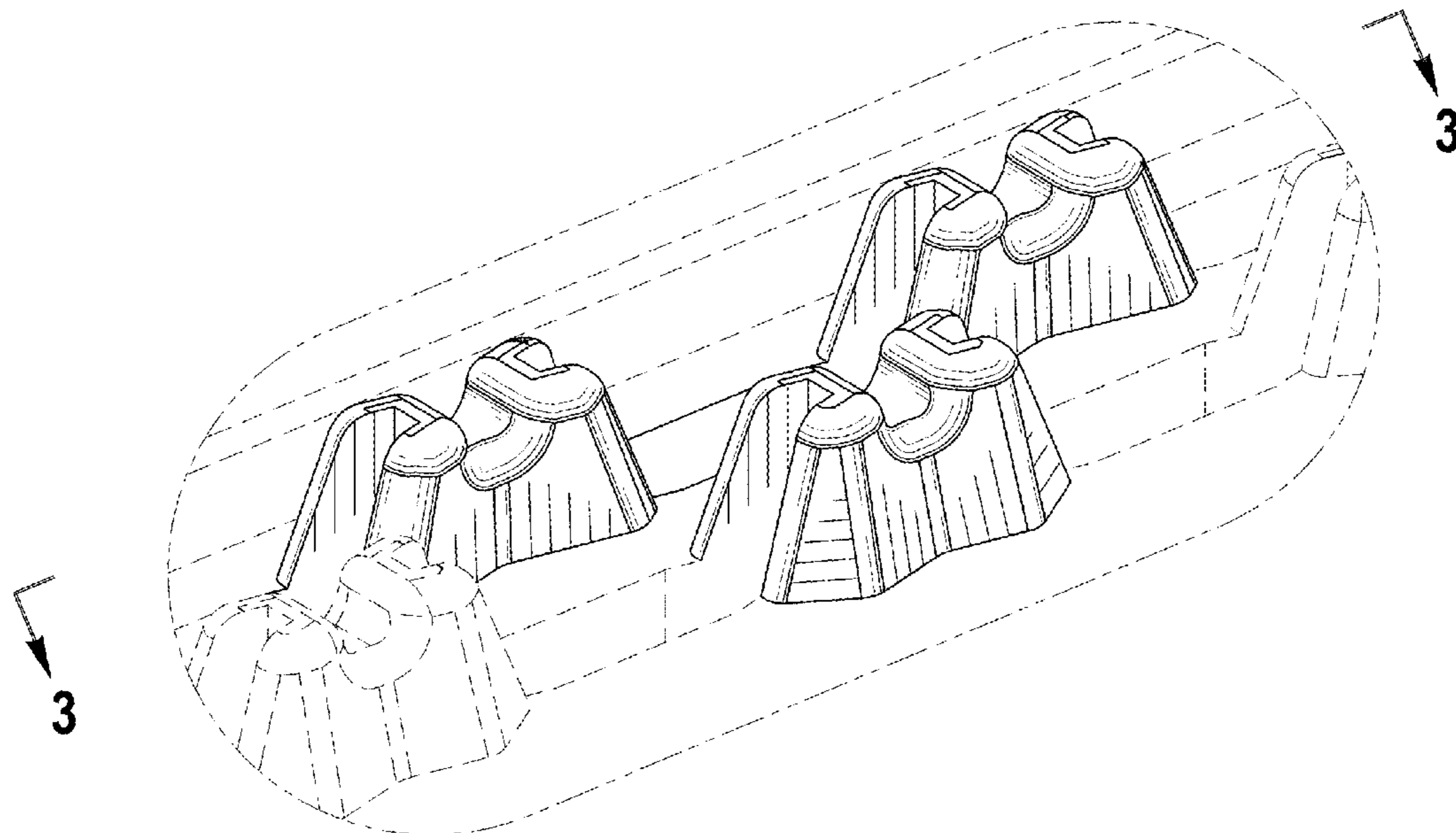
The ornamental design for a staple cartridge assembly for linear surgical stapler, as shown and described.

DESCRIPTION

FIG. 1 is a perspective view of a portion of a staple cartridge of a staple cartridge assembly for linear surgical stapler; FIG. 2 is a first side elevational view of the portion of the staple cartridge of FIG. 1; FIG. 3 is a second side elevational view of the portion of the staple cartridge of FIG. 1; and, FIG. 4 is a top plan view of the portion of the staple cartridge of FIG. 1.

The dash-dot-dot-dash type broken lines define the bounds of the claimed design while the dash-dash-dash-dash type broken lines shown in the drawings are included for the purpose of illustrating portions of the staple cartridge assembly for linear surgical stapler and are for illustrative purposes; the broken lines form no part of the claimed design.

1 Claim, 3 Drawing Sheets



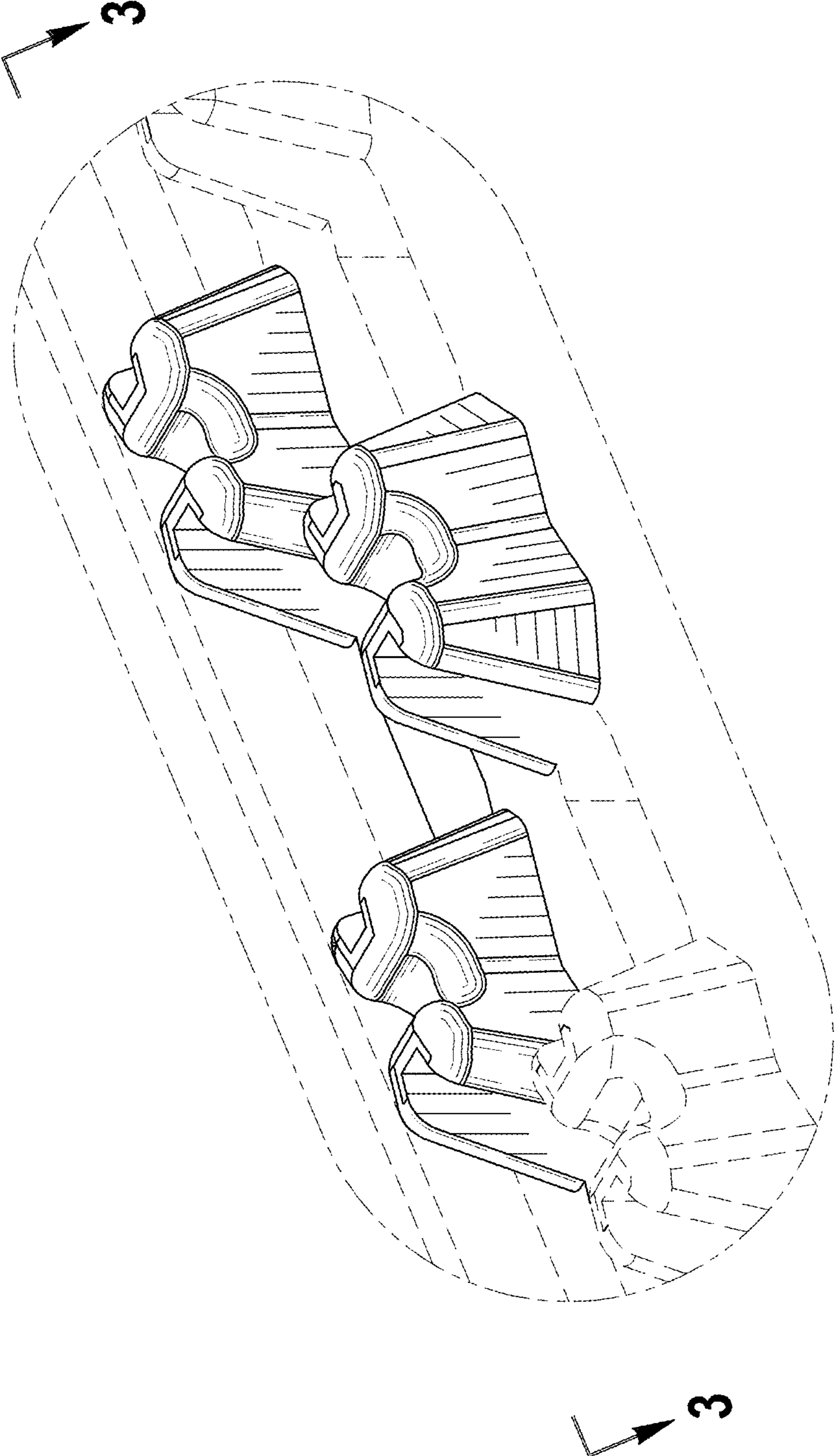


FIG. 1

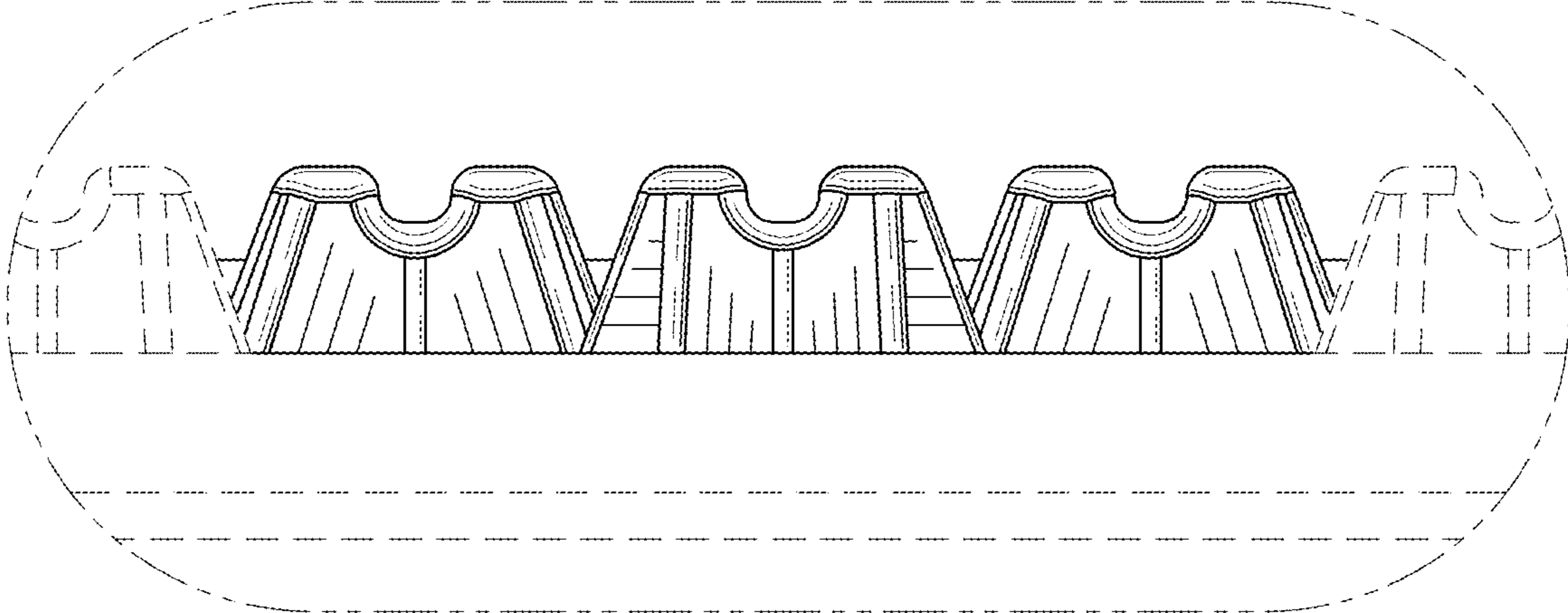


FIG. 2

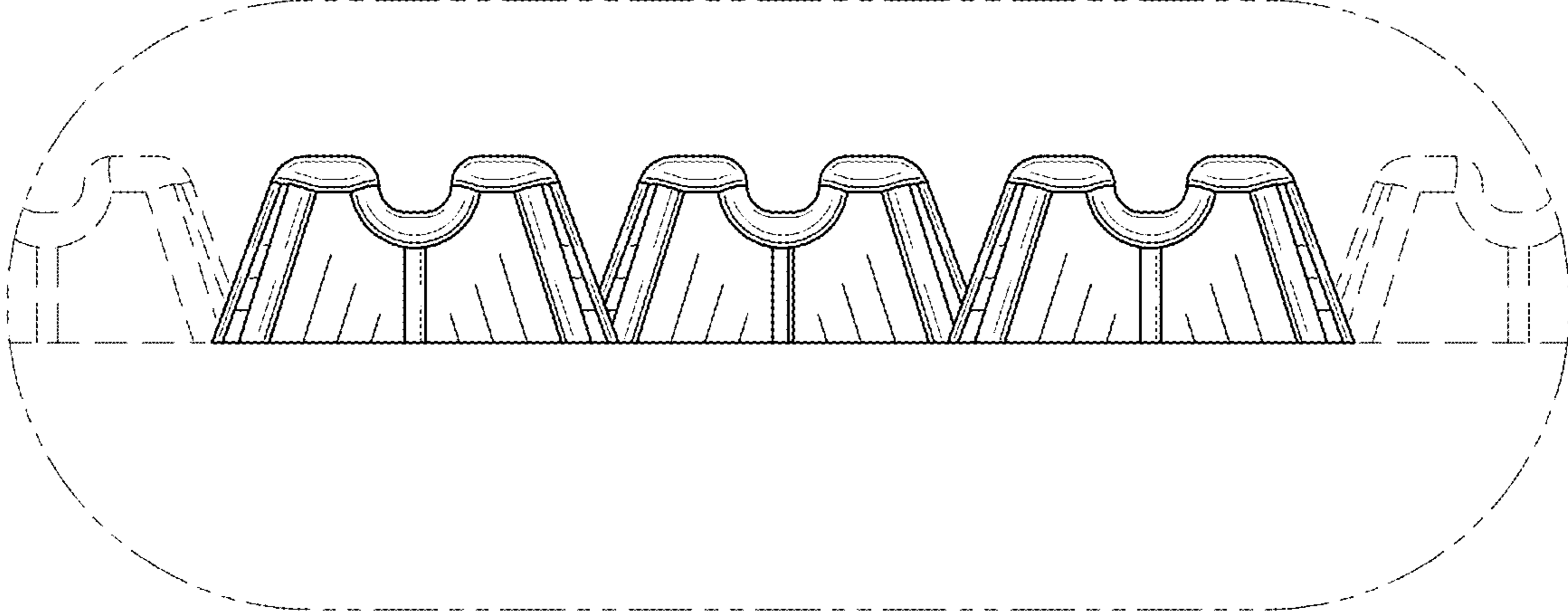


FIG. 3

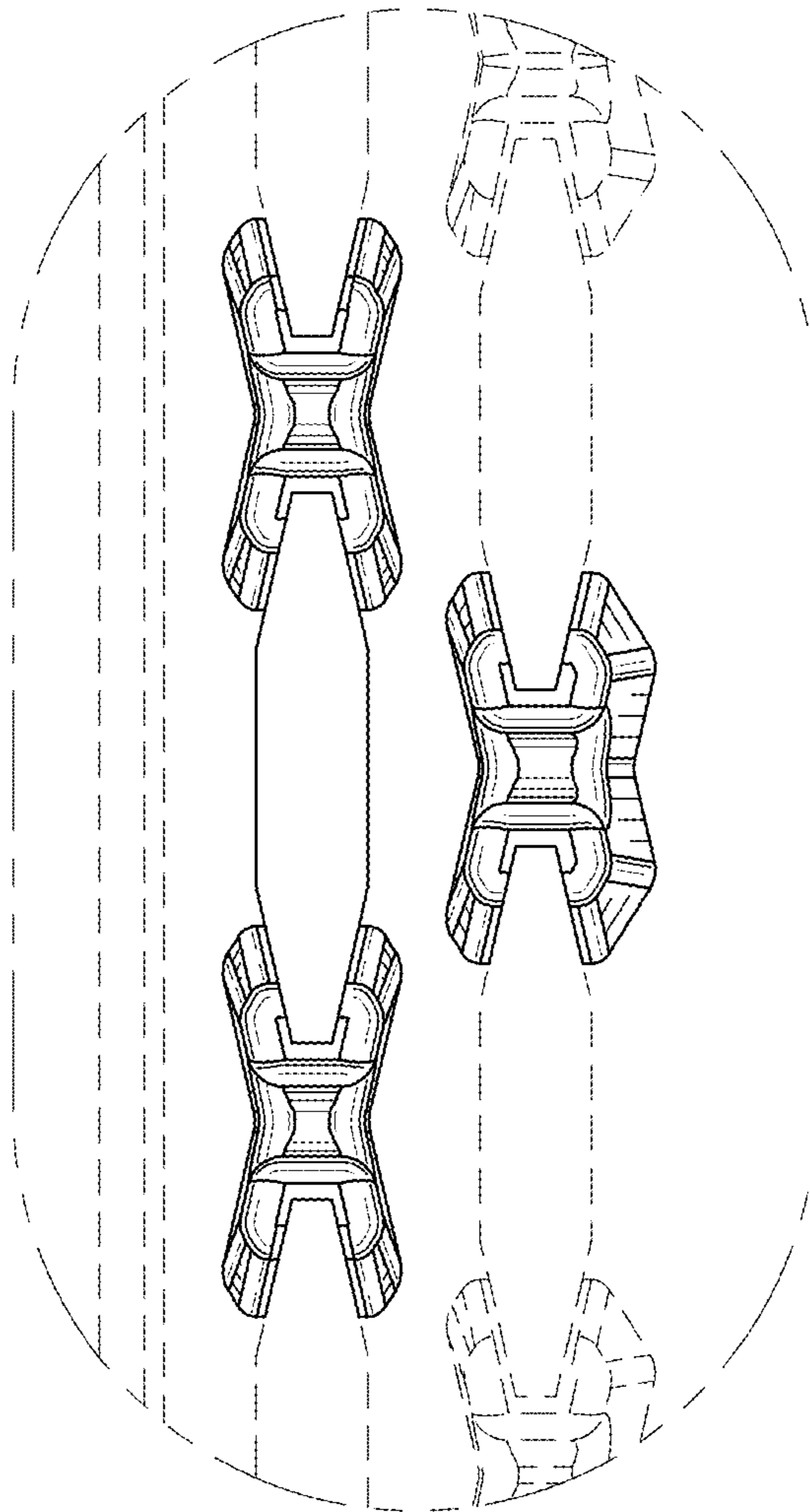


FIG. 4