



US00D978349S

(12) **United States Design Patent**  
**White et al.**

(10) **Patent No.:** **US D978,349 S**  
(45) **Date of Patent:** **\*\* Feb. 14, 2023**

(54) **STAPLE CARTRIDGE ASSEMBLY FOR LINEAR SURGICAL STAPLER**

D904,613 S \* 12/2020 Wynn ..... D24/145  
D950,728 S \* 5/2022 Bakos ..... D24/145  
11,337,693 B2 \* 5/2022 Hess ..... A61B 17/07207  
D955,575 S \* 6/2022 White ..... D24/145

(Continued)

(71) Applicant: **Cilag GmbH International**, Zug (CH)

(72) Inventors: **William J. White**, West Chester, OH (US); **Caleb P. McGowen**, Hamilton, OH (US); **Carol J. Wynn**, Kings Mills, OH (US); **Jason D. Jones**, Cincinnati, OH (US); **Brian D. Schings**, Maineville, OH (US)

FOREIGN PATENT DOCUMENTS

GB 6082965 \* 2/2020  
GB 6082977 \* 2/2020  
GB 6082982 \* 2/2020

*Primary Examiner* — Wan Laymon

(73) Assignee: **Cilag GmbH International**, Zug (CH)

(74) *Attorney, Agent, or Firm* — Frost Brown Todd LLP

(\*\*) Term: **15 Years**

(57) **CLAIM**

(21) Appl. No.: **29/840,025**

The ornamental design for a staple cartridge assembly for linear surgical stapler, as shown and described.

(22) Filed: **May 25, 2022**

**Related U.S. Application Data**

**DESCRIPTION**

(62) Division of application No. 29/701,285, filed on Aug. 9, 2019, now Pat. No. Des. 955,575.

(51) **LOC (14) Cl.** ..... **24-02**

(52) **U.S. Cl.**  
USPC ..... **D24/145**

(58) **Field of Classification Search**  
USPC ..... D24/145  
CPC ..... A61B 17/07207; A61B 17/068; A61B 17/064; A61B 17/072; A61B 2017/07278; A61B 2017/07228; A61B 2017/07242  
See application file for complete search history.

FIG. 1 is a perspective view of a staple cartridge of a staple cartridge assembly for linear surgical stapler, showing our new design;

FIG. 2 is a front elevational view of the staple cartridge of FIG. 1;

FIG. 3 is a rear elevational view of the staple cartridge of FIG. 1;

FIG. 4 is a first side elevational view of the staple cartridge of FIG. 1;

FIG. 5 is a second side elevational view of the staple cartridge of FIG. 1;

FIG. 6 is a top plan view of the staple cartridge of FIG. 1; and,

FIG. 7 is a bottom plan view of the staple cartridge of FIG. 1.

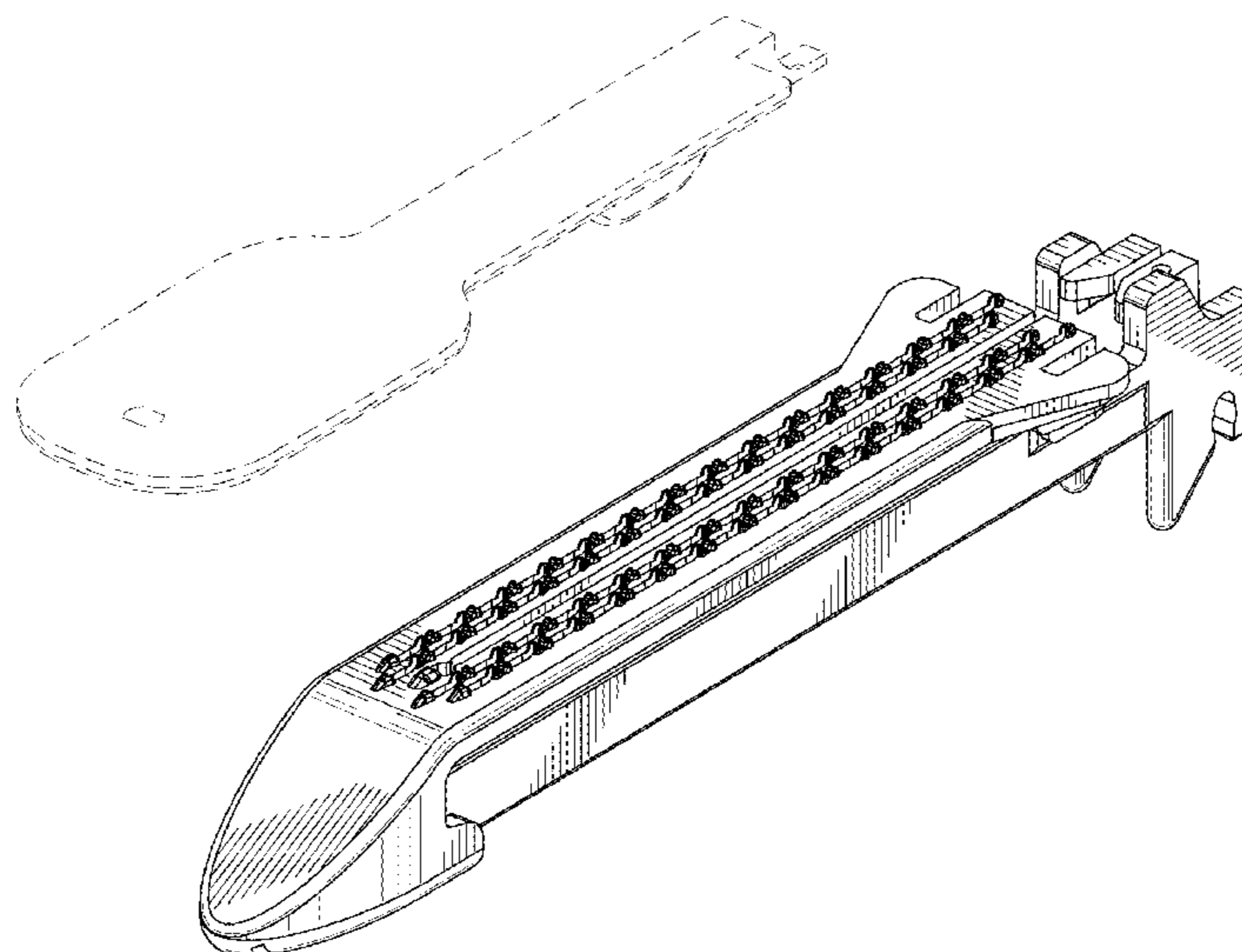
The broken lines shown in the drawings are included for the purpose of illustrating portions of the staple cartridge assembly for linear surgical stapler and form no part of the claimed design.

(56) **References Cited**

U.S. PATENT DOCUMENTS

8,387,848 B2 \* 3/2013 Johnson ..... A61B 17/068  
411/475  
8,590,762 B2 \* 11/2013 Hess ..... A61B 17/07207  
227/176.1  
D831,209 S \* 10/2018 Huitema ..... A61B 17/07207  
D24/145  
D904,612 S \* 12/2020 Wynn ..... D24/145

**1 Claim, 5 Drawing Sheets**



(56)

**References Cited**

U.S. PATENT DOCUMENTS

D956,230 S \* 6/2022 White ..... D24/145  
2016/0106427 A1 \* 4/2016 Shelton, IV ..... A61B 17/07207  
227/176.1

\* cited by examiner

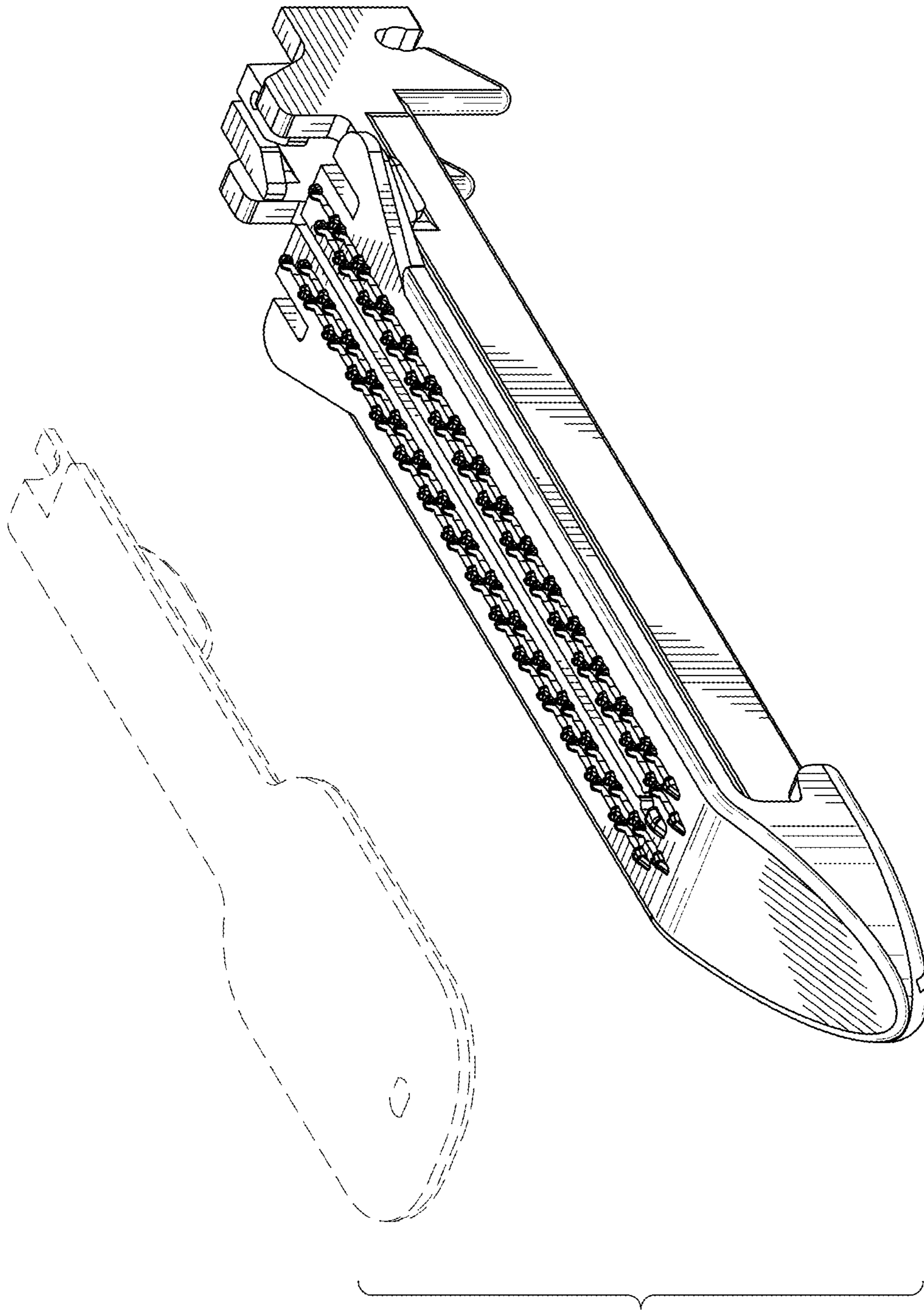


FIG. 1

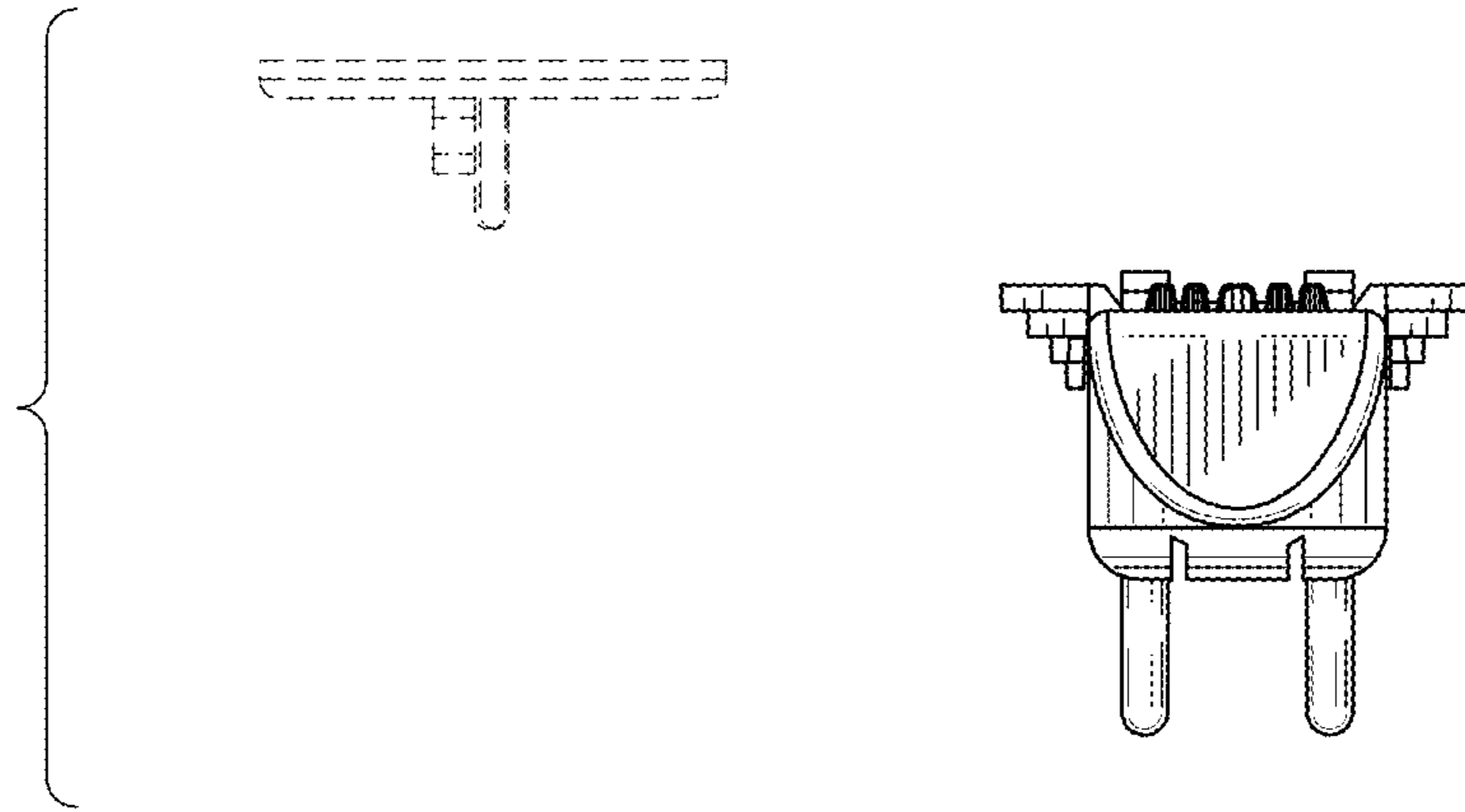


FIG. 2

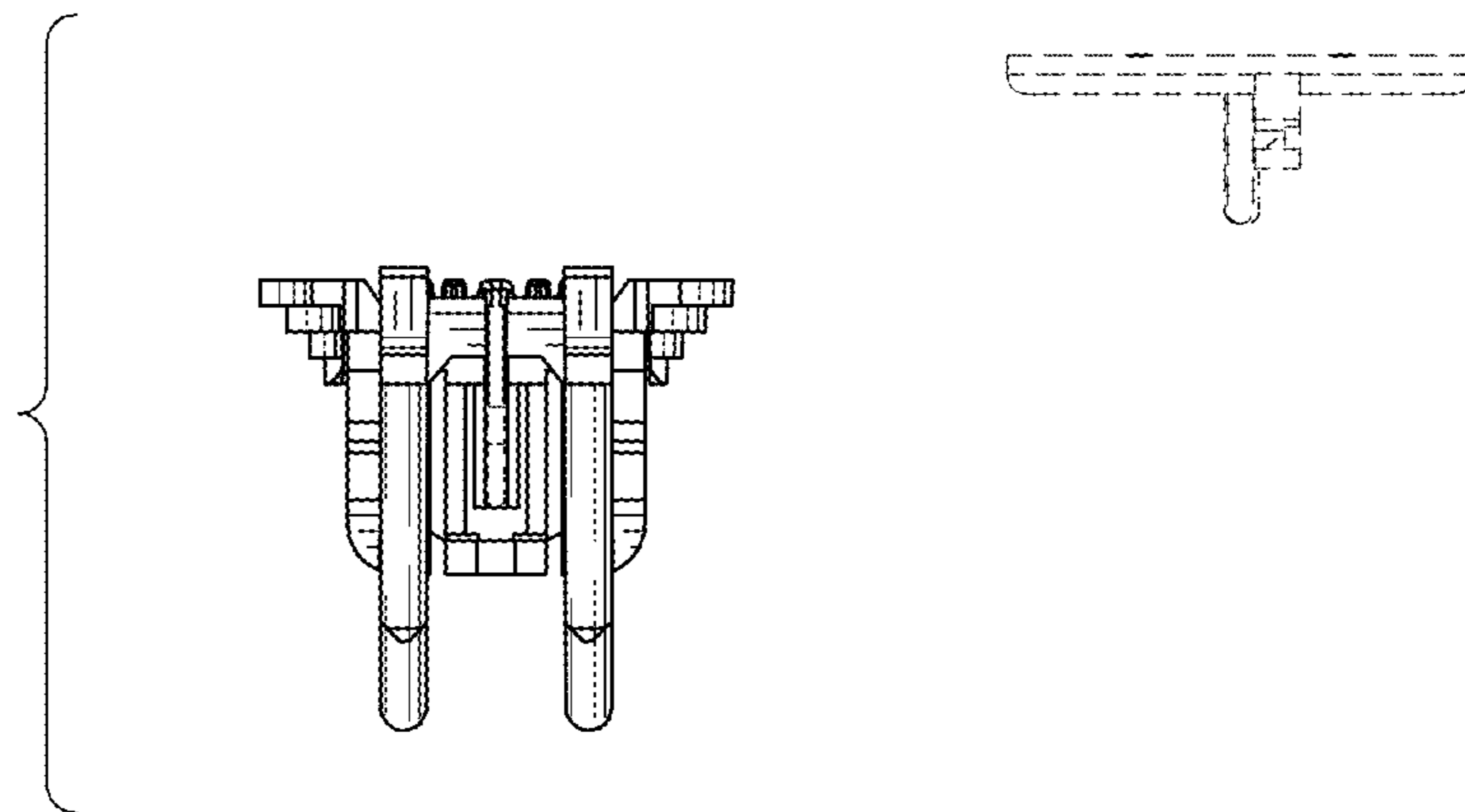
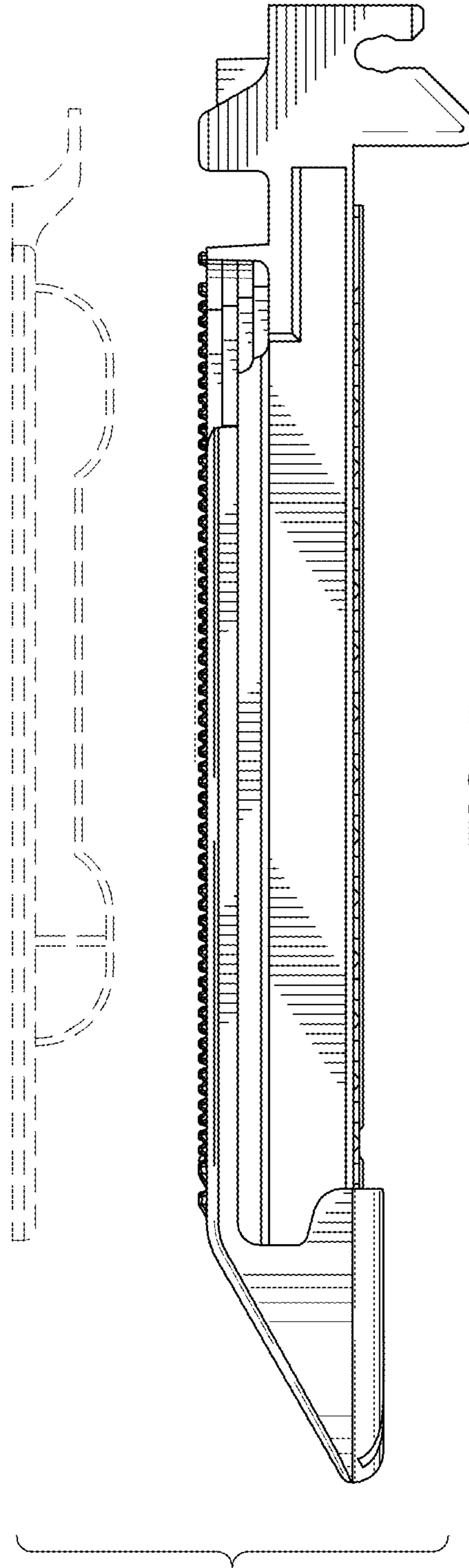
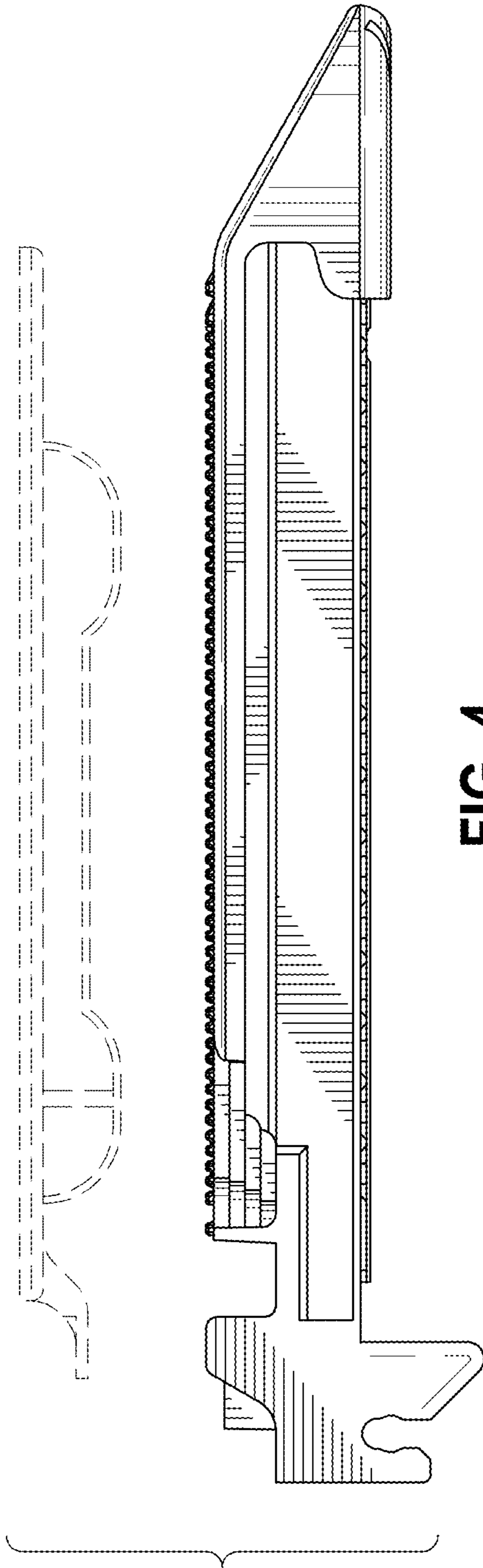


FIG. 3



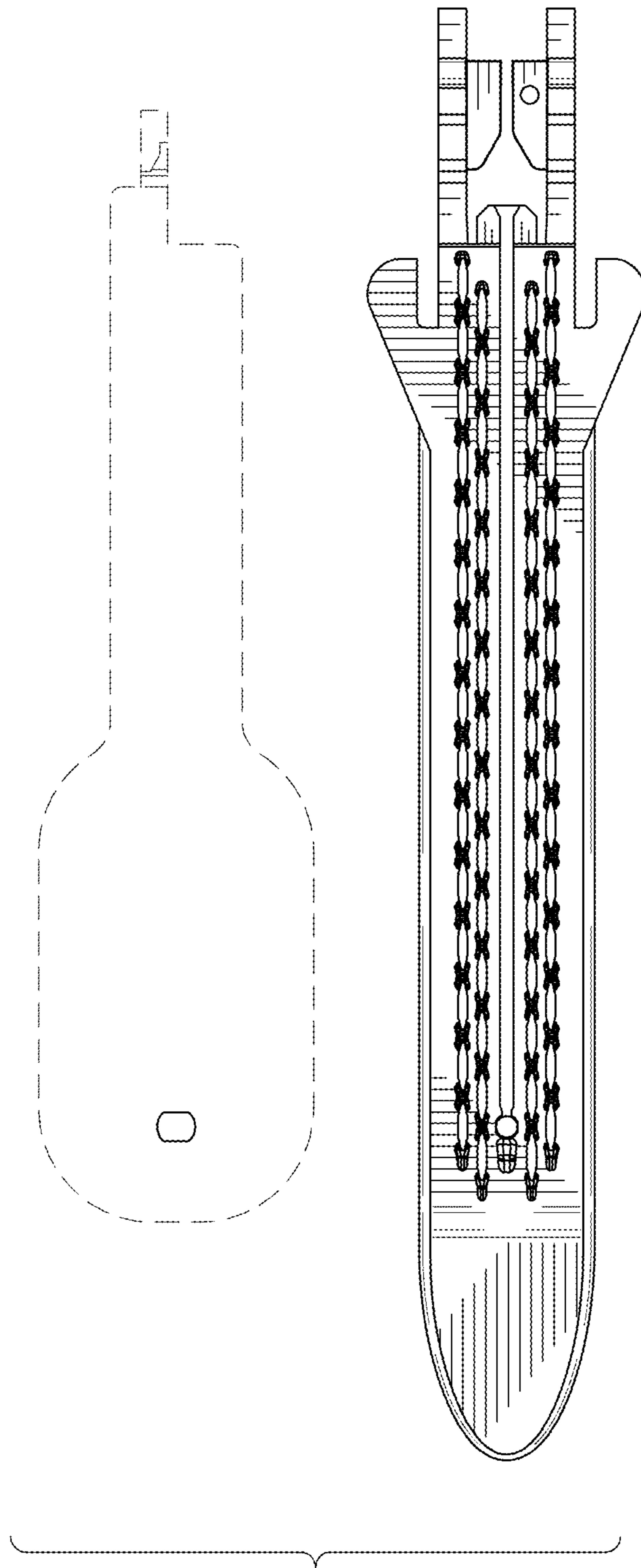


FIG. 6

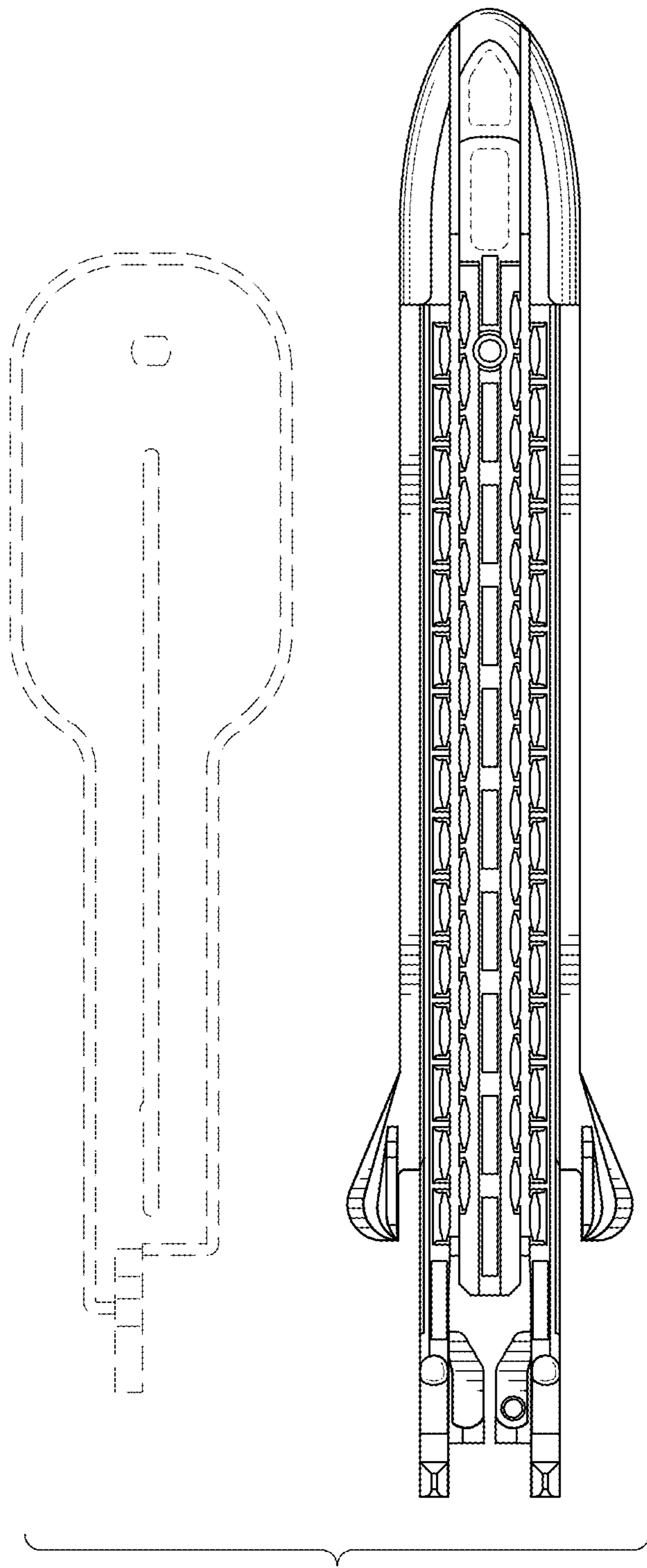


FIG. 7