



US00D978348S

(12) **United States Design Patent** (10) **Patent No.:** **US D978,348 S**
Landey et al. (45) **Date of Patent:** **** Feb. 14, 2023**

(54) **DRIVE DEVICE FOR A MEDICAL INSTRUMENT**

(71) Applicant: **Auris Health, Inc.**, Redwood City, CA (US)

(72) Inventors: **Casey Teal Landey**, San Francisco, CA (US); **Jeffrey C. Weintraub**, San Carlos, CA (US); **Bruno Richet**, Berkeley, CA (US); **Francois Pierre René Dransart**, San Francisco, CA (US); **Jaeyeon Kwon**, San Francisco, CA (US)

(73) Assignee: **Auris Health, Inc.**, Redwood City, CA (US)

(**) Term: **15 Years**

(21) Appl. No.: **29/701,988**

(22) Filed: **Aug. 15, 2019**

(51) **LOC (14) Cl.** **24-02**

(52) **U.S. Cl.**
USPC **D24/138**

(58) **Field of Classification Search**
USPC D24/108, 113, 127, 138, 137, 133, 147, D24/144
CPC G02B 6/0006; G02B 6/4436; A61B 1/07; A61B 1/00137
See application file for complete search history.

(56) **References Cited**

U.S. PATENT DOCUMENTS

9,504,604 B2	11/2016	Alvarez
9,561,083 B2	2/2017	Yu et al.
9,622,827 B2	4/2017	Yu et al.
9,636,184 B2	5/2017	Lee et al.
9,713,509 B2	7/2017	Schuh et al.
9,727,963 B2	8/2017	Mintz et al.
9,737,371 B2	8/2017	Romo et al.
9,737,373 B2	8/2017	Schuh

9,744,335 B2	8/2017	Jiang
9,763,741 B2	9/2017	Alvarez et al.
9,788,910 B2	10/2017	Schuh
9,844,412 B2	12/2017	Bogusky et al.
9,867,635 B2	1/2018	Alvarez et al.
9,918,681 B2	3/2018	Wallace et al.
9,931,025 B1	4/2018	Graetzel et al.

(Continued)

Primary Examiner — Eliza Z Harvey

(74) *Attorney, Agent, or Firm* — Chang & Hale LLP

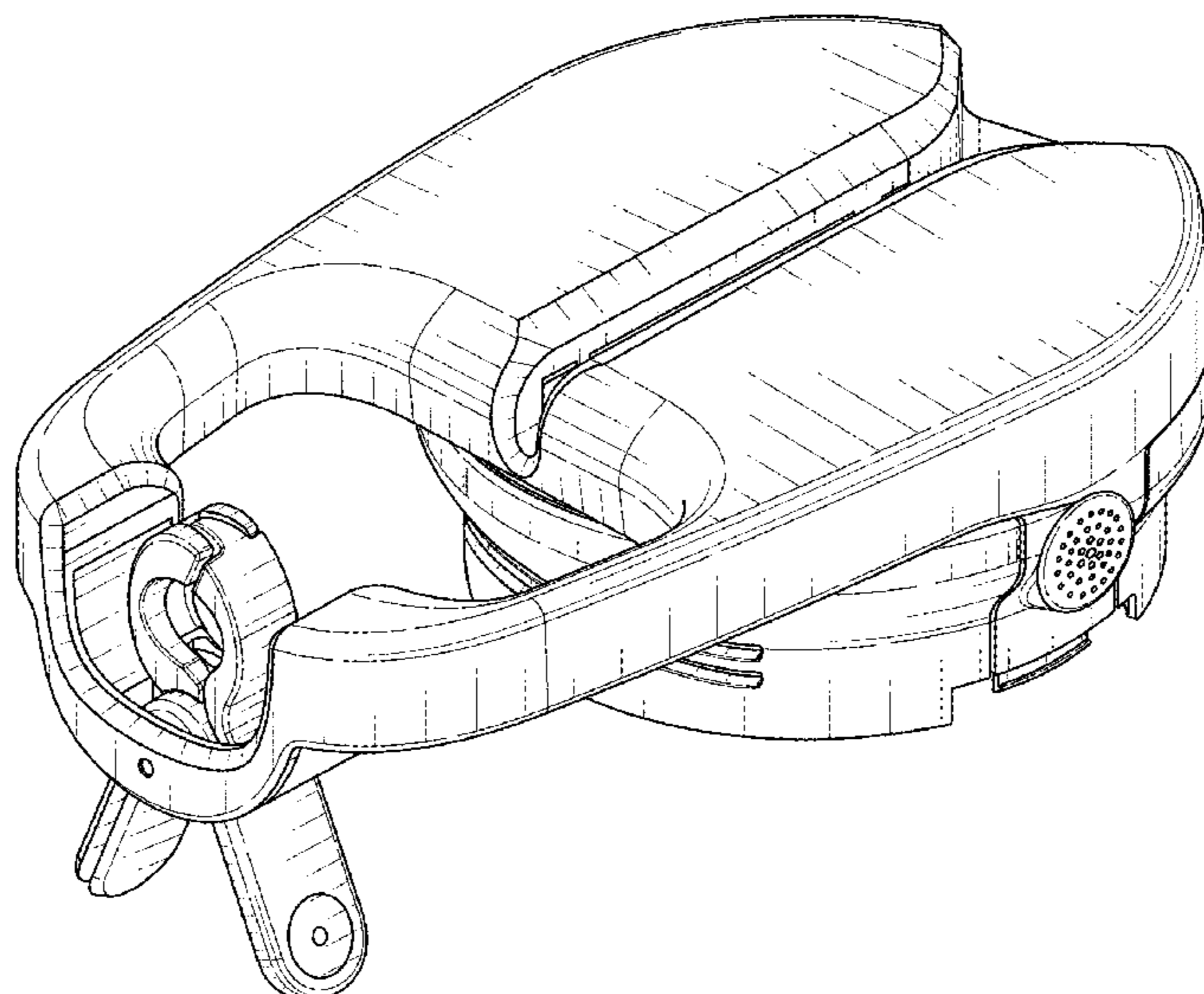
(57) **CLAIM**

The ornamental design for a drive device for a medical instrument, as shown and described.

DESCRIPTION

FIG. 1 is a top, front, right perspective view of a first embodiment of a drive device for a medical instrument; FIG. 2 is a bottom, rear, left perspective view of the first embodiment; FIG. 3 is a front view of the first embodiment; FIG. 4 is a rear view of the first embodiment; FIG. 5 is a left view of the first embodiment; FIG. 6 is a right view of the first embodiment; FIG. 7 is a top view of the first embodiment; FIG. 8 is a bottom view of the first embodiment; FIG. 9 is a top, front, right perspective view of a second embodiment of a drive device for a medical instrument; FIG. 10 is a bottom, rear, left perspective view of the second embodiment; FIG. 11 is a front view of the second embodiment; FIG. 12 is a rear view of the second embodiment; FIG. 13 is a left view of the second embodiment; FIG. 14 is a right view of the second embodiment; FIG. 15 is a top view of the second embodiment; and, FIG. 16 is a bottom view of the second embodiment. The broken lines illustrate portions of the drive device for a medical instrument and form no part of the claimed subject matter.

1 Claim, 12 Drawing Sheets



(56)

References Cited

U.S. PATENT DOCUMENTS

9,949,749 B2 4/2018 Noonan et al.
 9,955,986 B2 5/2018 Shah
 9,962,228 B2 5/2018 Schuh et al.
 9,980,785 B2 5/2018 Schuh
 9,993,313 B2 6/2018 Schuh et al.
 10,016,900 B1 7/2018 Meyer et al.
 10,022,192 B1 7/2018 Ummalaneni
 10,080,576 B2 9/2018 Romo et al.
 10,136,959 B2 11/2018 Mintz et al.
 10,145,747 B1 12/2018 Lin et al.
 10,149,720 B2 12/2018 Romo
 10,159,532 B1 12/2018 Ummalaneni et al.
 10,159,533 B2 12/2018 Moll et al.
 10,169,875 B2 1/2019 Mintz et al.
 10,219,874 B2 3/2019 Yu et al.
 10,231,793 B2 3/2019 Romo
 10,231,867 B2 3/2019 Alvarez et al.
 10,244,926 B2 4/2019 Noonan et al.
 10,285,574 B2 5/2019 Landey et al.
 10,299,870 B2 5/2019 Connolly et al.
 10,314,463 B2 6/2019 Agrawal et al.
 10,383,765 B2 8/2019 Alvarez et al.
 10,398,518 B2 9/2019 Yu et al.
 10,405,939 B2 9/2019 Romo et al.
 10,405,940 B2 9/2019 Romo
 10,426,559 B2 10/2019 Graetzel et al.
 10,426,661 B2 10/2019 Kintz
 10,434,660 B2 10/2019 Meyer
 10,945,761 B2* 3/2021 Kaufmann A61B 17/3468
 10,987,513 B2* 4/2021 Kaufmann A61N 1/36039
 2014/0142591 A1 5/2014 Alvarez et al.
 2014/0357984 A1 12/2014 Wallace et al.
 2014/0364870 A1 12/2014 Alvarez et al.
 2016/0001038 A1 1/2016 Romo et al.
 2016/0270865 A1 9/2016 Landey et al.
 2016/0287279 A1 10/2016 Bovay et al.
 2017/0007337 A1 1/2017 Dan
 2017/0119481 A1 5/2017 Romo et al.
 2017/0165011 A1 6/2017 Bovay et al.
 2017/0172673 A1 6/2017 Yu et al.
 2017/0202627 A1 7/2017 Sramek et al.
 2017/0209073 A1 7/2017 Sramek et al.
 2017/0290631 A1 10/2017 Lee et al.
 2017/0333679 A1 11/2017 Jiang
 2017/0340396 A1 11/2017 Romo et al.
 2017/0367782 A1 12/2017 Schuh et al.

2018/0025666 A1 1/2018 Ho et al.
 2018/0177556 A1 6/2018 Noonan et al.
 2018/0214011 A1 8/2018 Graetzel et al.
 2018/0221038 A1 8/2018 Noonan et al.
 2018/0221039 A1 8/2018 Shah
 2018/0250083 A1 9/2018 Schuh et al.
 2018/0271616 A1 9/2018 Schuh et al.
 2018/0279852 A1 10/2018 Rafii-Tari et al.
 2018/0280660 A1 10/2018 Landey et al.
 2018/0289431 A1 10/2018 Draper et al.
 2018/0325499 A1 11/2018 Landey et al.
 2018/0333044 A1 11/2018 Jenkins
 2018/0360435 A1 12/2018 Romo
 2019/0000559 A1 1/2019 Berman et al.
 2019/0000560 A1 1/2019 Berman et al.
 2019/0000576 A1 1/2019 Mintz et al.
 2019/0083183 A1 3/2019 Moll et al.
 2019/0105776 A1 4/2019 Ho et al.
 2019/0107454 A1 4/2019 Lin
 2019/0110839 A1 4/2019 Rafii-Tari et al.
 2019/0110843 A1 4/2019 Ummalaneni et al.
 2019/0151148 A1 4/2019 Alvarez et al.
 2019/0167366 A1 6/2019 Ummalaneni
 2019/0175009 A1 6/2019 Mintz
 2019/0175062 A1 6/2019 Rafii-Tari et al.
 2019/0175287 A1 6/2019 Hill
 2019/0175799 A1 6/2019 Hsu
 2019/0183585 A1 6/2019 Rafii-Tari et al.
 2019/0183587 A1 6/2019 Rafii-Tari et al.
 2019/0216548 A1 7/2019 Ummalaneni
 2019/0216550 A1 7/2019 Eyre
 2019/0216576 A1 7/2019 Eyre
 2019/0223974 A1 7/2019 Romo
 2019/0228525 A1 7/2019 Mintz et al.
 2019/0228528 A1 7/2019 Mintz et al.
 2019/0246882 A1 8/2019 Graetzel et al.
 2019/0262086 A1 8/2019 Connolly et al.
 2019/0269468 A1 9/2019 Hsu et al.
 2019/0274764 A1 9/2019 Romo
 2019/0290109 A1 9/2019 Agrawal et al.
 2019/0298160 A1 10/2019 Ummalaneni et al.
 2019/0298458 A1 10/2019 Srinivasan
 2019/0298460 A1 10/2019 Al-Jadda
 2019/0298465 A1 10/2019 Chin
 2019/0328213 A1 10/2019 Landey et al.
 2019/0336238 A1 11/2019 Yu
 2020/0329950 A1* 10/2020 Shear A61B 1/0676

* cited by examiner

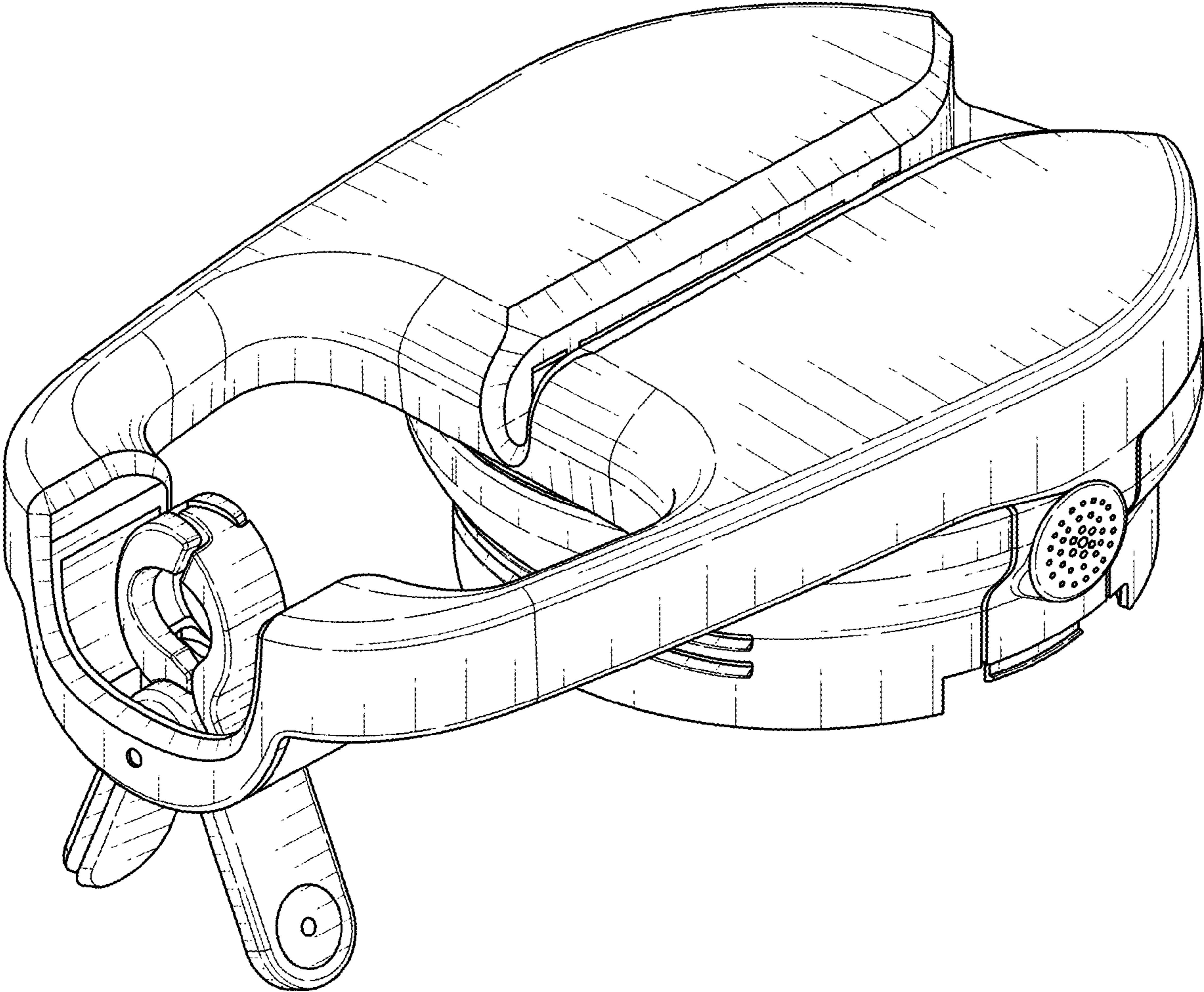


FIG. 1

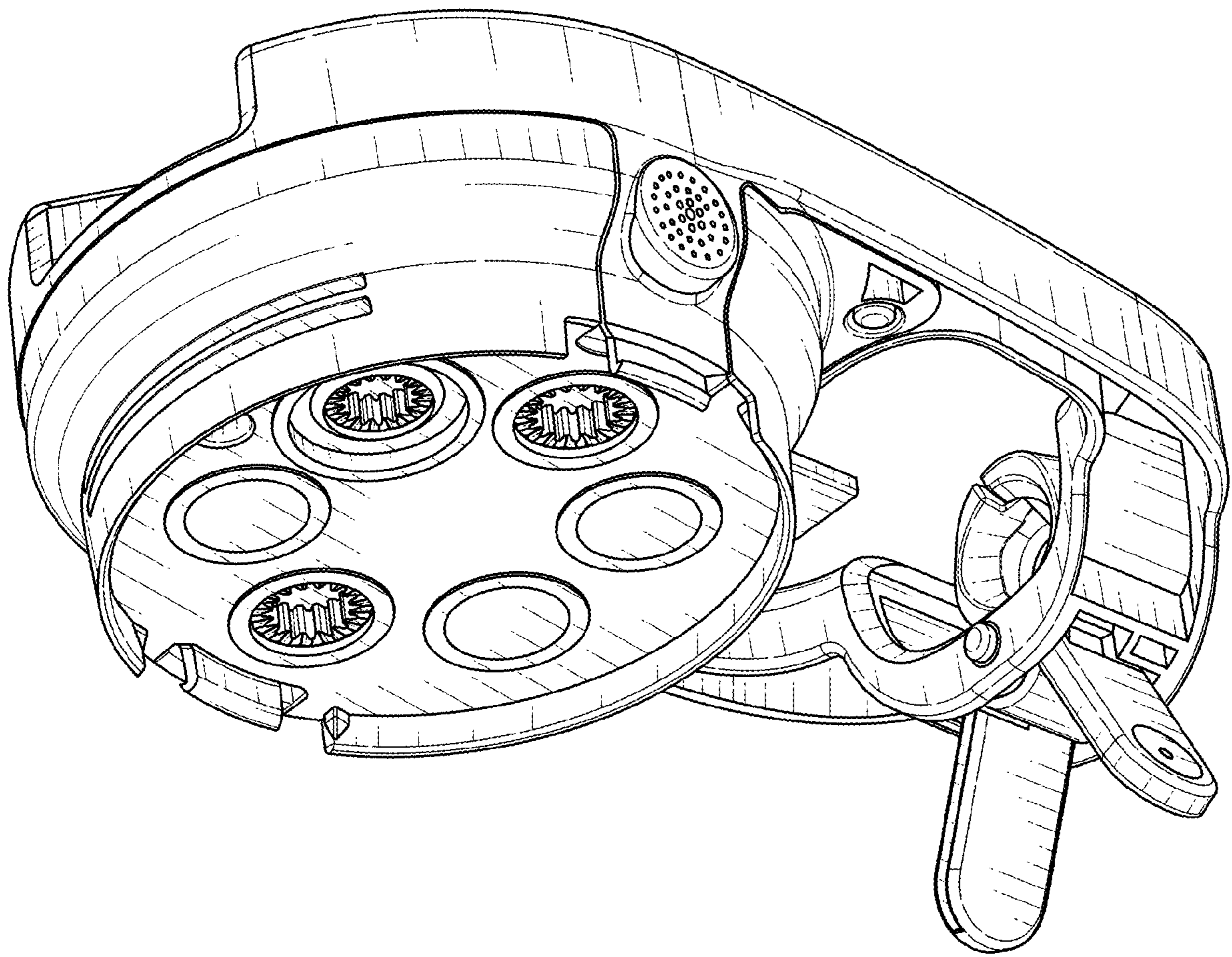


FIG. 2

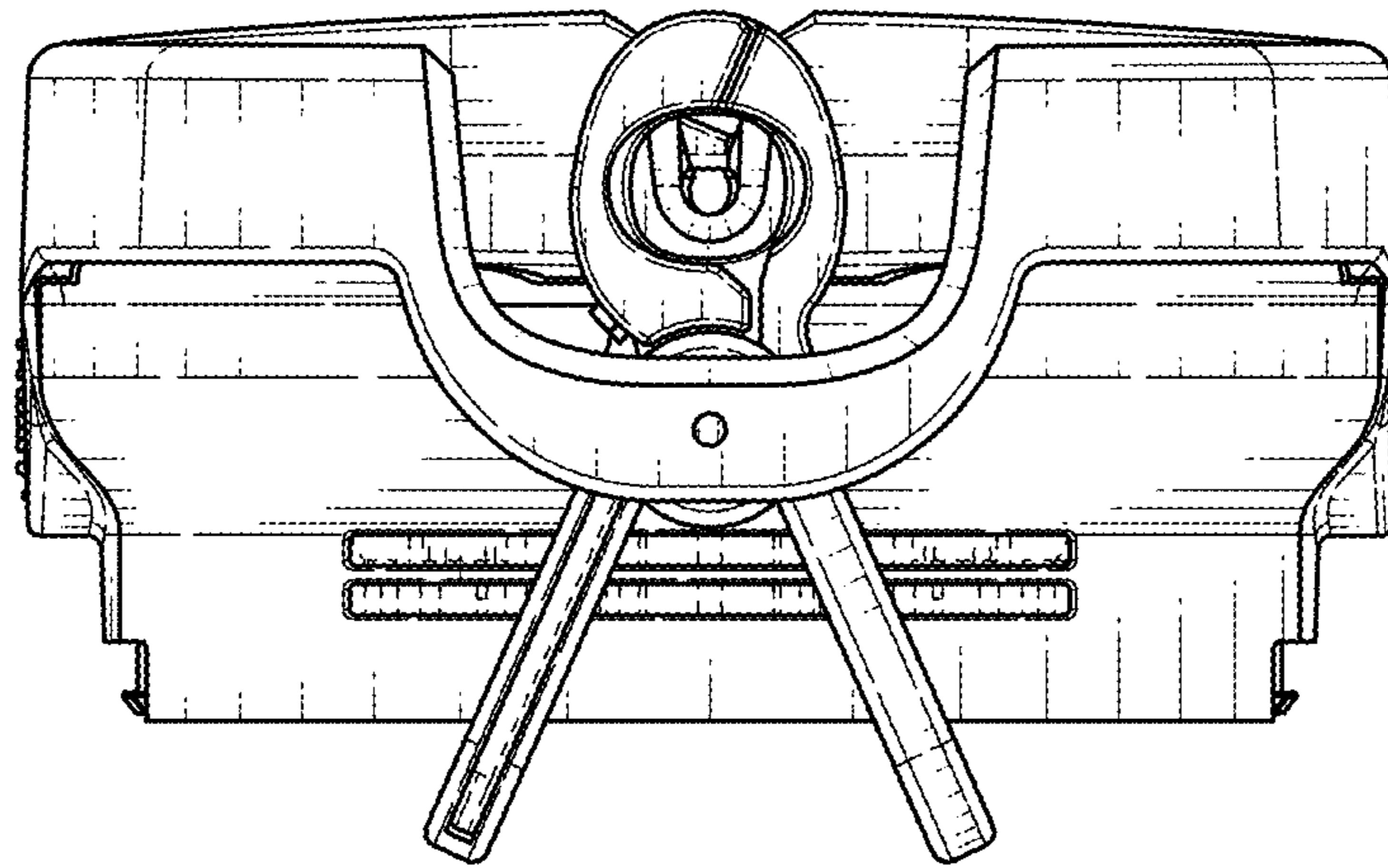


FIG. 3

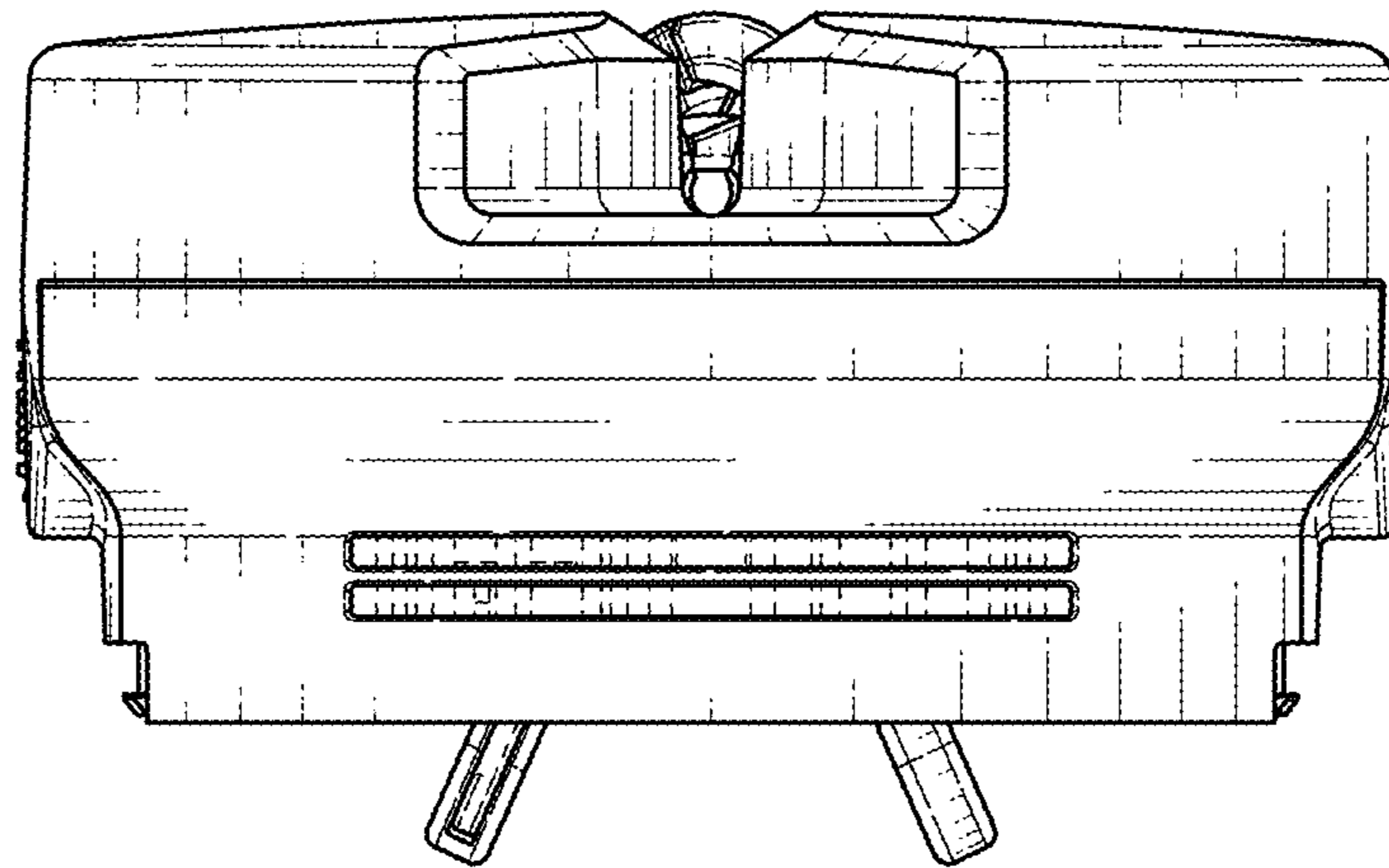


FIG. 4

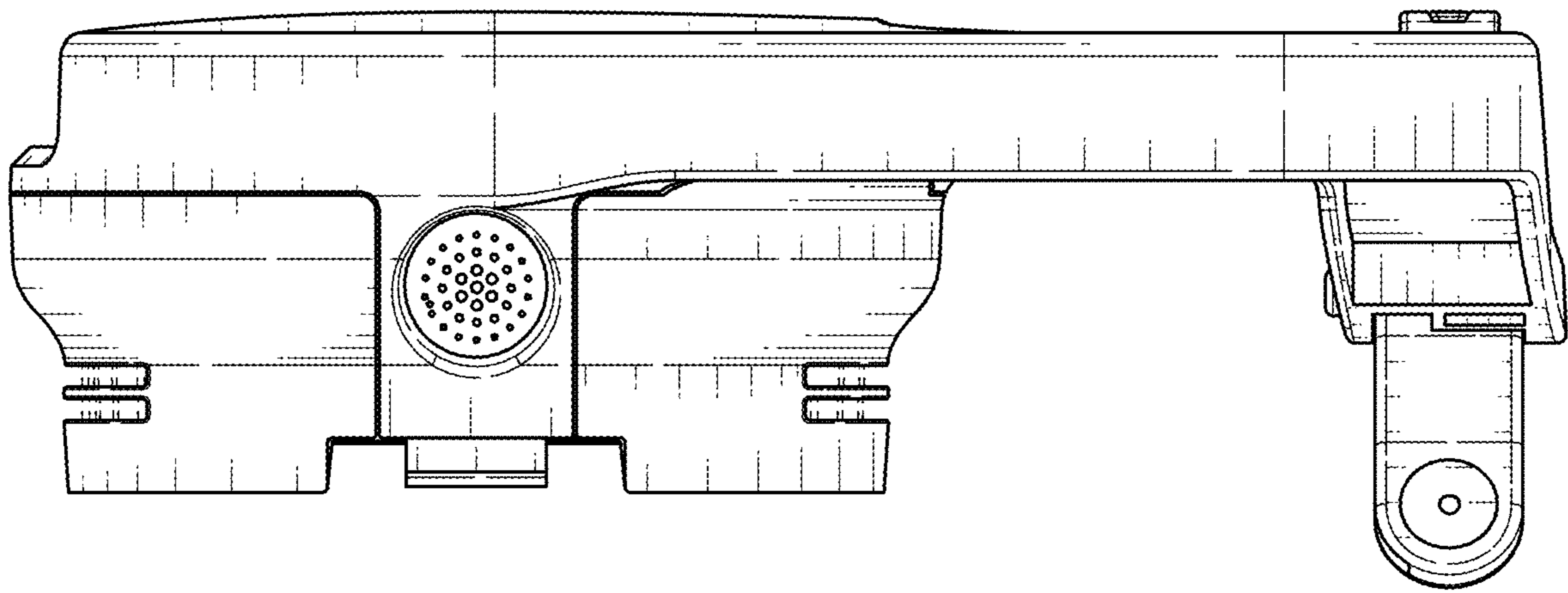


FIG. 5

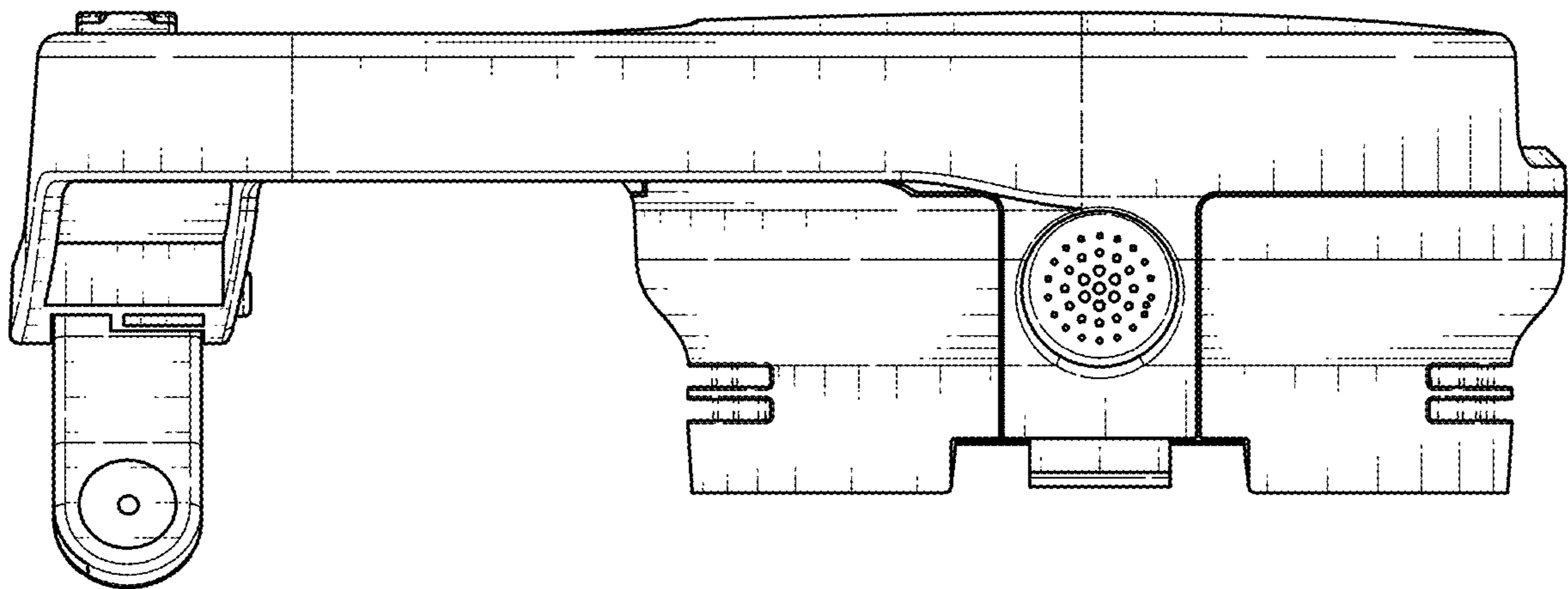


FIG. 6

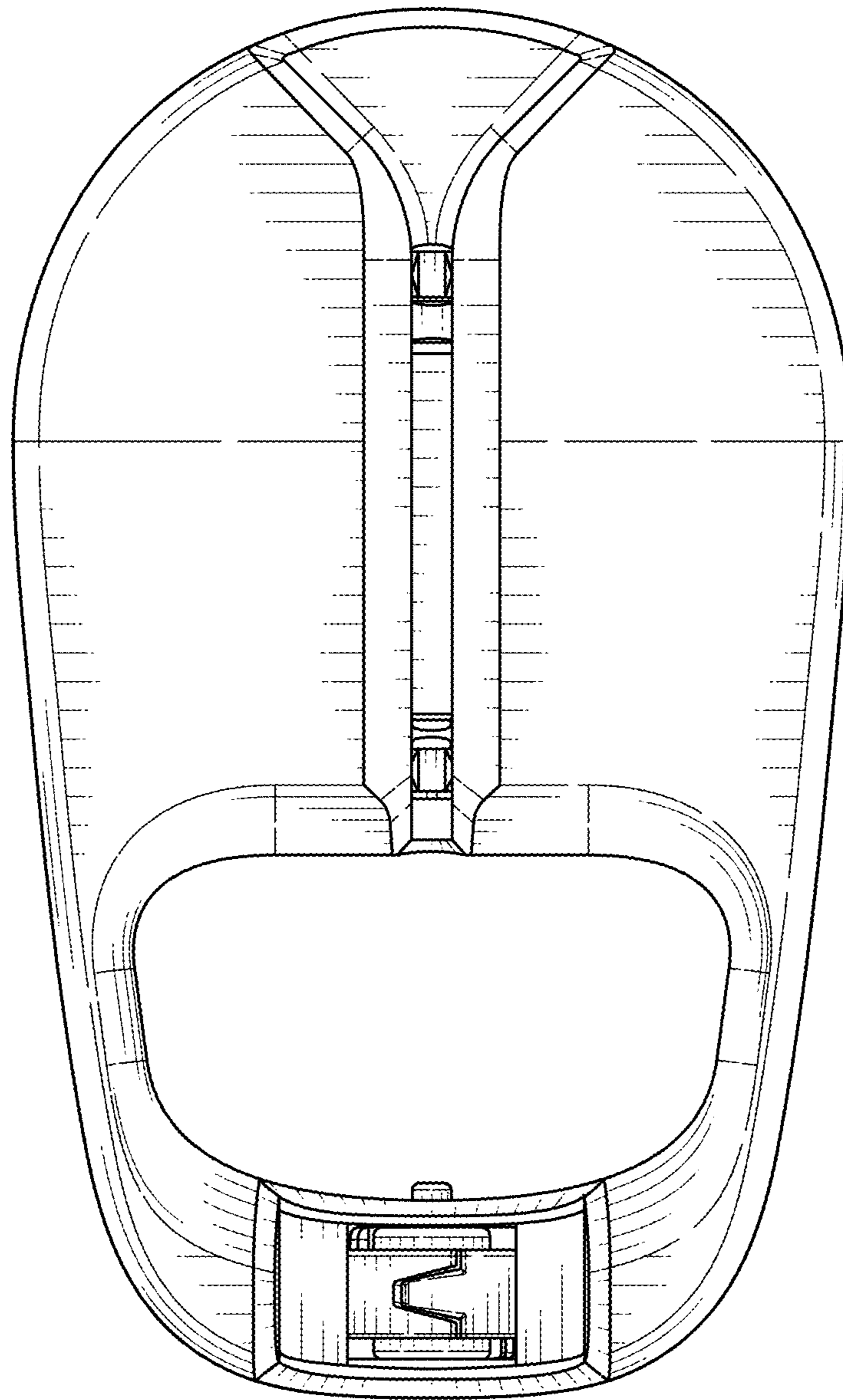


FIG. 7

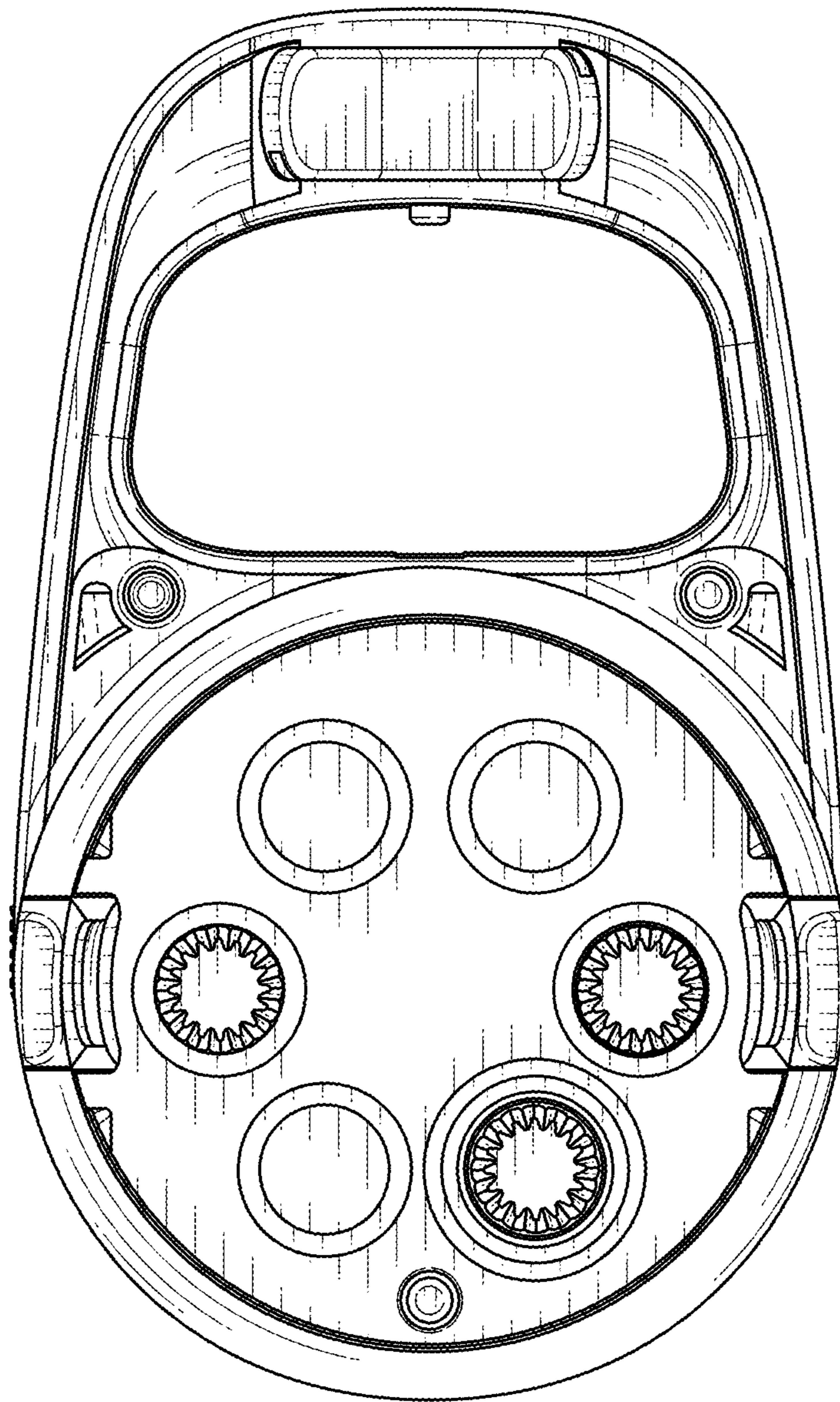


FIG. 8

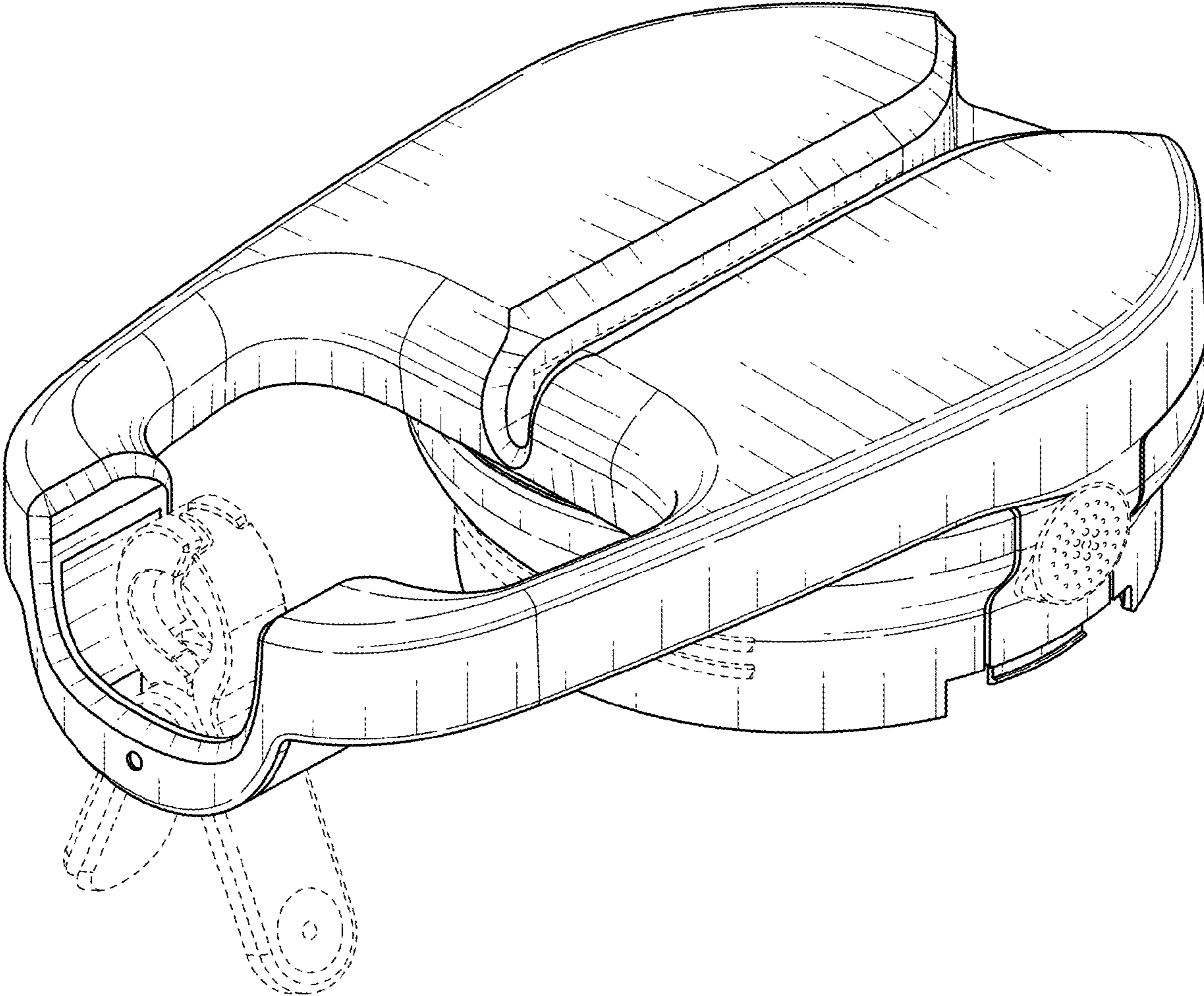


FIG. 9

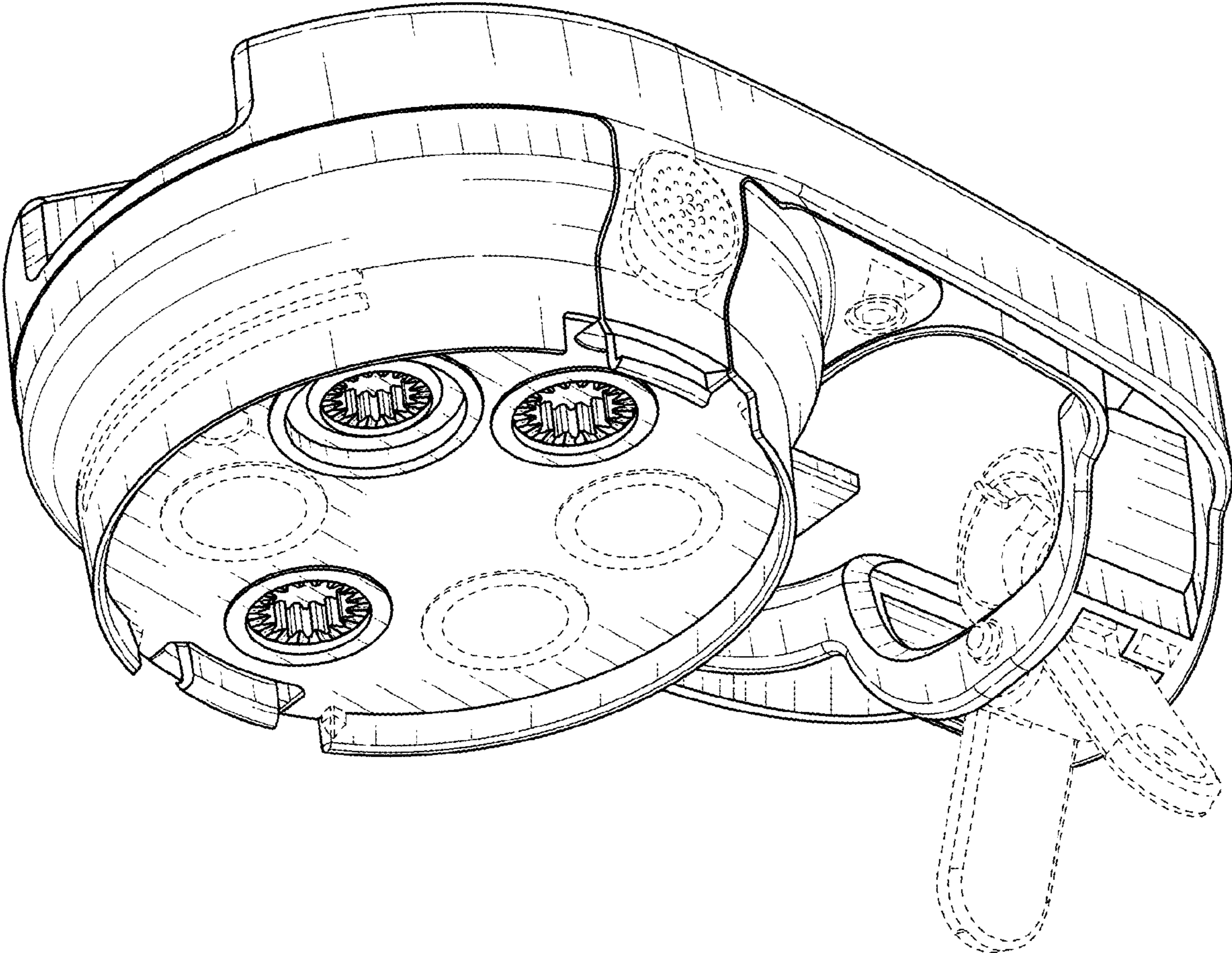


FIG. 10

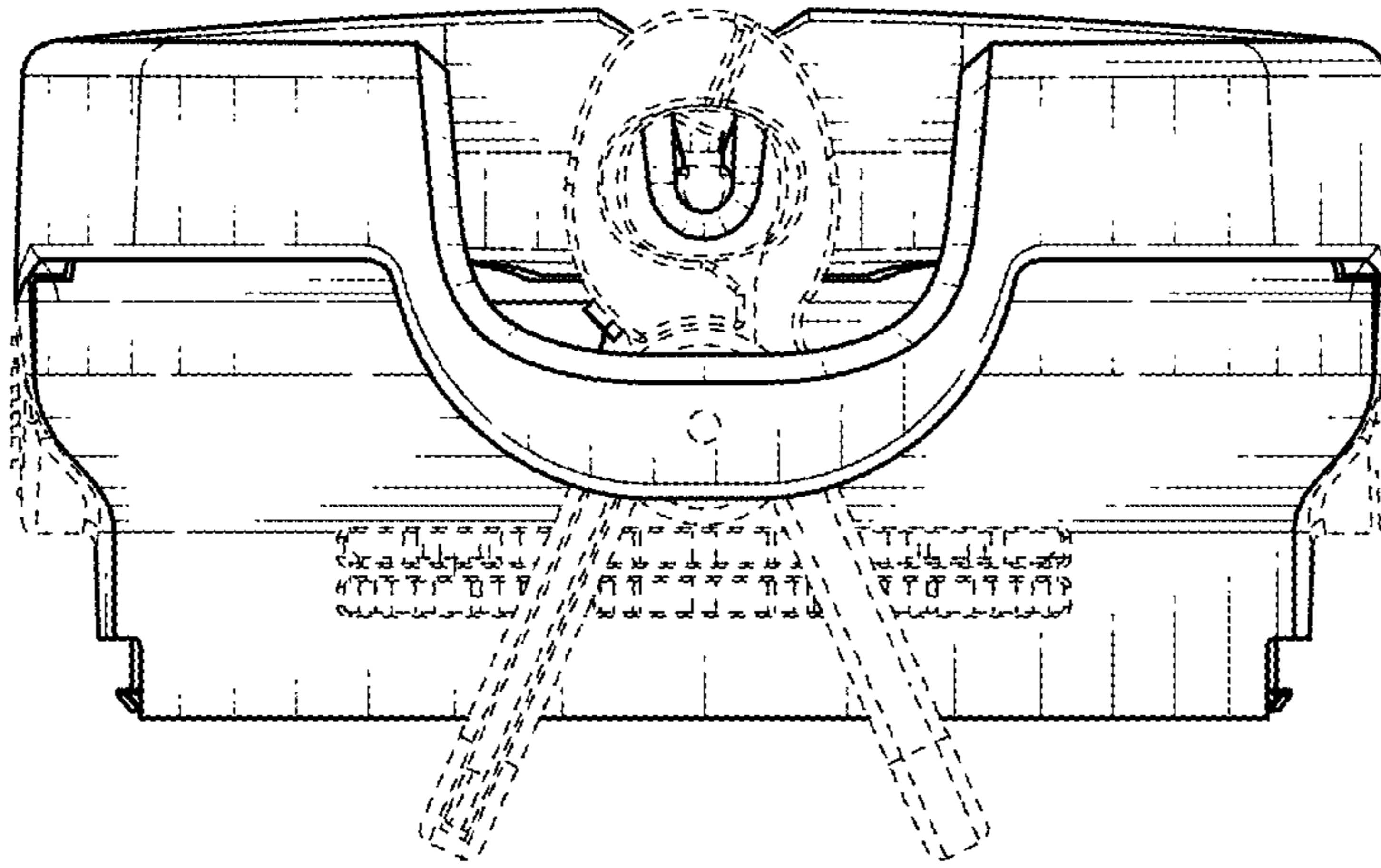


FIG. 11

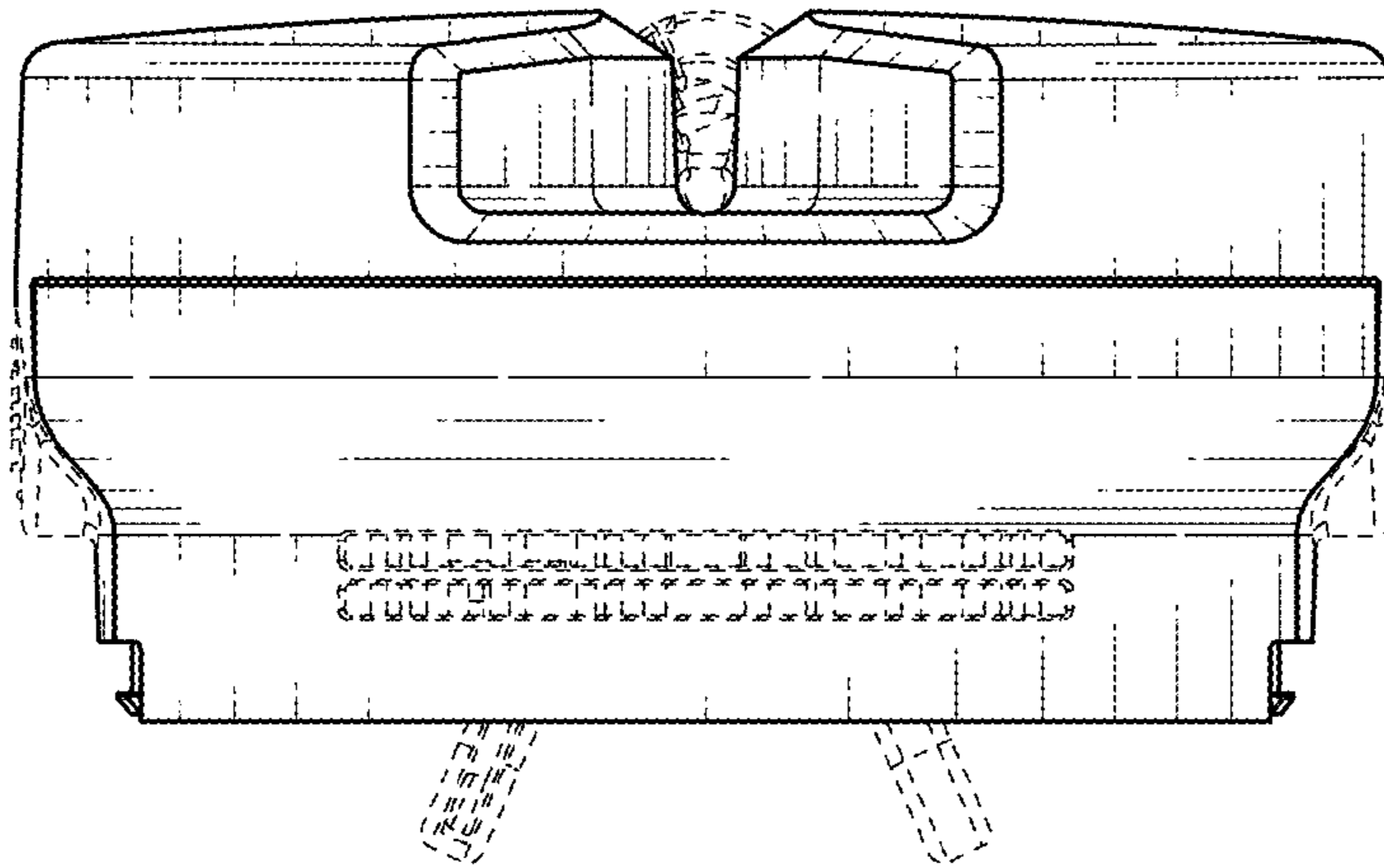


FIG. 12

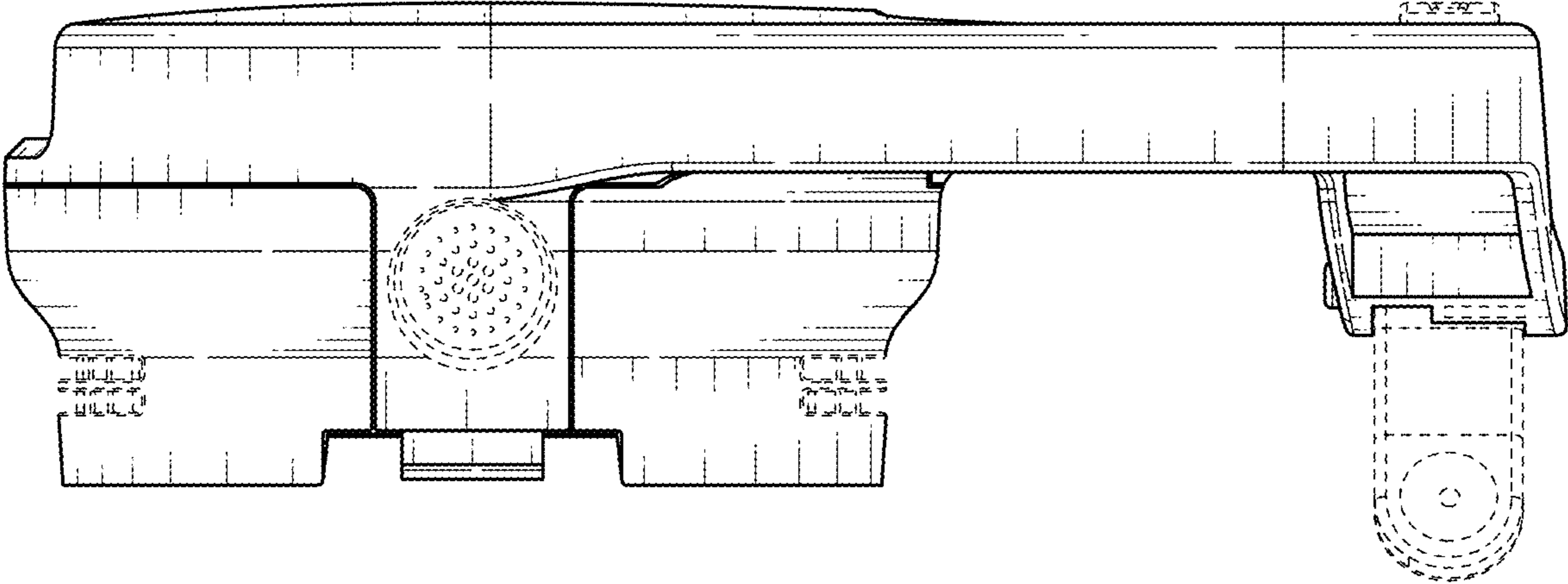


FIG. 13

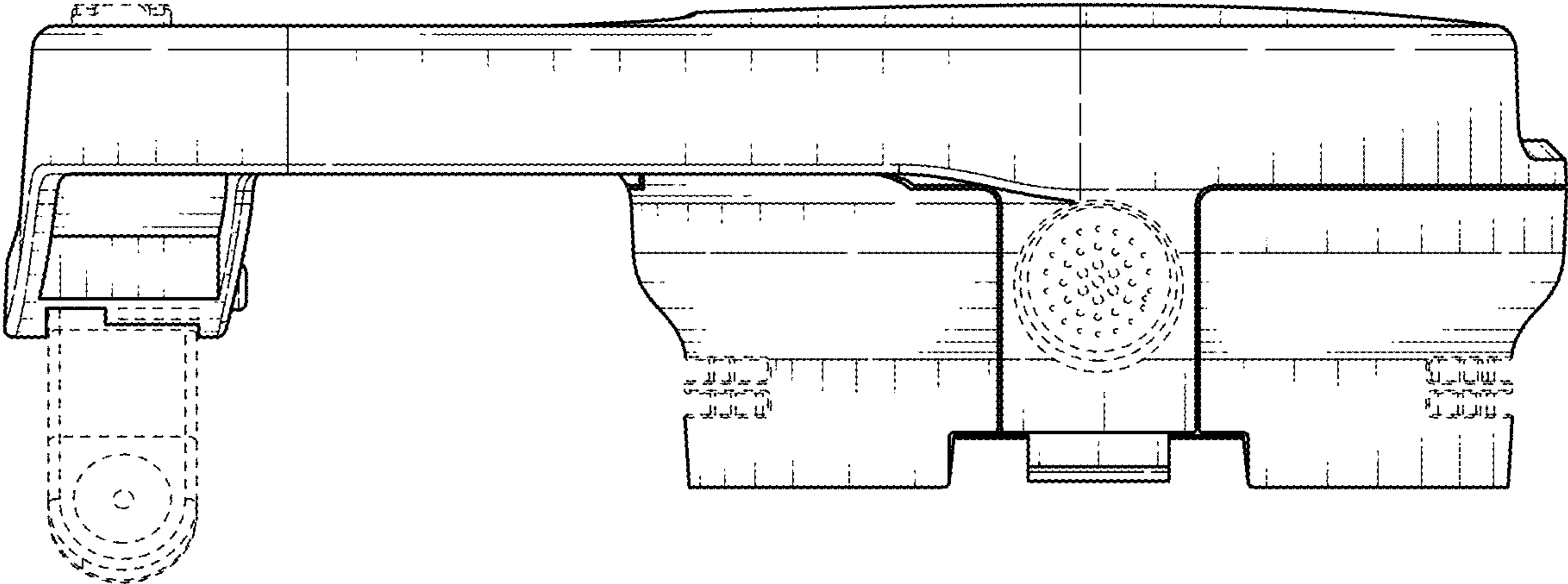


FIG. 14

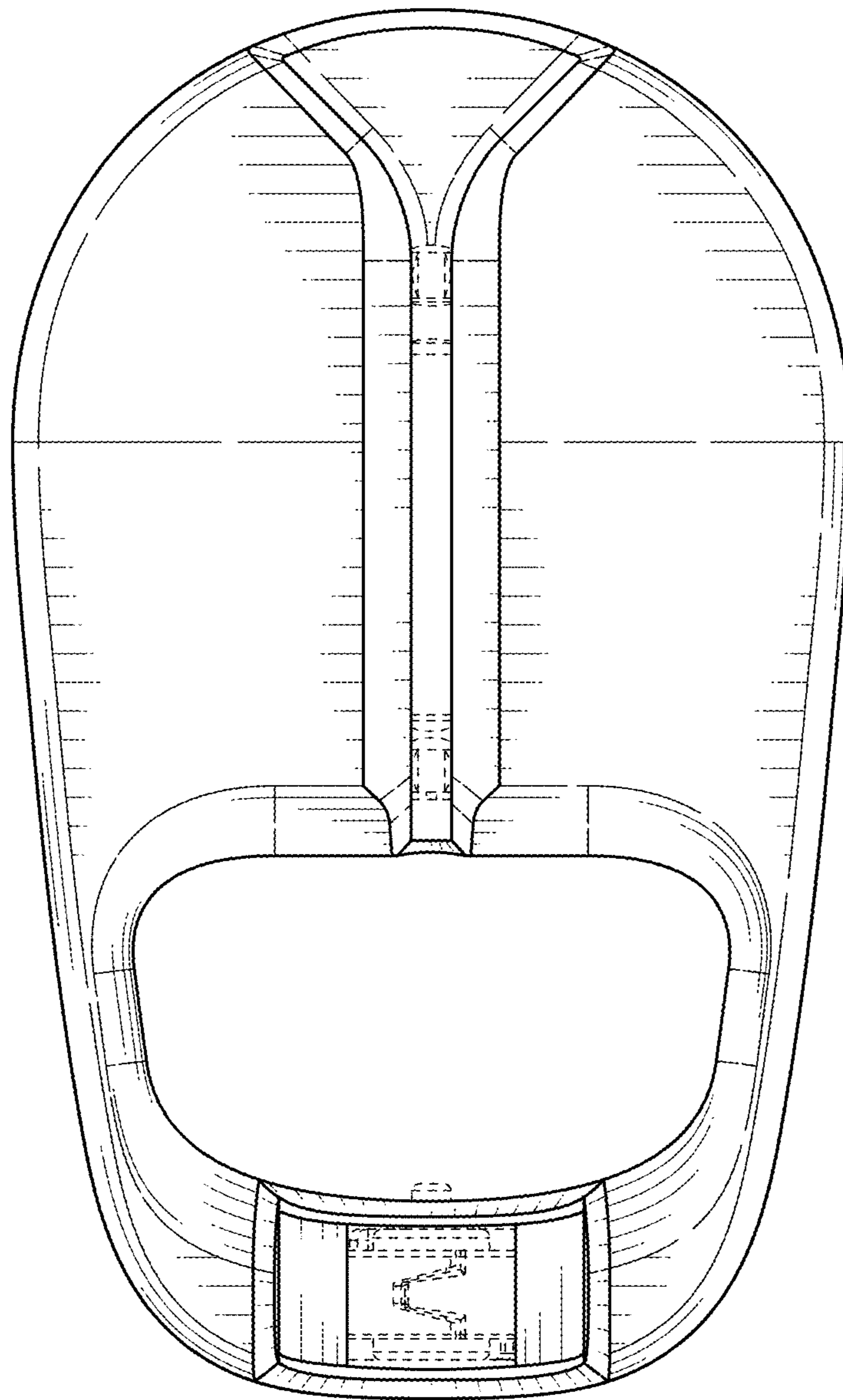


FIG. 15

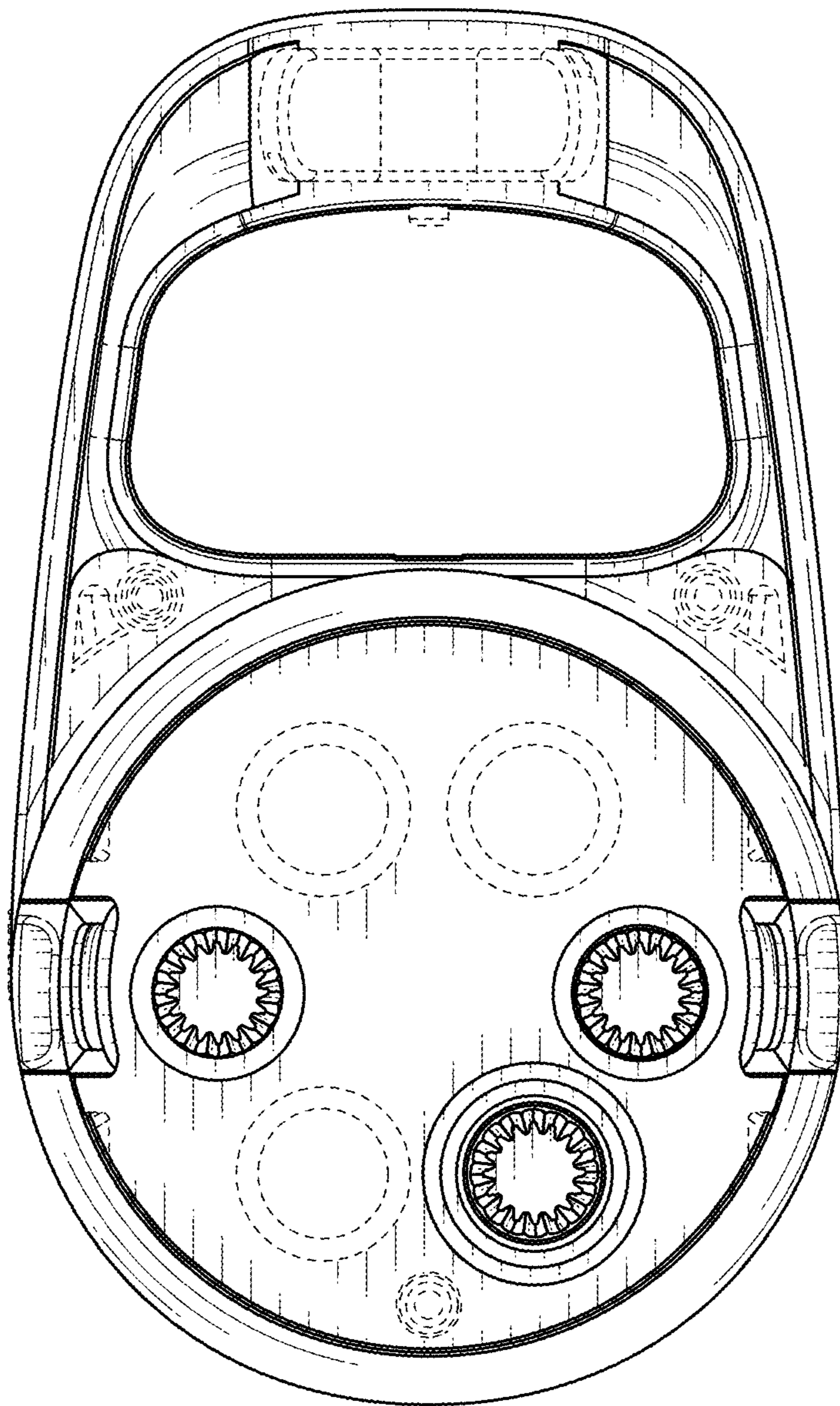


FIG. 16