



US00D978347S

(12) **United States Design Patent**
McLellan et al.

(10) **Patent No.:** **US D978,347 S**

(45) **Date of Patent:** **** Feb. 14, 2023**

(54) **OTOSCOPE**

A61B 1/00048; A61B 1/00101; A61B
1/00066; A61B 1/042

See application file for complete search history.

(71) Applicant: **Tympa Health Technologies Limited,**
London (GB)

(56) **References Cited**

(72) Inventors: **Steve McLellan,** Ickleton (GB); **Liam
McGuinness,** Ickleton (GB); **Kester
Page,** Ickleton (GB); **Krishan Ramdoo,**
London (GB)

U.S. PATENT DOCUMENTS

(73) Assignee: **Tympa Health Technologies Limited,**
London (GB)

2,240,402	A *	4/1941	Joroslow	G02B 25/02 600/168
D130,601	S *	12/1941	Peck et al.	D24/137
D166,842	S *	5/1952	Armbruster	D24/137
3,605,730	A *	9/1971	Hotchkiss	G02B 23/2484 362/198
D409,018	S *	5/1999	Deuschle	D8/354
D454,136	S *	3/2002	Deuschle	D14/447
D652,045	S *	1/2012	Hong	D14/447
8,182,416	B1 *	5/2012	Hosaka	A61B 1/0052 600/146
D689,502	S *	9/2013	Belitz	D14/447

(**) Term: **15 Years**

(Continued)

(21) Appl. No.: **35/511,153**

OTHER PUBLICATIONS

(22) Filed: **Nov. 2, 2020**

IF Design. Tympa System. No date specified, <https://ifdesign.com/en/winner-ranking/project/tympa-system/316686> (Year: 0).*

(80) **Hague Agreement Data**

(Continued)

Int. Filing Date: **Nov. 2, 2020**

Int. Reg. No.: **DM/212073**

Int. Reg. Date: **Nov. 2, 2020**

Int. Reg. Pub. Date: **Jan. 15, 2021**

Primary Examiner — Darcey E Gottschalk

(74) *Attorney, Agent, or Firm* — Tucker Ellis LLP;
Michael G. Craig

(30) **Foreign Application Priority Data**

(57) **CLAIM**

The ornamental design for an otoscope, as shown and described.

May 1, 2020 (EM) 007851167

(51) **LOC (14) Cl.** **24-02**

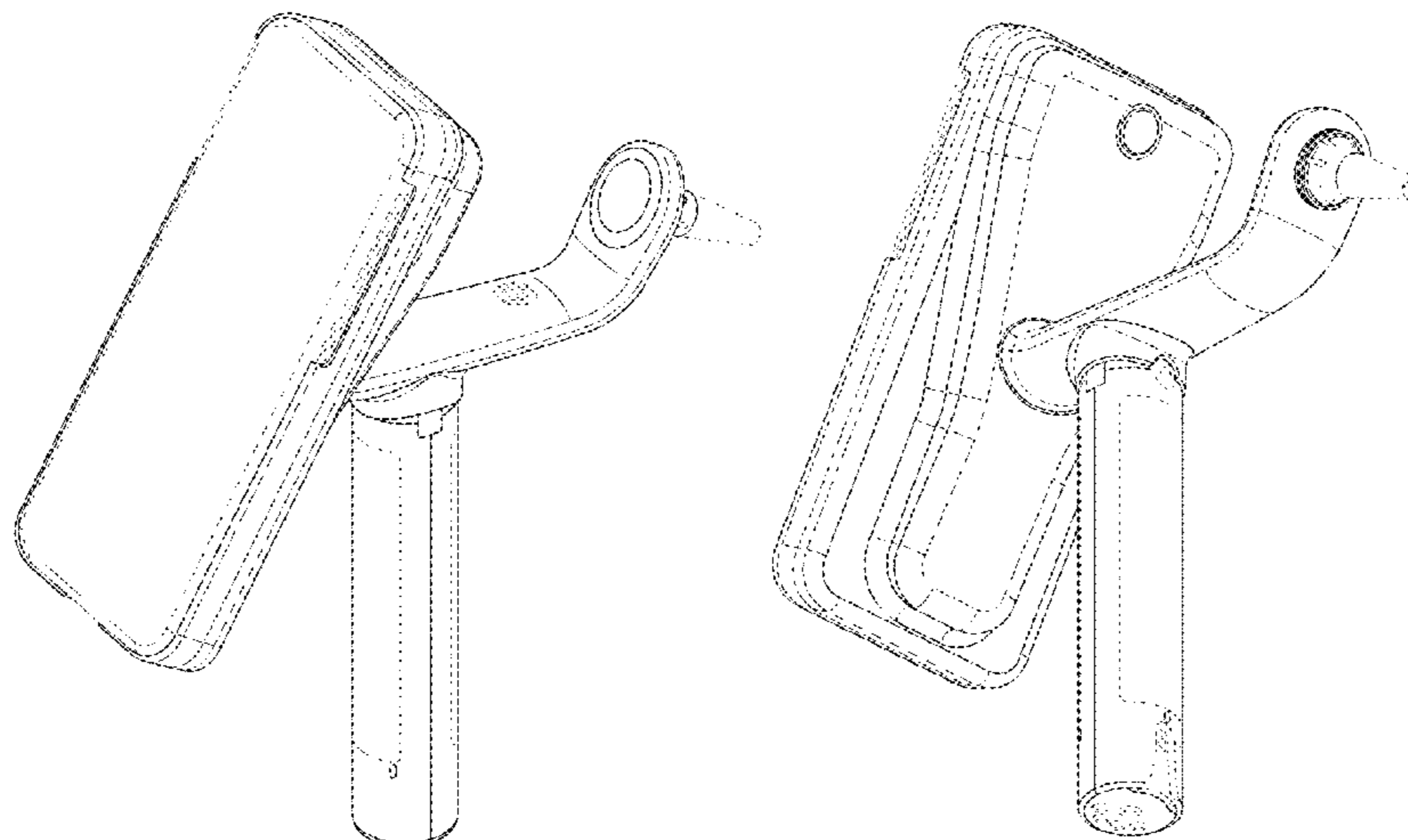
(52) **U.S. Cl.**
USPC **D24/137**

(58) **Field of Classification Search**
USPC D13/162, 184; D14/203.8, 341, 346,
D14/447, 451; D24/137, 134
CPC A61B 1/227; A61B 1/32; A61B 1/00052;

DESCRIPTION

- 1. Otoscope
- 1.1 : Perspective
- 1.2 : Front
- 1.3 : Back
- 1.4 : Top
- 1.5 : Bottom
- 1.6 : Right
- 1.7 : Left

(Continued)



1.8 : Perspective

1.9 : Perspective

1.10 : Perspective

The broken lines in the drawings illustrate portions of the otoscope that form no part of the claimed design.

1 Claim, 10 Drawing Sheets

(56)

References Cited

U.S. PATENT DOCUMENTS

D776,275 S * 1/2017 Ben-Moshe D24/137
2018/0125345 A1 * 5/2018 Rebel A61B 1/00052
2020/0221932 A1 * 7/2020 Ouyang A61B 1/00034
2021/0068645 A1 * 3/2021 Elson A61B 5/6898

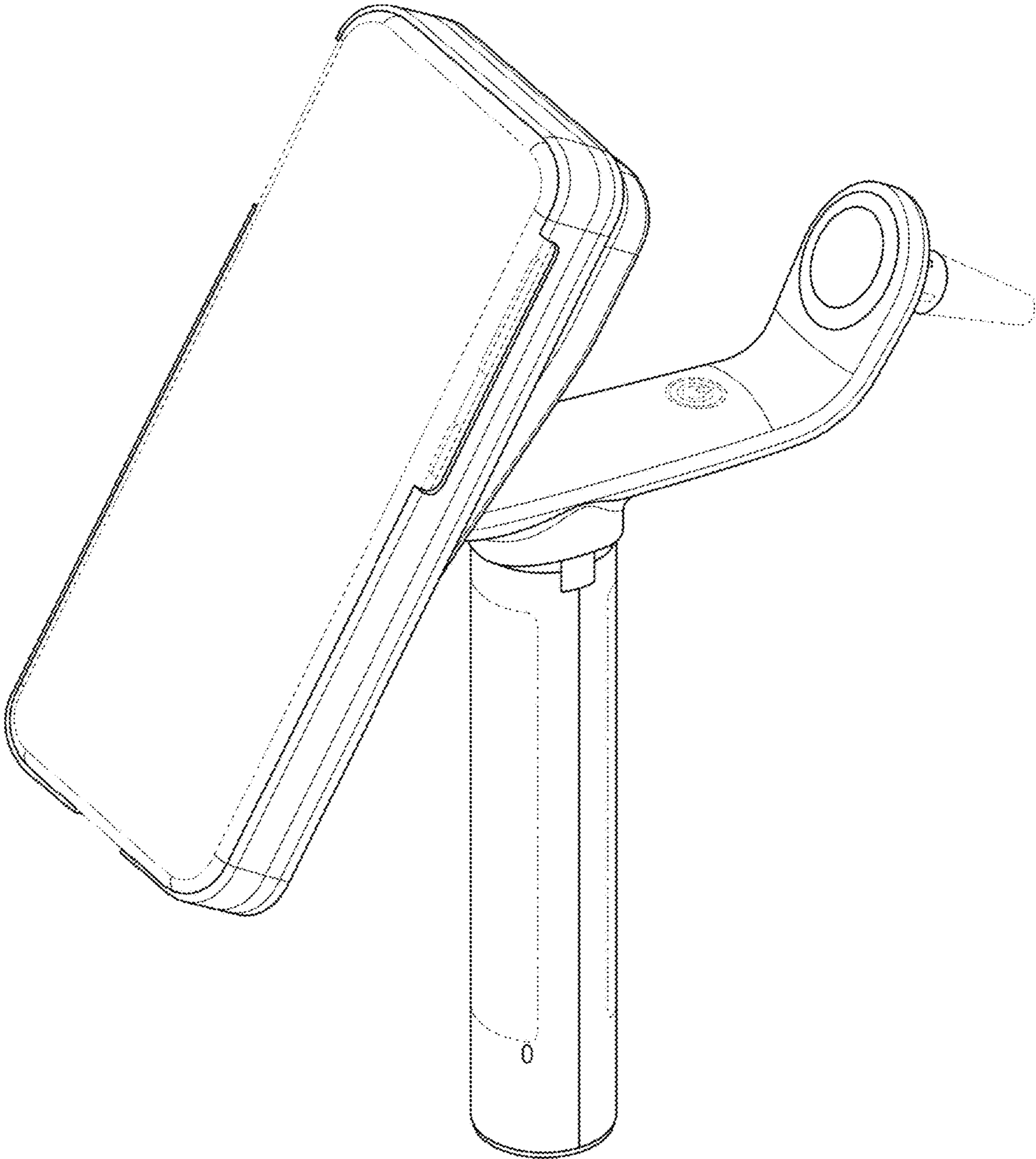
OTHER PUBLICATIONS

Twitter. @TympaHealth. Mar. 15, 2022. https://mobile.twitter.com/TympaHealth/status/1503750513669591046?ext=HHwWjMCy4f_Hst4pAAAA (Year: 2022).*

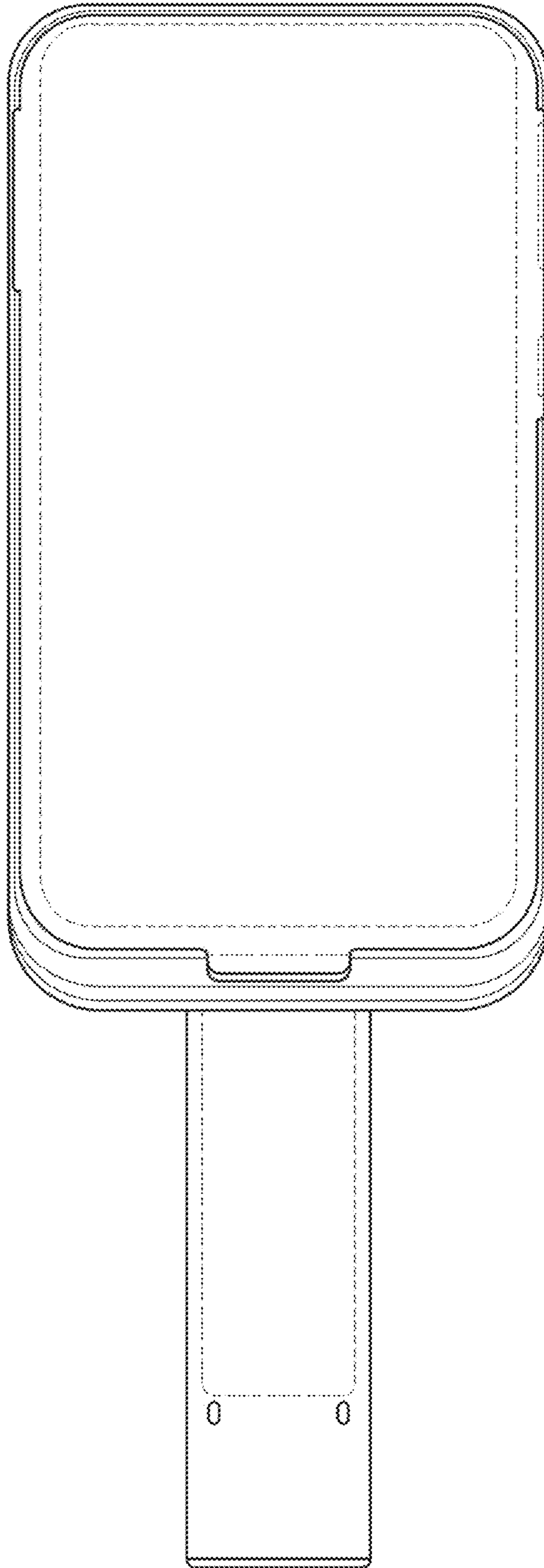
Team Consulting. Another award for the Tympa System! Jan. 6, 2021. <https://www.team-consulting.com/insights/another-award-for-the-tympa-system/> (Year: 2021).*

* cited by examiner

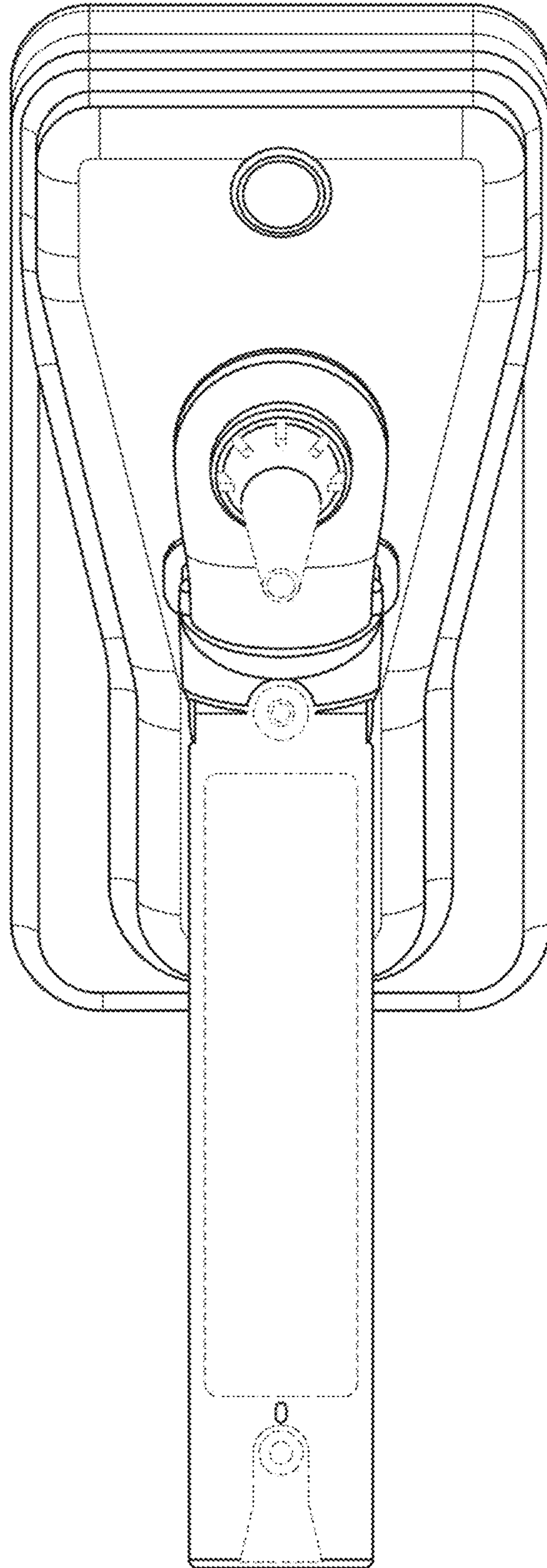
1.1



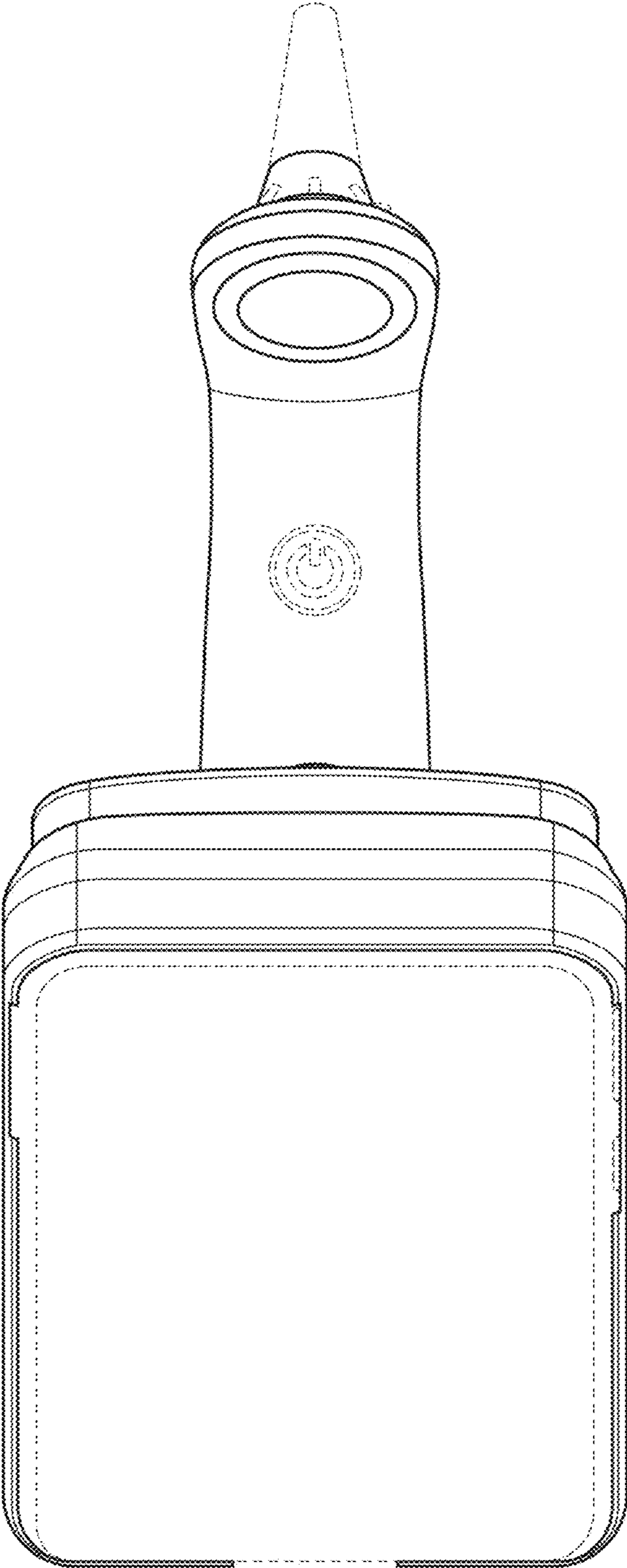
1.2



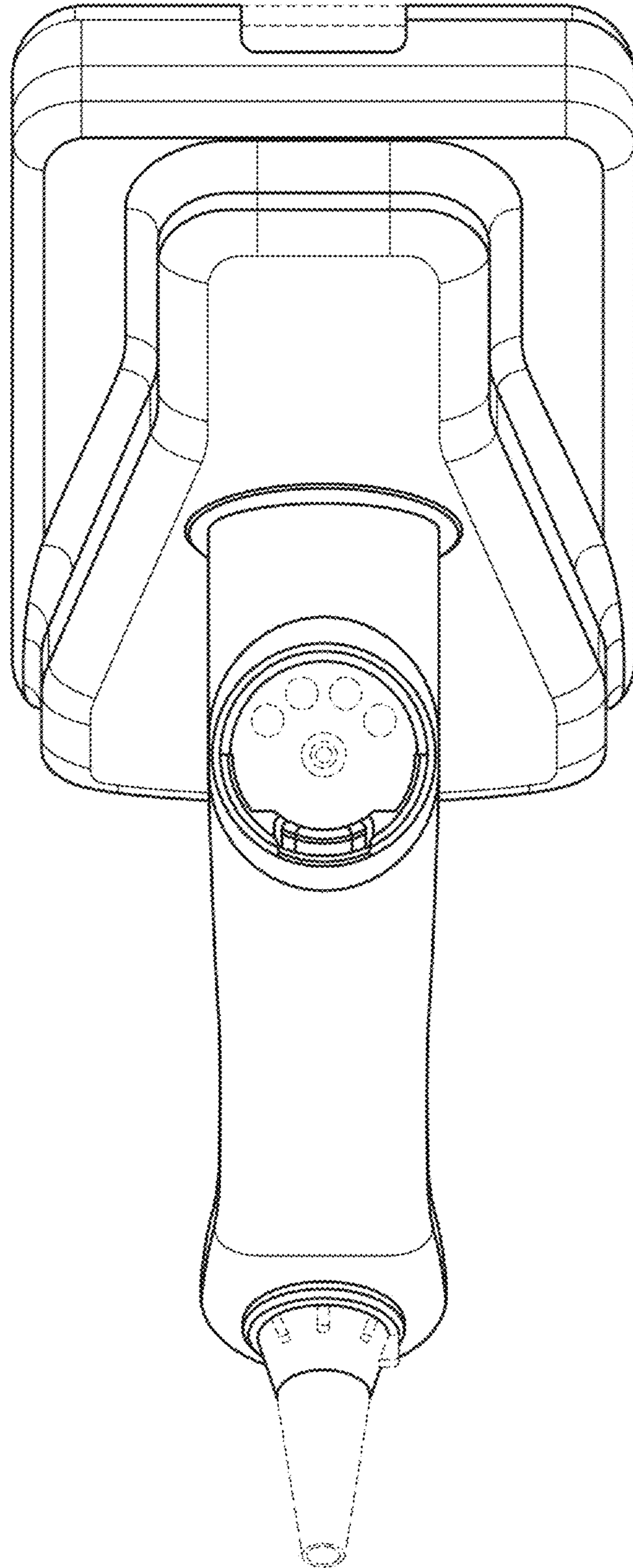
1.3



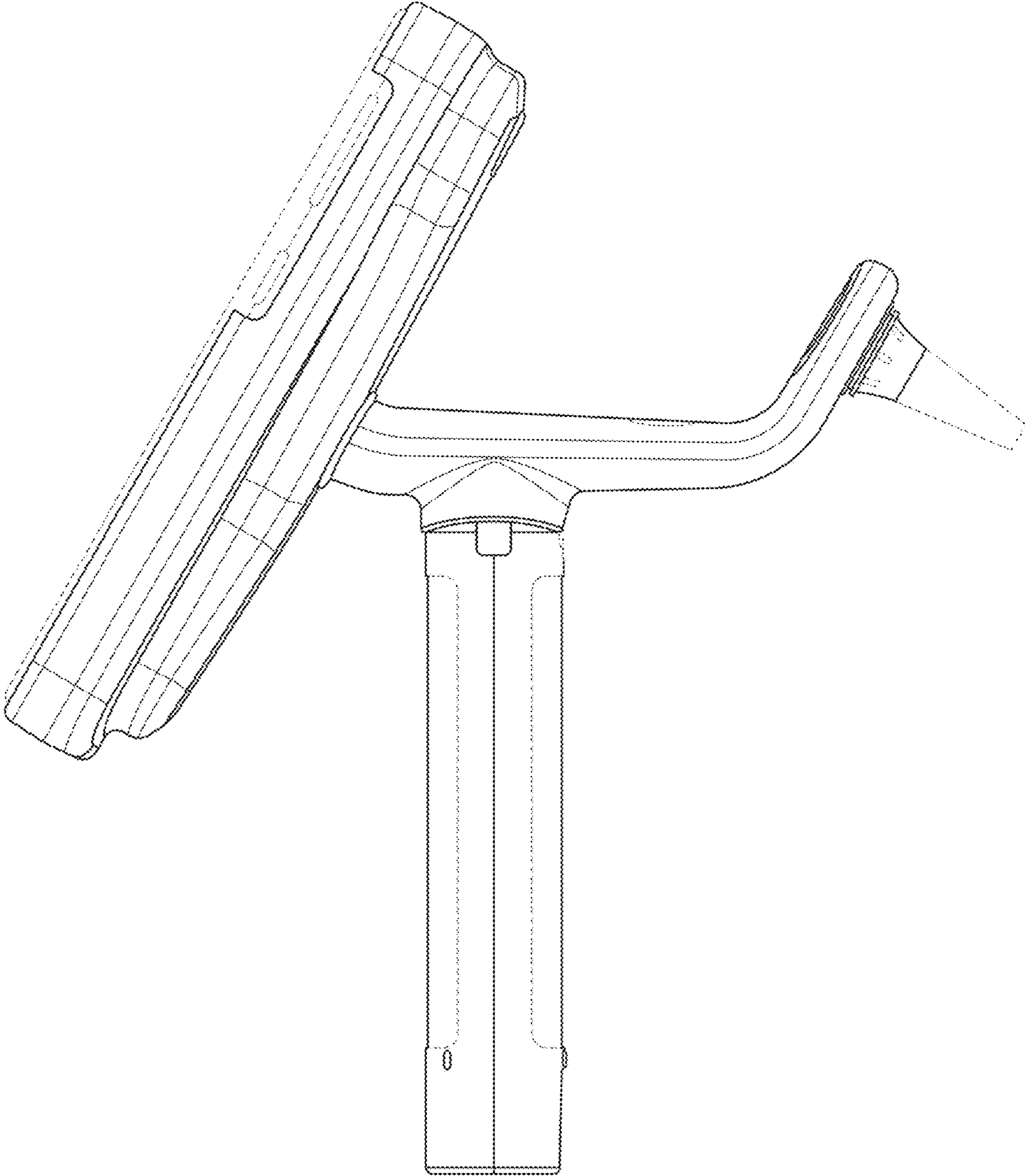
1.4



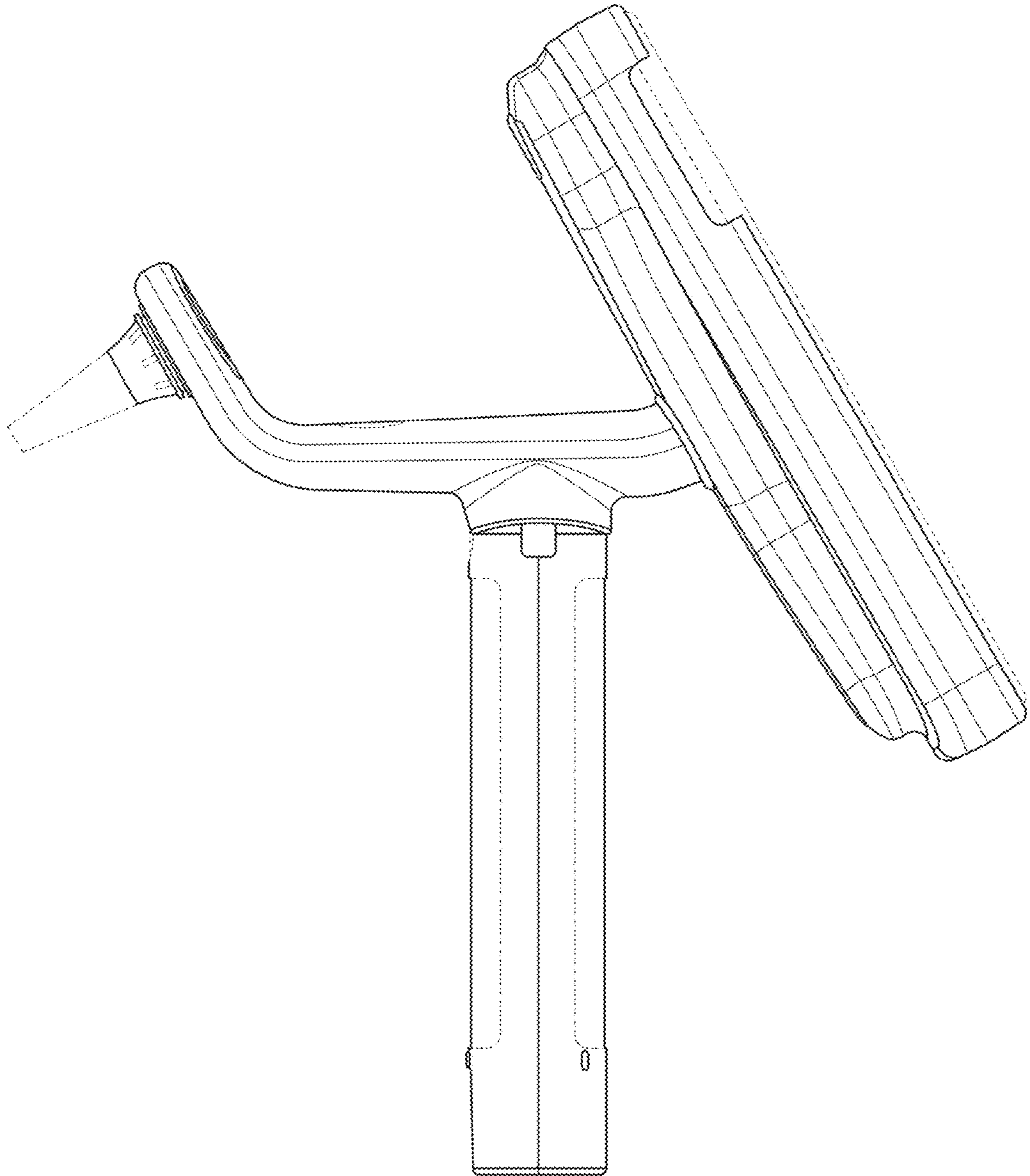
1.5



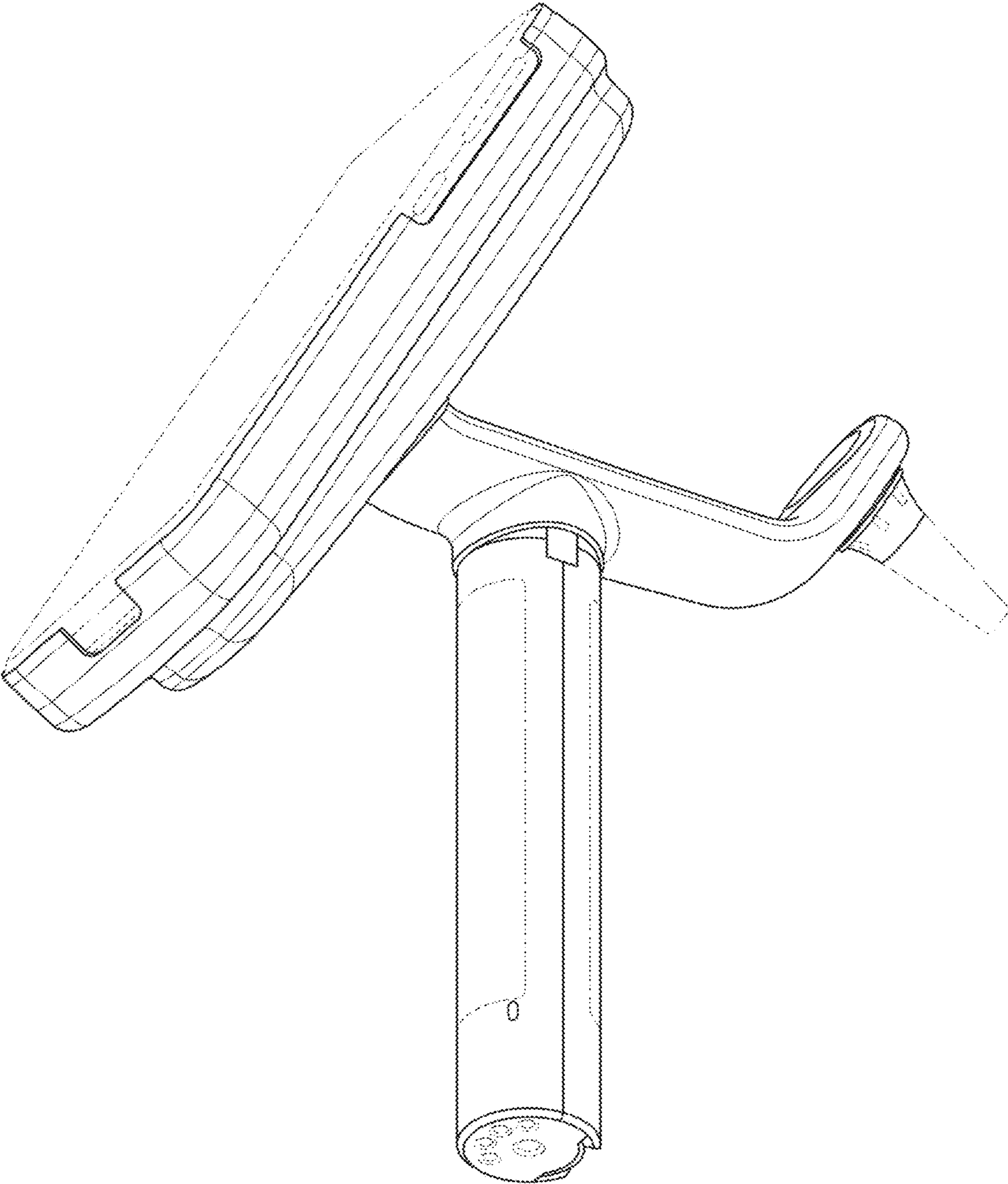
1.6



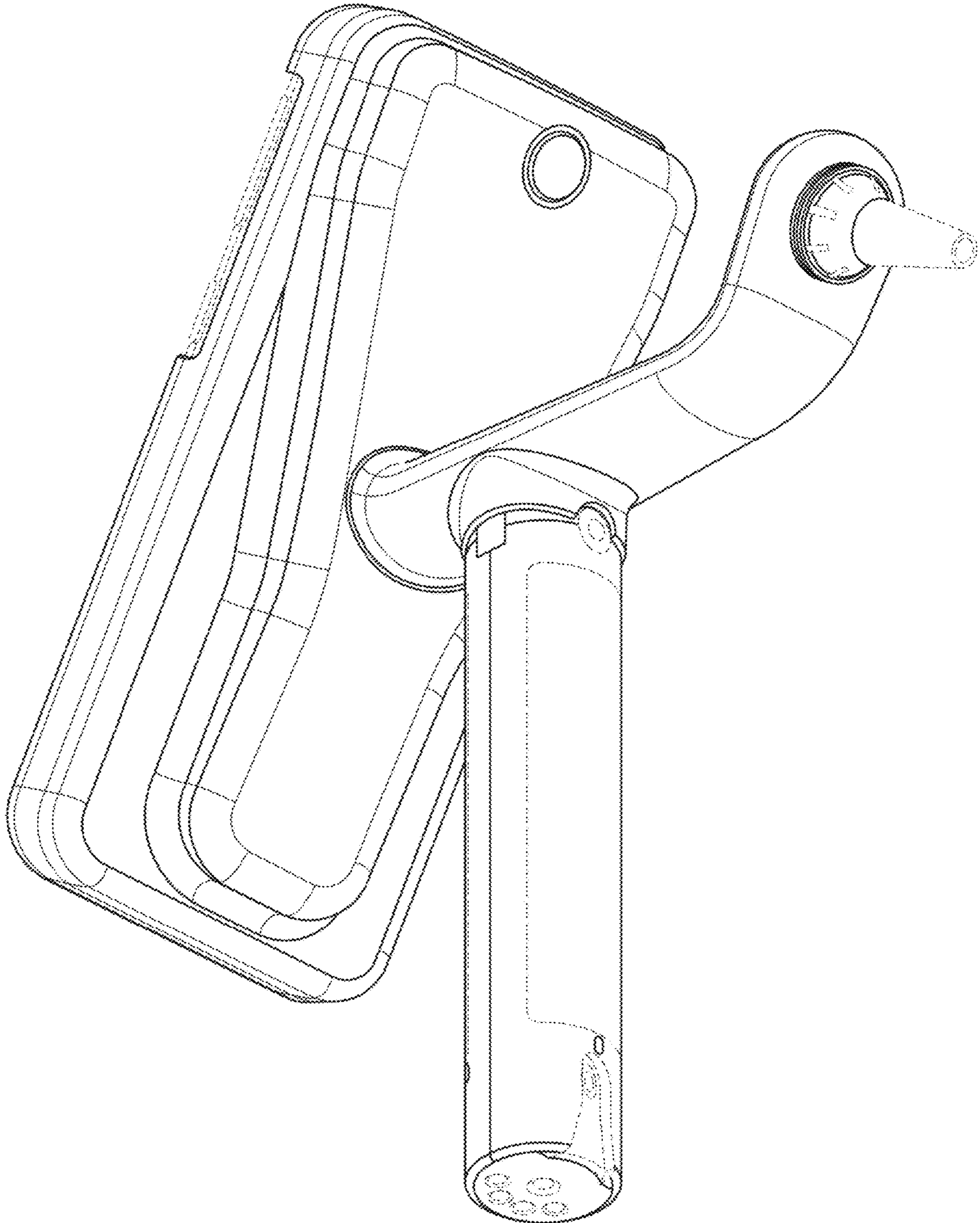
1.7



1.8



1.9



1.10

