

US00D978345S

(12) **United States Design Patent** (10) **Patent No.:** **US D978,345 S**  
**Green** (45) **Date of Patent:** **\*\* Feb. 14, 2023**

(54) **DRAIN ASSEMBLY FOR AN OSTOMY BAG**  
(71) Applicant: **GV SOLUTIONS LLC**, Camp Hill, PA (US)  
(72) Inventor: **Marion R. Green**, Camp Hill, PA (US)  
(73) Assignee: **GV Solutions LLC**, Camp Hill, PA (US)

D600,796 S \* 9/2009 Inoue ..... D24/118  
7,879,015 B2 2/2011 Villefrance et al.  
D639,421 S \* 6/2011 Sano ..... D24/129  
D910,170 S 2/2021 Scalise et al.  
11,000,400 B2 5/2021 Grum-Schwensen et al.  
11,065,144 B2 7/2021 Nielsen et al.  
2020/0046543 A1 2/2020 Scalise et al.  
2021/0251795 A1 8/2021 Holroyd et al.  
2021/0251796 A1 8/2021 Holroyd et al.  
2022/0142808 A1 5/2022 Weinberg et al.

(\*\*) Term: **15 Years**

(21) Appl. No.: **29/857,898**

(22) Filed: **Oct. 26, 2022**

(51) **LOC (14) Cl.** ..... **24-02**

(52) **U.S. Cl.**  
USPC ..... **D24/129**

(58) **Field of Classification Search**  
USPC ..... D24/118, 127, 108, 128, 111  
CPC ..... A61F 5/442; A61F 5/4405; A61F 5/441;  
A61F 5/4407; A61M 3/02  
See application file for complete search history.

(56) **References Cited**

**U.S. PATENT DOCUMENTS**

D291,491 S \* 8/1987 Larkin ..... D24/118  
4,735,613 A \* 4/1988 Bellin ..... A61M 5/1483  
D24/111  
D323,389 S \* 1/1992 Aoki ..... D24/117  
D324,566 S \* 3/1992 Schmidt ..... D24/118  
D365,146 S \* 12/1995 Olson ..... D24/112  
D367,704 S \* 3/1996 Cotter ..... D24/111  
D378,699 S \* 4/1997 Niedospial ..... D24/112  
D380,543 S \* 7/1997 Piontek ..... D24/118  
D382,639 S \* 8/1997 Musgrave ..... D24/129  
D387,425 S \* 12/1997 Niedospial ..... D24/112  
D407,815 S \* 4/1999 Piontek ..... D24/108  
6,726,667 B2 4/2004 Leise, Jr. et al.  
7,223,260 B2 5/2007 Hansen et al.  
7,476,220 B2 1/2009 Lillegaard

**FOREIGN PATENT DOCUMENTS**

AU 6343680 A 4/1981  
CA 1160126 A 1/1984  
CA 3049266 A 7/2018  
CN 1265772 C 7/2006

(Continued)

*Primary Examiner* — David G Muller  
(74) *Attorney, Agent, or Firm* — Saxton & Stump, LLC

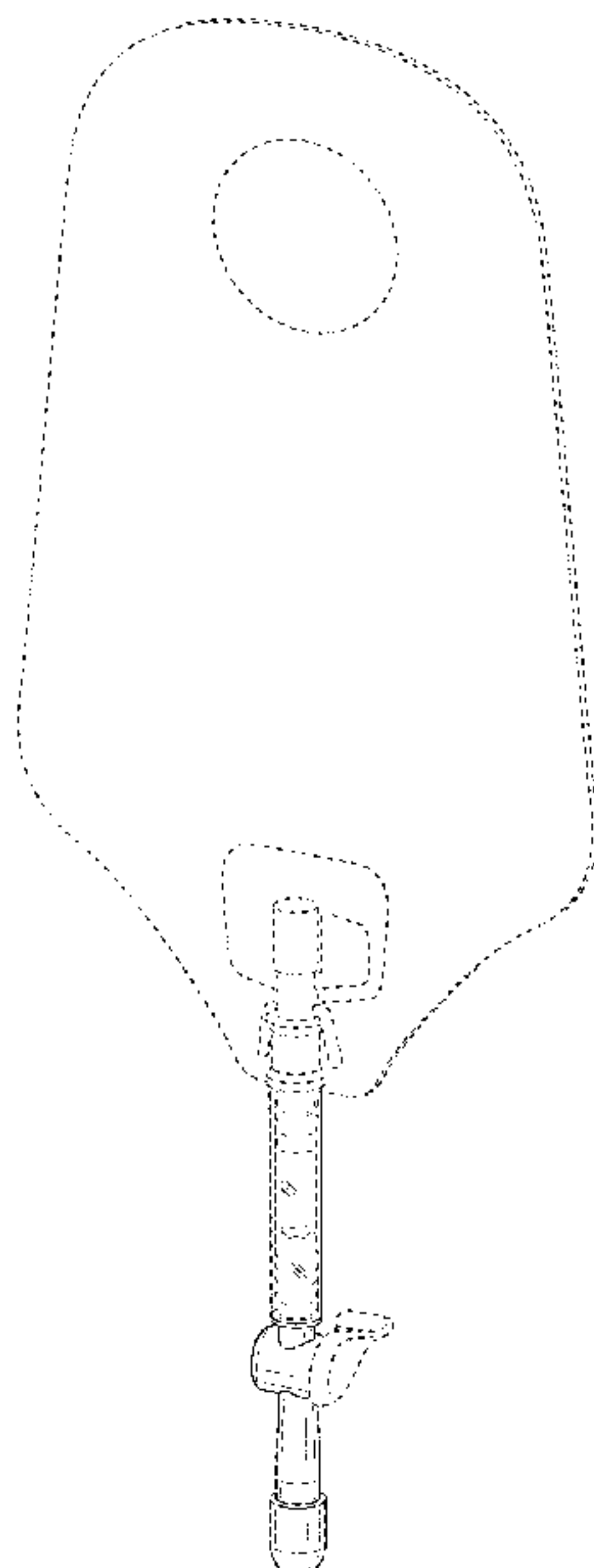
(57) **CLAIM**

The ornamental design for a drain assembly for an ostomy bag, as shown and described.

**DESCRIPTION**

FIG. 1 is a perspective view of a drain assembly for an ostomy bag;  
FIG. 2 is a right elevation view of the drain assembly for an ostomy bag;  
FIG. 3 is a rear elevation view of the drain assembly for an ostomy bag;  
FIG. 4 is a top view looking down on the drain assembly for an ostomy bag; and,  
FIG. 5 is a bottom view looking up on the drain assembly for an ostomy bag.  
The broken lines appearing in the Figures depict environmental subject matter that forms no part of the claimed design.

**1 Claim, 3 Drawing Sheets**



(56)

**References Cited**

FOREIGN PATENT DOCUMENTS

CN	1311791	C	4/2007
CN	106535836	B	12/2018
EP	1221916	B1	8/2004
EP	2642956	B1	7/2017
JP	5261363	B2	5/2013
WO	2016008495	A1	1/2016
WO	2019221830	A1	11/2019
WO	2021165675	A1	8/2021
WO	2021165676	A1	8/2021

\* cited by examiner

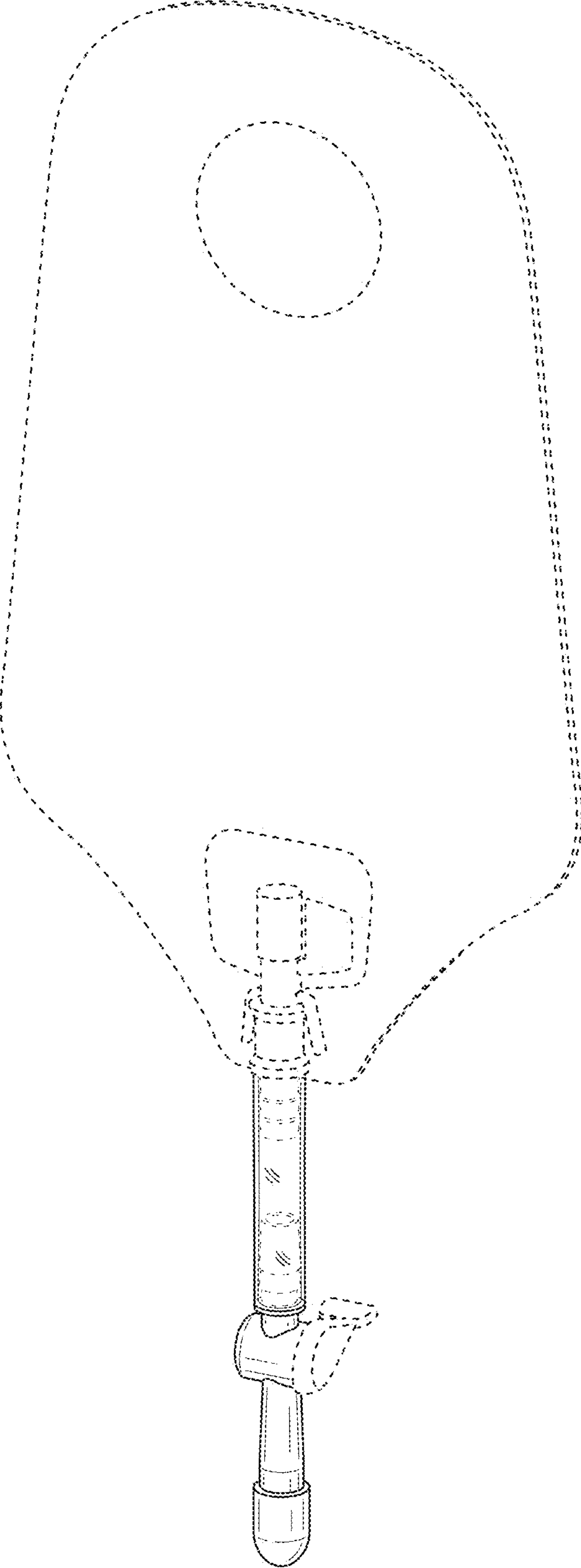
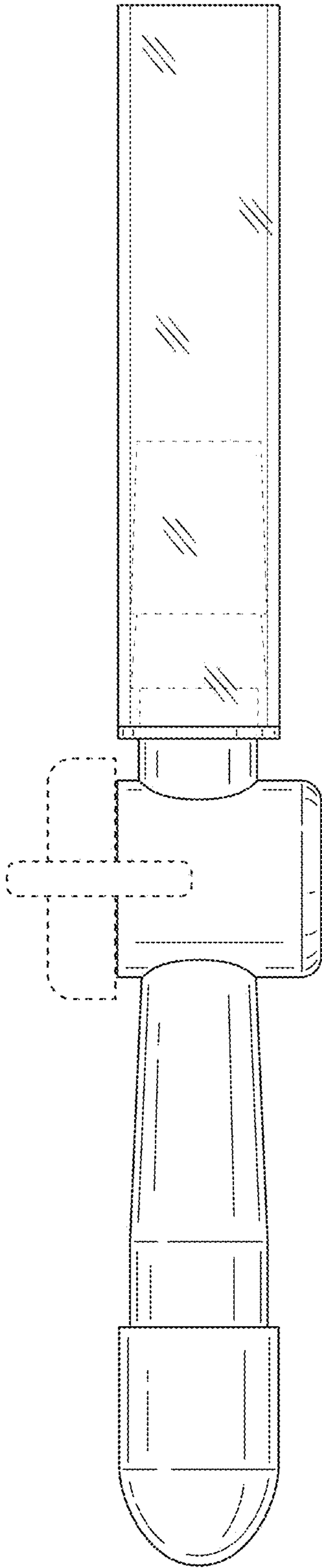
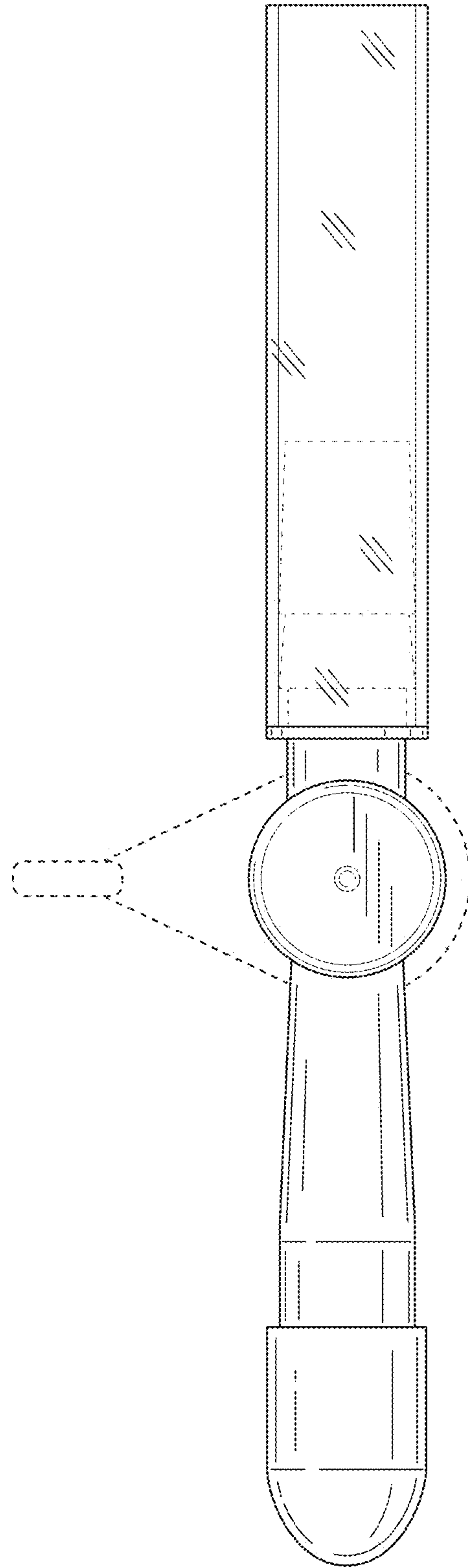


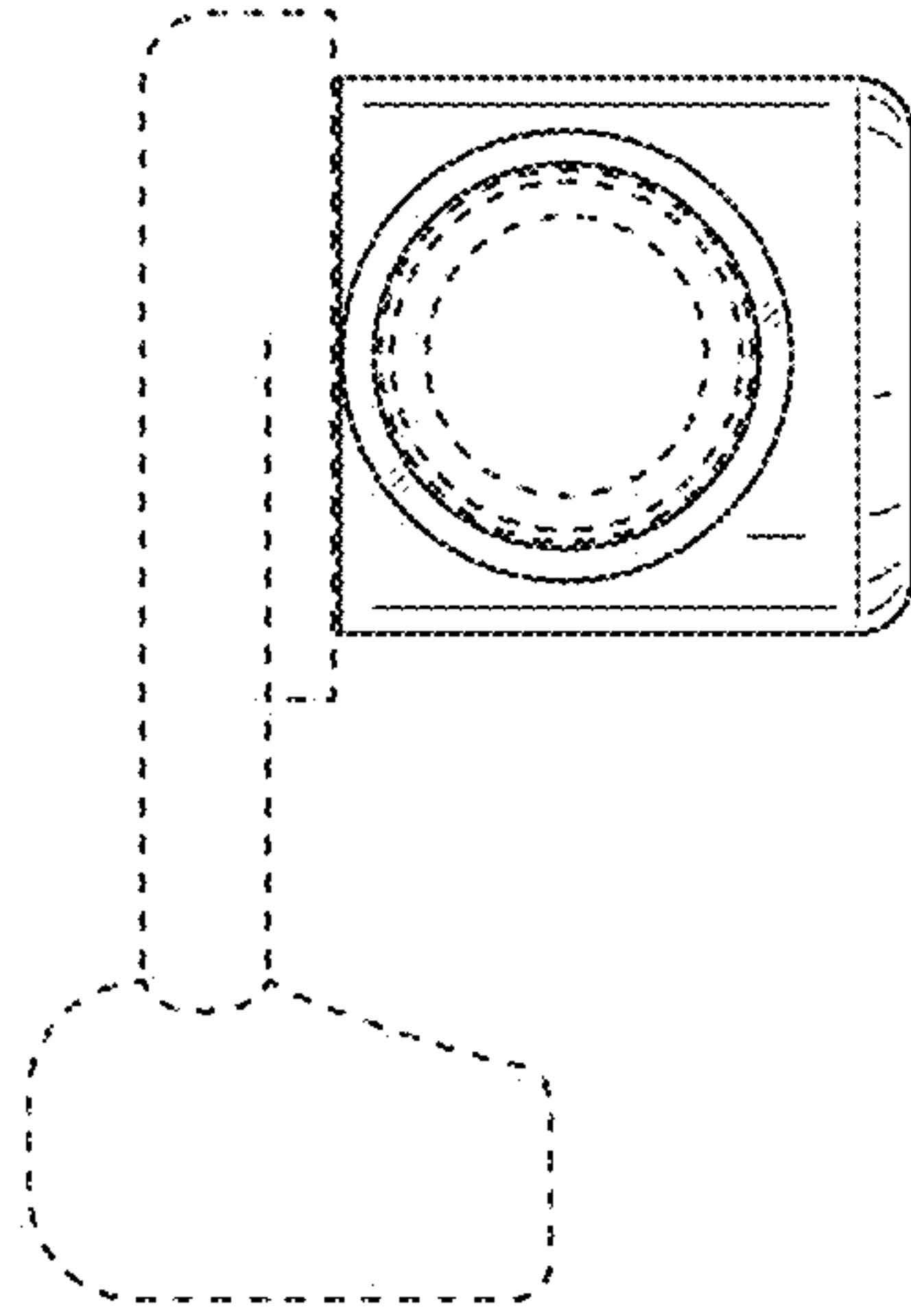
FIG. 1



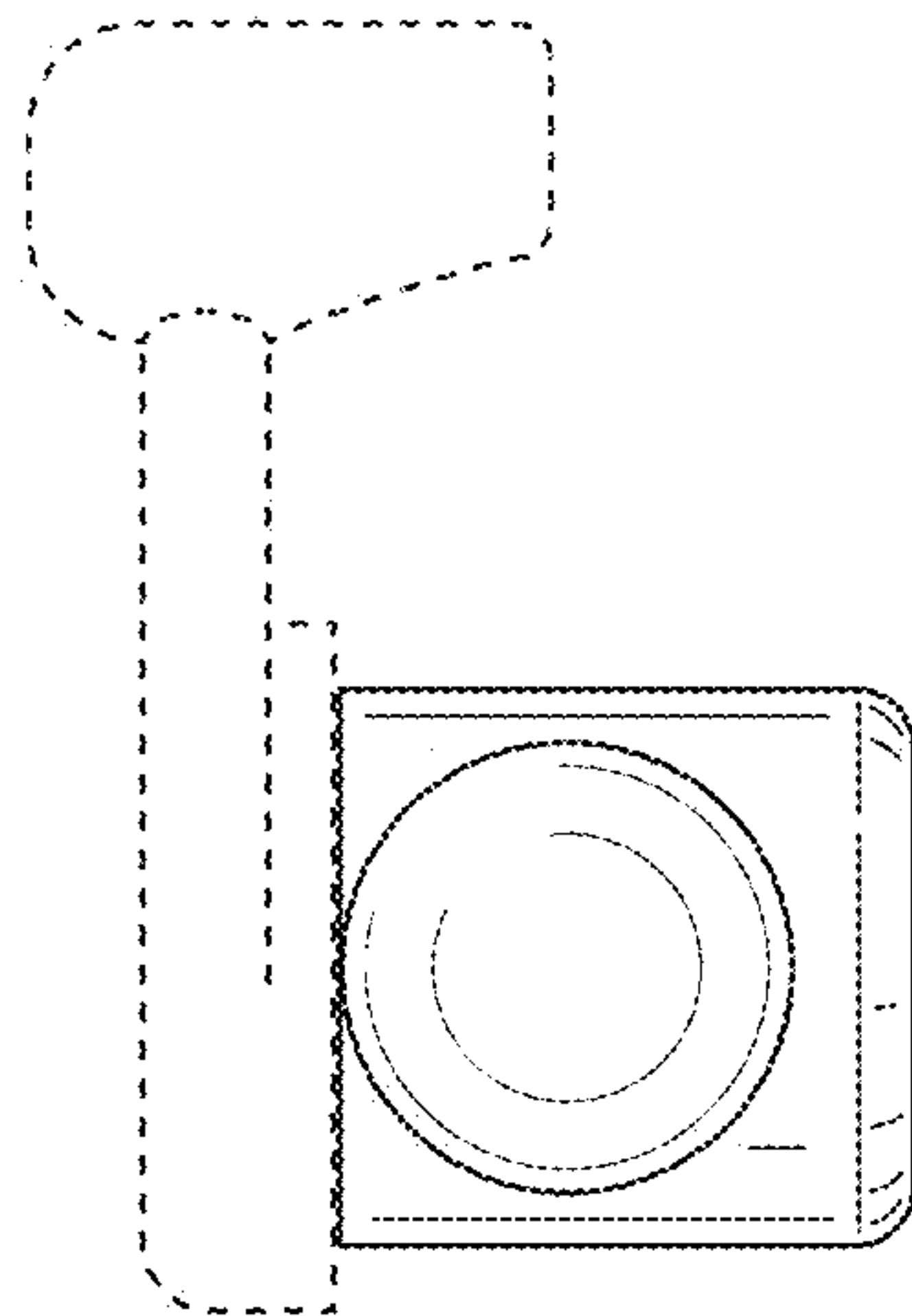
**FIG. 2**



**FIG. 3**



**FIG. 4**



**FIG. 5**