



US00D978344S

(12) **United States Design Patent**
Nann et al.

(10) **Patent No.:** **US D978,344 S**
(45) **Date of Patent:** **** Feb. 14, 2023**

(54) **THREE-WAY STOPCOCK**
(71) Applicant: **KARL STORZ SE & Co. KG**,
Tuttlingen (DE)
(72) Inventors: **Steffen Nann**, Tuttlingen (DE);
Michael Sauer, Tuttlingen (DE)
(73) Assignee: **KARL STORZ SE & CO. KG**,
Tuttlingen (DE)
(**) Term: **15 Years**
(21) Appl. No.: **29/708,283**
(22) Filed: **Oct. 4, 2019**

D318,734 S * 7/1991 Wyzgala D24/129
D407,488 S * 3/1999 Injev D24/133
6,488,649 B1 * 12/2002 Lichten A61B 17/3468
221/303
D483,487 S * 12/2003 Harding D24/129
7,226,433 B2 * 6/2007 Bonnette A61B 17/32037
604/164.01
D589,142 S * 3/2009 Guerrero D24/129
D611,599 S * 3/2010 Eisenkolb D24/138
D622,379 S * 8/2010 Singh D24/130
D638,930 S * 5/2011 Moehle D24/112
D674,090 S * 1/2013 Campo D24/138
D696,401 S * 12/2013 Campo D24/138
D755,377 S * 5/2016 Thouement D24/138
D782,038 S * 3/2017 Nagele D24/137
D798,448 S * 9/2017 Marchal D24/138
D820,444 S * 6/2018 Pansadoro D24/133
D894,378 S * 8/2020 Turturro D24/129

(Continued)

(30) **Foreign Application Priority Data**

Apr. 8, 2019 (EM) 006372090-0001

(51) **LOC (14) Cl.** **24-02**
(52) **U.S. Cl.**
USPC **D24/129**

(58) **Field of Classification Search**
USPC D24/127-131, 112-114, 133, 186, 118;
606/181, 185; 604/264, 523-528, 272,
604/187, 158, 164.01-164.11, 181, 184,
604/227
CPC A61M 39/105; A61M 39/223; A61M
2039/224; A61M 2039/229; A61M
2039/2426; F16K 11/08; F16K 11/083;
F16K 11/0836; F16K 11/085; F16K
11/0853; F16K 11/0856; F16K 11/087;
F16K 11/0873; F16K 11/0876; F16K
31/60; Y10T 137/86871

See application file for complete search history.

(56) **References Cited**

U.S. PATENT DOCUMENTS

3,957,082 A * 5/1976 Fuson A61M 39/223
604/80
4,566,480 A * 1/1986 Parham A61M 39/00
137/271

Primary Examiner — Nathan M Johnston

(74) *Attorney, Agent, or Firm* — Eversheds Sutherland
(US) LLP

(57) **CLAIM**

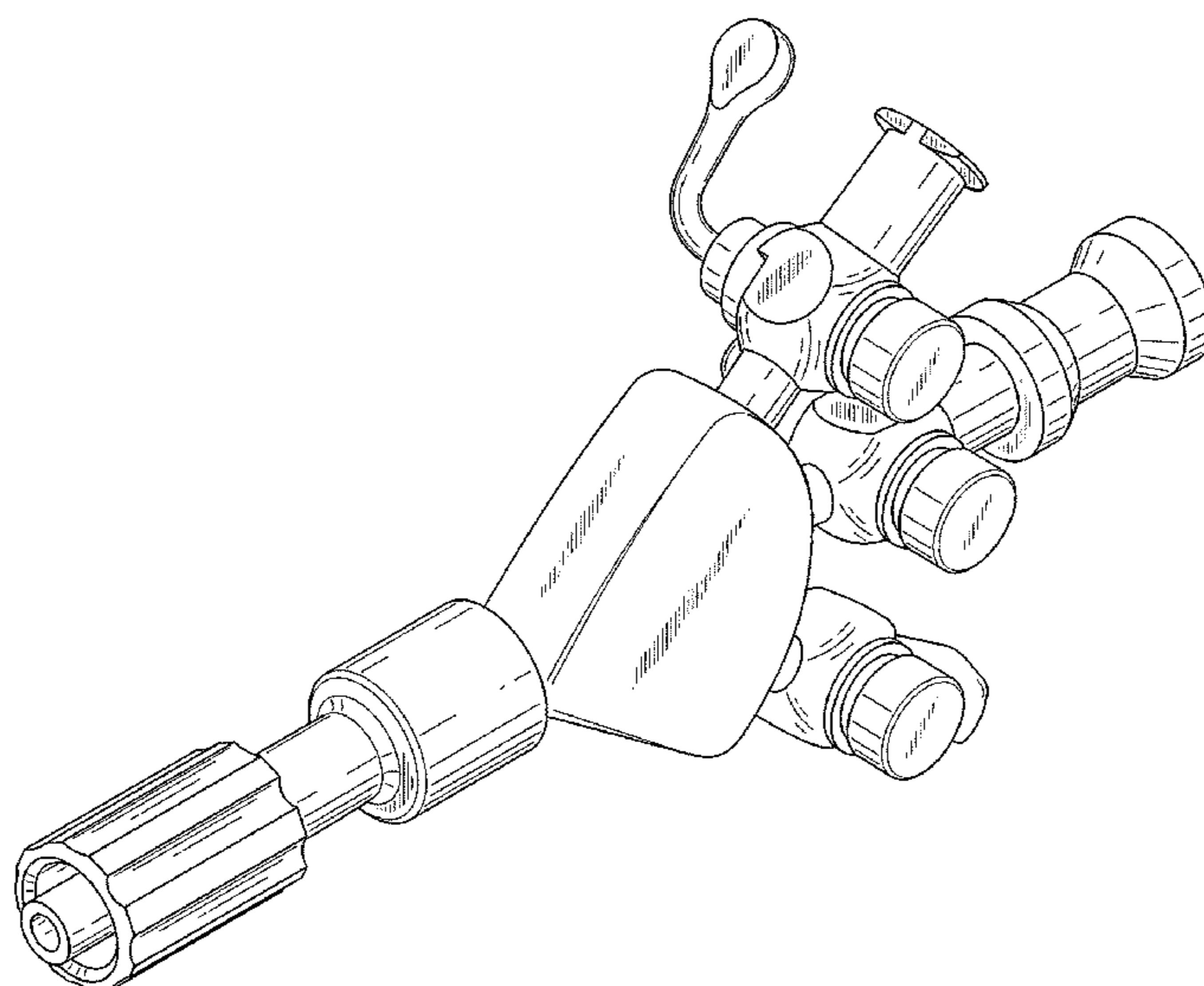
The ornamental design for a three-way stopcock, as shown and described.

DESCRIPTION

FIG. 1 is a perspective view of a three-way stopcock showing our new design;
FIG. 2 is a front view thereof;
FIG. 3 is a rear view thereof;
FIG. 4 is a left side view thereof;
FIG. 5 is a right view thereof;
FIG. 6 is a top view thereof; and,
FIG. 7 is a bottom view thereof.

The broken lines show portions of the three-way stopcock that form no part of the claimed design.

1 Claim, 7 Drawing Sheets



(56)

References Cited

U.S. PATENT DOCUMENTS

2007/0287953 A1* 12/2007 Ziv A61M 39/223
137/605
2008/0067462 A1* 3/2008 Miller A61M 39/22
251/149.1
2010/0022968 A1* 1/2010 Kitani A61M 39/223
604/248
2011/0011474 A1* 1/2011 Duncan A61M 39/223
251/309
2016/0213911 A1* 7/2016 Liu F16K 31/502
2017/0067568 A1* 3/2017 Duncan F16K 11/0853
2018/0093089 A1* 4/2018 Allard A61M 39/10
2021/0116041 A1* 4/2021 Mermelshtein ... A61M 5/16877

* cited by examiner

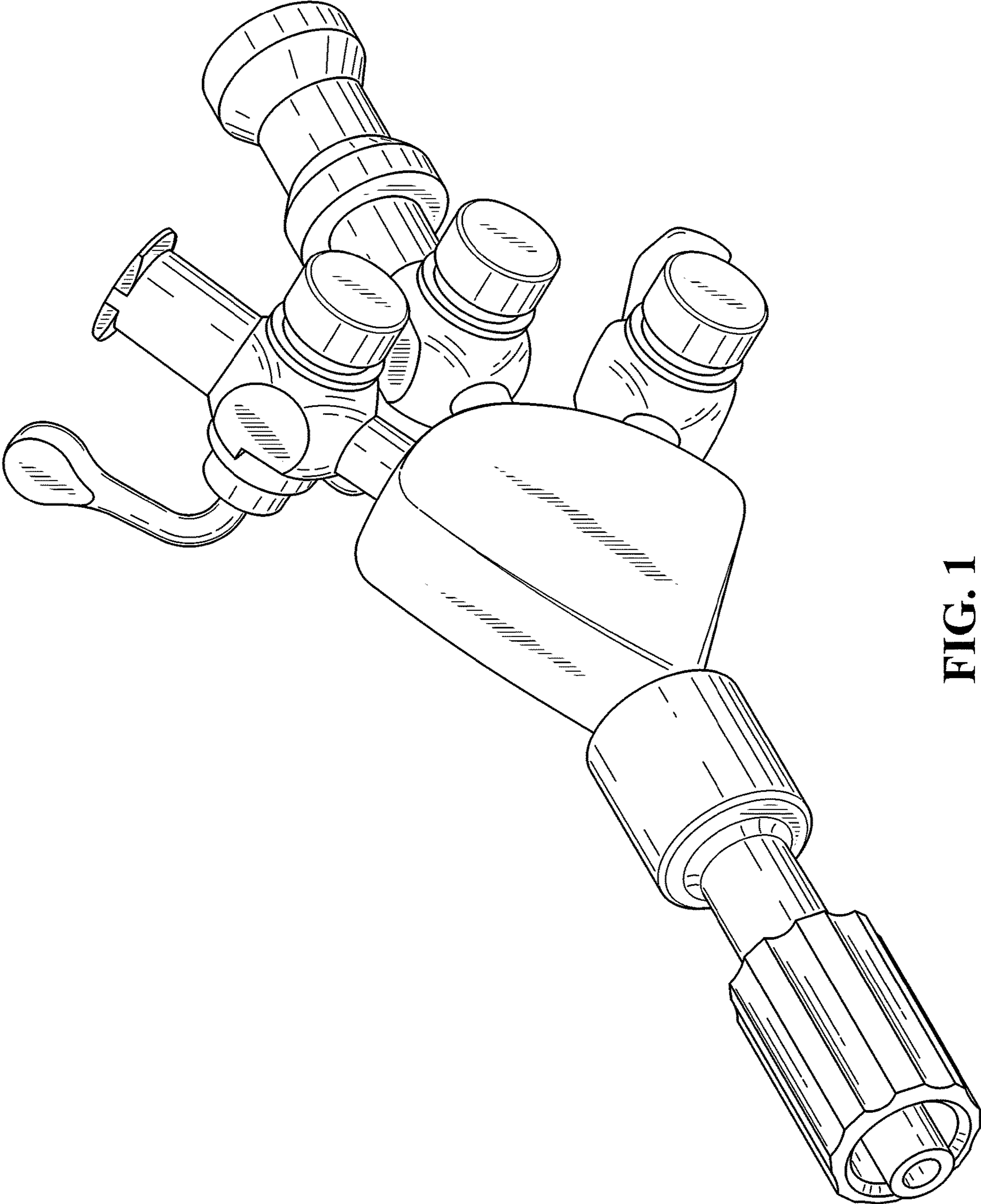


FIG. 1

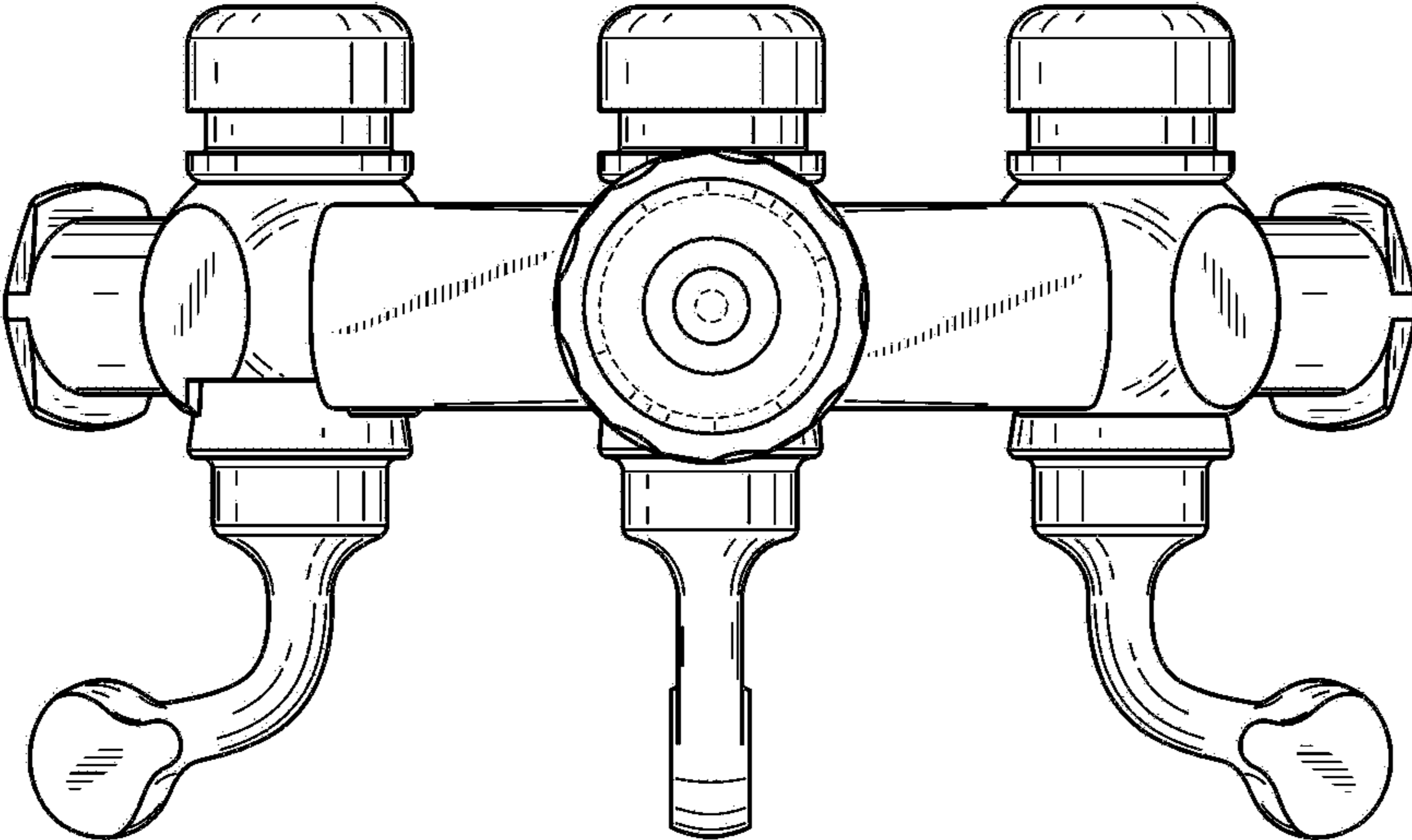


FIG. 2

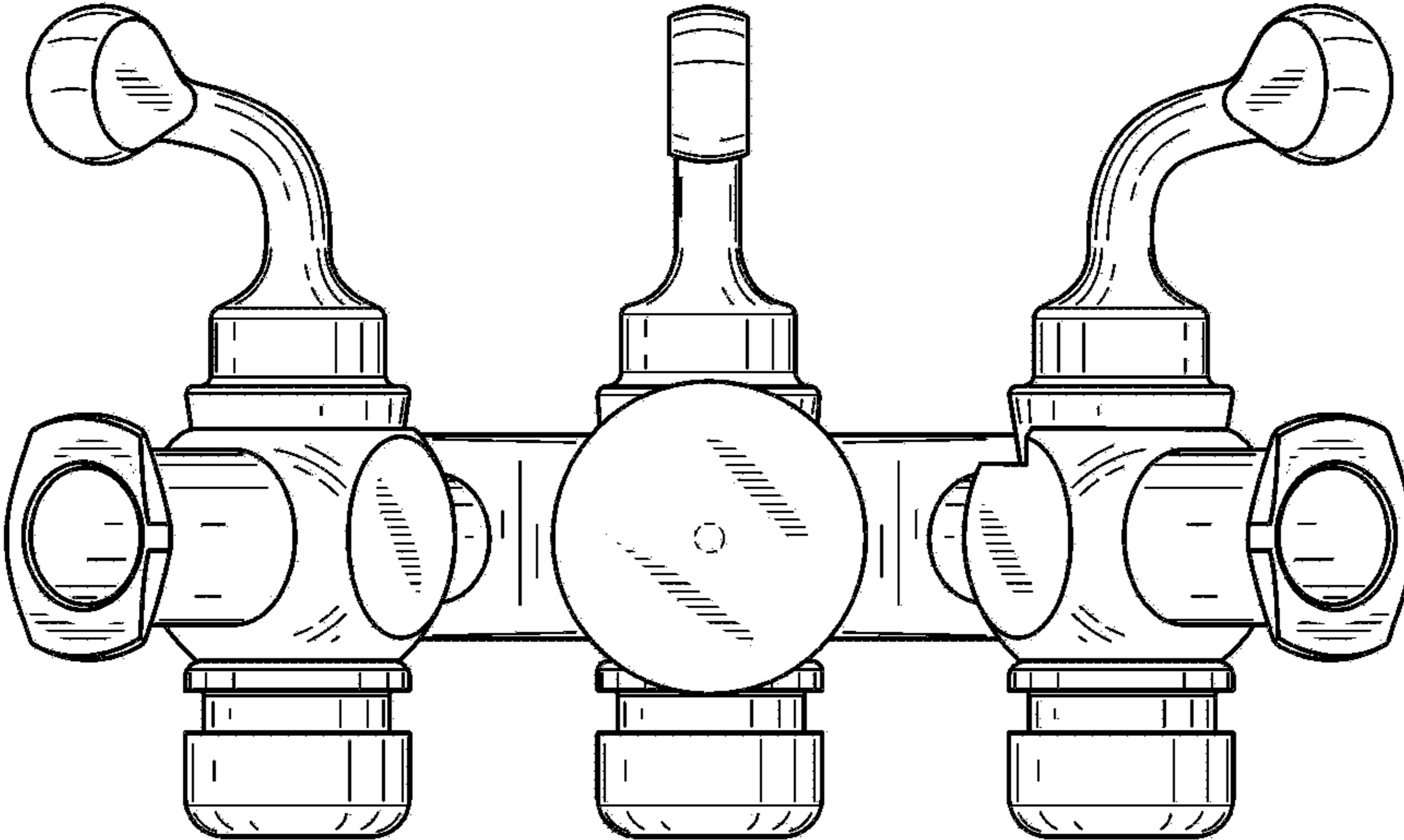


FIG. 3

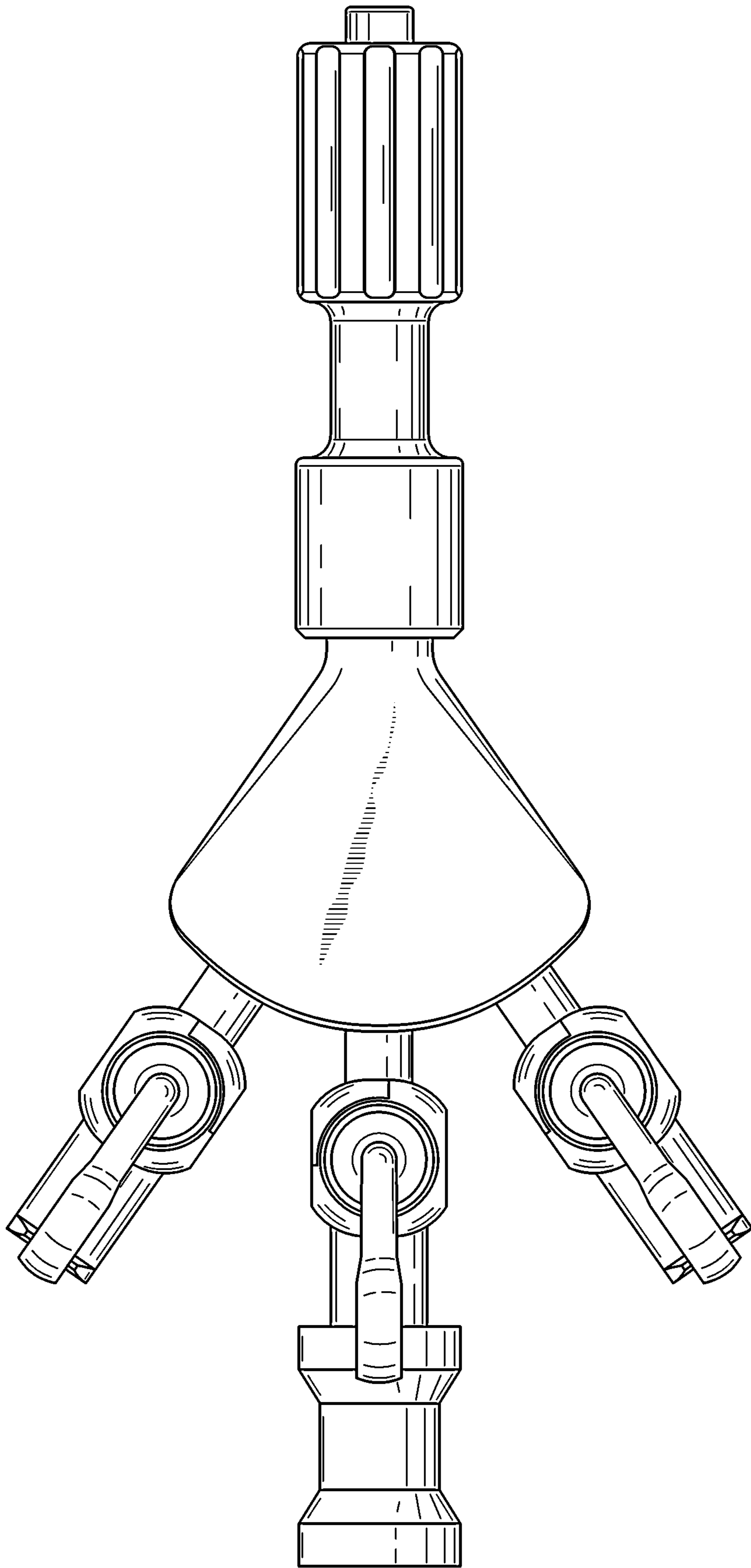


FIG. 4

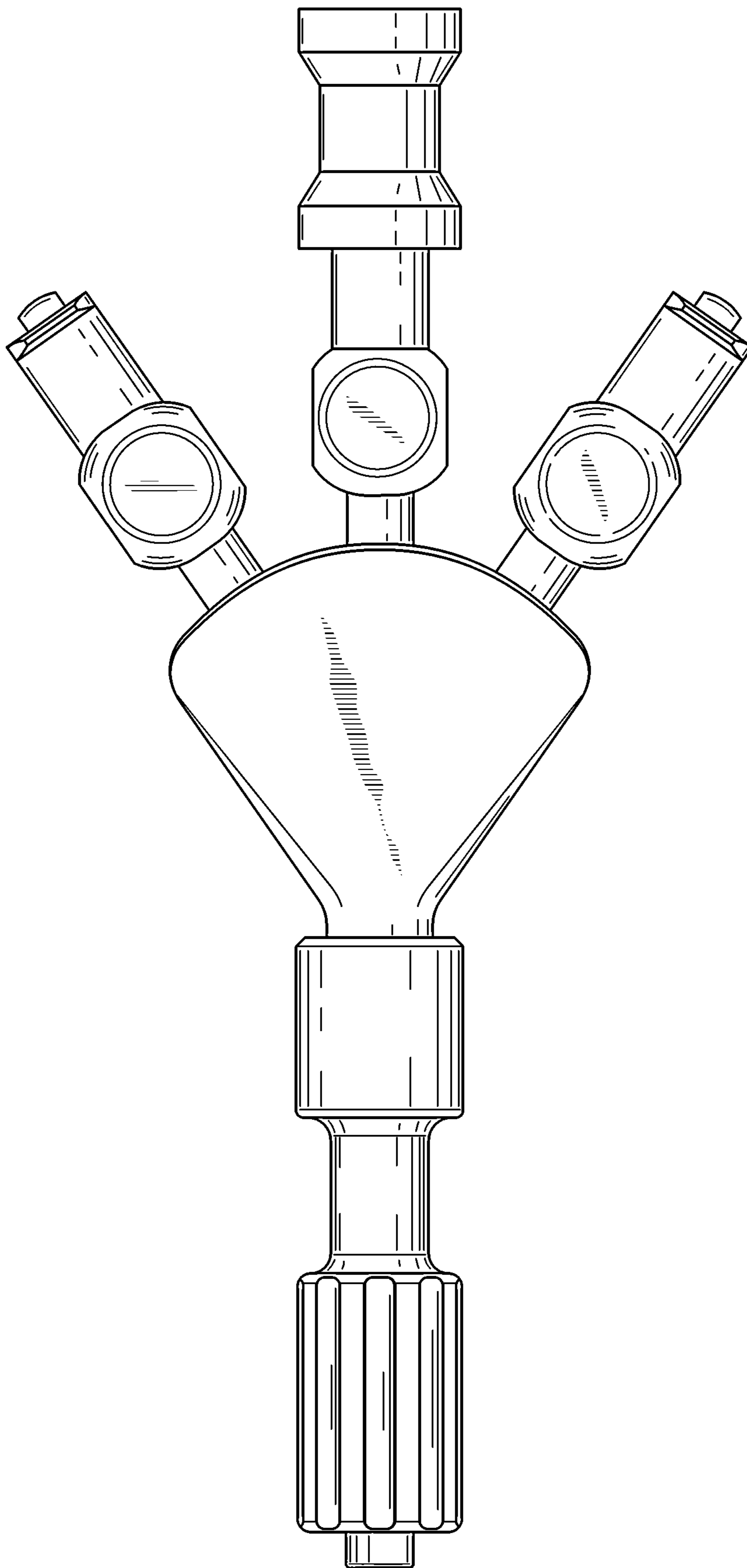


FIG. 5

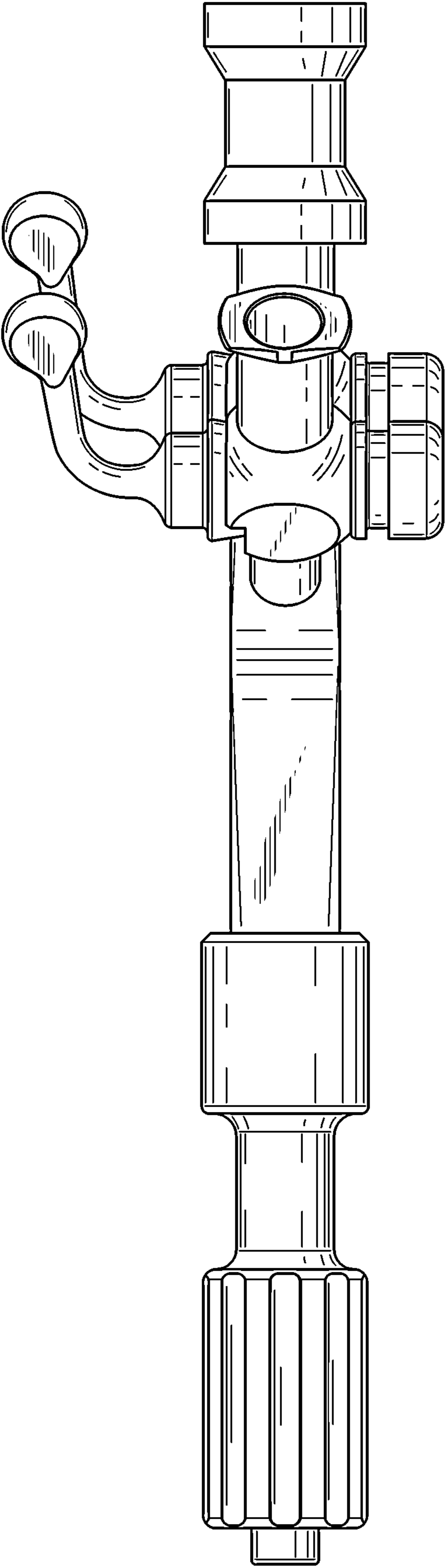


FIG. 6

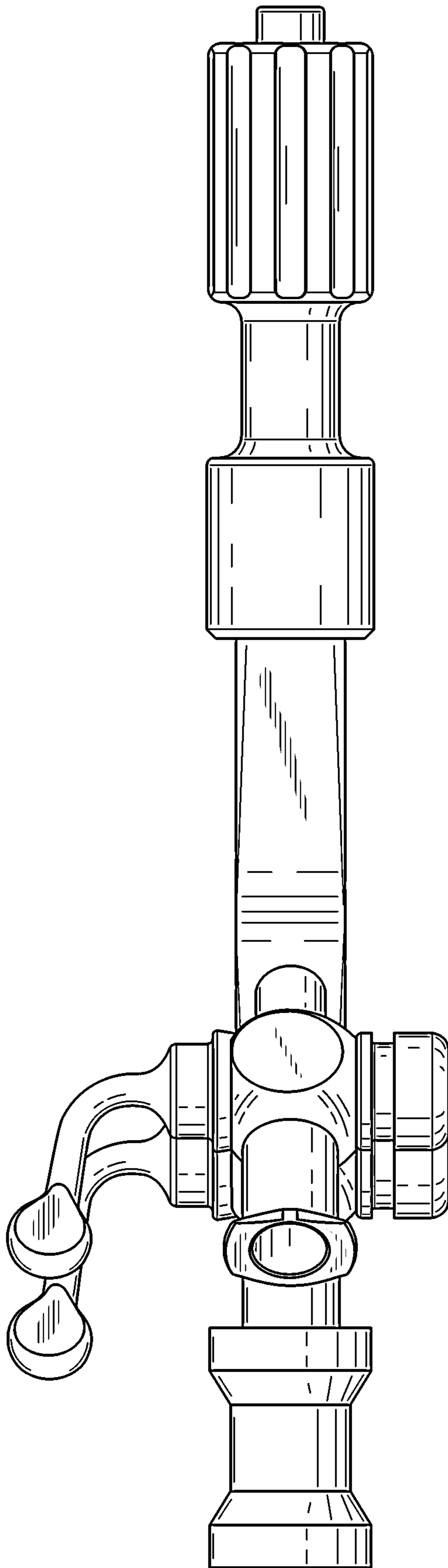


FIG. 7