



US00D978339S

(12) **United States Design Patent**
Hirvilammi

(10) **Patent No.:** **US D978,339 S**

(45) **Date of Patent:** **** *Feb. 14, 2023**

- (54) **BLOOD COLLECTING DEVICE**
- (71) Applicant: **Aidian Oy**, Espoo (FI)
- (72) Inventor: **Tommi Hirvilammi**, Espoo (FI)
- (73) Assignee: **Aidian Oy**, Espoo (FI)
- (*) Notice: This patent is subject to a terminal disclaimer.
- (**) Term: **15 Years**
- (21) Appl. No.: **29/712,653**
- (22) Filed: **Nov. 11, 2019**

7,488,297	B2 *	2/2009	Flaherty	A61B 5/150236
				600/580
7,955,347	B2 *	6/2011	Stout	A61B 5/15144
				606/181
8,162,854	B2 *	4/2012	Calasso	A61B 5/150503
				600/584
8,506,587	B2 *	8/2013	Nagao	A61B 5/1519
				606/181
8,821,525	B2 *	9/2014	Pusey	A61B 17/32093
				600/573
9,345,866	B2 *	5/2016	Kubo	A61M 5/3158
D790,693	S *	6/2017	Mercer	D24/133
9,943,646	B2 *	4/2018	Holland	A61M 5/31511
D891,611	S *	7/2020	Valentin	D24/114
11,123,494	B2 *	9/2021	Kwolek	A61M 5/31571
11,202,869	B2 *	12/2021	Wang	A61B 5/150259

* cited by examiner

(30) **Foreign Application Priority Data**

Jun. 5, 2019 (EM) 006567095

(51) **LOC (14) Cl.** **24-02**

(52) **U.S. Cl.**
USPC **D24/112**

(58) **Field of Classification Search**
USPC D24/112–114, 108, 133, 130, 127, 186;
606/181, 185; 604/264, 272, 187, 181,
604/184, 227
CPC A61M 5/178; A61M 3/00; A61M 5/20;
A61M 5/31; A61M 5/3146; A61M
5/3129; A61M 5/3148; A61M 5/315
See application file for complete search history.

(56) **References Cited**

U.S. PATENT DOCUMENTS

D249,808 S * 10/1978 Bloom 604/227
D459,806 S * 7/2002 Webb D24/150

Primary Examiner — David G Muller

(74) *Attorney, Agent, or Firm* — Laine IP Oy

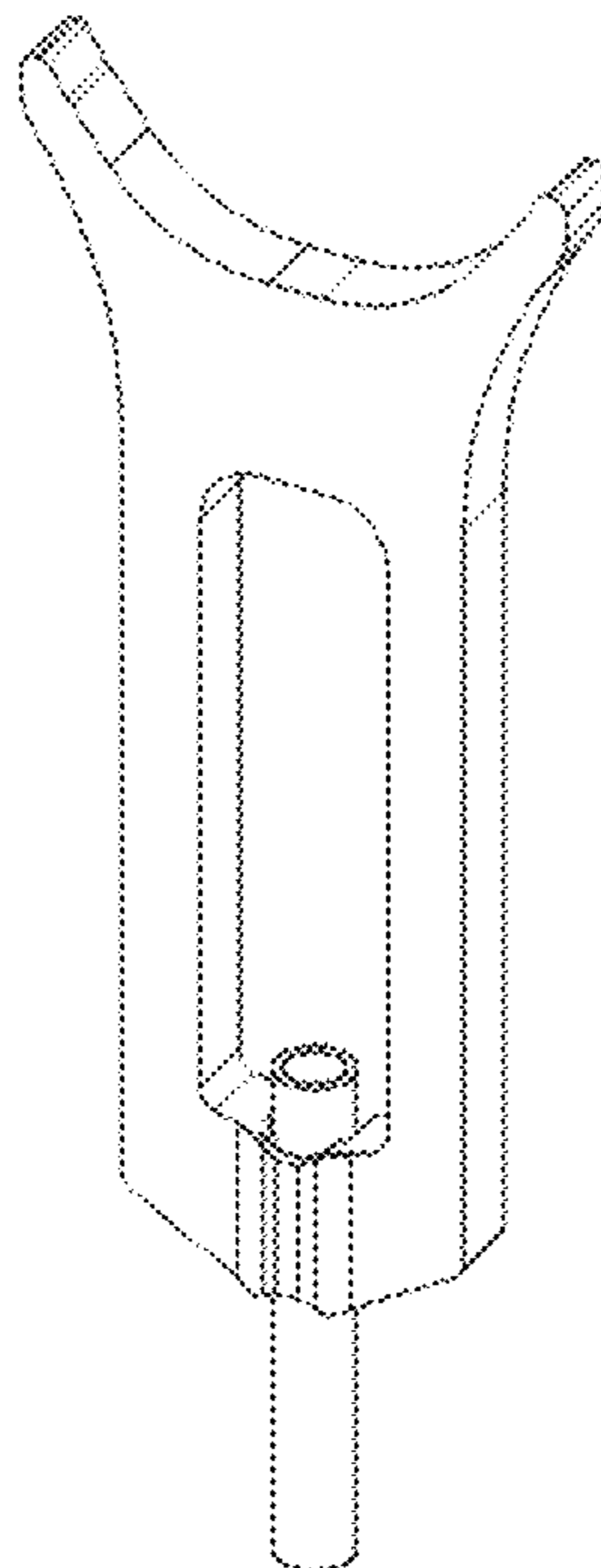
(57) **CLAIM**

The ornamental design for a blood collecting device, as shown and described.

DESCRIPTION

FIG. 1 is a perspective view of a blood collecting device in accordance with the ornamental design; and FIG. 2 is a front view of the blood collecting device; FIG. 3 is a back view of the blood collecting device; FIG. 4 is a bottom view of the blood collecting device; FIG. 5 is a top elevational view of the blood collecting device; FIG. 6 is a right side view of the blood collecting device; and, FIG. 7 is a left side view of the blood collecting device.

1 Claim, 5 Drawing Sheets



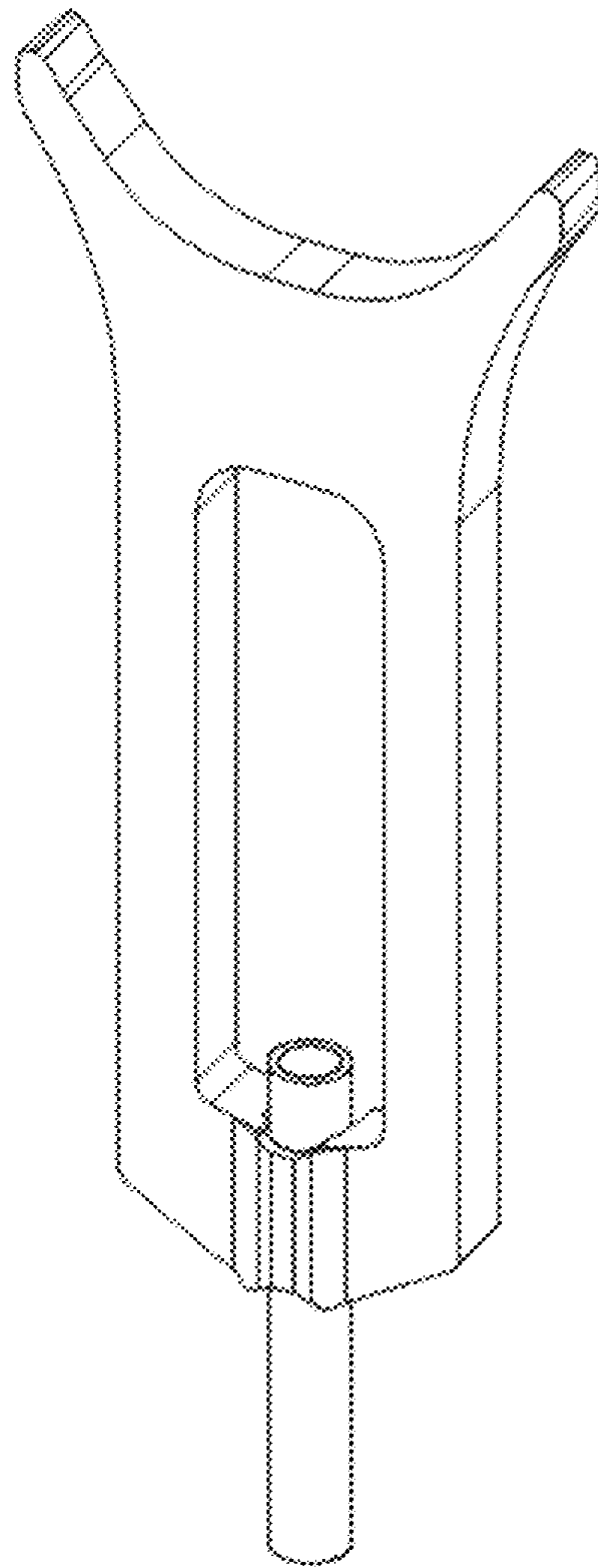


Fig. 1

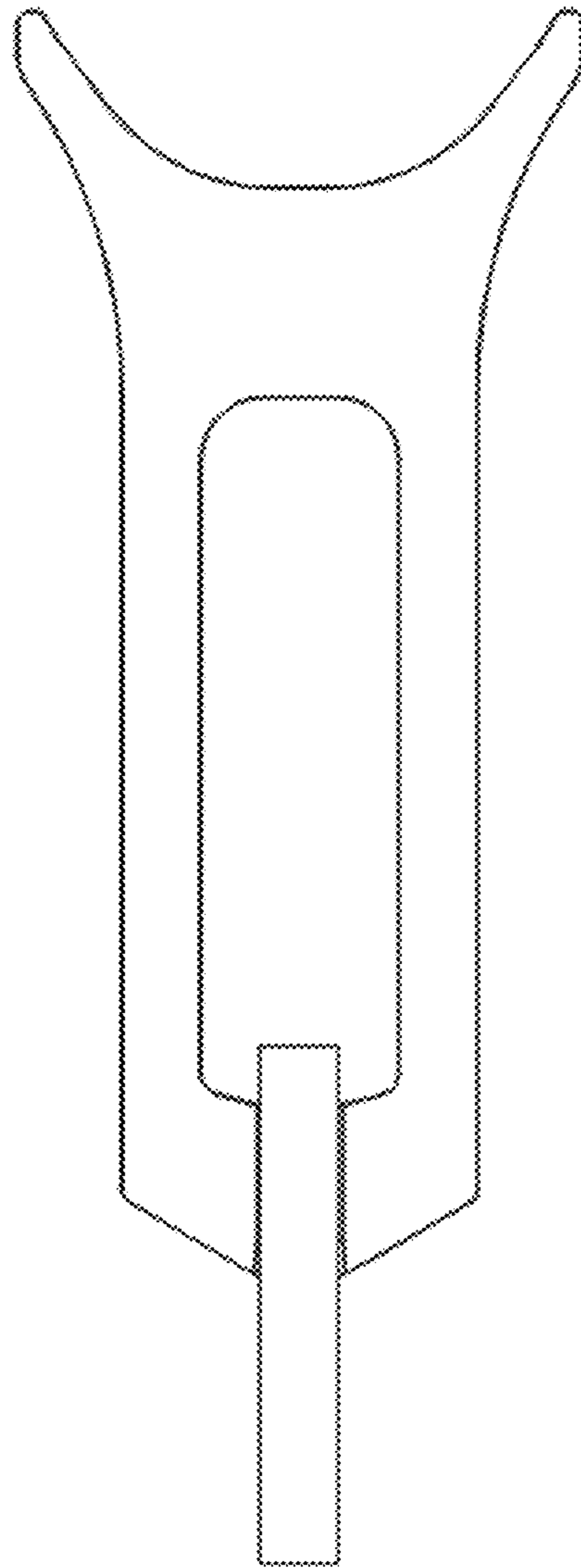


Fig. 2

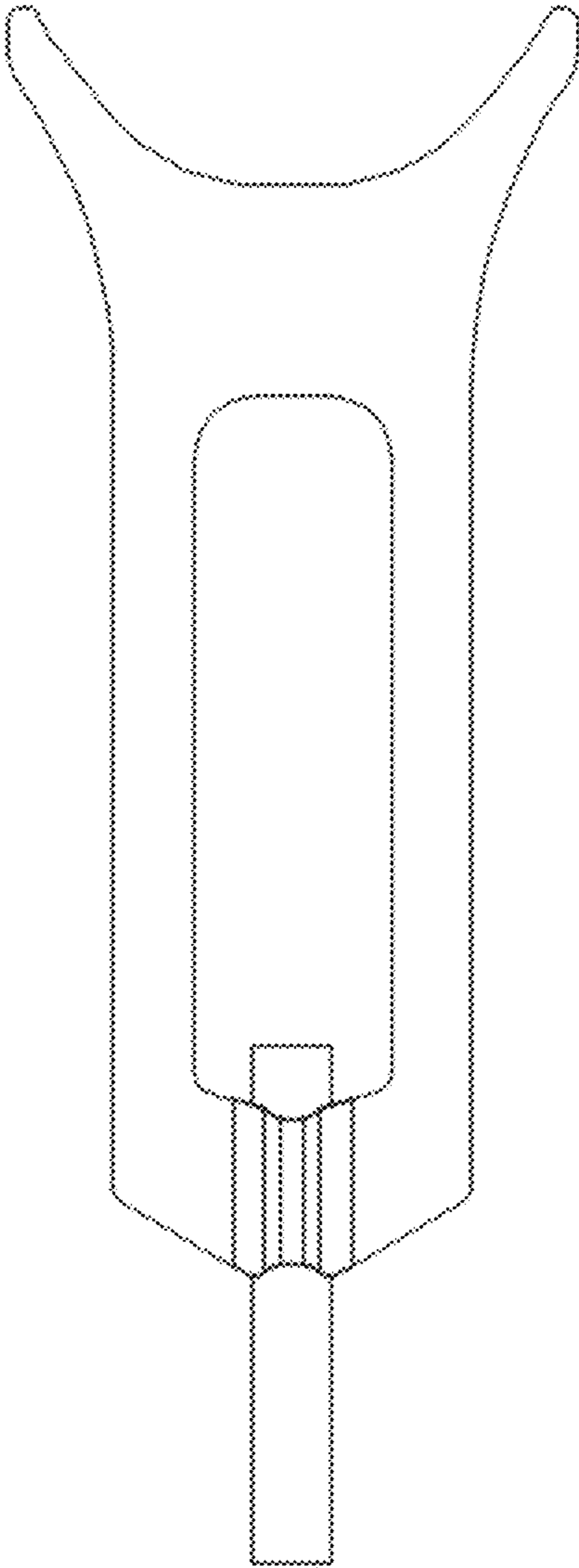


Fig. 3

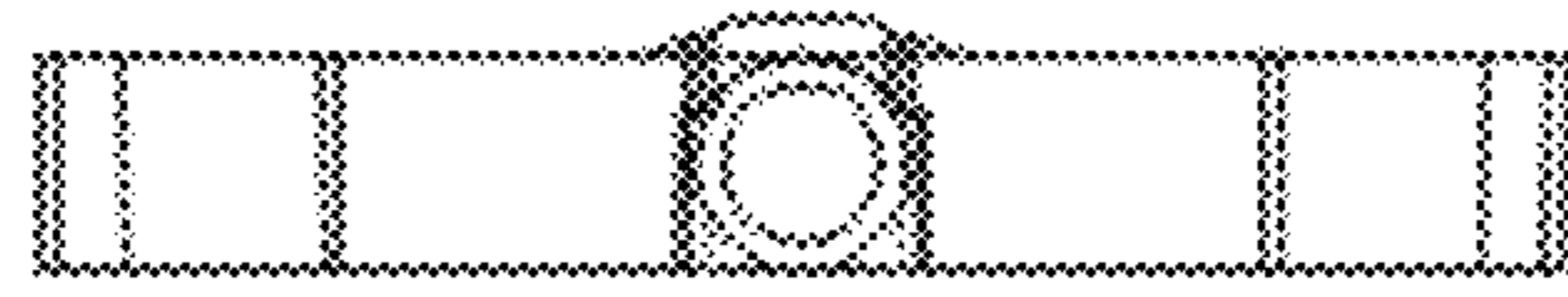


Fig. 4

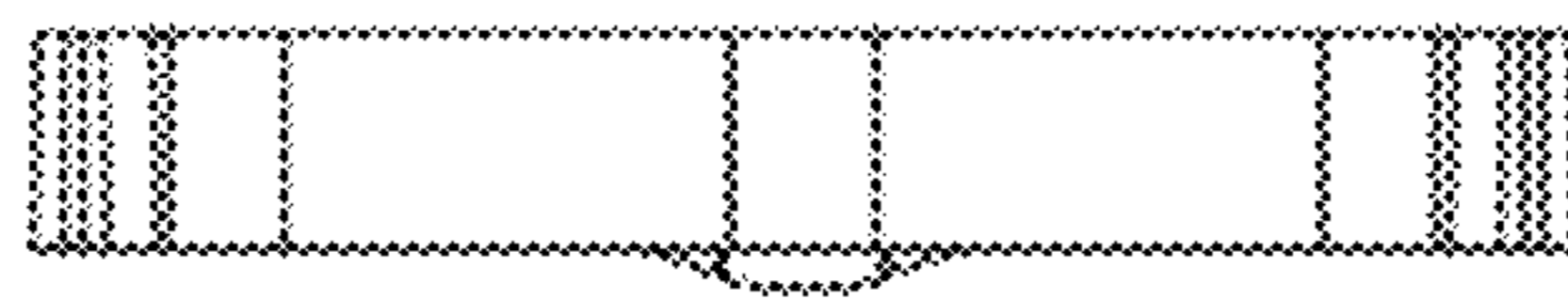


Fig. 5

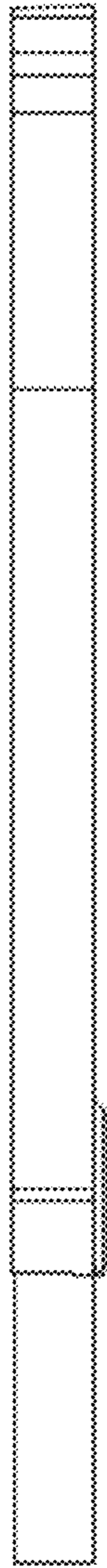


Fig. 6

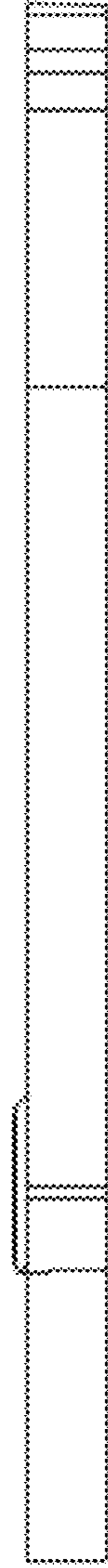


Fig. 7