

US00D978338S

(12) **United States Design Patent** (10) **Patent No.:** **US D978,338 S**
Hochman et al. (45) **Date of Patent:** **** Feb. 14, 2023**

- (54) **INJECTION DEVICE** 5,824,001 A * 10/1998 Erskine A61M 25/0693
604/122
- (71) Applicant: **Milestone Scientific, Inc.**, Livingston, NJ (US) D471,980 S * 3/2003 Caizza D24/130
6,582,399 B1 * 6/2003 Smith A61M 5/20
604/152
- (72) Inventors: **Mark N. Hochman**, Great Neck, NY (US); **Nathan J. Inkrote**, Manasquan, NJ (US); **Matthew Tramontana**, Pennington, NJ (US); **Stephen E. Simantiras**, Morristown, NJ (US) D494,270 S * 8/2004 Reschke D24/144
D495,051 S * 8/2004 Reschke D24/144
D504,176 S * 4/2005 Vijfvinkel D24/143
D598,543 S * 8/2009 Vogel D24/147
D606,190 S * 12/2009 Pruitt D24/113
D609,804 S * 2/2010 Uchida D24/112
D636,489 S * 4/2011 D'Agostino D24/130
D639,946 S * 6/2011 Simon D24/112
D655,406 S * 3/2012 Ma D24/112
D690,008 S * 9/2013 Wang D24/130
- (73) Assignee: **MILESTONE SCIENTIFIC, INC.**, Livingston, NJ (US)

(Continued)

(**) Term: **15 Years**

(21) Appl. No.: **29/709,964**

(22) Filed: **Oct. 18, 2019**

Related U.S. Application Data

(62) Division of application No. 29/657,444, filed on Jul. 23, 2018.

(51) **LOC (14) Cl.** **24-02**

(52) **U.S. Cl.**
USPC **D24/112**

(58) **Field of Classification Search**
USPC D24/112-114, 133, 186, 104, 127, 130;
606/181, 185; 604/264, 272, 115, 232,
604/187, 158, 164.08, 192, 263, 163, 181,
604/184, 198, 227

CPC A61M 5/31596; A61M 2005/1787; A61M
2005/31508; A61M 5/31511; A61M
2005/3121; A61M 2005/31598

See application file for complete search history.

(56) **References Cited**

U.S. PATENT DOCUMENTS

- D381,418 S * 7/1997 Erskine D24/146
- D397,434 S * 8/1998 Pike D24/112

Primary Examiner — Nathan M Johnston

(74) *Attorney, Agent, or Firm* — Niels Haun; Dann, Dorfman, Herrell & Skillman, P.C.

(57) **CLAIM**

The ornamental design for an injection device, substantially as shown and described.

DESCRIPTION

FIG. 1 is a perspective view of the ornamental design for an injection device;

FIG. 2 is a side view of a first side of the ornamental design of FIG. 1, of which the opposite side is a mirror image;

FIG. 3 is a side view of a second side of the ornamental design of FIG. 1;

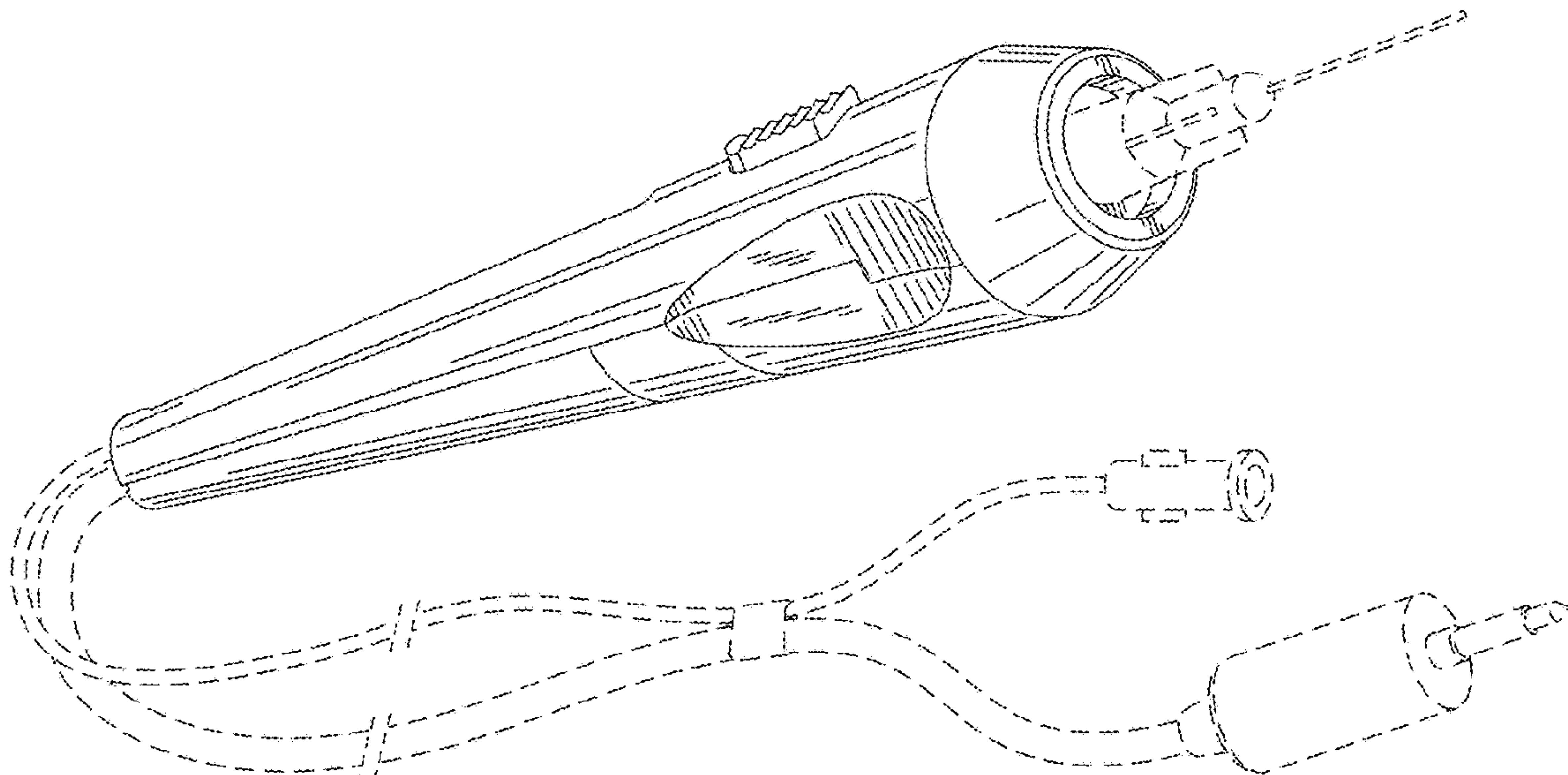
FIG. 4 is a side view of a third side of the ornamental design of FIG. 1;

FIG. 5 is an end view of a first end of the ornamental design of FIG. 1; and,

FIG. 6 is an end view of a second end of the ornamental design of FIG. 1.

The broken lines depict portions of the injection device that form no part of the design.

1 Claim, 5 Drawing Sheets



(56)

References Cited

U.S. PATENT DOCUMENTS

D714,436 S * 9/2014 Lee-Sepsick D24/112
D719,255 S * 12/2014 Ohashi D24/112
D752,737 S * 3/2016 Ohashi D24/112
D803,396 S * 11/2017 Oberkircher D24/133
D806,230 S * 12/2017 Johnson D24/112
D809,652 S * 2/2018 Snyder D24/112
D843,573 S * 3/2019 Avuthu D24/144
D844,774 S * 4/2019 Akcay A61M 5/422
D24/112
D846,738 S * 4/2019 Kalina, Jr. D24/133
2004/0220532 A1* 11/2004 Caizza A61M 5/346
604/905
2007/0191777 A1* 8/2007 King A61M 25/0606
604/164.08

* cited by examiner

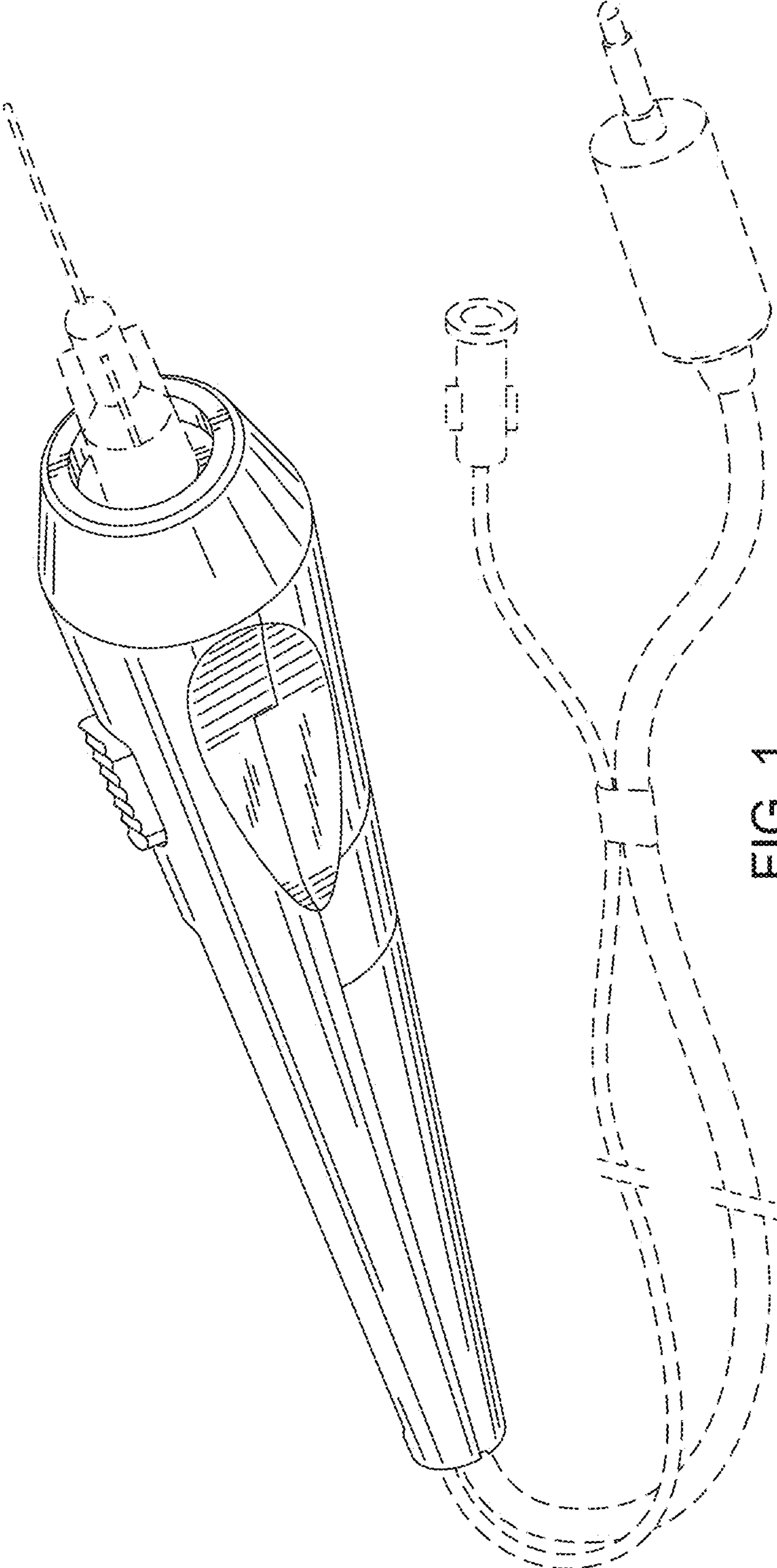


FIG. 1

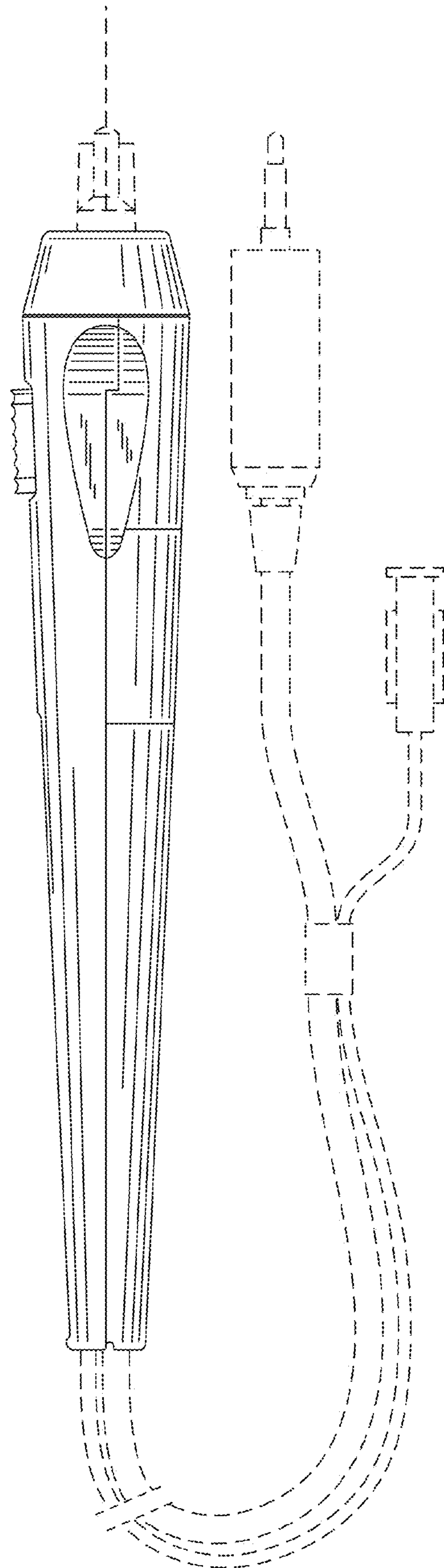


FIG. 2

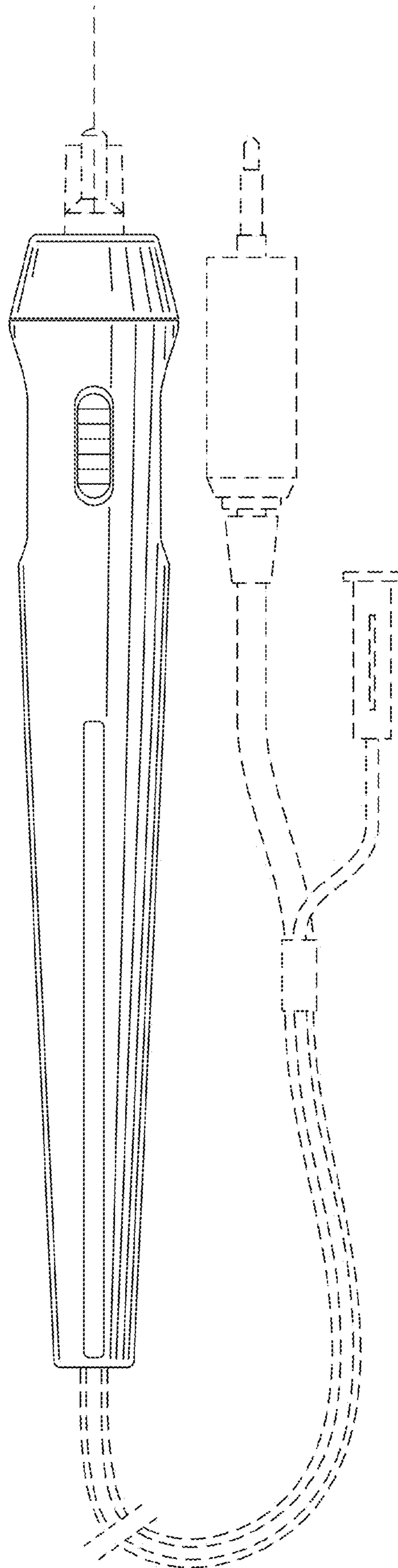


FIG. 3

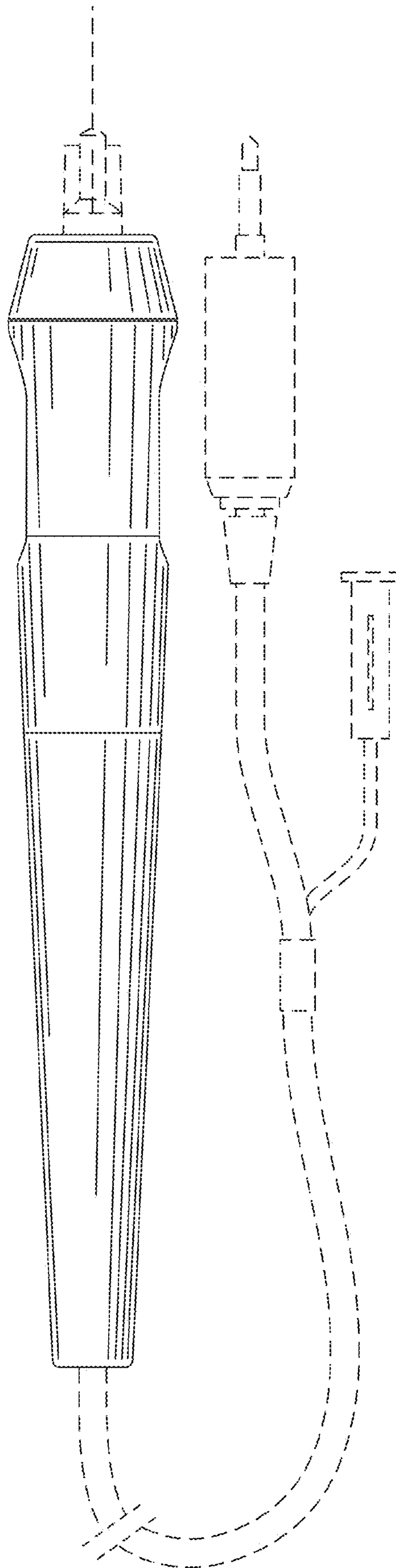


FIG. 4

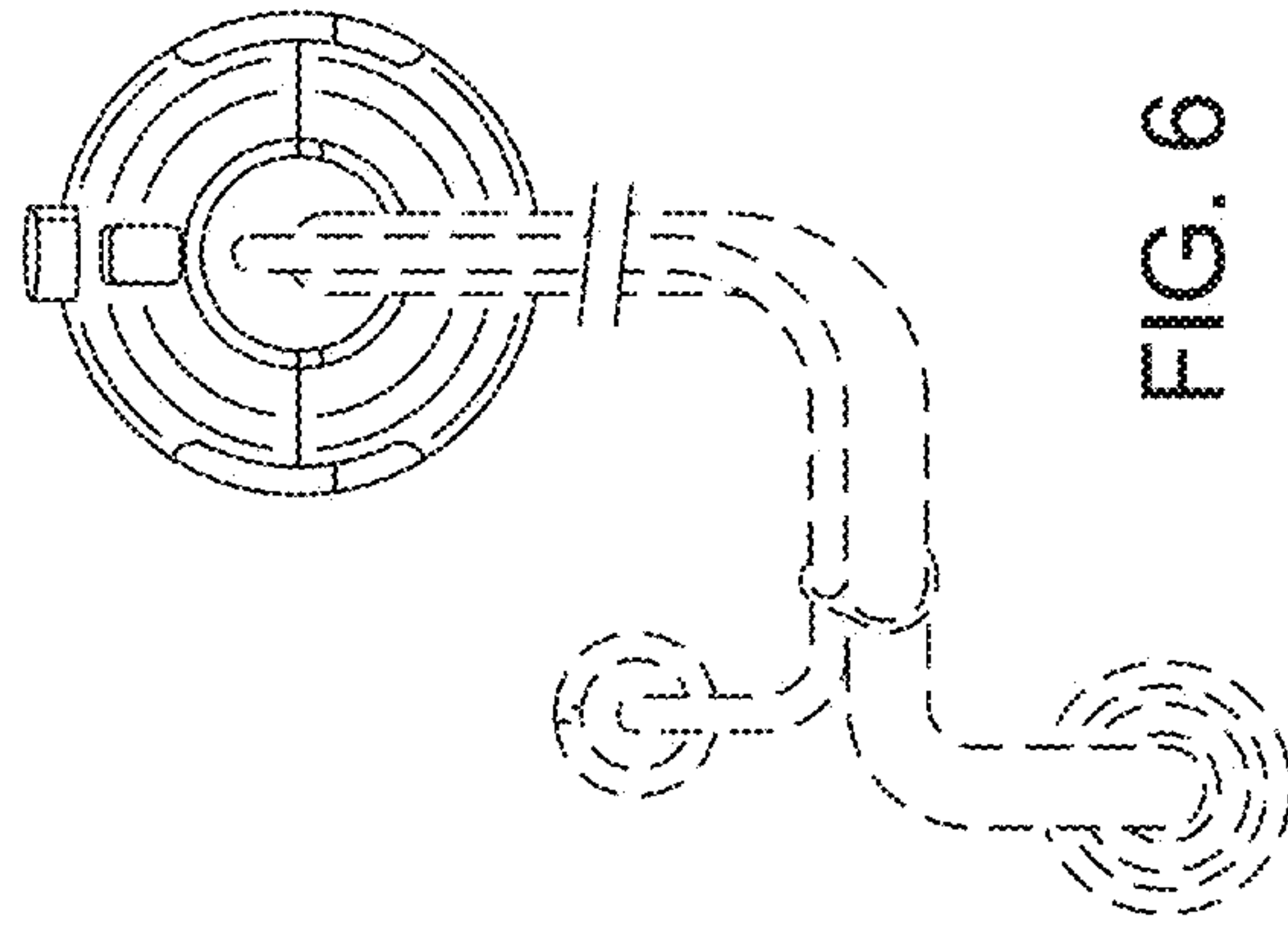


FIG. 6

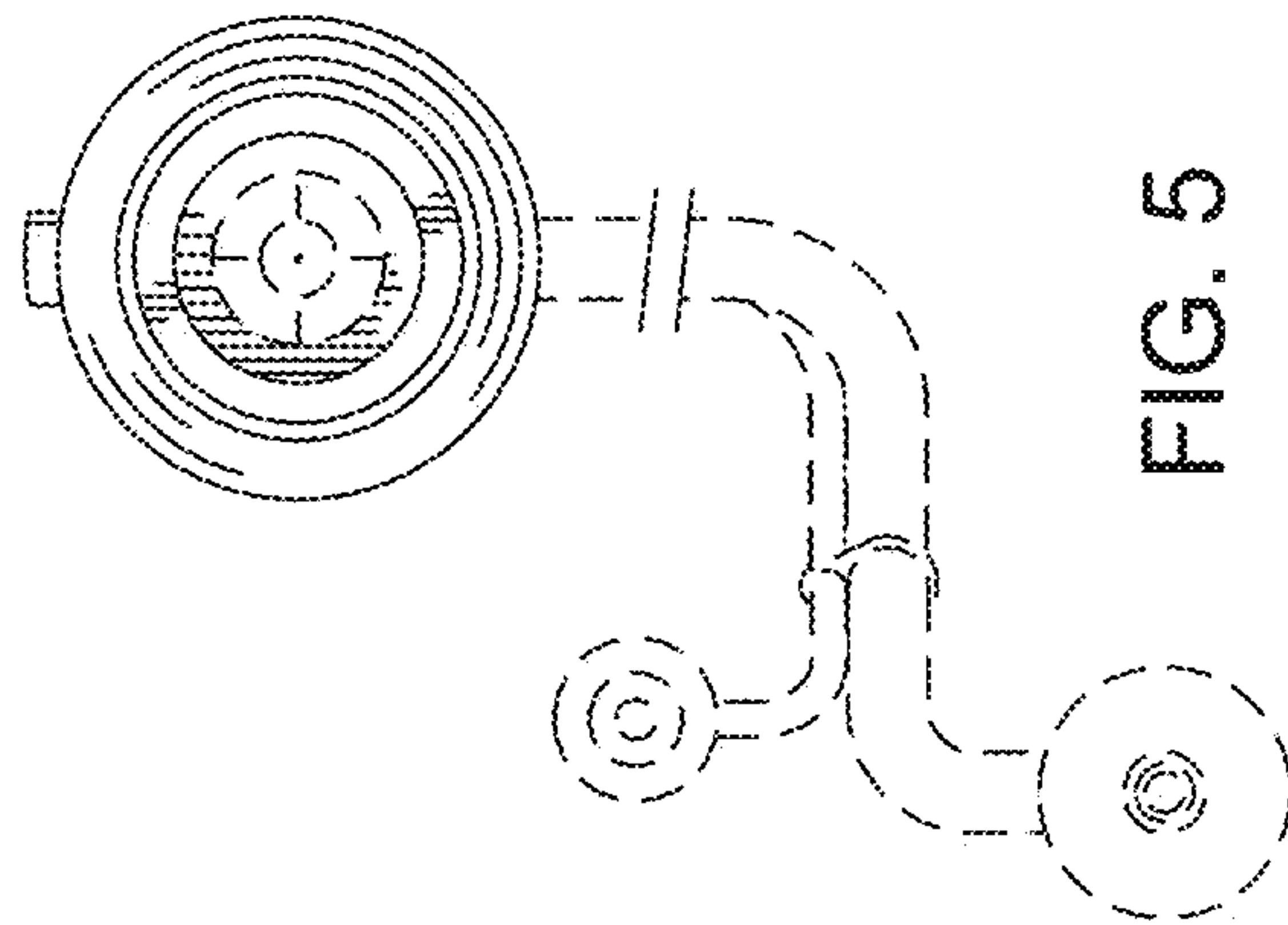


FIG. 5