



US00D978337S

(12) **United States Design Patent**
Chen

(10) **Patent No.:** **US D978,337 S**
(45) **Date of Patent:** **** Feb. 14, 2023**

(54) **DENTAL WATER FLOSSER**
(71) Applicant: **Shenzhen Kivos Technology Co., Ltd.**,
Guangdong (CN)
(72) Inventor: **Hongzhi Chen**, Guangdong (CN)
(73) Assignee: **Shenzhen Kivos Technology Co., Ltd.**,
Shenzhen (CN)
(**) Term: **15 Years**

(21) Appl. No.: **29/845,974**
(22) Filed: **Jul. 12, 2022**
(51) **LOC (14) Cl.** **24-02**
(52) **U.S. Cl.**
USPC **D24/111**
(58) **Field of Classification Search**
USPC D4/100, 101, 102, 110, 111, 136, 138,
D4/199; D24/108, 111–115, 117, 152,
D24/176, 231
CPC ... A61C 15/046; A61C 15/047; A61C 15/048;
A61C 17/00; A61C 17/005; A61C
17/0092; A61C 17/02; A61C 17/0202;
A61C 17/0205; A61C 17/0211; A61C
17/028; A61C 17/16; A61C 17/22; A61C
17/222; A61C 17/225; A61C 17/227;
A61C 17/28; A61C 17/32; A61C 17/34;
A61C 17/36
See application file for complete search history.

(56) **References Cited**
U.S. PATENT DOCUMENTS
D413,975 S * 9/1999 Maeda D24/176
D780,908 S * 3/2017 Ladwig D24/111
D806,228 S * 12/2017 Yan D24/176
D888,935 S * 6/2020 Fang D24/111
D907,195 S * 1/2021 Li D24/111
D908,208 S * 1/2021 He D24/111

D922,565 S 7/2021 Wang
D948,032 S * 4/2022 Fang D24/111
D952,134 S 5/2022 Wang et al.
2008/0008979 A1 * 1/2008 Thomas A61C 17/028
433/80
2016/0151133 A1 * 6/2016 Luetngen F04B 17/03
433/80
2020/0214814 A1 * 7/2020 Yuan A61C 1/0015
2020/0229906 A1 * 7/2020 Taniguchi A61C 17/0202
2021/0077235 A1 * 3/2021 Yin A61C 17/0202
2021/0121274 A1 * 4/2021 Yin A61C 17/0202

* cited by examiner

Primary Examiner — Richard Kearney
Assistant Examiner — Michael Hoffman
(74) *Attorney, Agent, or Firm* — Dragon Sun Law Firm,
PC; Jinggao Li, Esq.

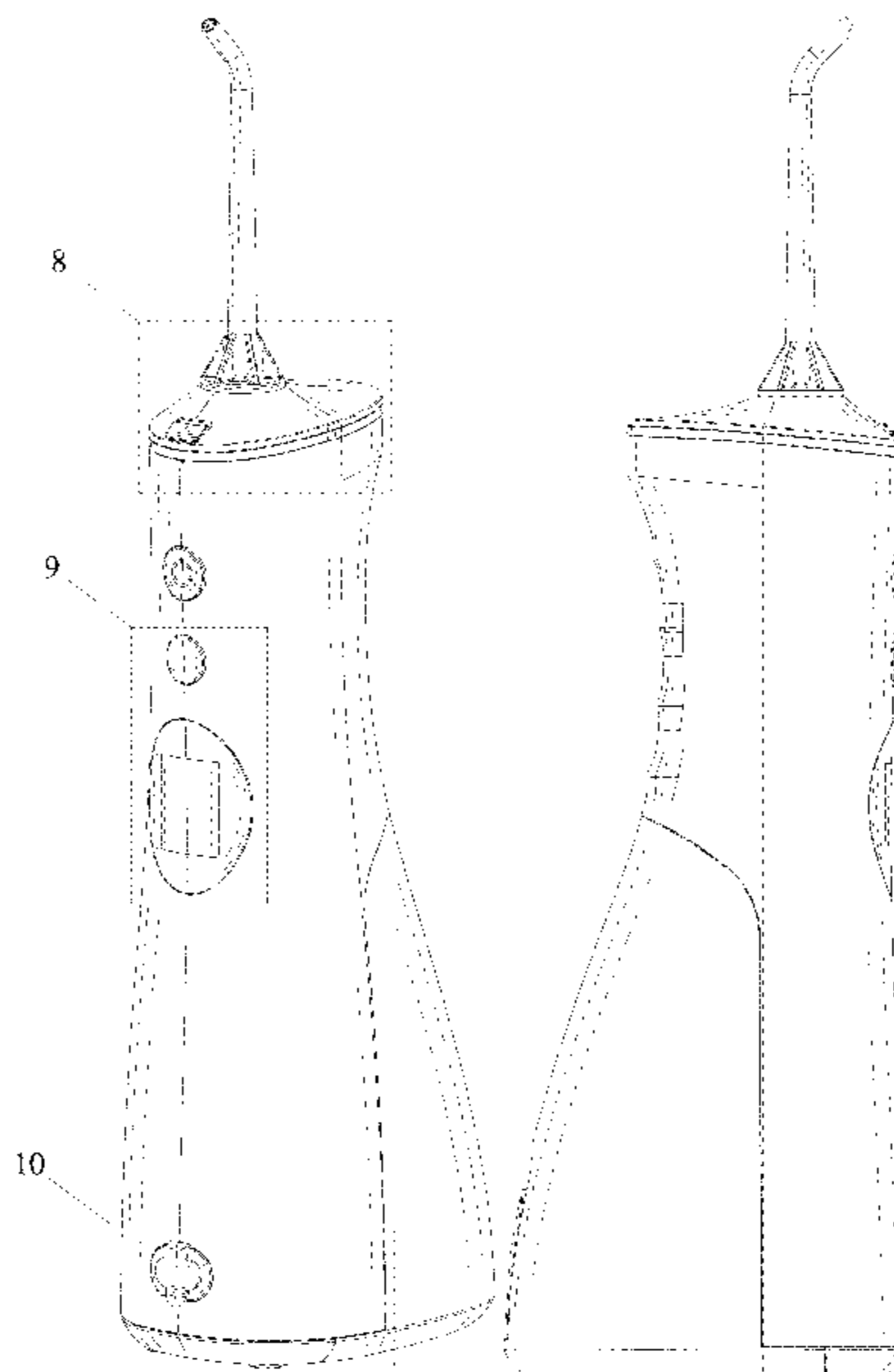
(57) **CLAIM**

The ornamental design for a dental water flosser, as shown and described.

DESCRIPTION

FIG. 1 is a front, right perspective view of the dental water flosser;
FIG. 2 is front view thereof;
FIG. 3 is a rear view thereof;
FIG. 4 is a left view thereof;
FIG. 5 is a right view thereof;
FIG. 6 is a top view thereof;
FIG. 7 is a bottom view thereof;
FIG. 8 is a partially enlarged view of FIG. 1;
FIG. 9 is another partially enlarged view of FIG. 1;
FIG. 10 is another partially enlarged view of FIG. 1; and,
FIG. 11 is a partially enlarged view of FIG. 5.
The broken lines shown on the drawings depict portions of the dental water flosser that form no part of the claimed design.

1 Claim, 11 Drawing Sheets



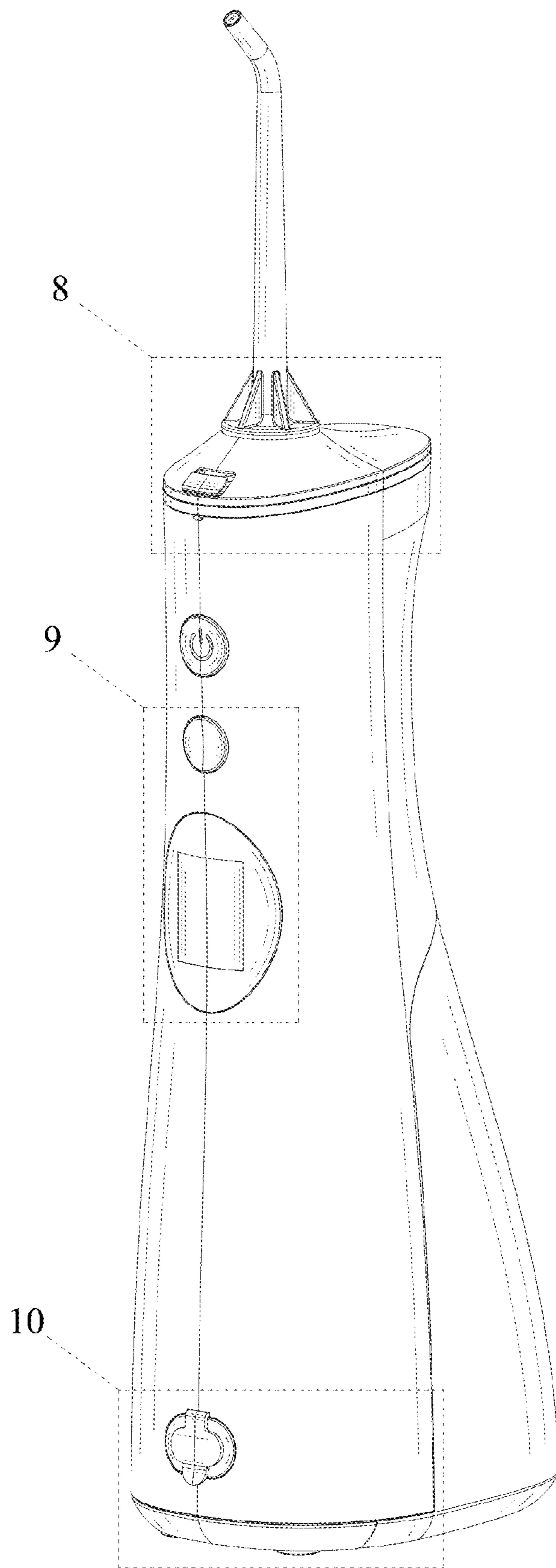


FIG. 1

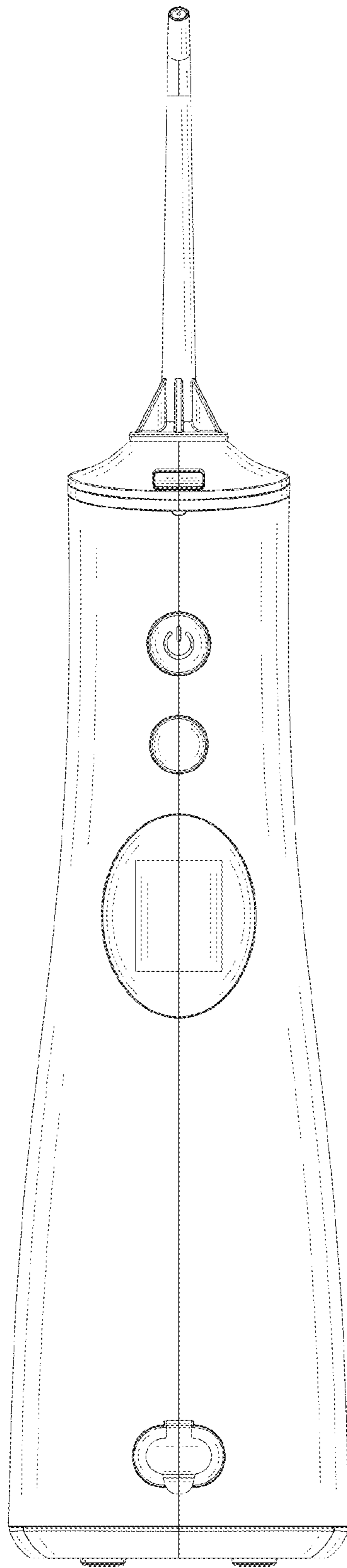


FIG. 2

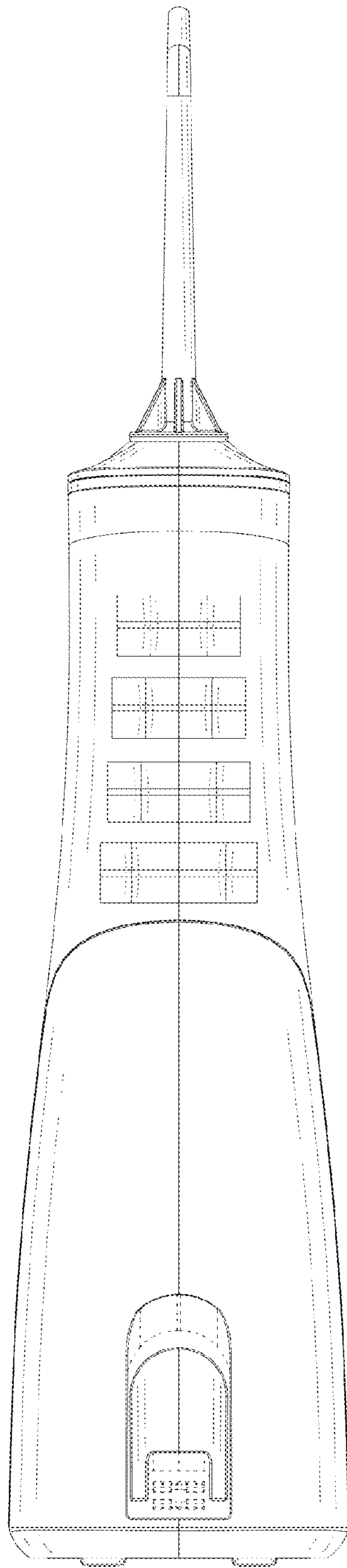


FIG. 3

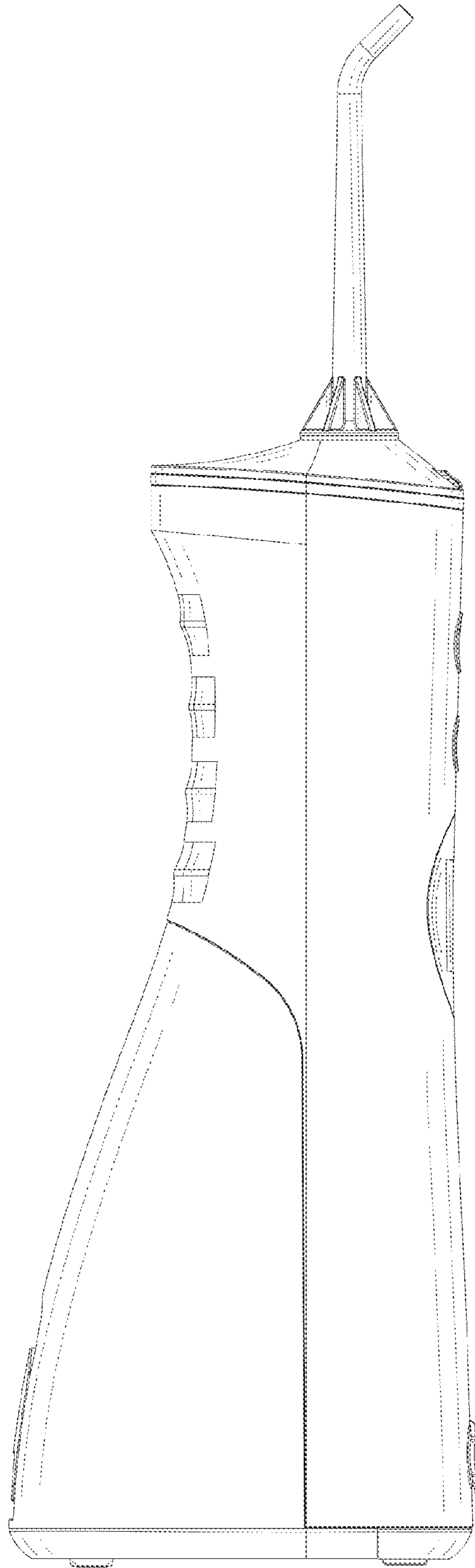


FIG. 4

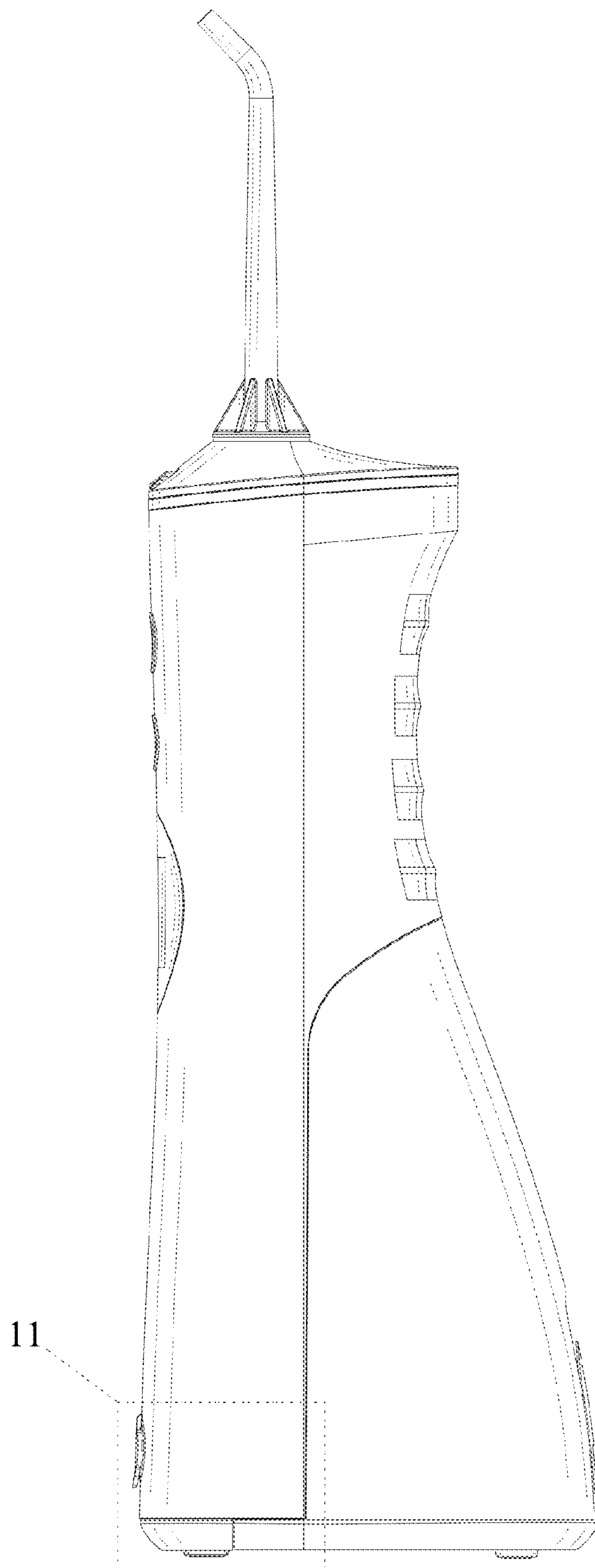


FIG. 5

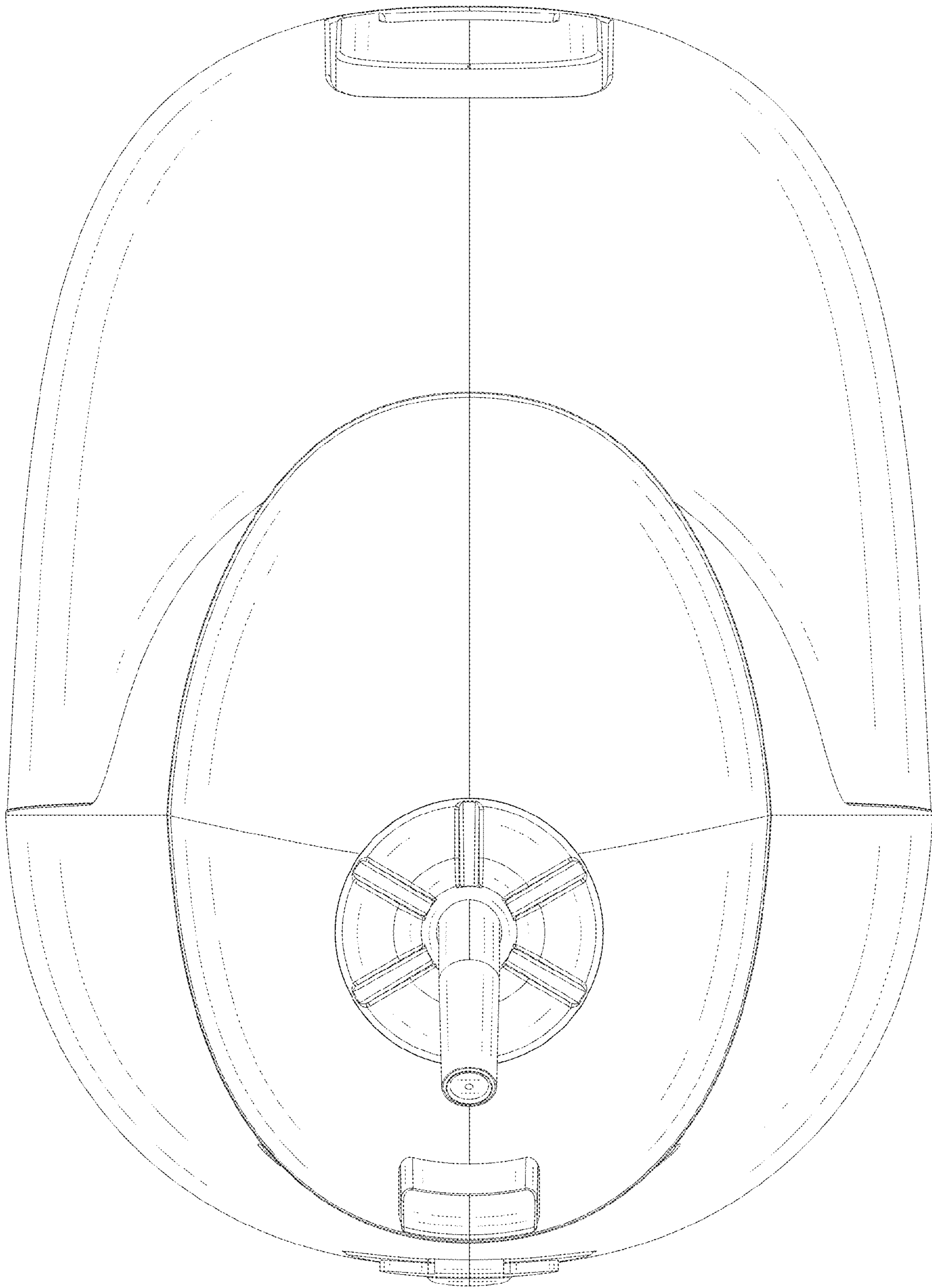


FIG. 6

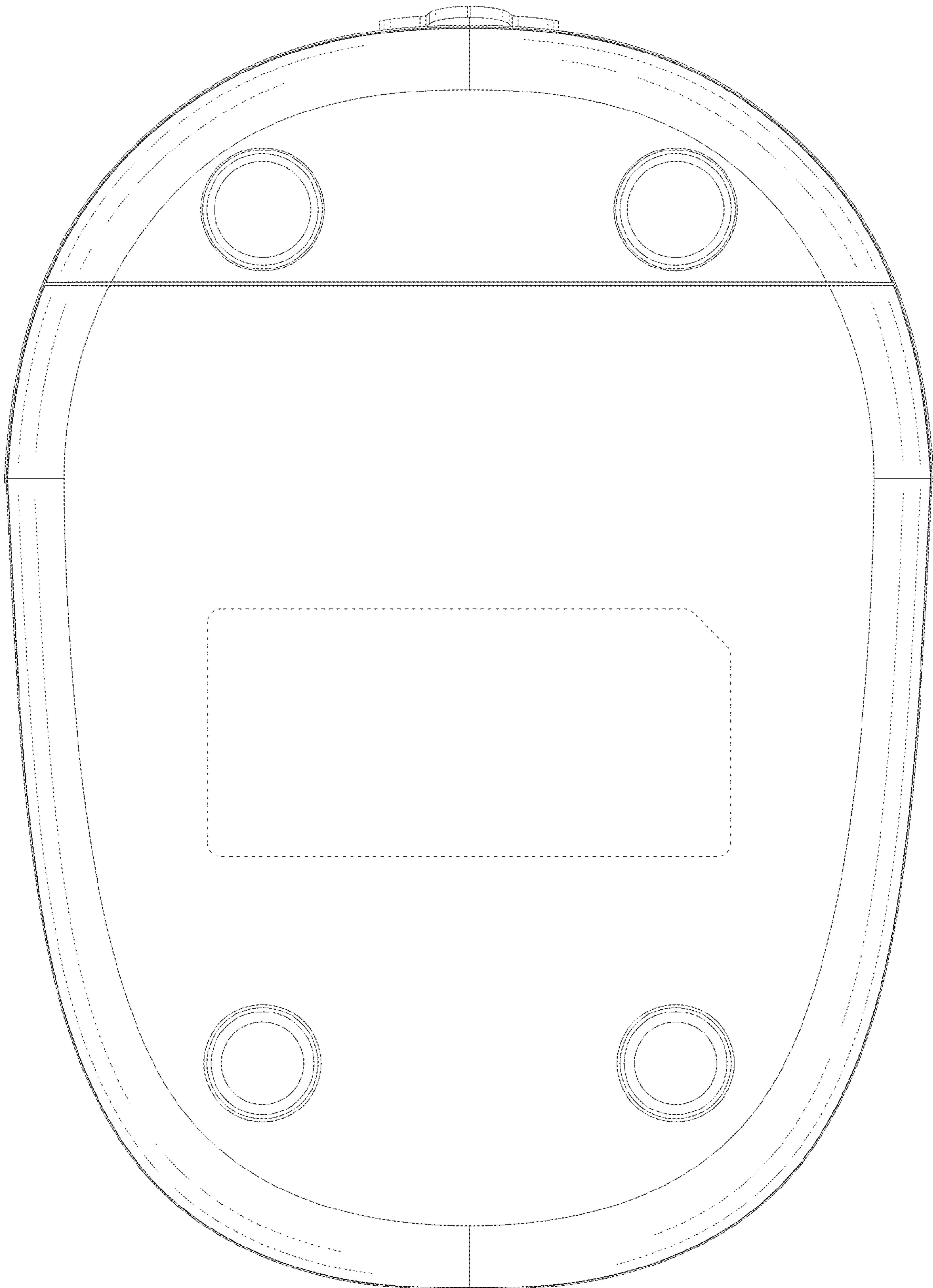


FIG. 7

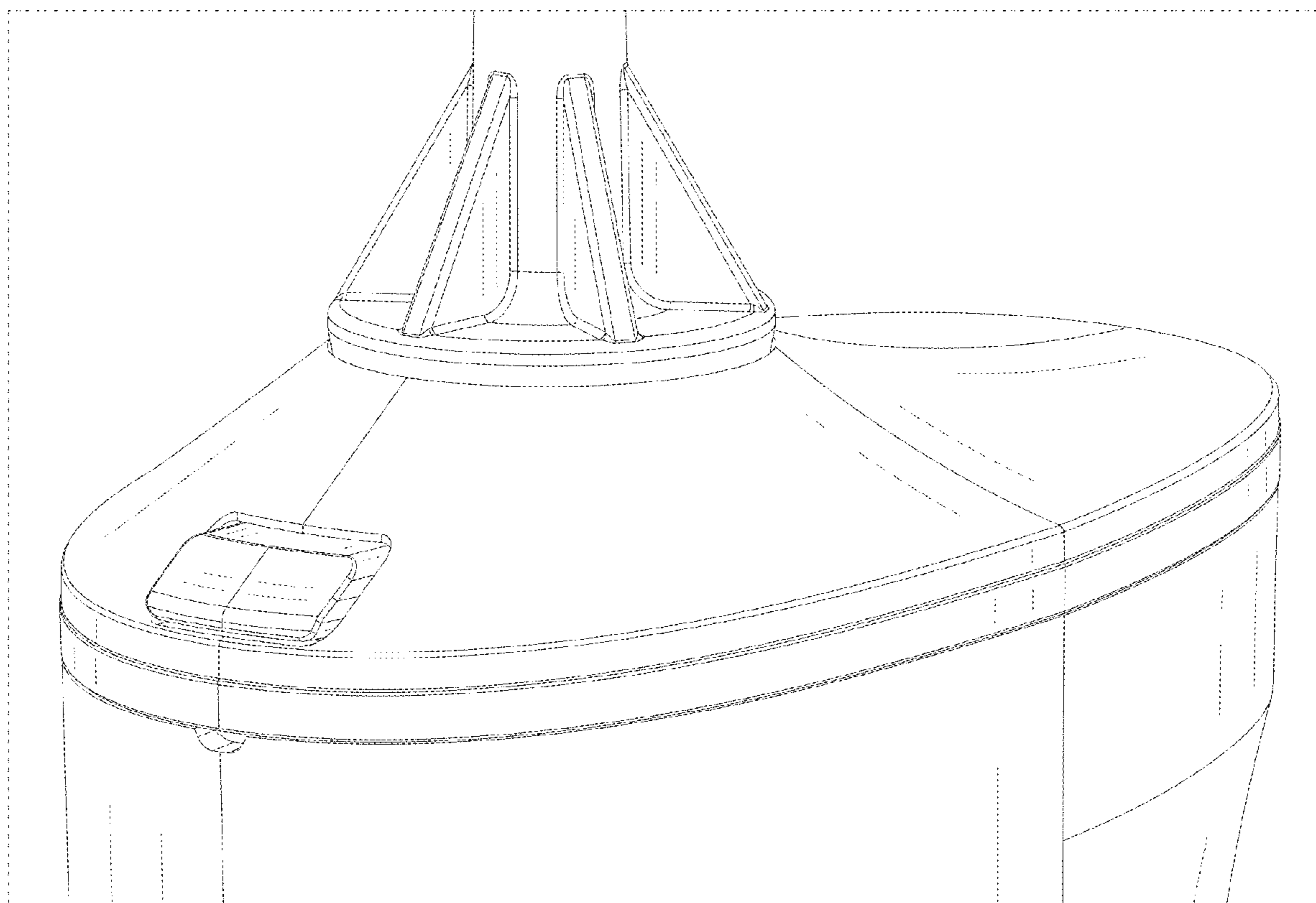


FIG. 8

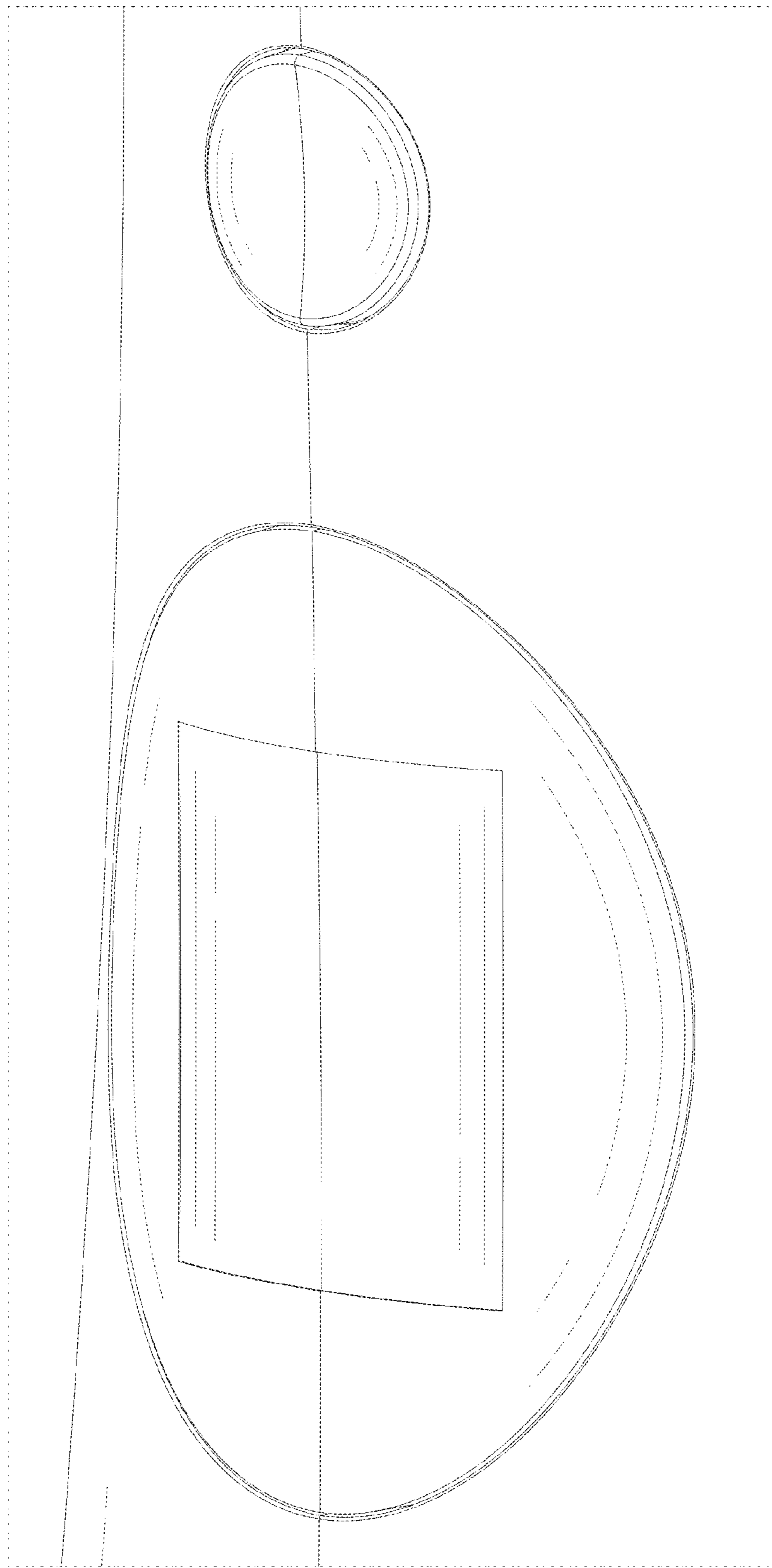


FIG. 9

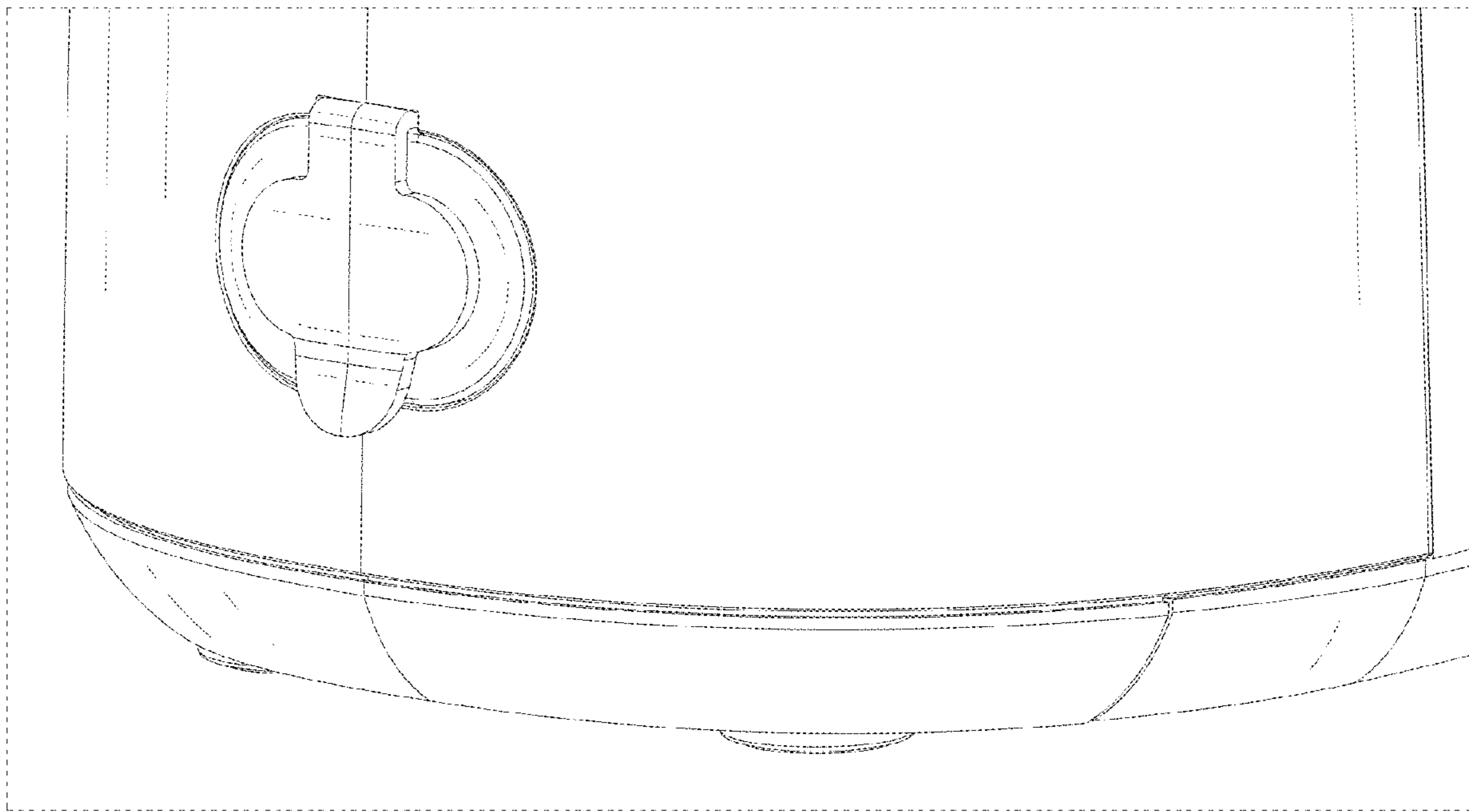


FIG. 10

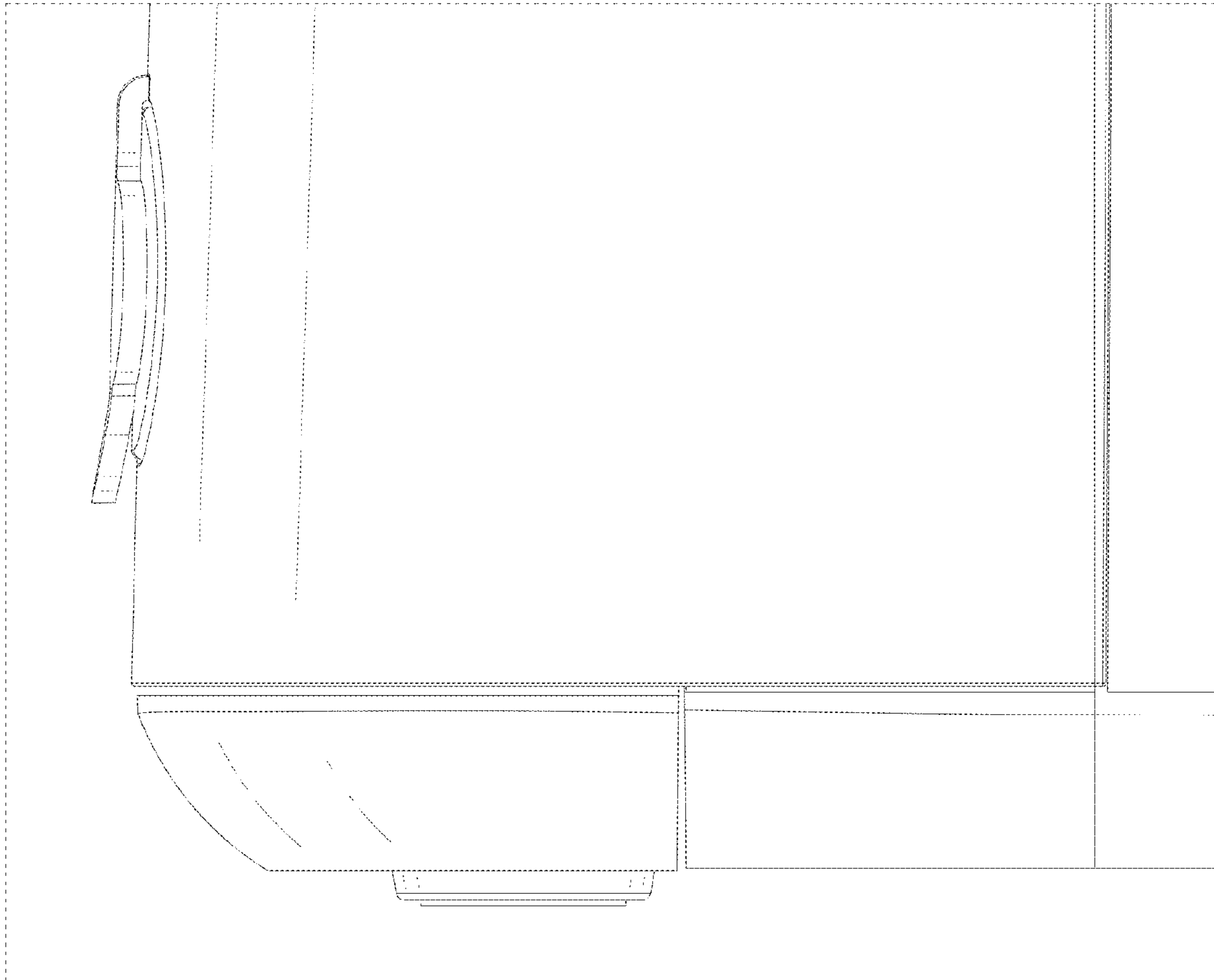


FIG. 11