



US00D978334S

(12) **United States Design Patent** (10) **Patent No.:** **US D978,334 S**
Kalnin (45) **Date of Patent:** **** Feb. 14, 2023**

(54) **BIDIRECTIONAL NASAL CANNULA**
(71) Applicant: **Laurence Kalnin**, London (GB)
(72) Inventor: **Laurence Kalnin**, London (GB)
(**) Term: **15 Years**

D893,015 S * 8/2020 Wilson D24/110.4
D893,016 S * 8/2020 Wilson D24/110.4
D897,523 S * 9/2020 Babbage D24/110
D911,515 S * 2/2021 Koschany D24/110.5
D917,042 S * 4/2021 Scampoli D24/112
D933,206 S * 10/2021 Lucio D24/110.4

(21) Appl. No.: **35/513,435**
(22) Filed: **Dec. 23, 2021**

OTHER PUBLICATIONS

“Nasal . . . ” reference found Sep. 27, 2022 found by RMS on the internet at: https://cpapx.com/products/nasal-prong-pillow-nasalaire-ii-cpap-bipap-masks?utm_campaign=gs-2022-06-29&utm_source=google&utm_medium=smart_campaign&gclid=EAIaIQobChMIs46toaK2-gIVhq_ICh0XGgKjEAQYBSABEgJ5ZfD_BwE.*
“Direct Home . . . ” reference found Sep. 27, 2022 by RMS at: https://www.directhomemedical.com/cart/merchant.mvc?Screen=PROD&Product_Code=home-oxygen-nasal-cannula-starter-variety-pack&Store_Code=DHM&gclid=EAIaIQobChMIs46toaK2-gIVhq_ICh0XGgKjEAQYByABEgIRTPD_BwE.*
“West Med . . . ” reference found Sep. 27, 2022 by RMS at: https://www.directhomemedical.com/cart/merchant.mvc?Screen=PROD&Product_Code=westmed-comfort-soft-plus-cannulas-4-foot&Store_Code=DHM&gclid=EAIaIQobChMI962Y-Ji2-gIVXRmtBh10zQVkeEAQYCSABEgI7hPD_BwE.*

(80) **Hague Agreement Data**
Int. Filing Date: **Dec. 23, 2021**
Int. Reg. No.: **DM/218405**
Int. Reg. Date: **Dec. 23, 2021**
Int. Reg. Pub. Date: **Jan. 28, 2022**

(51) **LOC (14) Cl.** **29-02**
(52) **U.S. Cl.**
USPC **D24/110.4**
(58) **Field of Classification Search**
USPC D24/110.1, 110.2, 110.4, 110.5, 112, 110
CPC A61M 16/0833; A61M 16/0683; A61M
16/0816; A61M 16/0622
See application file for complete search history.

* cited by examiner

Primary Examiner — Rhea Shields

(56) **References Cited**

U.S. PATENT DOCUMENTS

D228,692 S * 10/1973 King D24/112
4,446,869 A * 5/1984 Knodle A61B 5/097
128/205.12
5,375,593 A * 12/1994 Press A61M 16/0666
128/207.18
7,178,525 B2 * 2/2007 Matula, Jr. A61M 16/0616
128/207.11
D637,285 S * 5/2011 Bradley D24/110.5
D665,496 S * 8/2012 Lee D24/110.5
D744,637 S * 12/2015 Scampoli D24/110.5
D745,141 S * 12/2015 Hung A61M 16/0816
D24/110.5
D752,735 S * 3/2016 Scampoli D24/110.5
D849,243 S * 5/2019 Wilson D24/110.4
D859,646 S * 9/2019 Scampoli D24/110
D881,382 S * 4/2020 Chang D24/110.5

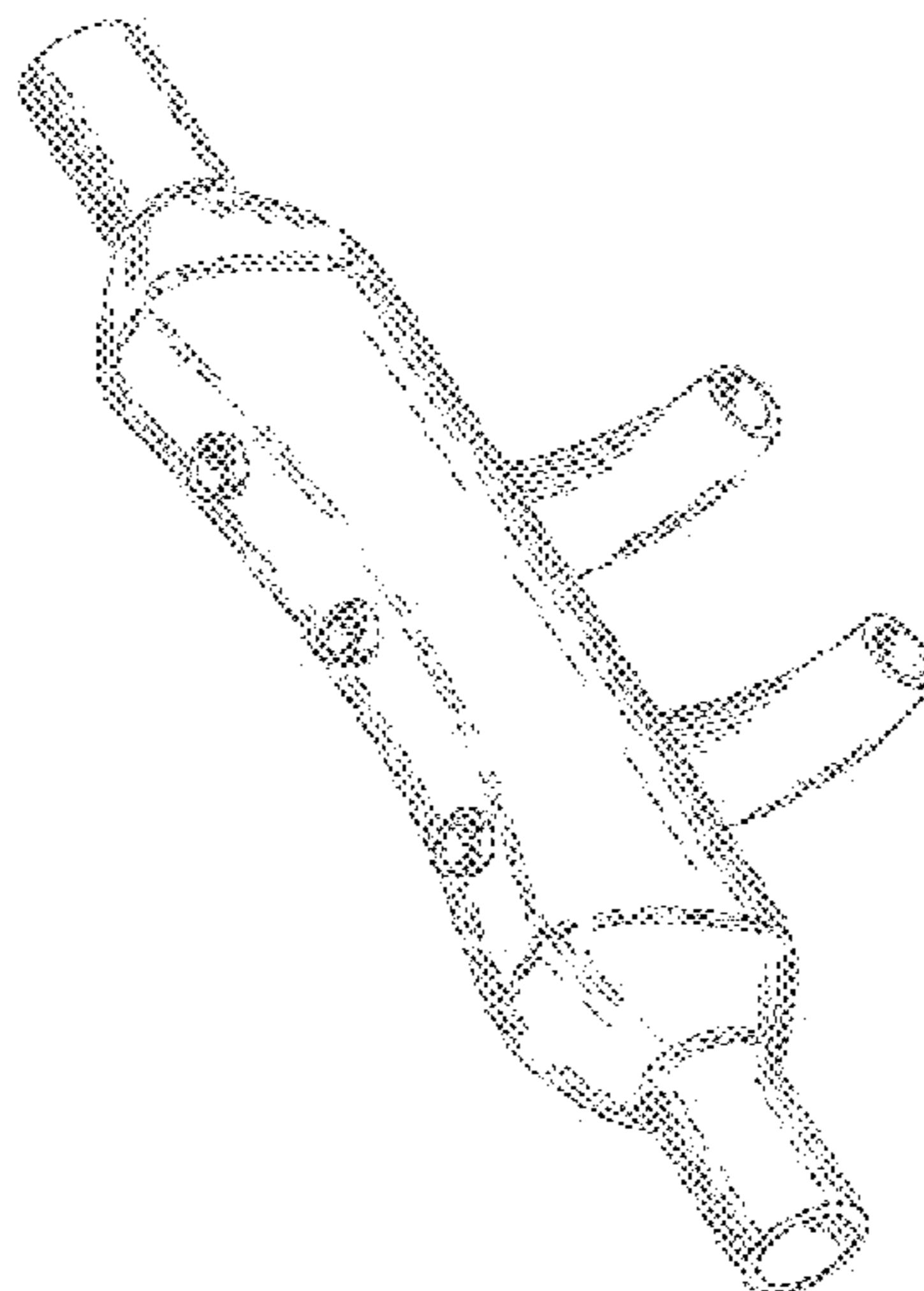
(57) **CLAIM**

The ornamental design for a bidirectional nasal cannula, as shown and described.

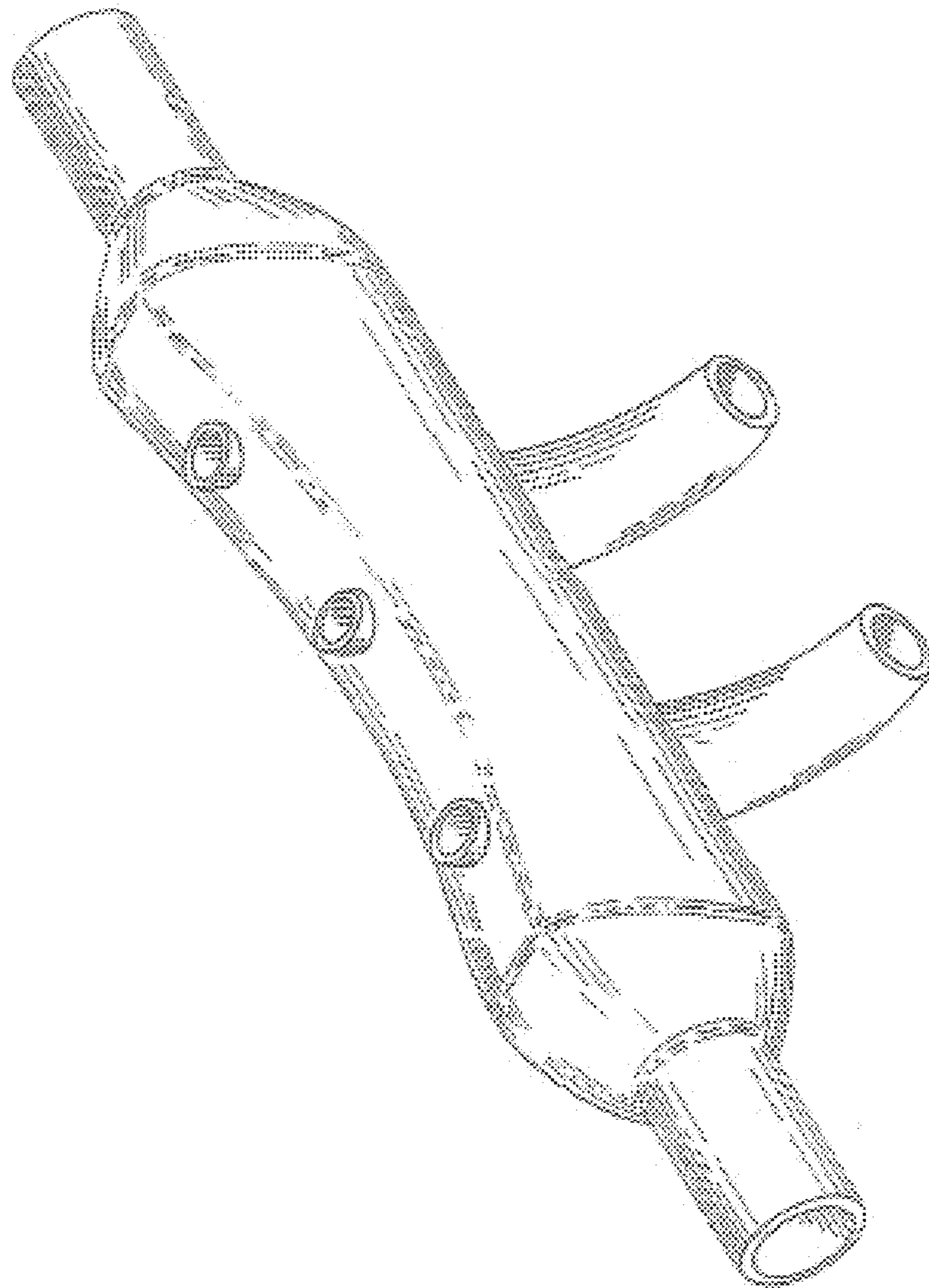
DESCRIPTION

- 1. Bidirectional nasal cannula
- 1.1 : Perspective
- 1.2 : Front
- 1.3 : Inverted plan view
- 1.4 : Left
- 1.5 : Right
- 1.6 : Back
- 1.7 : Plan view

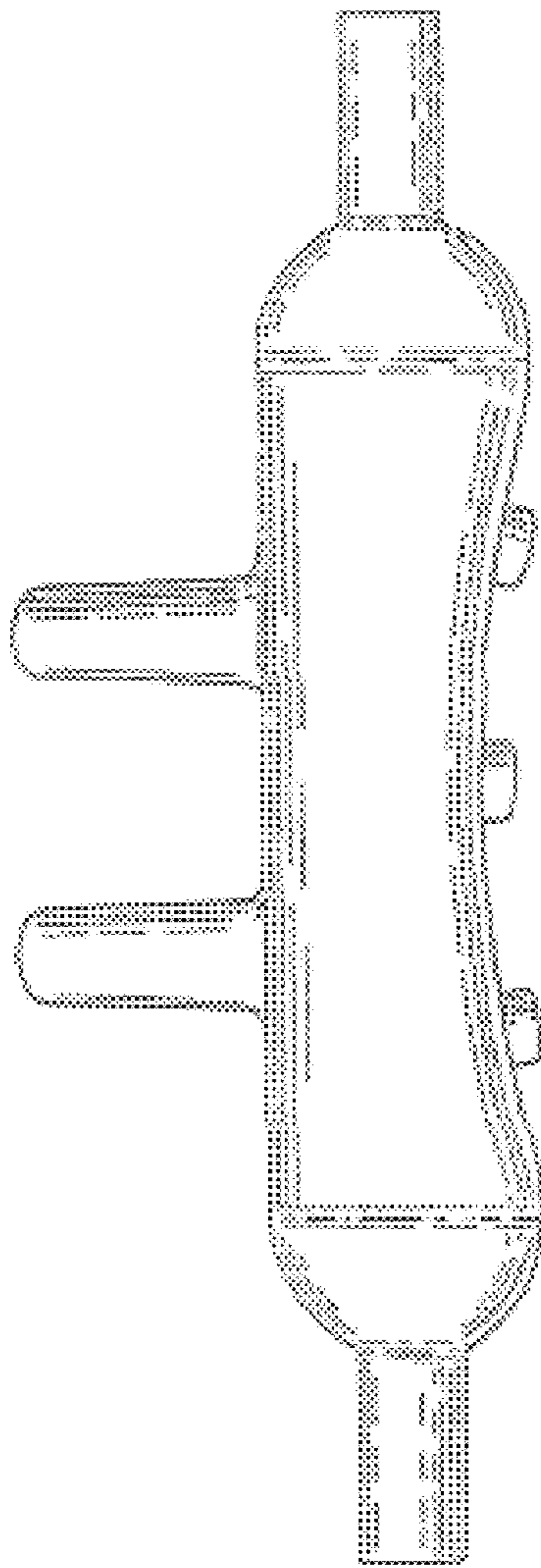
1 Claim, 7 Drawing Sheets



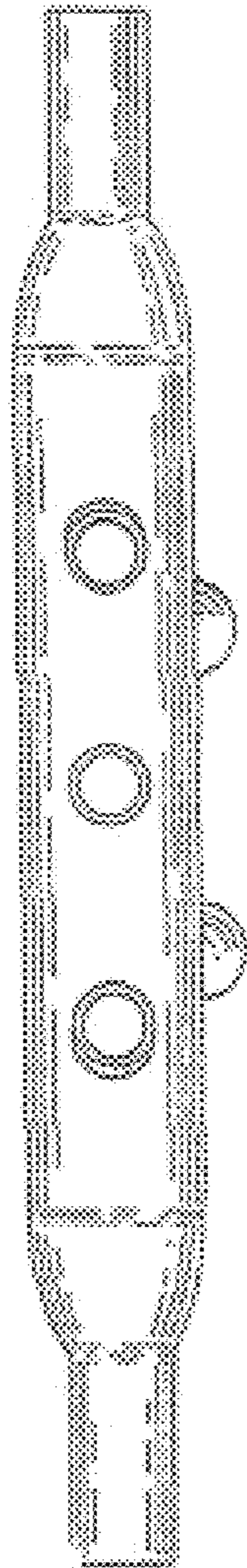
1.1



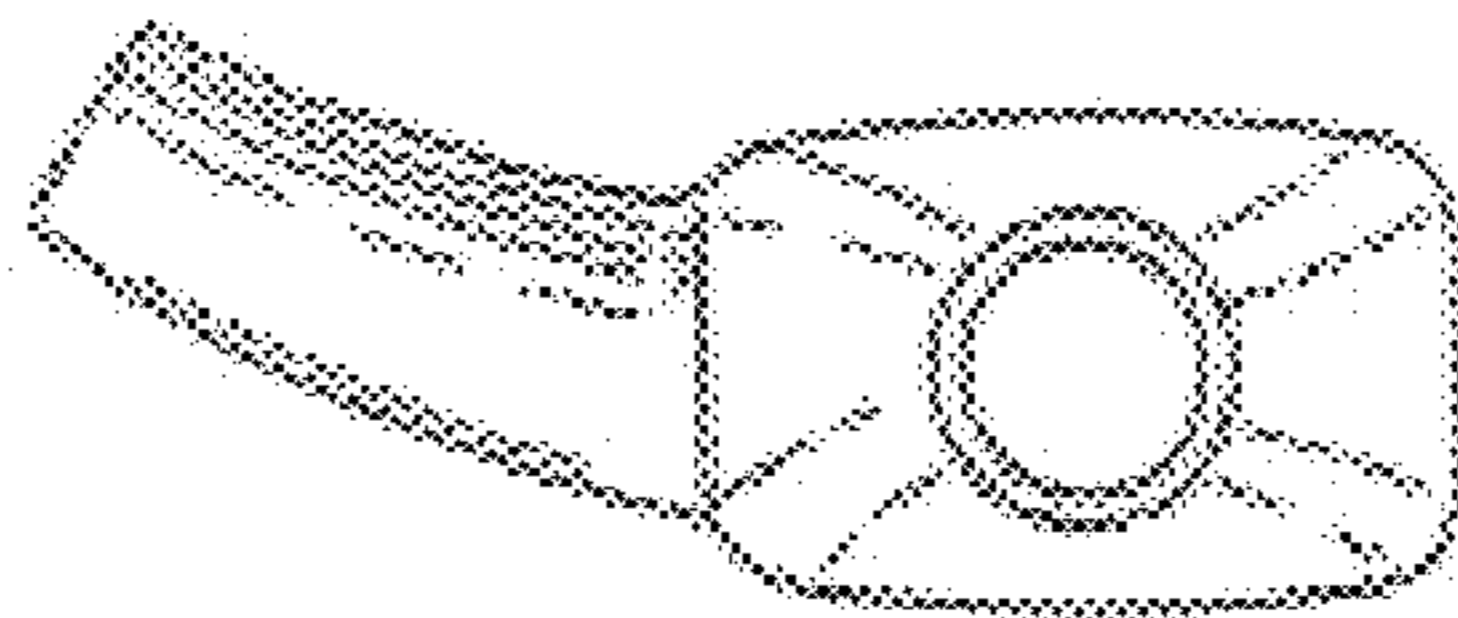
1.2



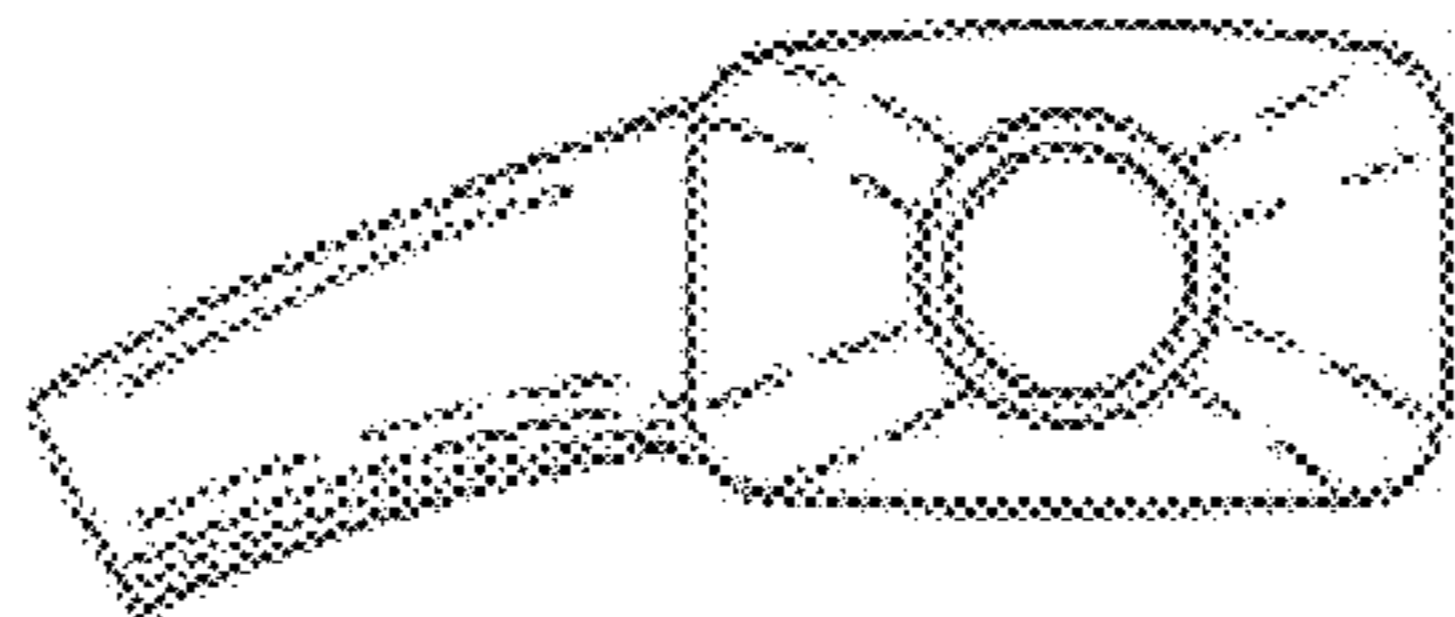
1.3



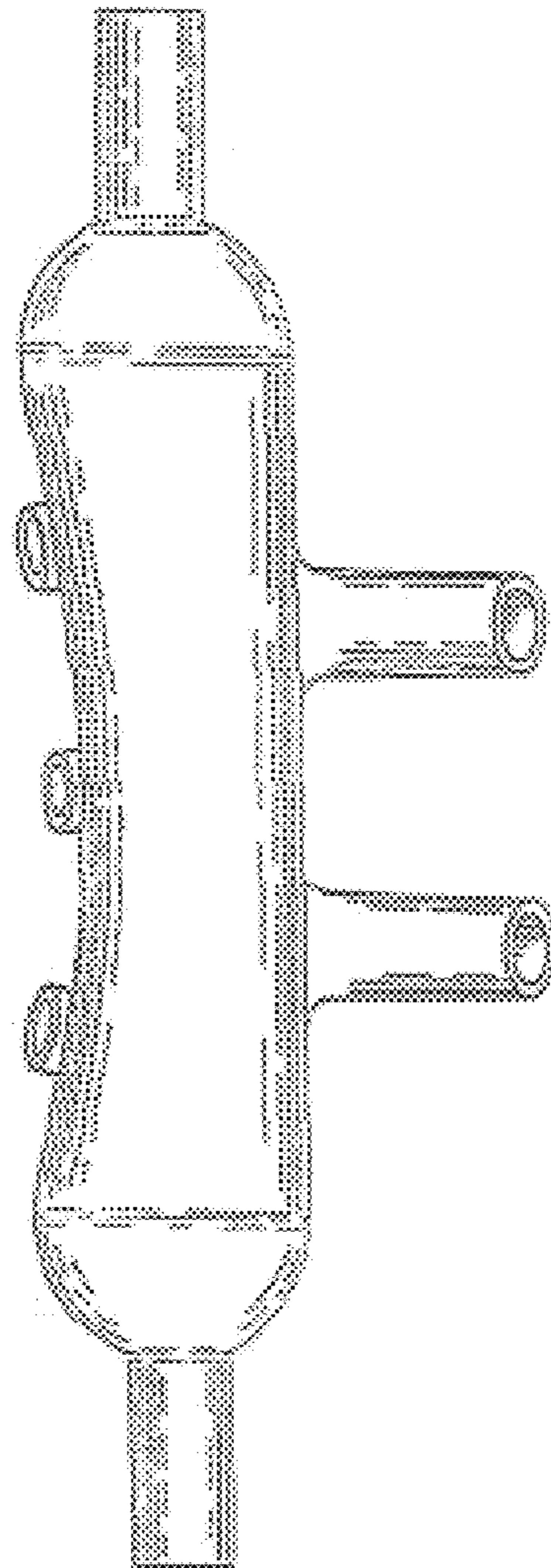
1.4



1.5



1.6



1.7

