



US00D978333S

(12) **United States Design Patent** (10) **Patent No.:** **US D978,333 S**  
**Schwalm et al.** (45) **Date of Patent:** **\*\* Feb. 14, 2023**

(54) **MEDICAL MASK**  
(71) Applicant: **Inspir Labs Ltd.**, Migdalim (IL)  
(72) Inventors: **Eliyahu Schwalm**, Migdalim (IL);  
**Nadav Nahmias**, Tel Aviv (IL)  
(73) Assignee: **INSPIR LABS LTD.**, Herzliya (IL)  
(\*\*) Term: **15 Years**  
(21) Appl. No.: **35/513,428**

D564,089 S \* 3/2008 Chandran ..... D24/110.4  
D586,910 S \* 2/2009 Chandran ..... D24/110.4  
8,875,709 B2 \* 11/2014 Davidson ..... A61M 16/0875  
128/206.28  
RE45,985 E \* 4/2016 McAuley ..... D24/110.1  
D767,117 S \* 9/2016 Angert ..... D24/110.4  
D767,755 S \* 9/2016 D'Souza ..... D24/110.4  
9,592,359 B2 \* 3/2017 Kwok ..... A61M 16/0666  
9,981,105 B2 \* 5/2018 Selvarajan ..... A61M 16/06  
10,420,908 B2 \* 9/2019 Chodkowski ..... A61M 16/0622  
D862,685 S \* 10/2019 Carney ..... D24/110.4  
D868,242 S \* 11/2019 Baigent ..... D24/110.4  
(Continued)

(22) Filed: **Dec. 8, 2021**

**OTHER PUBLICATIONS**

(80) **Hague Agreement Data**  
Int. Filing Date: **Dec. 8, 2021**  
Int. Reg. No.: **DM/218413**  
Int. Reg. Date: **Dec. 8, 2021**  
Int. Reg. Pub. Date: **Jan. 28, 2022**

“Testing the Lumena . . . ” reference dated Jan. 4, 2022 on the internet at: <https://infomeddnews.com/testing-the-lumena-worlds-1st-aerosol-safe-niv-mask/>.  
(Continued)

(51) **LOC (14) Cl.** ..... **29-02**  
(52) **U.S. Cl.**  
USPC ..... **D24/110.4**

*Primary Examiner* — Rhea Shields  
(74) *Attorney, Agent, or Firm* — Vorys, Sater, Seymour and Pease LLP; Anthony P. Venturino; Maryellen Feehery Hank

(58) **Field of Classification Search**  
USPC ..... D24/110.1, 110.2, 110.4  
CPC ... B63C 11/16; A61M 16/06; A61M 16/0666;  
A61M 16/0875; A61M 16/0683; A61M  
16/208; A61M 16/0622  
See application file for complete search history.

(57) **CLAIM**  
The ornamental design for a medical mask, as shown and described.

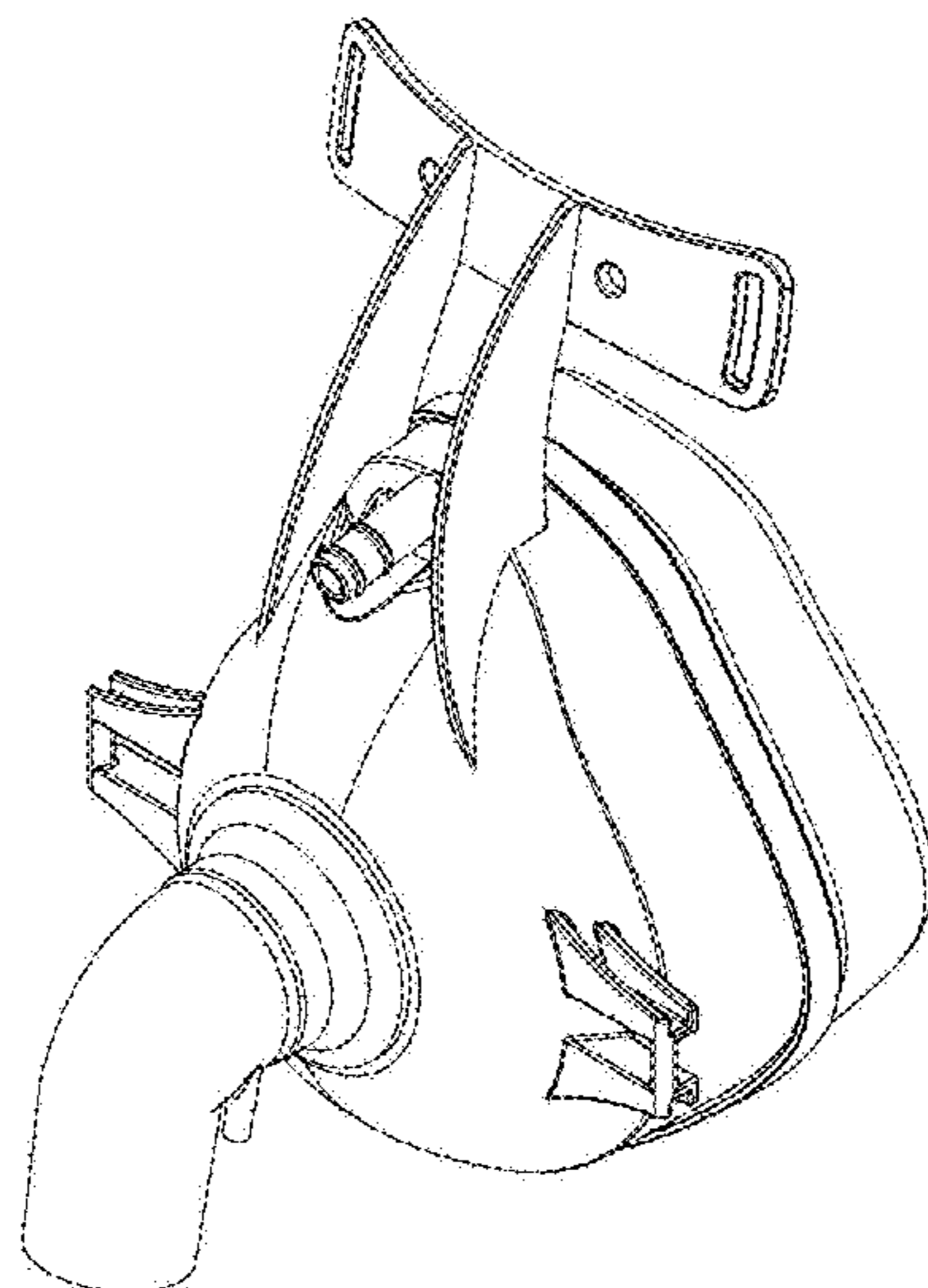
(56) **References Cited**  
**U.S. PATENT DOCUMENTS**

**DESCRIPTION**

D485,905 S \* 1/2004 Moore ..... D24/110.4  
D486,226 S \* 2/2004 Guney ..... D24/110.4  
D506,827 S \* 6/2005 Jones ..... D24/110.4  
D519,206 S \* 4/2006 Jones ..... D24/110.4  
D537,523 S \* 2/2007 Dantanarayana ..... D24/110.4  
D539,418 S \* 3/2007 Jones ..... D24/110.4  
7,290,546 B2 \* 11/2007 Sprinkle ..... A61M 16/0683  
128/207.13  
D557,408 S \* 12/2007 Amarasinghe ..... D24/110.4  
D557,411 S \* 12/2007 Smart ..... D24/110.4

1. Medical mask  
1.1 : Front  
1.2 : Back  
1.3 : Right  
1.4 : Left  
1.5 : Top  
1.6 : Bottom  
1.7 : Perspective top front view  
1.8 : Perspective bottom back view  
The broken lines do not represent part of the claimed design.

**1 Claim, 8 Drawing Sheets**



(56)

**References Cited**

U.S. PATENT DOCUMENTS

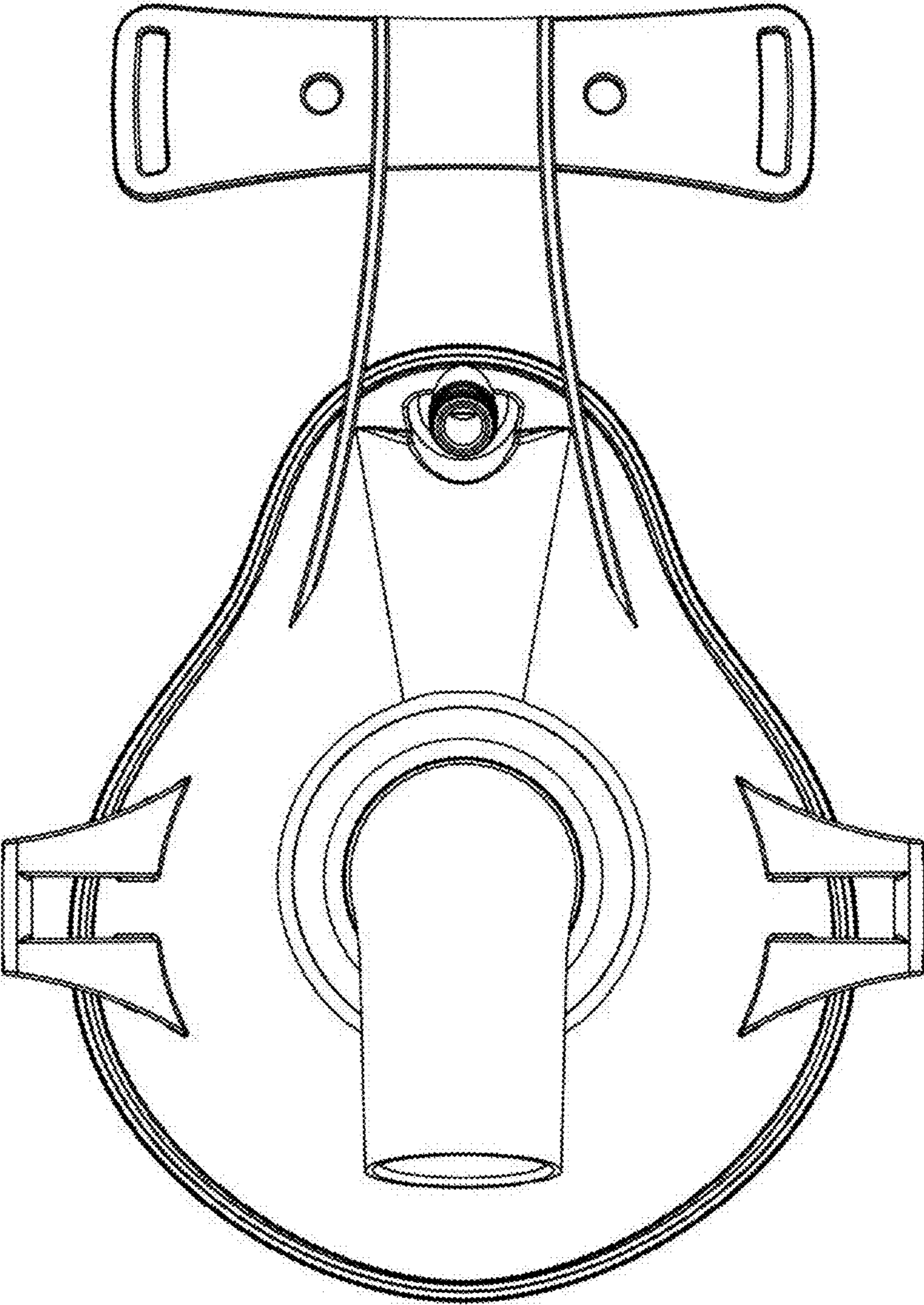
D884,152 S \* 5/2020 Law ..... D24/110.4  
D895,105 S \* 9/2020 Eves ..... D24/110.4  
10,828,452 B2 \* 11/2020 Huddart ..... A61M 16/208  
D930,151 S \* 9/2021 Pedro ..... D24/110.4  
D956,206 S \* 6/2022 Eves ..... D24/110.1  
D959,647 S \* 8/2022 Law ..... D24/110.4  
11,401,017 B2 \* 8/2022 Gamberini ..... B63C 11/16

OTHER PUBLICATIONS

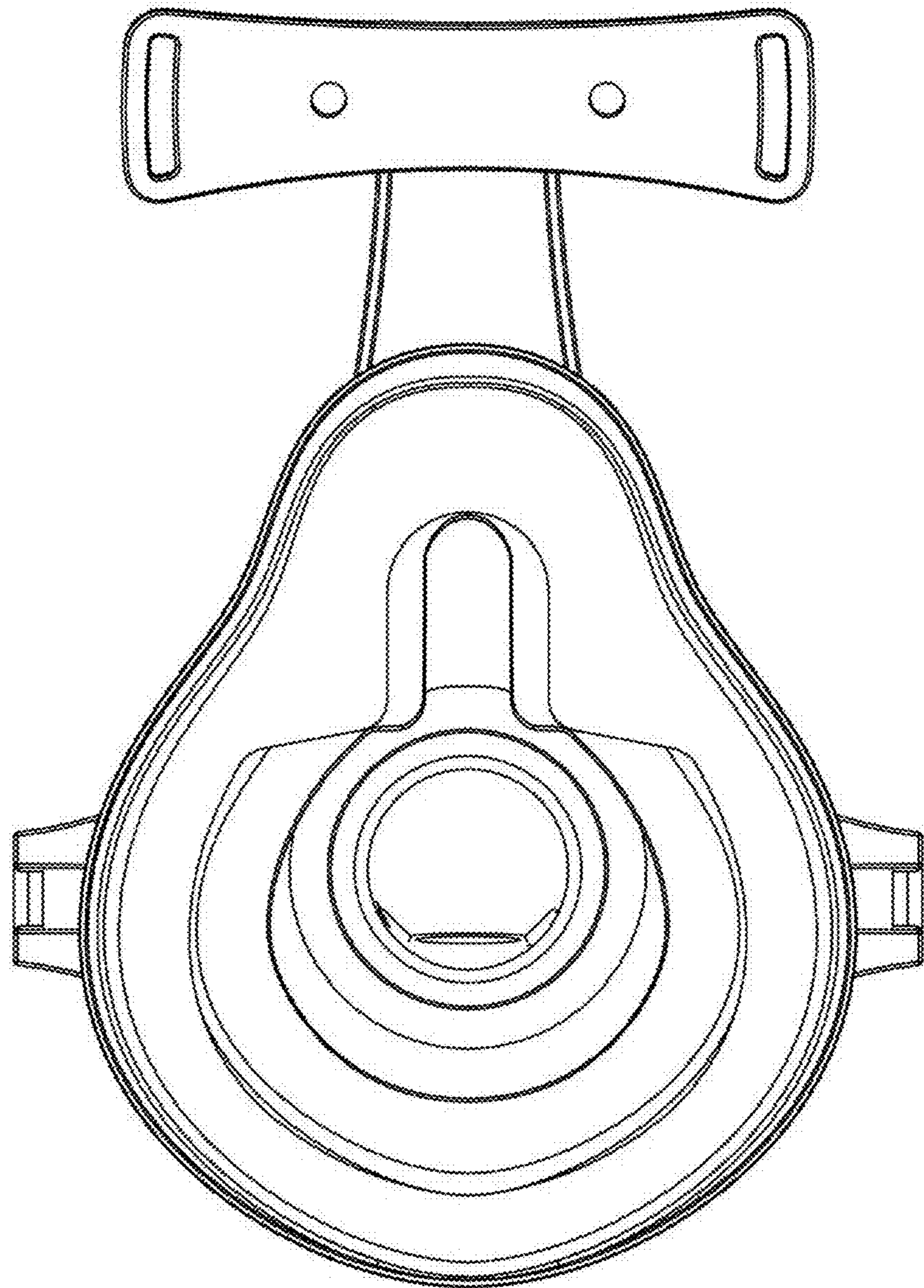
“Philips REspirionics . . . ” reference dated May 25, 2020 on the internet at: [https://www.apriadirect.com/philips-respironics-comfort-gel-blue-cpap-nasal-mask-with-headgear?gclid=EAIalQobChMlyrHfimey3-gIViqjICh1GTQBIEAQYASABEgL61PD\\_BwE.\\*](https://www.apriadirect.com/philips-respironics-comfort-gel-blue-cpap-nasal-mask-with-headgear?gclid=EAIalQobChMlyrHfimey3-gIViqjICh1GTQBIEAQYASABEgL61PD_BwE.*)

\* cited by examiner

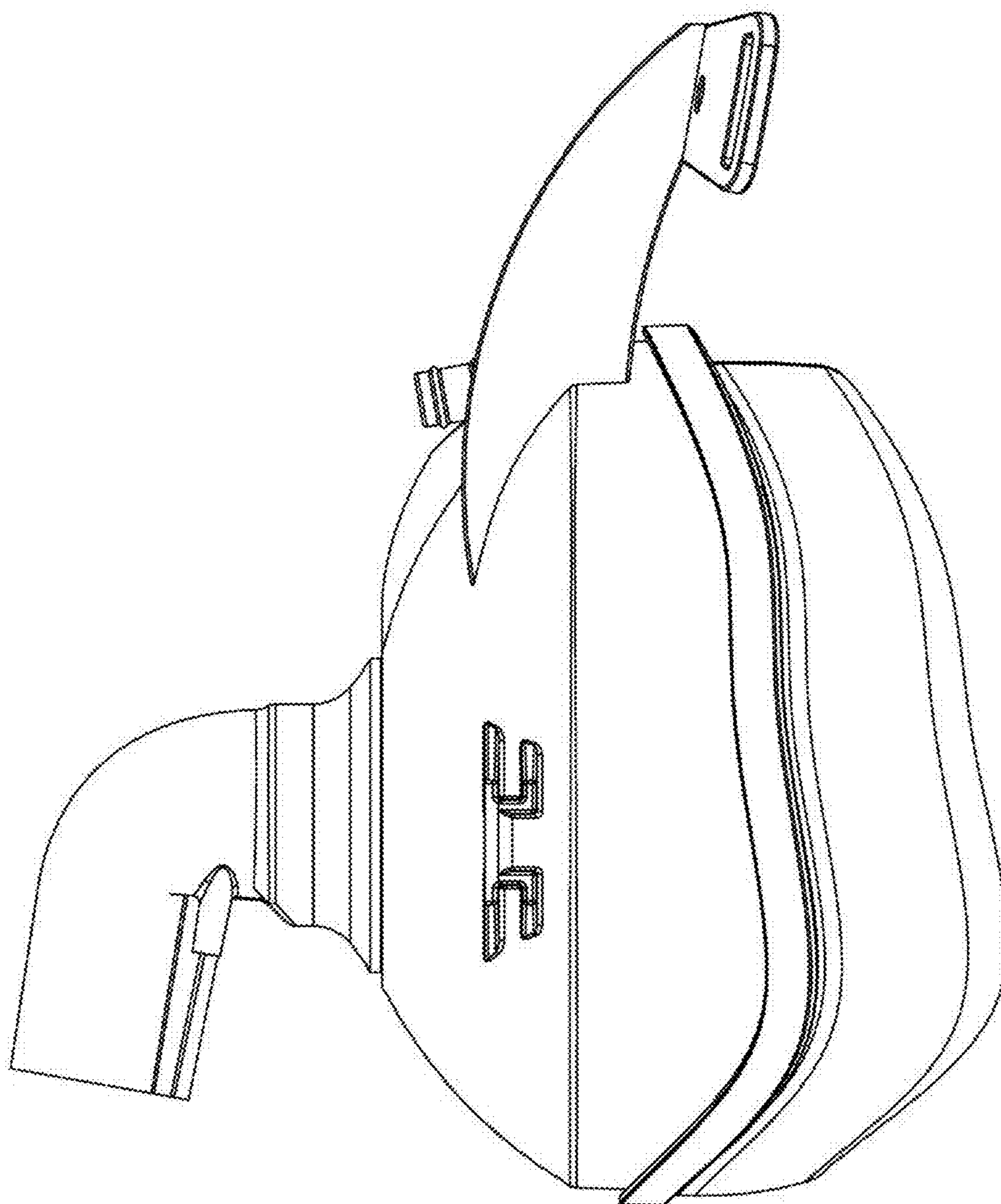
1.1



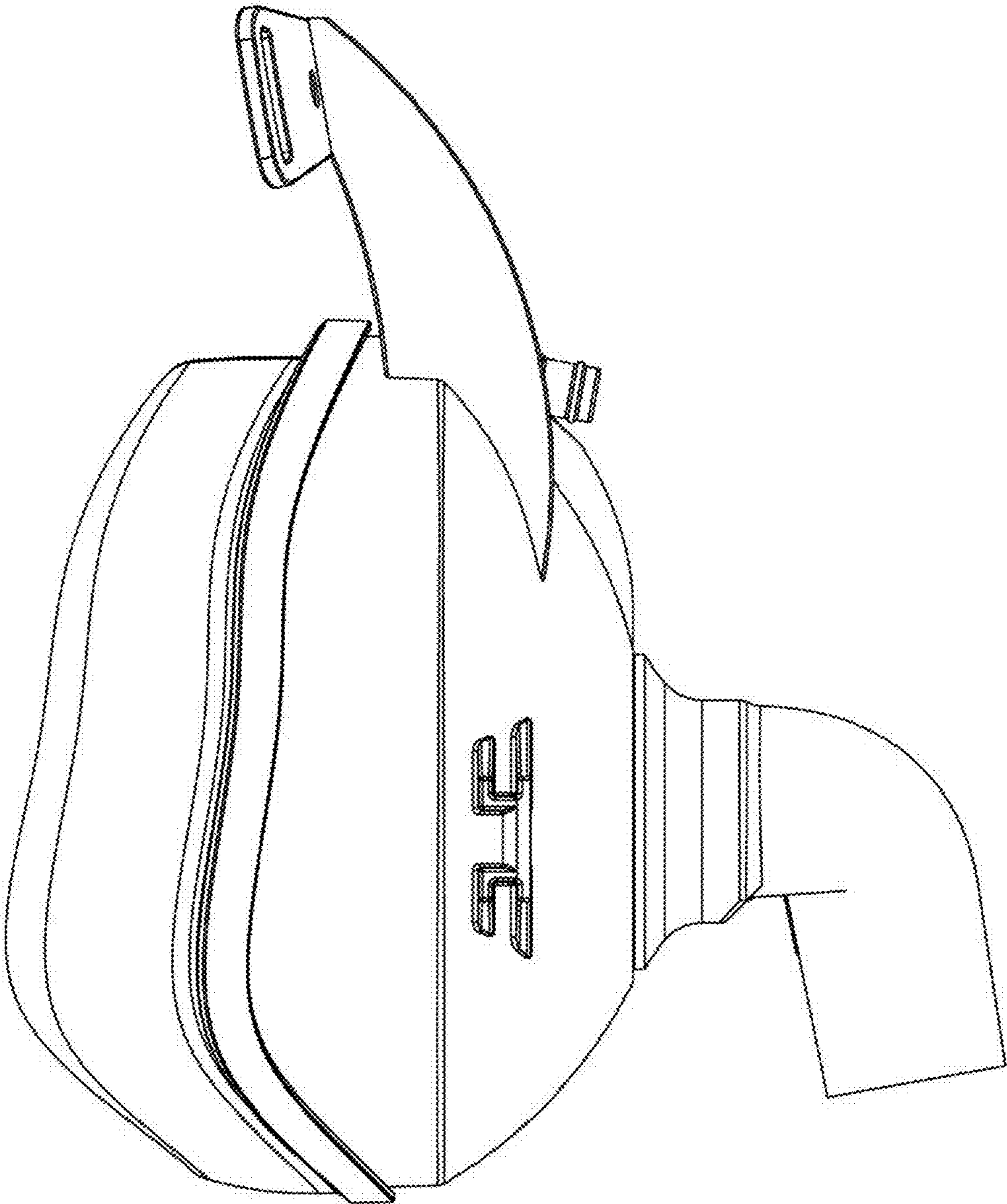
1.2



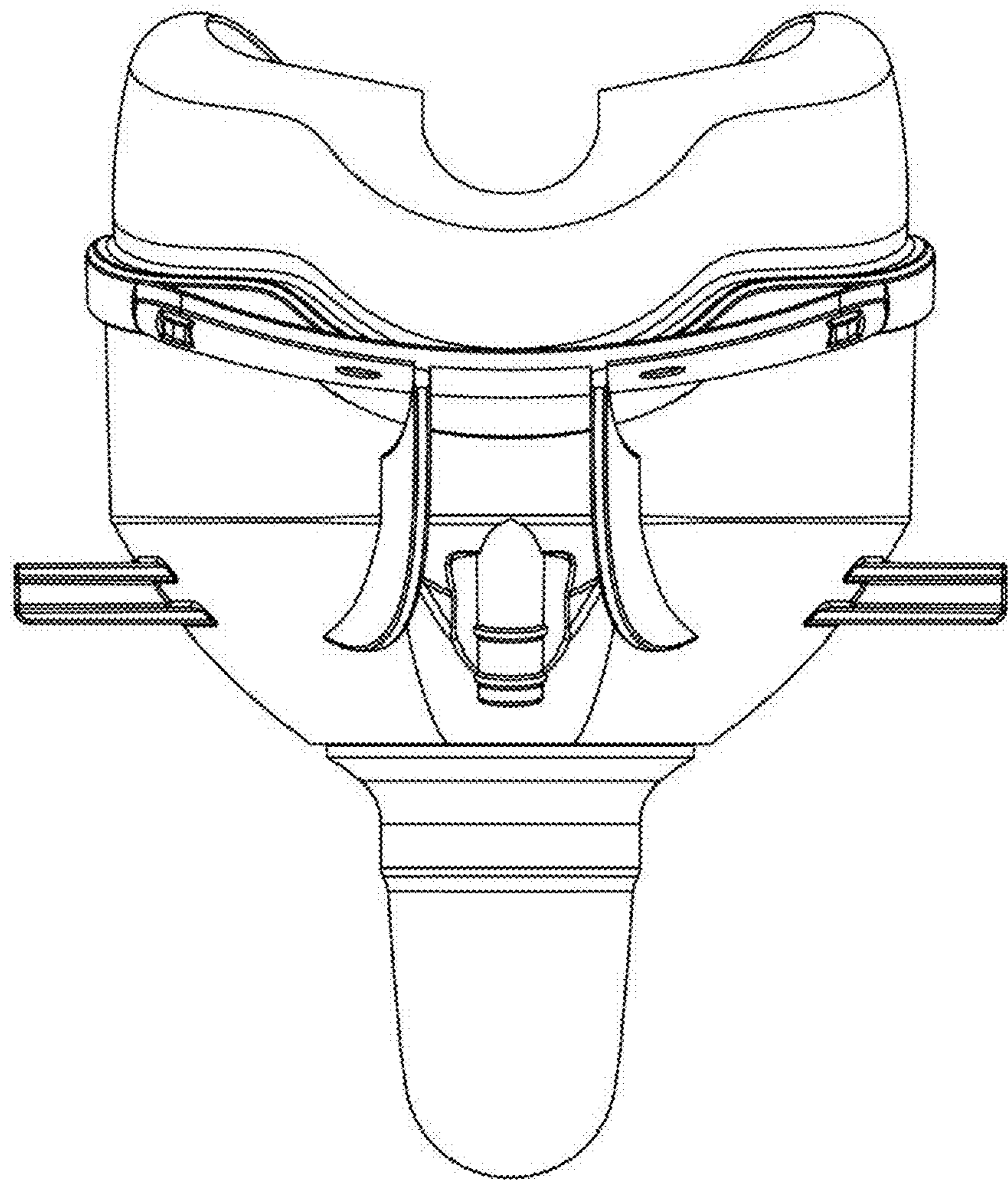
1.3



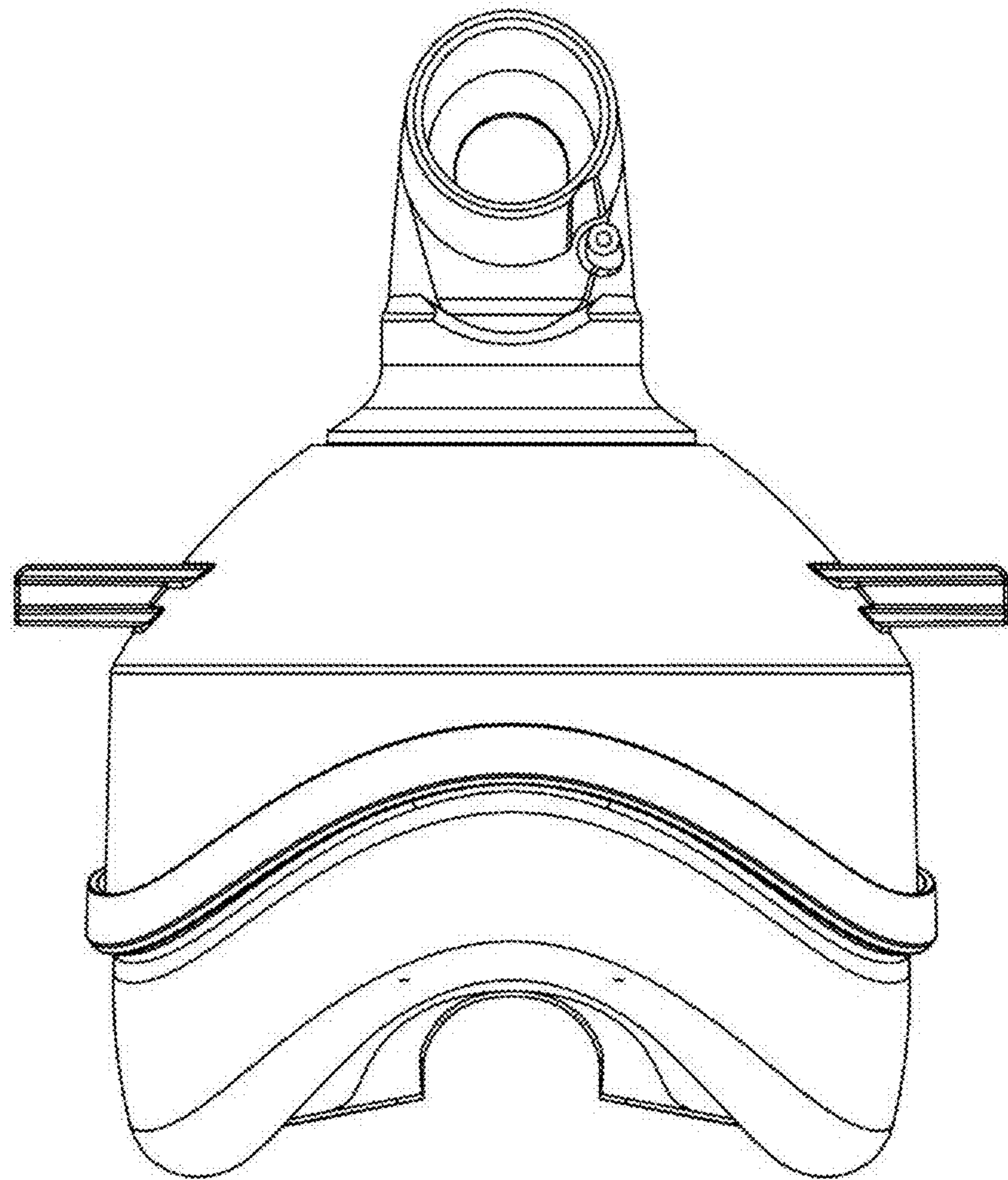
1.4



1.5

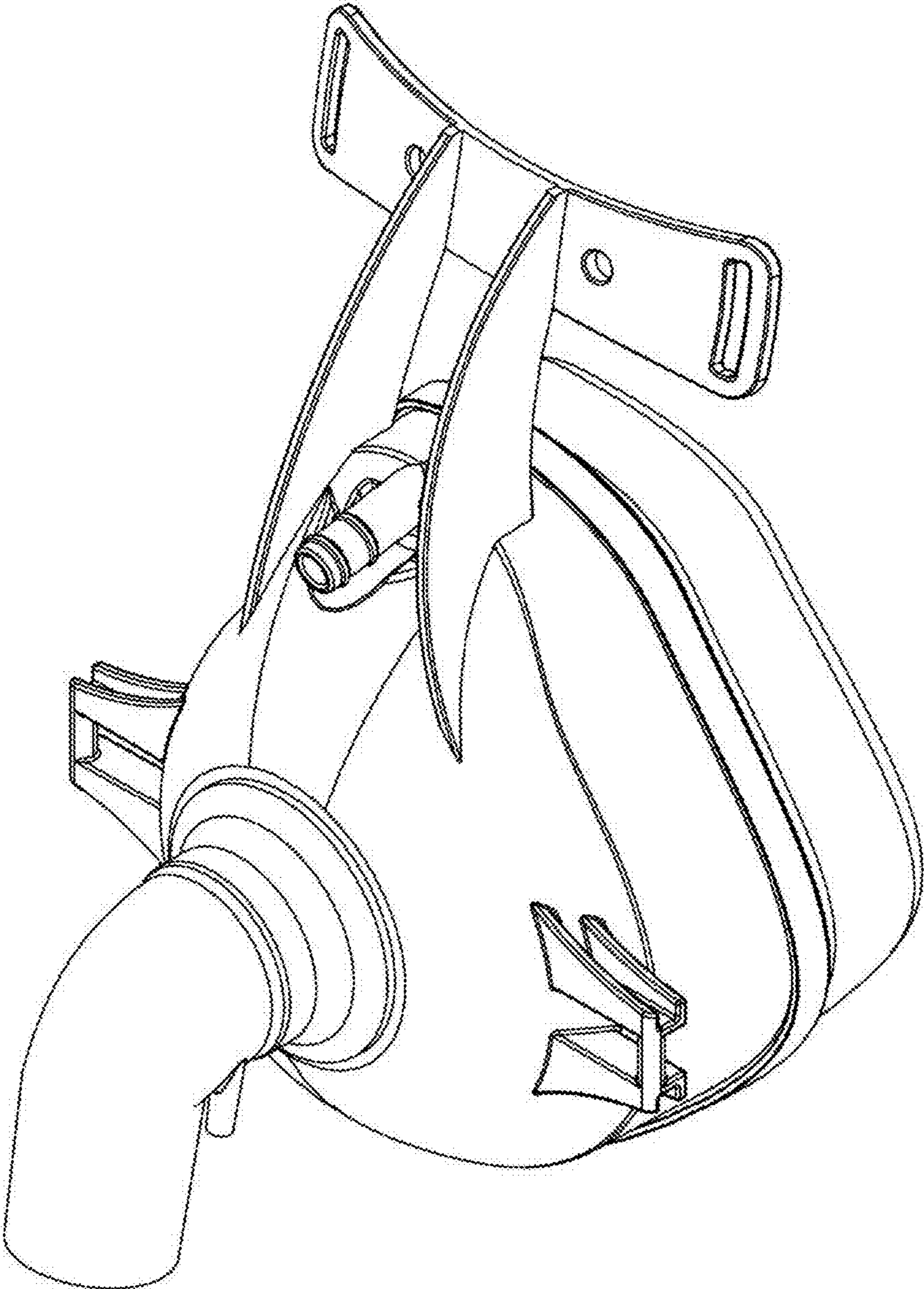


1.6

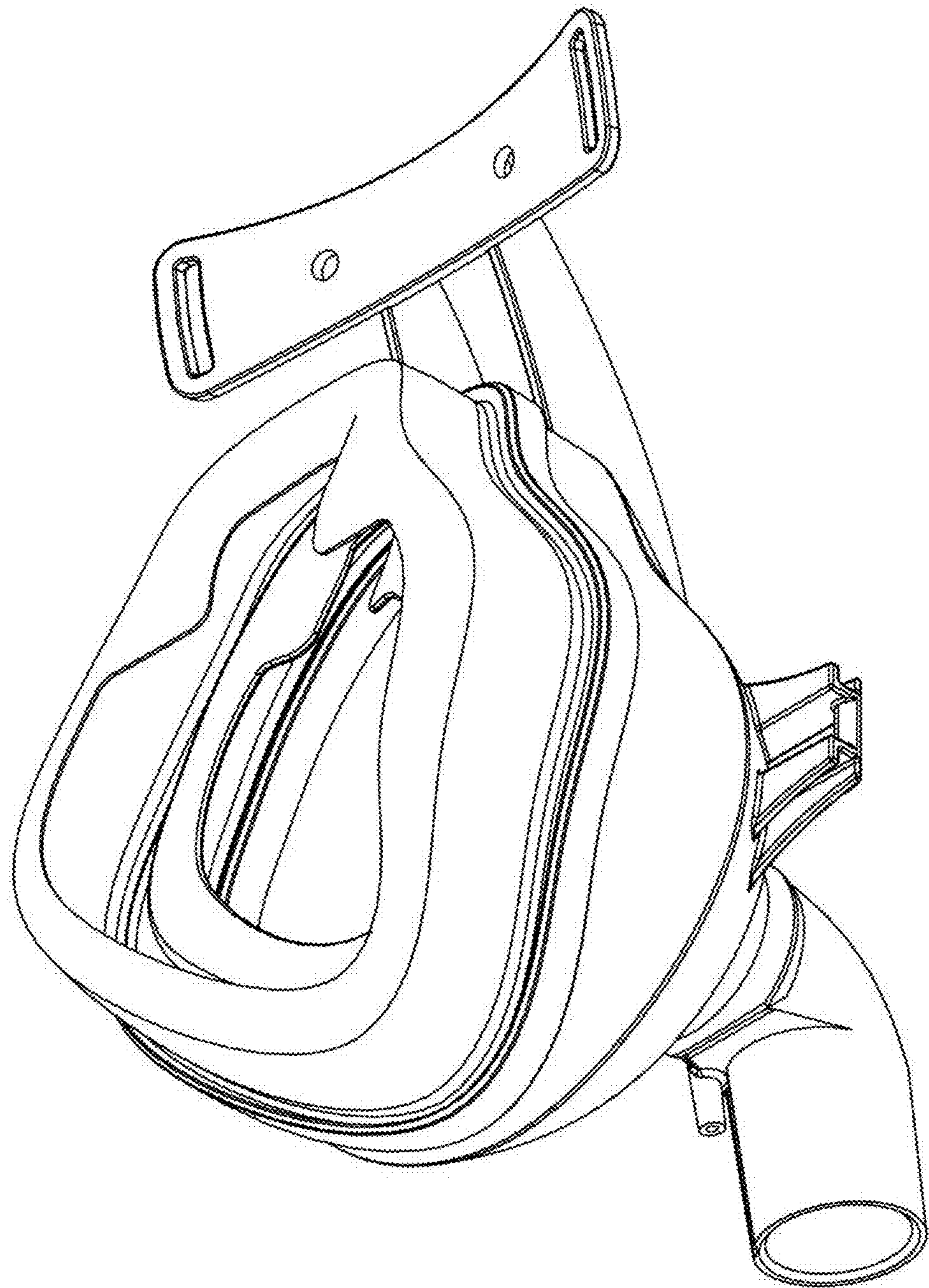




1.7



1.8



UNITED STATES PATENT AND TRADEMARK OFFICE  
**CERTIFICATE OF CORRECTION**

PATENT NO. : D978,333 S  
APPLICATION NO. : 35/513428  
DATED : February 14, 2023  
INVENTOR(S) : Schwaim et al.

Page 1 of 1

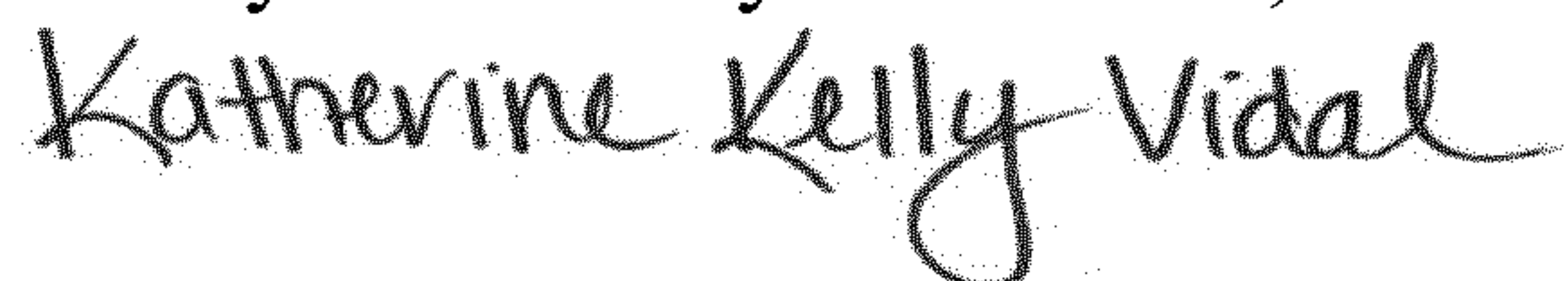
It is certified that error appears in the above-identified patent and that said Letters Patent is hereby corrected as shown below:

On the Title Page

Insert:

--(30) Foreign Application Priority Data  
June 10, 2021 (IL) 67130--

Signed and Sealed this  
Twenty-fourth Day of October, 2023



Katherine Kelly Vidal  
*Director of the United States Patent and Trademark Office*