



US00D978327S

(12) **United States Design Patent** (10) **Patent No.:** **US D978,327 S**
Carlton (45) **Date of Patent:** **** Feb. 14, 2023**

- (54) **INHALER** 4,926,852 A * 5/1990 Zoltan A61M 15/0086
128/200.23
- (71) Applicants: **Iris Call Carlton**, San Diego, CA (US); D416,085 S * 11/1999 Forssell D24/110
Nicole Gabrielle, San Diego, CA (US) D416,621 S * 11/1999 Forssell D24/110
6,230,704 B1 * 5/2001 Durkin A61M 15/0086
128/200.22
- (72) Inventor: **Iris Call Carlton**, Los Angeles, CA D446,578 S * 8/2001 Jansen D24/114
(US) 6,397,837 B1 * 6/2002 Ferris A61M 15/009
128/200.14
- (73) Assignees: **Iris Call Carlton**, San Diego, CA (US); 6,814,072 B1 * 11/2004 Seppala A61M 15/0065
Nicole Gabrielle, San Diego, CA (US) 128/203.15
6,955,169 B2 * 10/2005 Khan A61M 15/0086
116/272
- (**) Term: **15 Years** 7,832,393 B2 * 11/2010 Vito A61M 15/0086
128/200.23
- (21) Appl. No.: **29/782,624** D659,819 S * 5/2012 Edwards D24/110
D701,599 S * 3/2014 Bengochea D24/110

(22) Filed: **May 7, 2021**

(51) **LOC (14) Cl.** **29-02**

(52) **U.S. Cl.**
USPC **D24/110**

(58) **Field of Classification Search**
USPC D24/107, 108, 110, 110.5, 127, 164;
D23/360
CPC A61M 15/00; A61M 15/0025; A61M
15/0026; A61M 15/005; A61M 15/0065;
A61M 15/0071; A61M 15/0091; A61M
11/00; A61M 11/02; A61M 11/04; A61K
9/007; A61K 9/0073; A61K 9/0075;
A61K 9/0078; A61K 9/008
See application file for complete search history.

(56) **References Cited**

U.S. PATENT DOCUMENTS

- D214,972 S * 8/1969 Katerndahl D24/110
- 3,826,413 A * 7/1974 Warren A61M 15/00
128/200.23

* cited by examiner

Primary Examiner — Richard Kearney

Assistant Examiner — Michael Hoffman

(74) *Attorney, Agent, or Firm* — ArentFox Schiff LLP

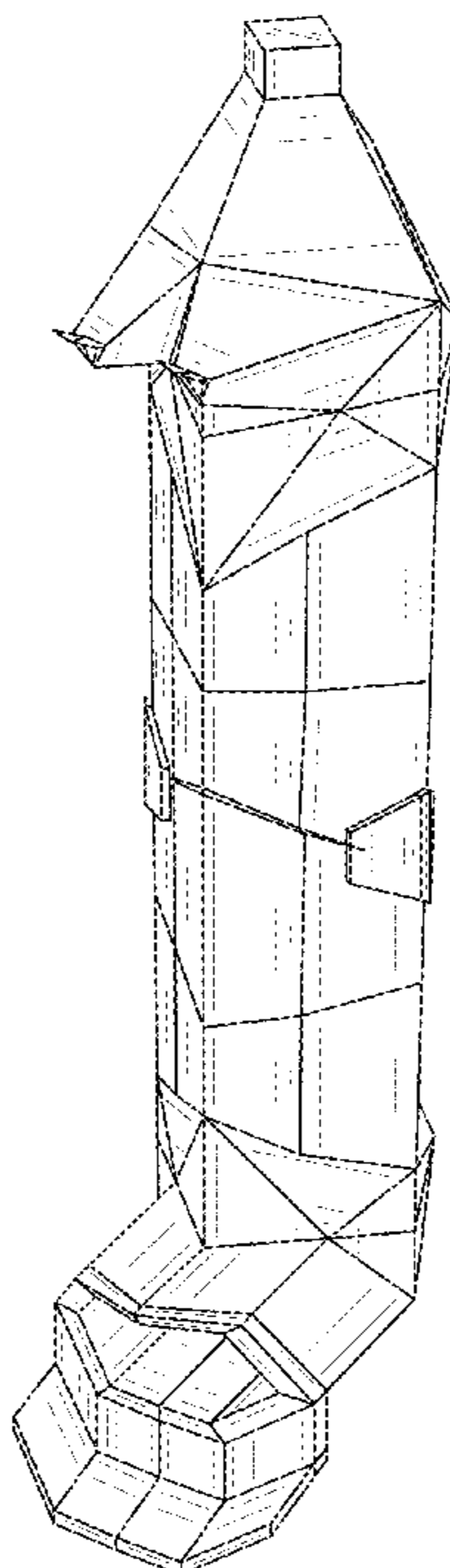
(57) **CLAIM**

The ornamental design for an inhaler, as shown and described.

DESCRIPTION

FIG. 1 is a top front right perspective of an inhaler showing our new design;
FIG. 2 is a front view of the design shown in FIG. 1;
FIG. 3 is a rear view of the design shown in FIG. 1;
FIG. 4 is a right side view of the design shown in FIG. 1, the left side view being a mirror image therefore;
FIG. 5 is a top view of the design shown in FIG. 1; and,
FIG. 6 is a bottom view of the design shown in FIG. 1.

1 Claim, 6 Drawing Sheets



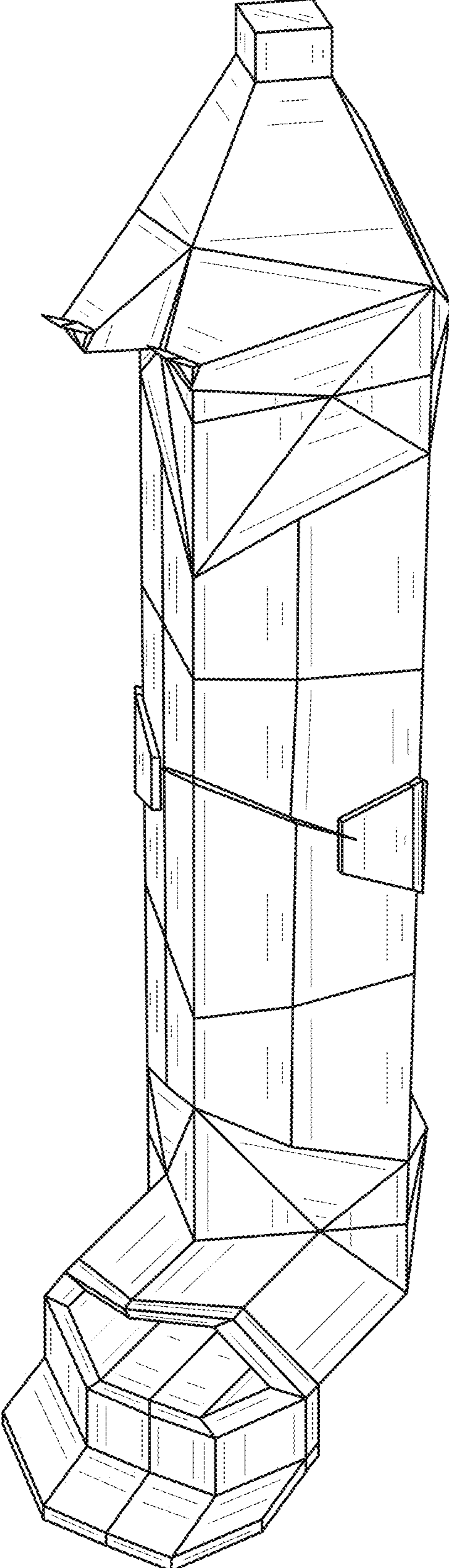


FIG. 1

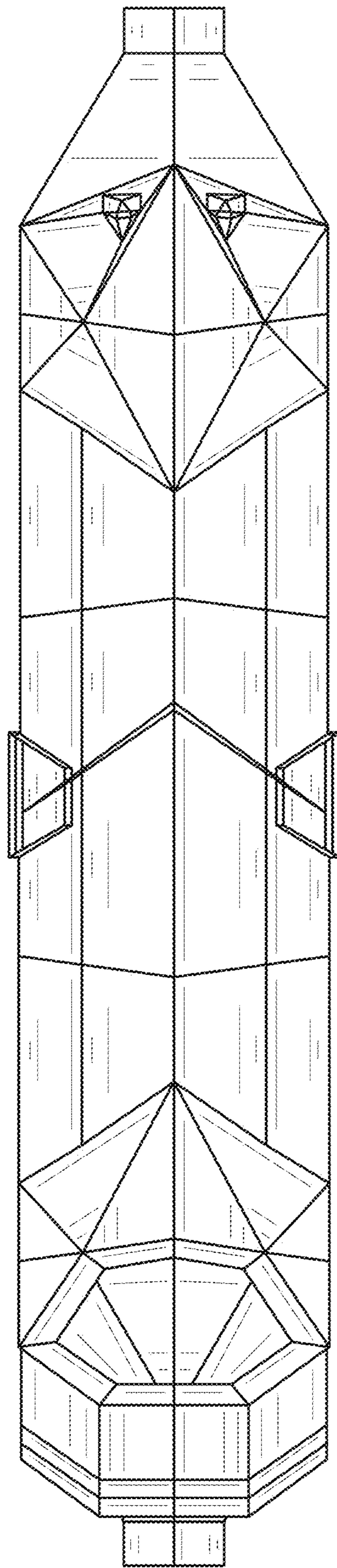


FIG. 2

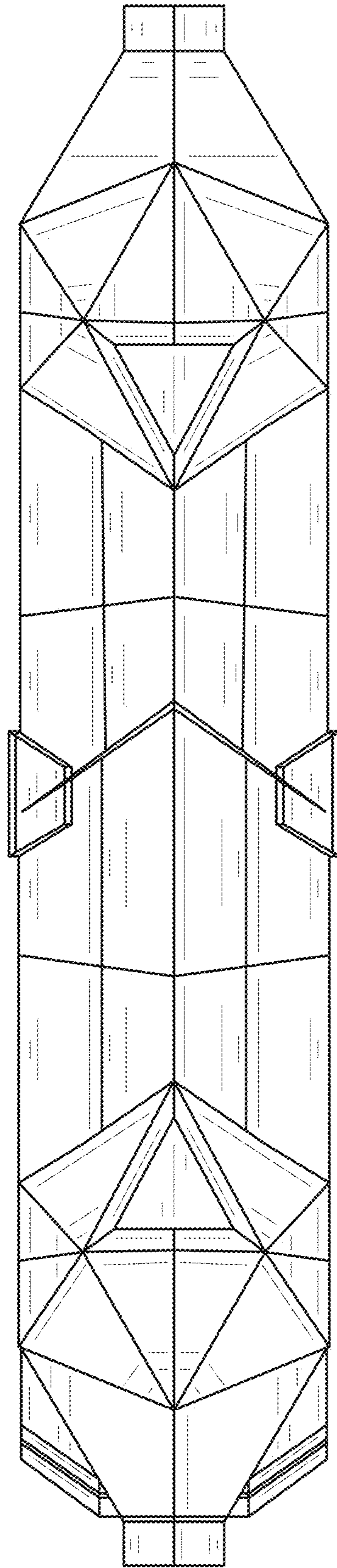


FIG. 3

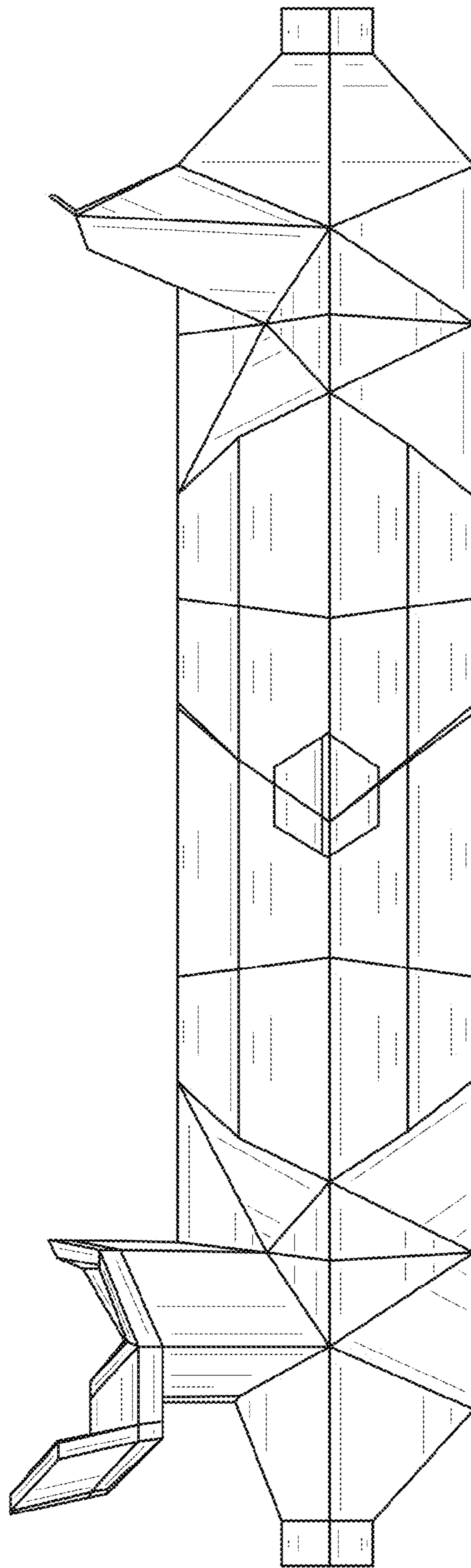


FIG. 4

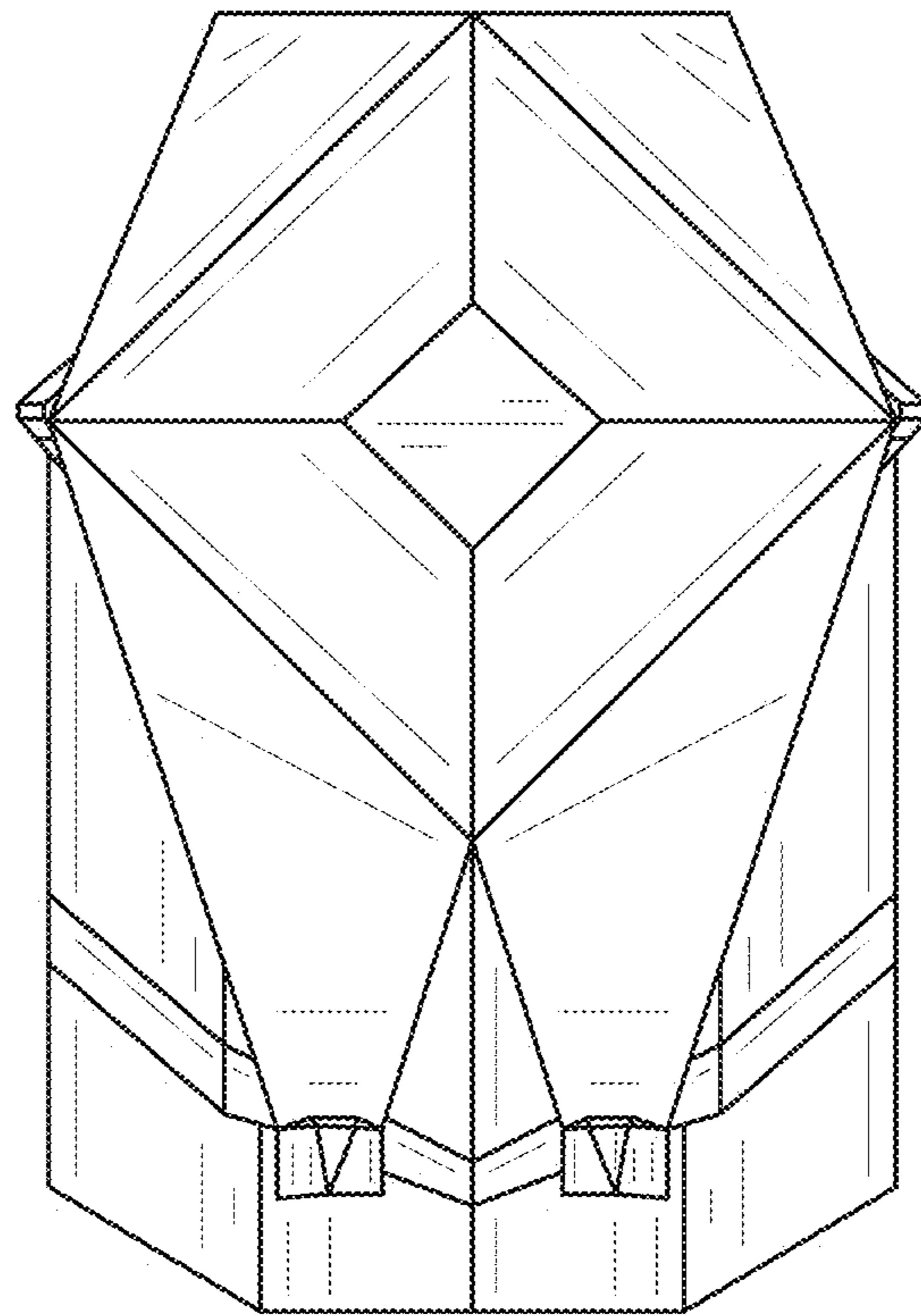


FIG. 5

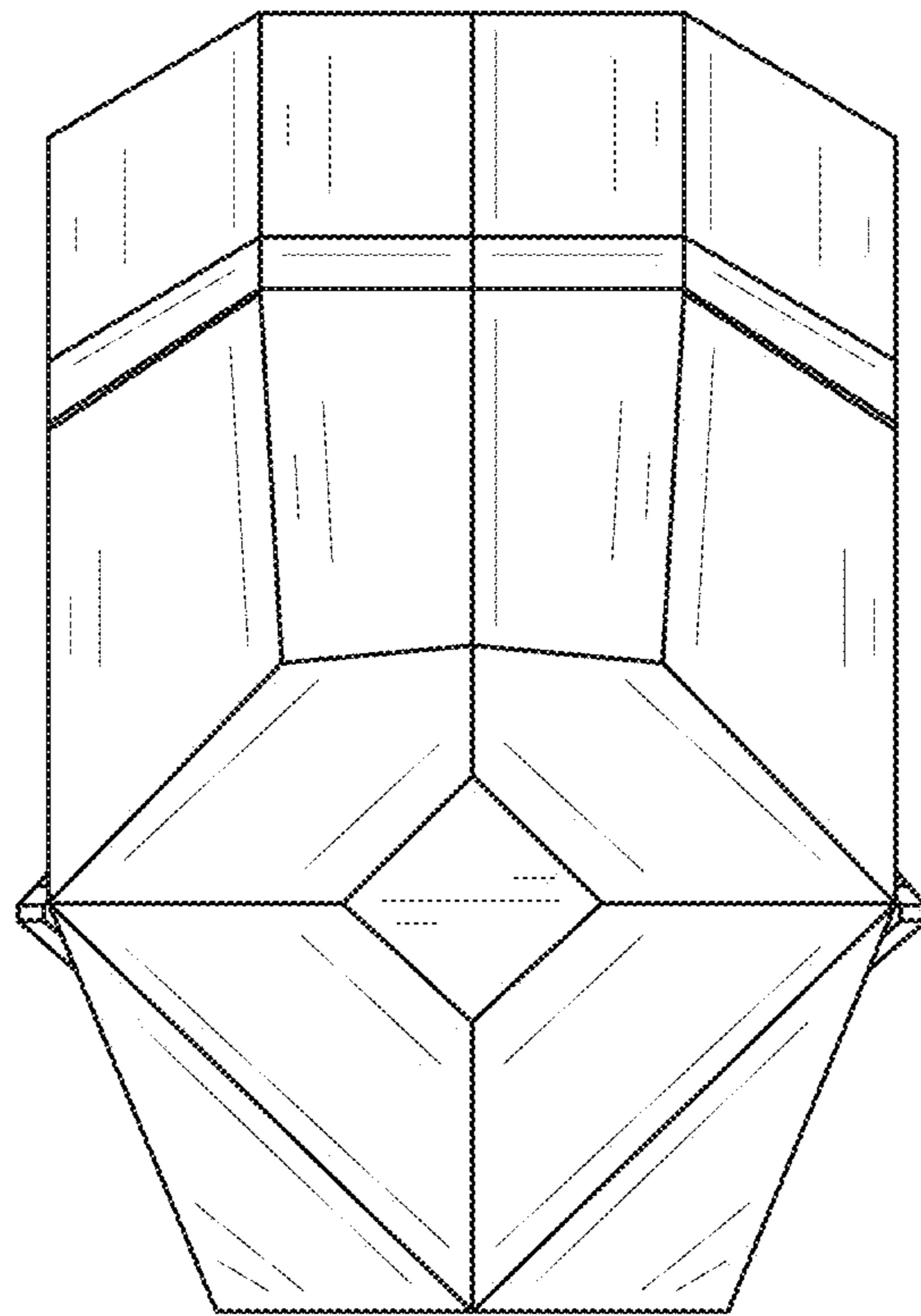


FIG. 6