



US00D978324S

(12) **United States Design Patent**
Lv

(10) **Patent No.:** **US D978,324 S**

(45) **Date of Patent:** **** Feb. 14, 2023**

(54) **FLUSH MOUNT CEILING FAN WITH LIGHT**

(71) Applicant: **Qingdao Haiyue Star E-Commerce Co., Ltd.**, Qingdao (CN)

(72) Inventor: **Guoyan Lv**, Zhaotong (CN)

(73) Assignee: **Qingdao Haiyue Star E-Commerce Co., Ltd.**, Qingdao (CN)

(**) Term: **15 Years**

(21) Appl. No.: **29/846,689**

(22) Filed: **Jul. 19, 2022**

(51) **LOC (14) Cl.** **23-04**

(52) **U.S. Cl.**
USPC **D23/377**; D26/59

(58) **Field of Classification Search**
USPC D23/370, 377, 379, 382, 385, 411-414;
D26/59
CPC F04D 25/088
See application file for complete search history.

(56) **References Cited**

U.S. PATENT DOCUMENTS

D209,249 S *	11/1967	Militello	D23/412
D231,355 S *	4/1974	Papst	D23/377
5,947,685 A *	9/1999	Yu	F04D 25/088 416/93 R
D629,095 S *	12/2010	Liu	D23/411
D676,543 S *	2/2013	Hiner	D23/385
D777,312 S *	1/2017	Badarello	D23/377
D789,507 S *	6/2017	Badarello	D23/377
D882,060 S *	4/2020	Wang	D23/382
D903,084 S *	11/2020	Huang	D23/385
D952,121 S *	5/2022	He	D23/382
D952,123 S *	5/2022	Searle	D23/382

D967,390 S *	10/2022	Shang	379/385
D969,295 S *	11/2022	Holmes Bradley	D23/377
2013/0026334 A1 *	1/2013	Long	F04D 17/00 248/675
2013/0038255 A1 *	2/2013	Trainque	F04D 25/088 318/376
2014/0255150 A1 *	9/2014	Di Falco	F04D 29/54 415/209.1
2022/0049718 A1 *	2/2022	Cunnane	F04D 29/545

OTHER PUBLICATIONS

Monard_Ceiling_Fans_with_Lights (available online) Retrieved from the internet Dec. 2, 2022 from URL: <https://www.amazon.com/Ceiling-Profile-Control-Dimmable-Bladeless/dp/B09MT4SRBG>.*

* cited by examiner

Primary Examiner — Richard Kearney

(74) *Attorney, Agent, or Firm* — Nitin Kaushik

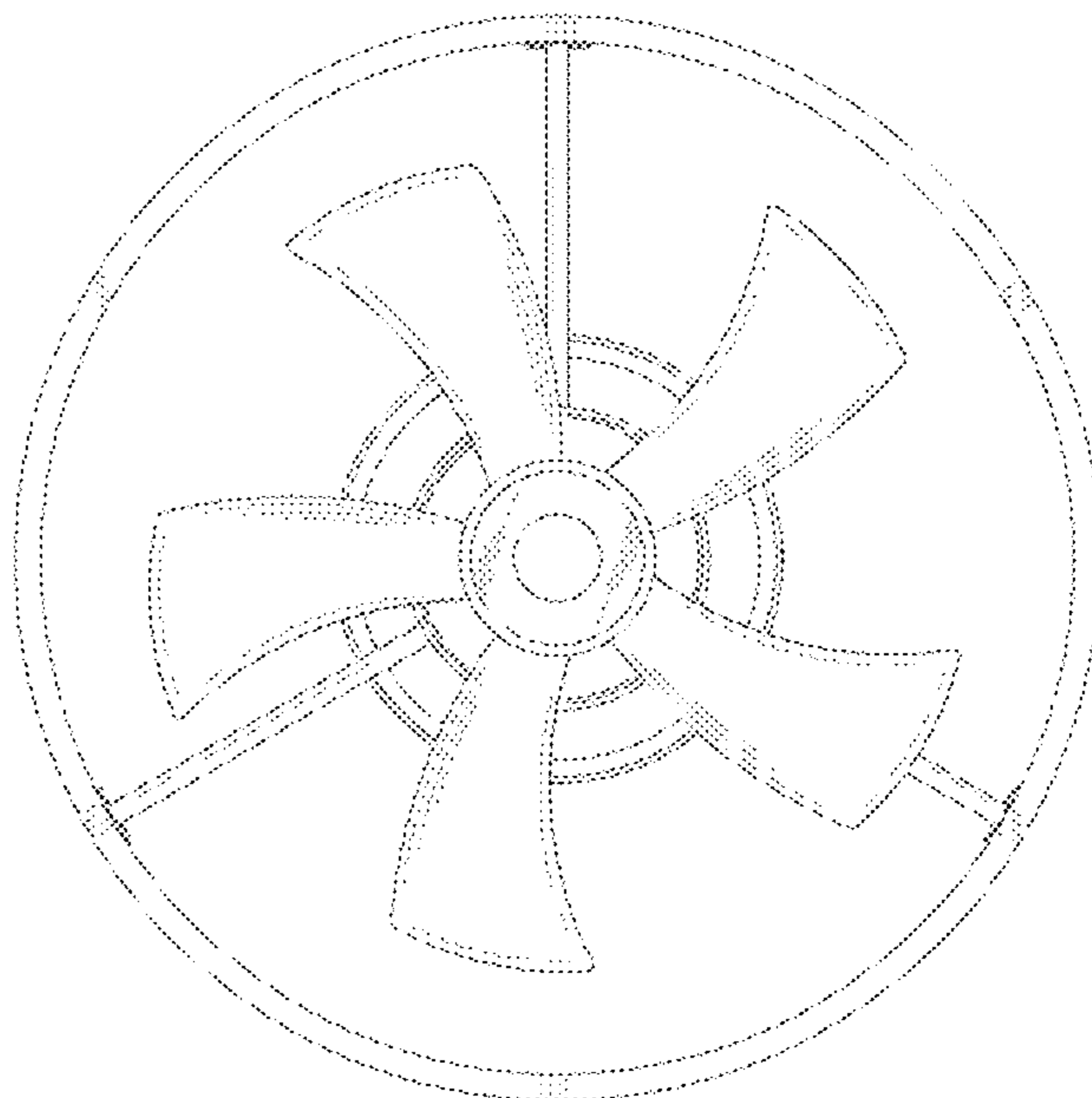
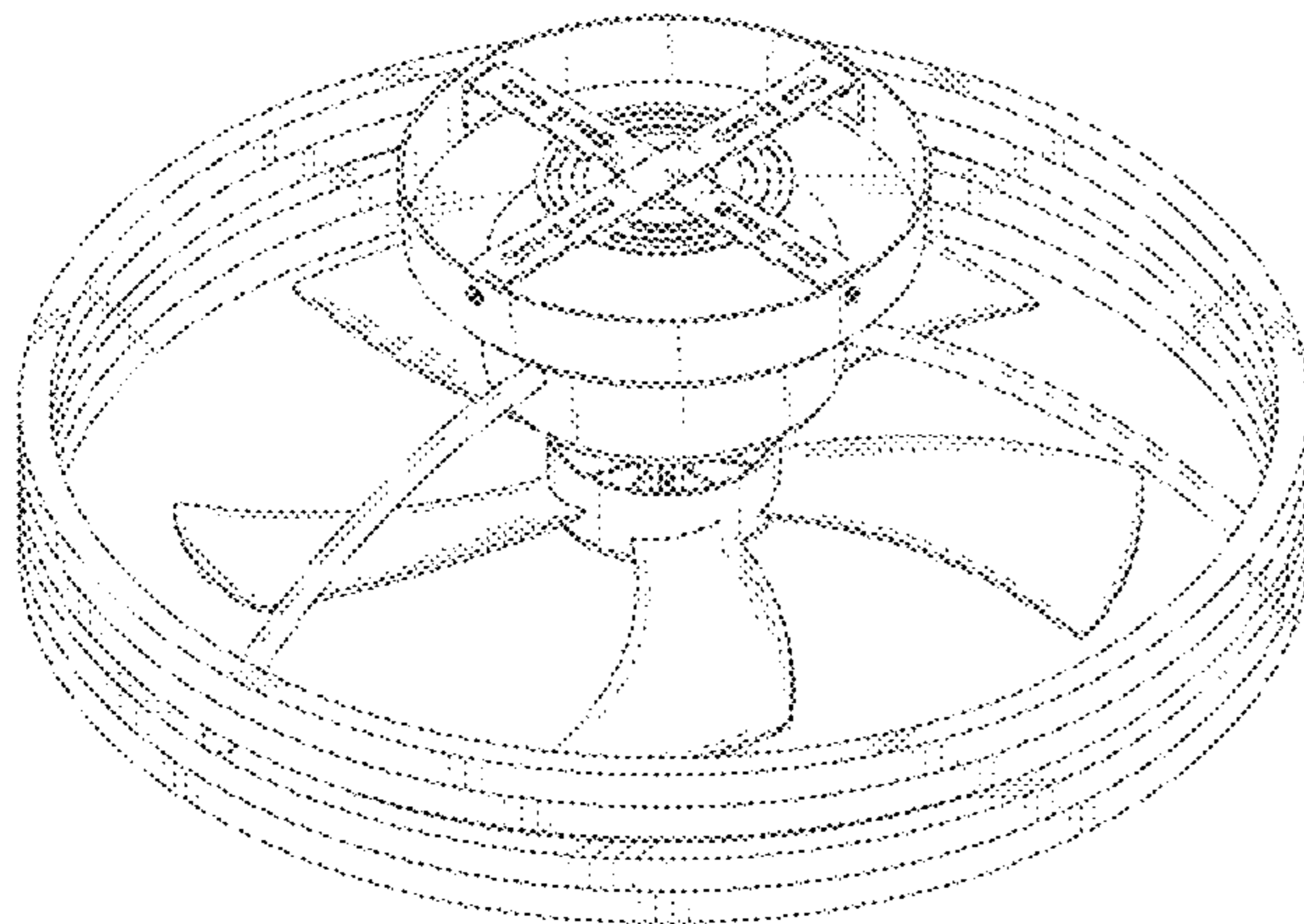
(57) **CLAIM**

The ornamental design for a flush mount ceiling fan with light, as shown and described.

DESCRIPTION

FIG. 1 is a front perspective view of a flush mount ceiling fan with light, showing my new design;
FIG. 2 is a front view thereof;
FIG. 3 is a rear view thereof;
FIG. 4 is a left side view thereof;
FIG. 5 is a right side view thereof;
FIG. 6 is a top view thereof; and,
FIG. 7 is a bottom view thereof.

1 Claim, 7 Drawing Sheets



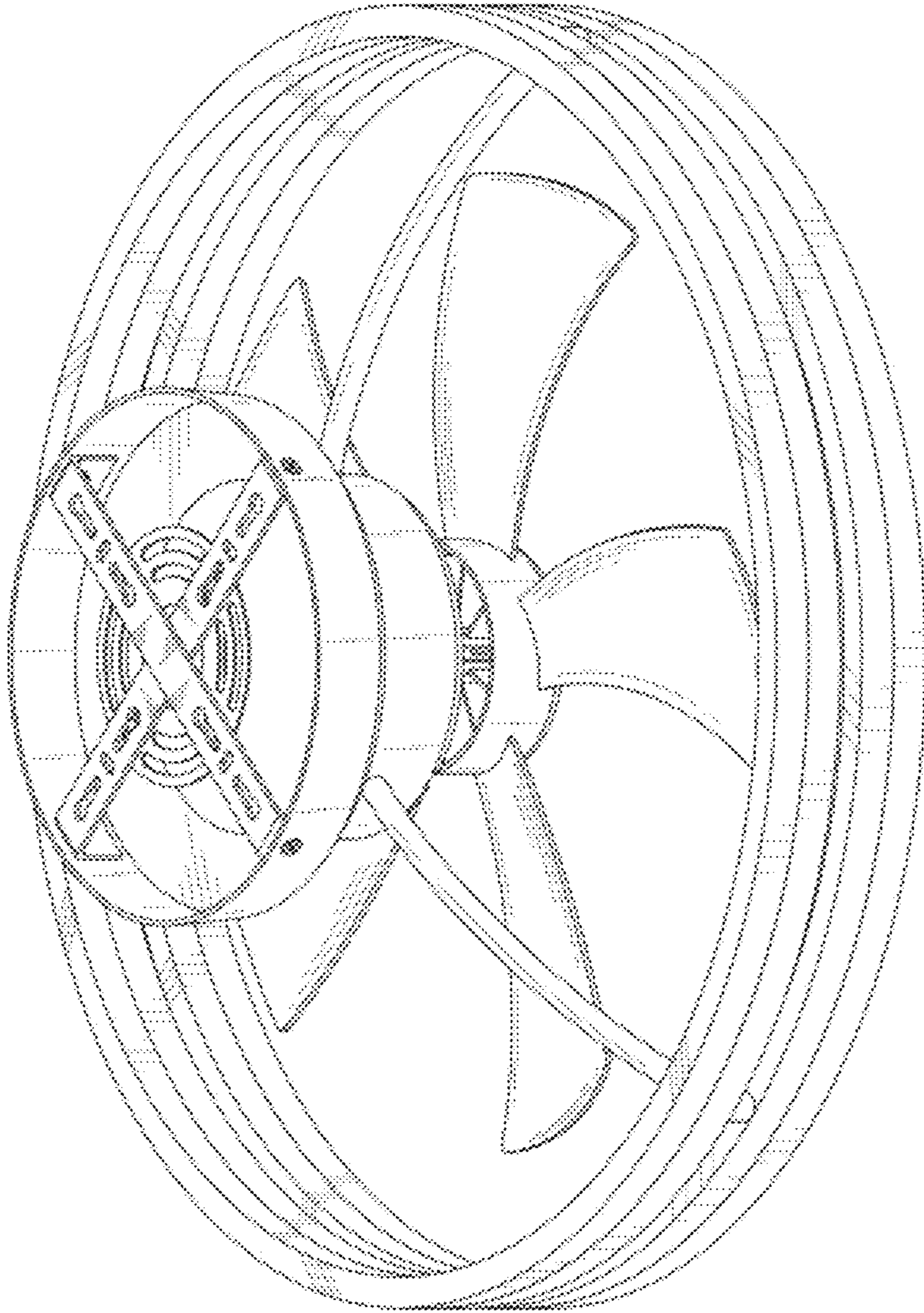


FIG. 1

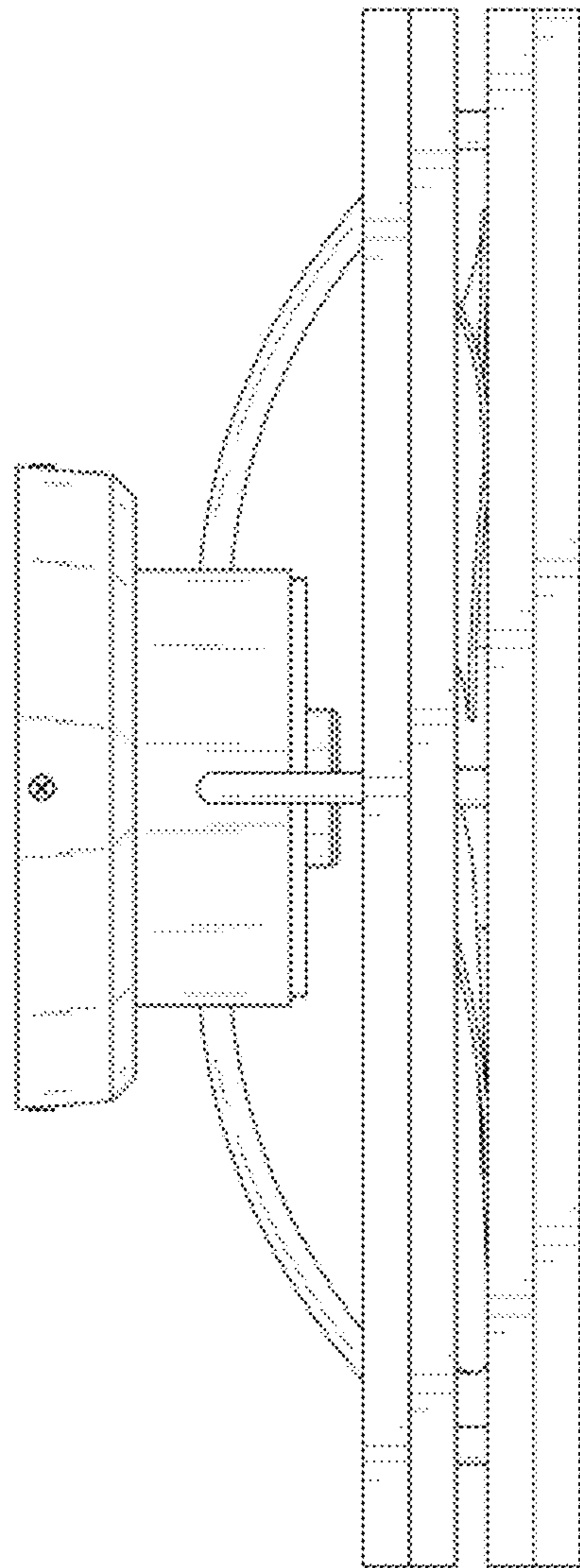


FIG. 2

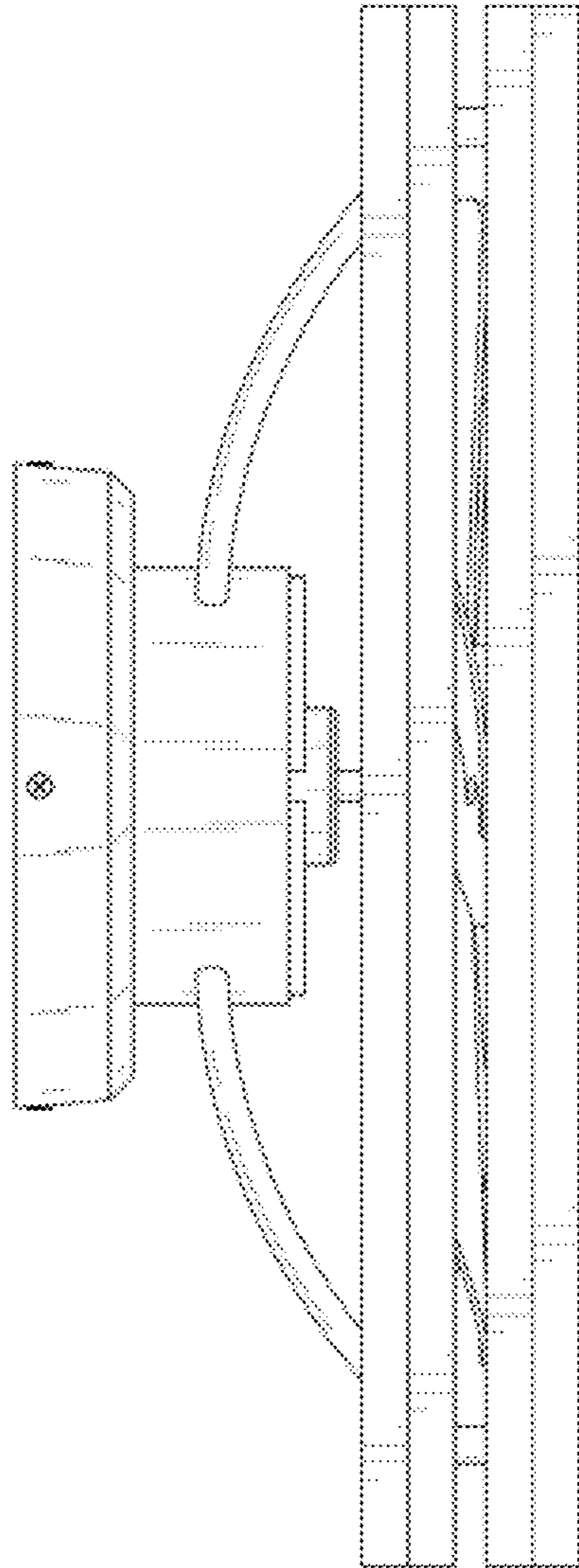


FIG. 3

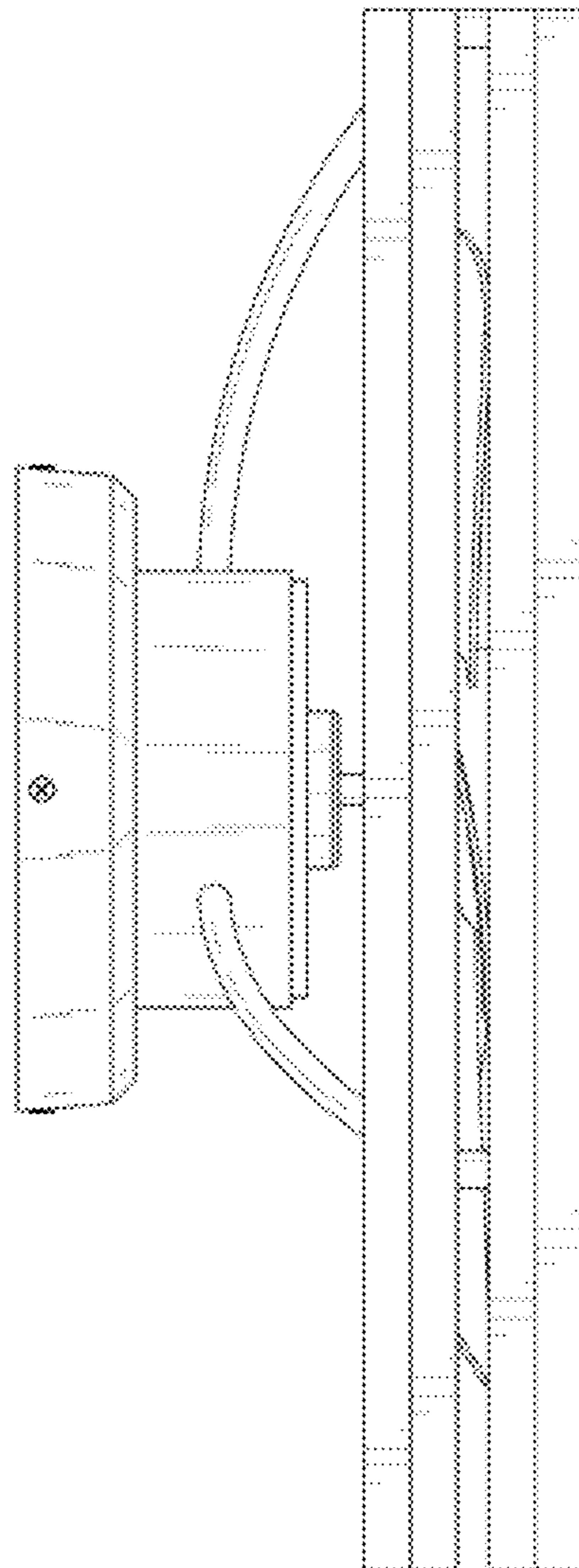


FIG. 4

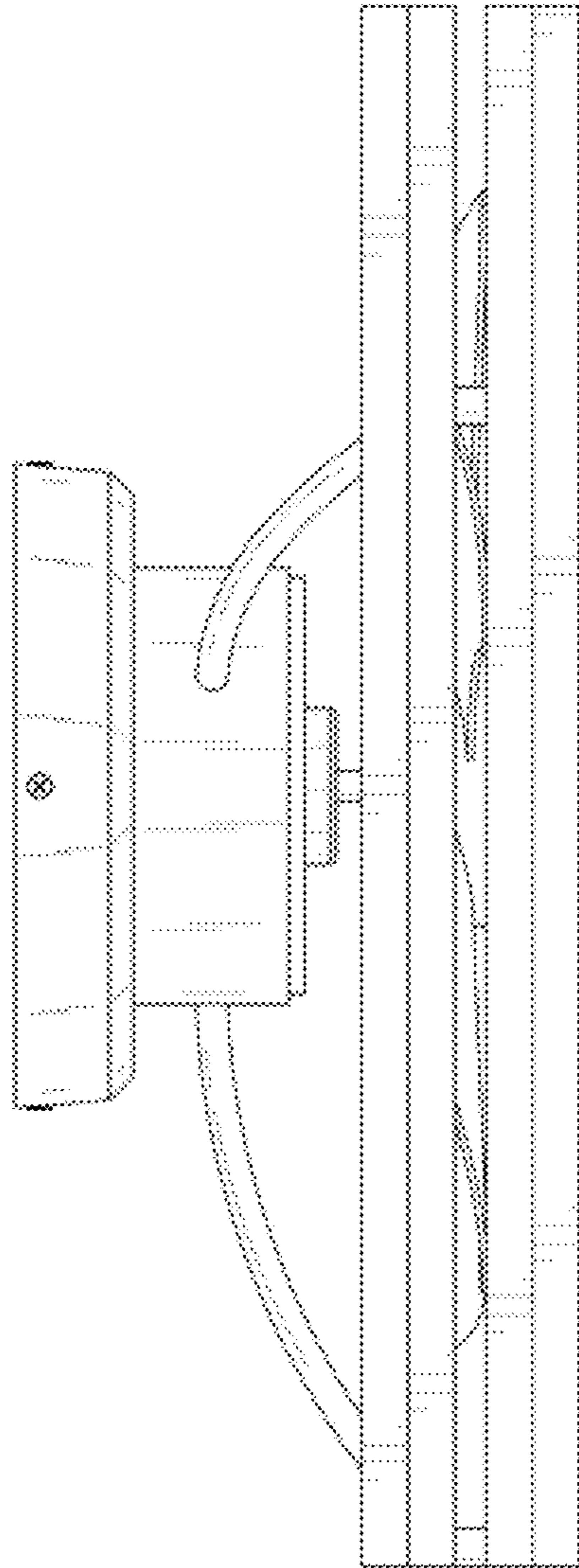


FIG. 5

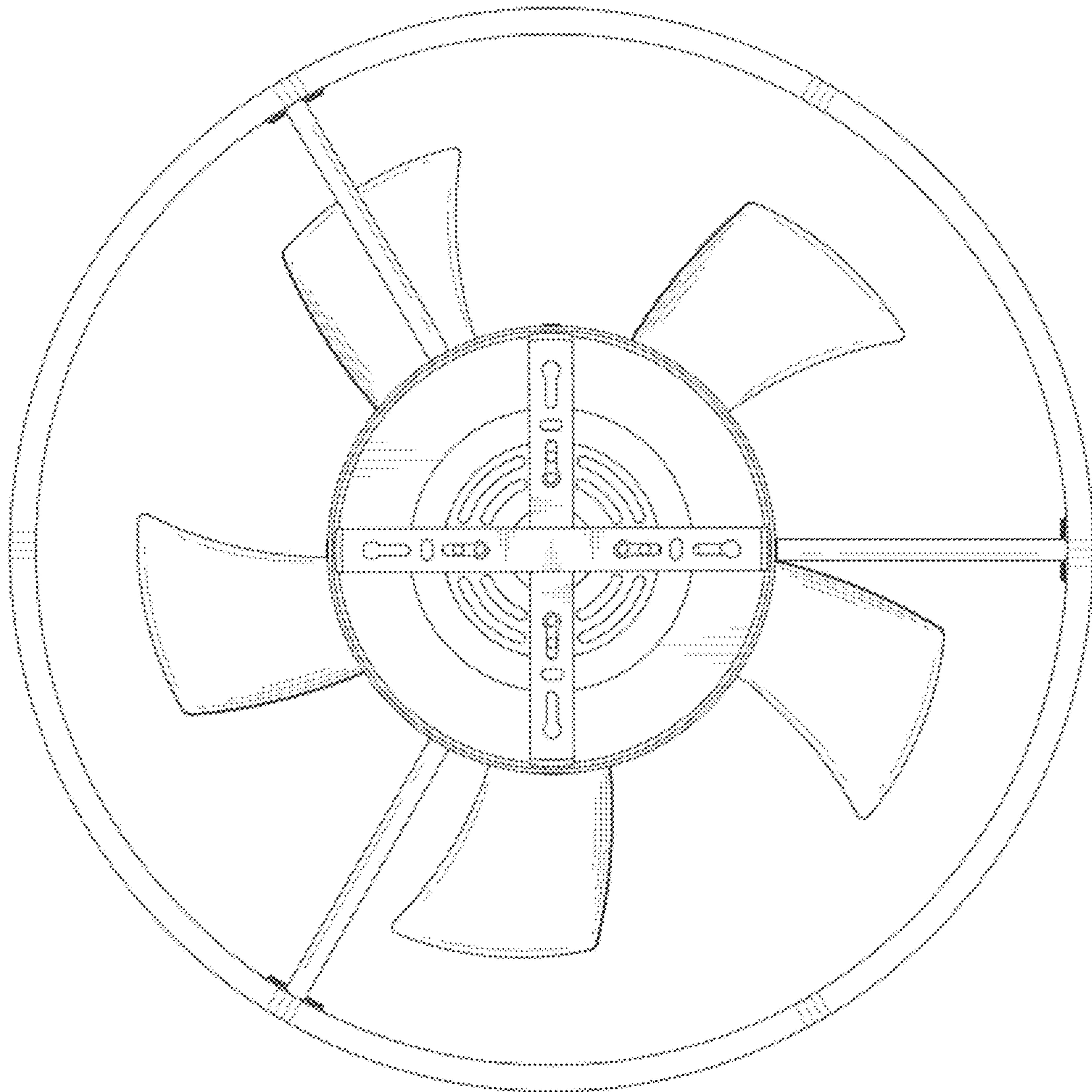


FIG. 6

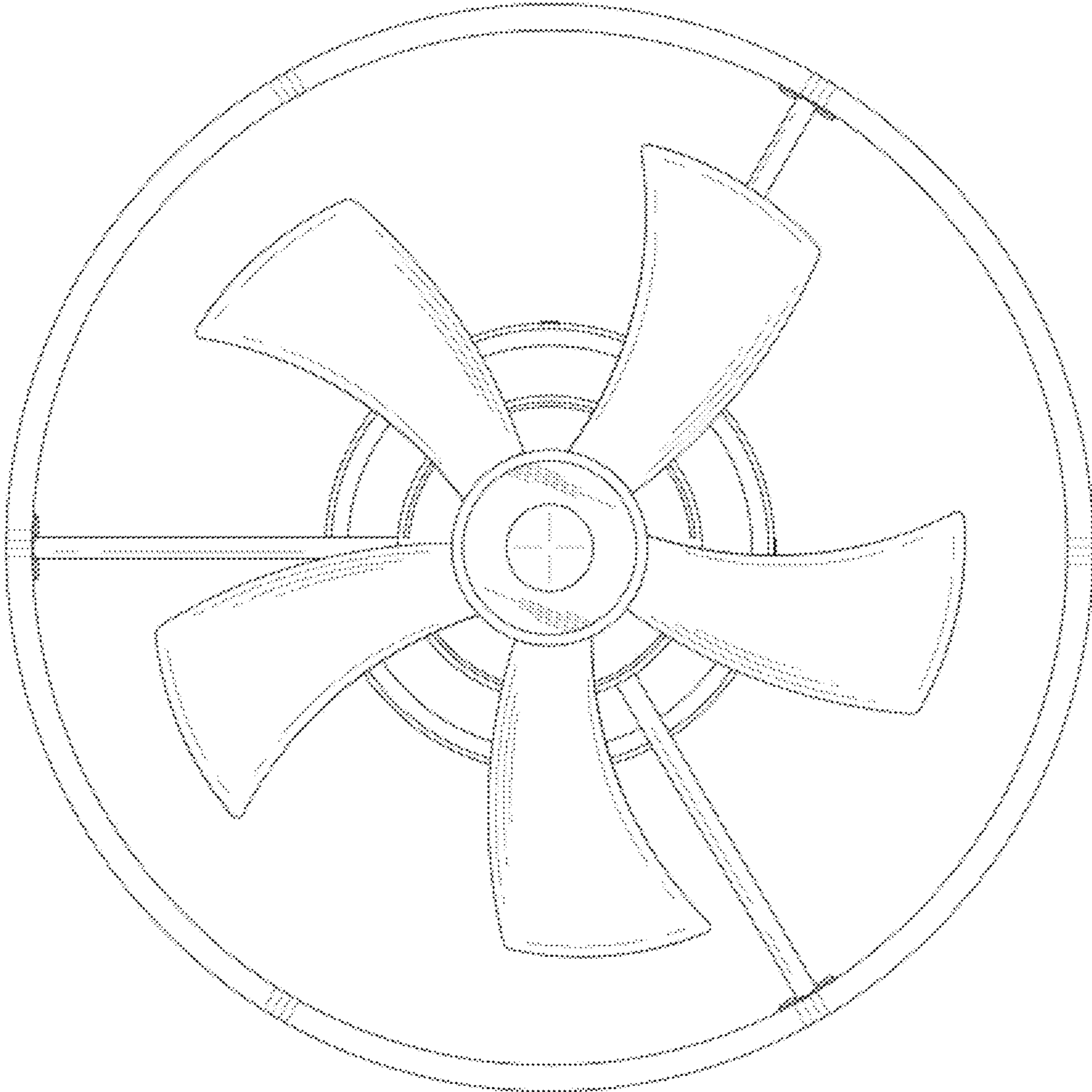


FIG. 7