



US00D978323S

(12) **United States Design Patent** (10) **Patent No.:** **US D978,323 S**
Hu (45) **Date of Patent:** **** Feb. 14, 2023**

(54) **CEILING FAN**
(71) Applicant: **Jianhong Hu**, Foshan (CN)
(72) Inventor: **Jianhong Hu**, Foshan (CN)
(**) Term: **15 Years**

D921,181 S 6/2021 Haggar
D933,188 S * 10/2021 Li D23/377
D933,810 S * 10/2021 Li D23/413
D936,202 S 11/2021 McRoberts et al.
D940,293 S * 1/2022 Yao D23/377
D940,847 S * 1/2022 Wang D23/377

(21) Appl. No.: **29/846,321**
(22) Filed: **Jul. 15, 2022**
(51) **LOC (14) Cl.** **23-04**
(52) **U.S. Cl.**
USPC **D23/377**
(58) **Field of Classification Search**
USPC D23/370, 377, 385, 411; D26/59
CPC F04D 25/088; F21V 33/0096
See application file for complete search history.

OTHER PUBLICATIONS

WAC Smart Fans Swirl, Amazon.com, Mar. 17, 2022. <<https://a.co/d/ctRvFyb>> (Year: 2022).*
WAC Smart Fans Stella, Amazon.com, Dec. 9, 2021. <https://www.amazon.com/dp/B09NCKH6JY?ref_cm_sw_r_cp_ud_dp_0ZTNJ4QCM0SVBKXTS75F> (Year: 2021).*

* cited by examiner

Primary Examiner — Janice Hallmark
(74) *Attorney, Agent, or Firm* — Rumit R. Kanakia

(56) **References Cited**

U.S. PATENT DOCUMENTS

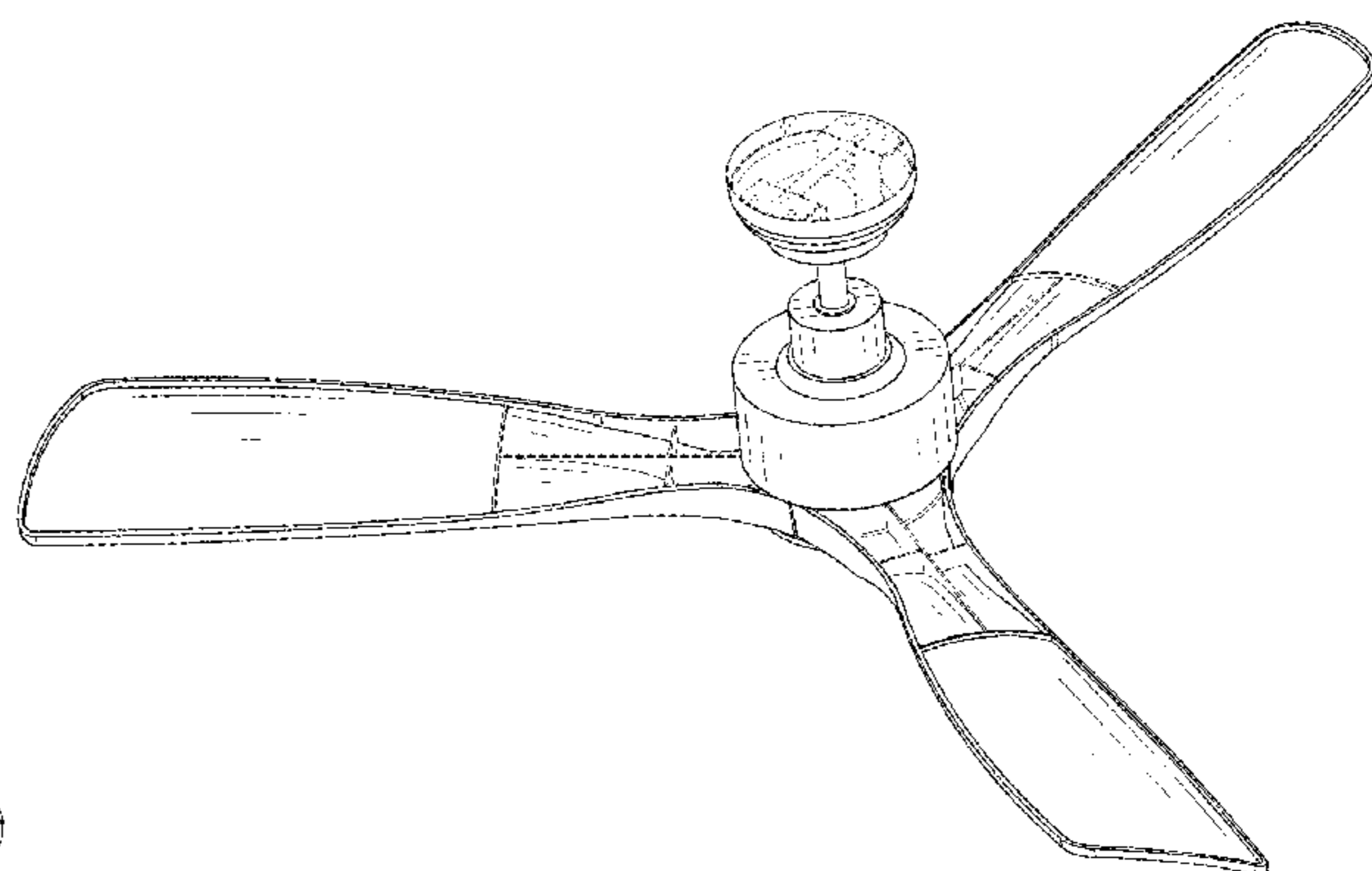
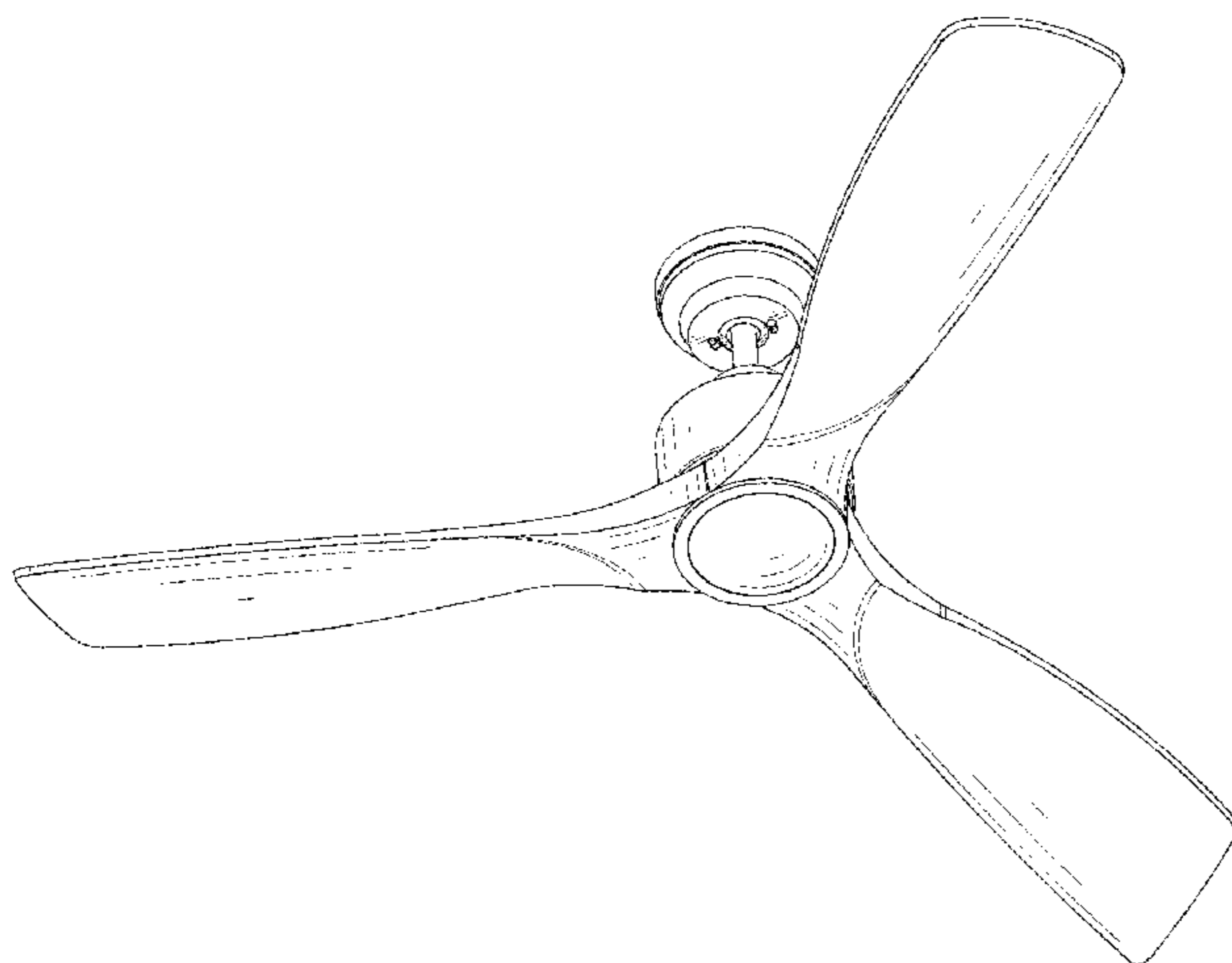
D612,476 S * 3/2010 Noble D23/377
D614,757 S * 4/2010 Noble D23/377
D690,409 S * 9/2013 Noble D23/379
D692,120 S * 10/2013 Noble D23/385
D721,429 S * 1/2015 Busta D23/377
D741,988 S * 10/2015 Pan D23/377
D750,213 S * 2/2016 Schulzman D23/385
D770,027 S * 10/2016 Noble D23/385
D799,661 S * 10/2017 Holmes D23/385
D800,291 S * 10/2017 Wang D23/385
D807,493 S * 1/2018 Hidalgo D23/377
D835,251 S * 12/2018 Baek D23/377
D858,735 S * 9/2019 Wang D23/377
D879,282 S * 3/2020 Noble D23/377
D890,910 S * 7/2020 Haggar D23/377
D921,180 S 6/2021 McRoberts

(57) **CLAIM**
The ornamental design for a ceiling fan, as shown and described.

DESCRIPTION

FIG. 1 is a first perspective view of a ceiling fan showing my new design;
FIG. 2 is a second perspective view thereof;
FIG. 3 is a front view thereof;
FIG. 4 is a back view thereof;
FIG. 5 is a left side view thereof;
FIG. 6 is a right side view thereof;
FIG. 7 is a top view thereof; and,
FIG. 8 is a bottom view thereof.
The broken lines shown in the drawings depict portions of the ceiling fan that form no part of the claimed design.

1 Claim, 8 Drawing Sheets



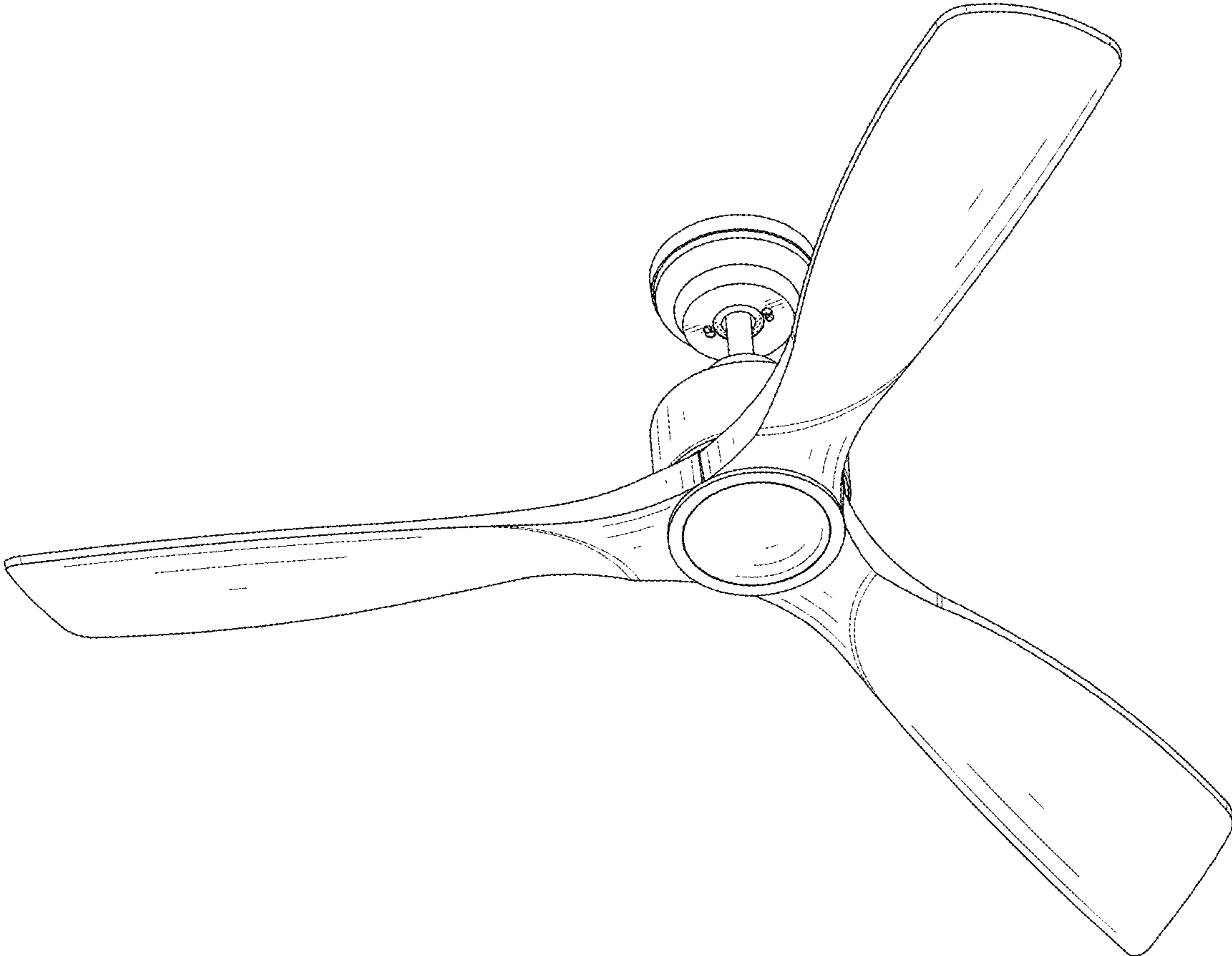


FIG. 1

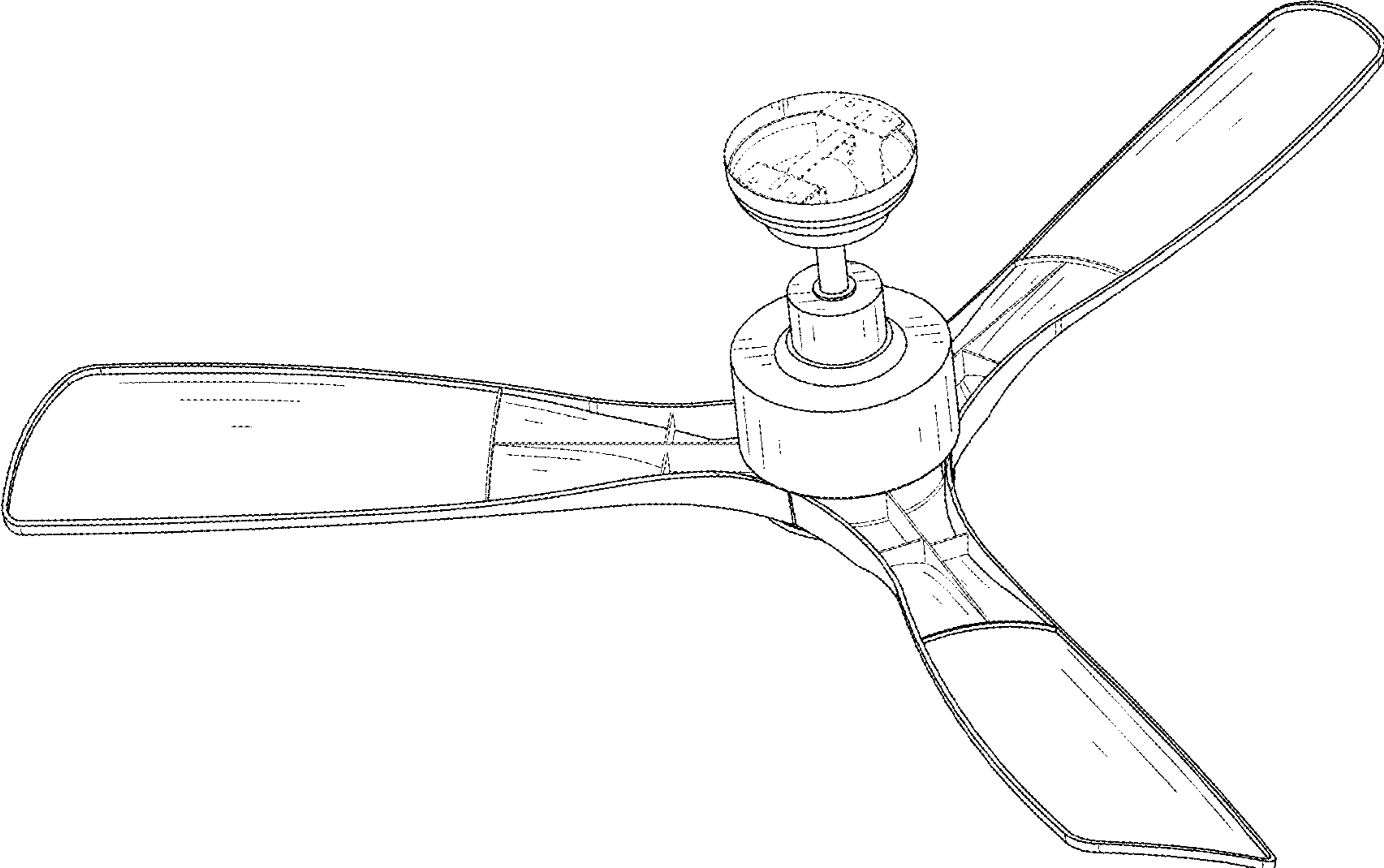


FIG. 2

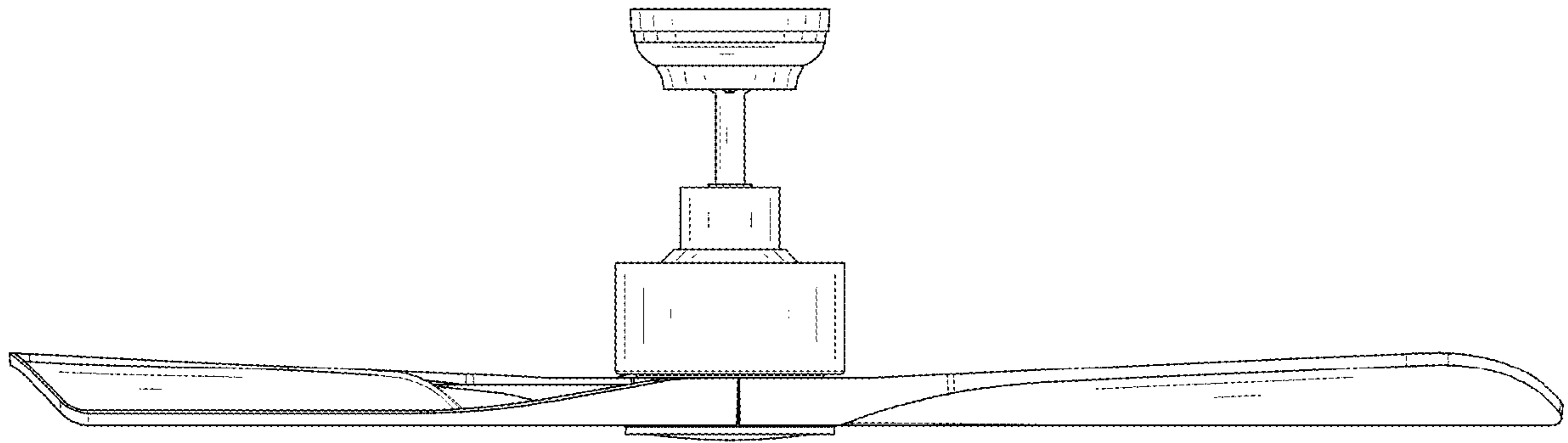


FIG. 3

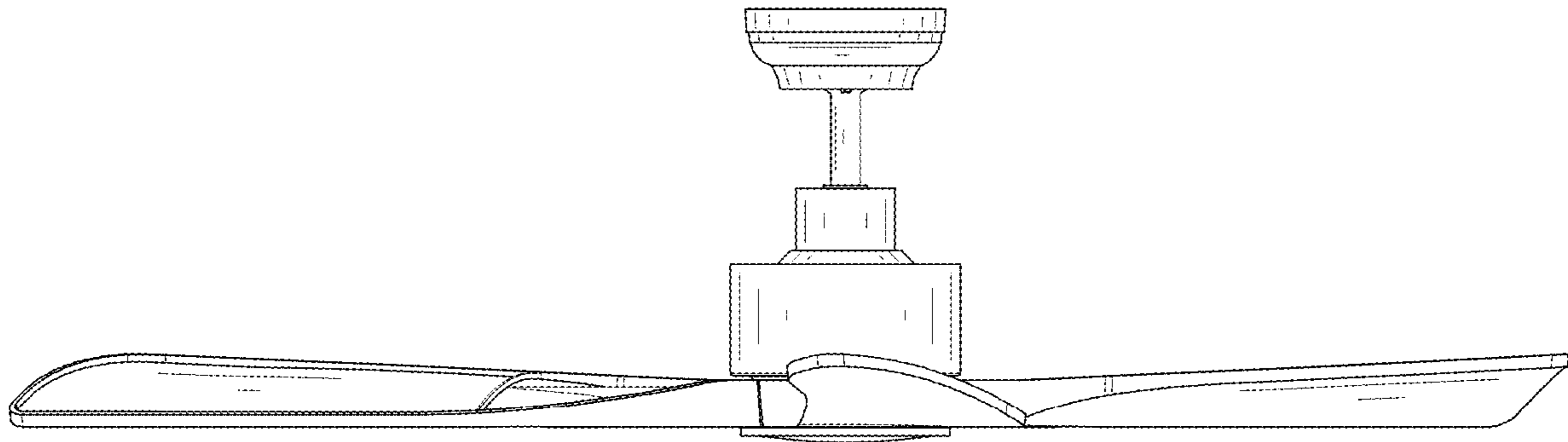


FIG. 4

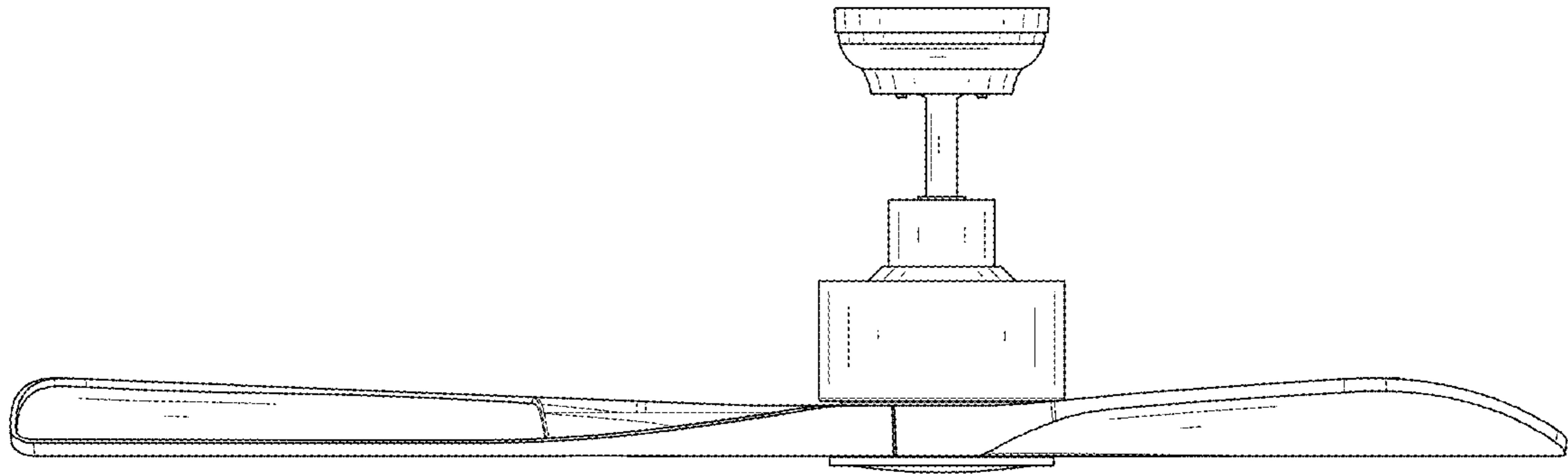


FIG. 5

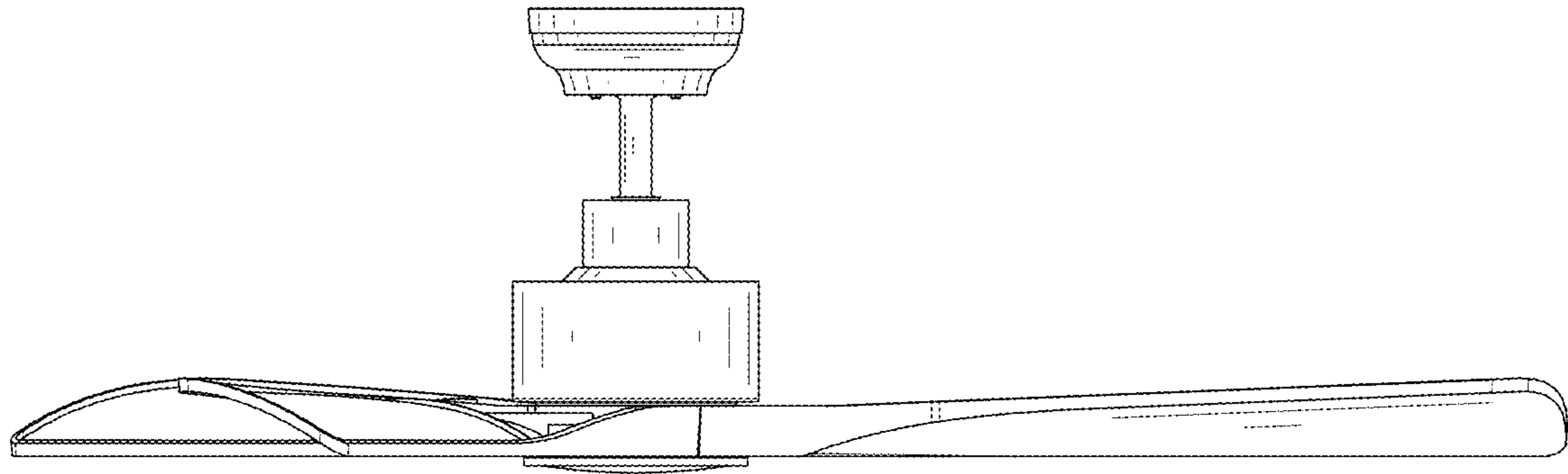


FIG. 6

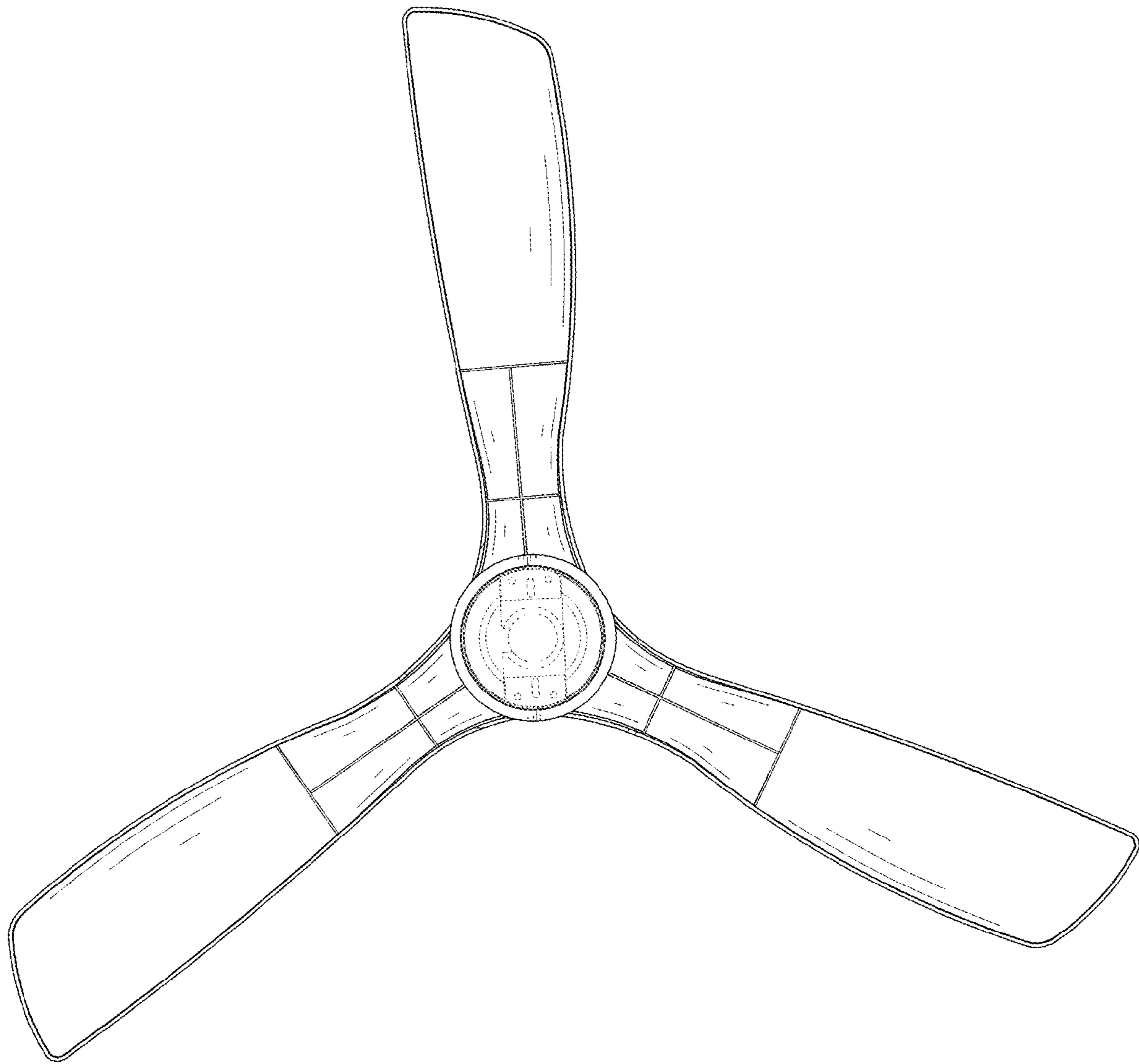


FIG. 7

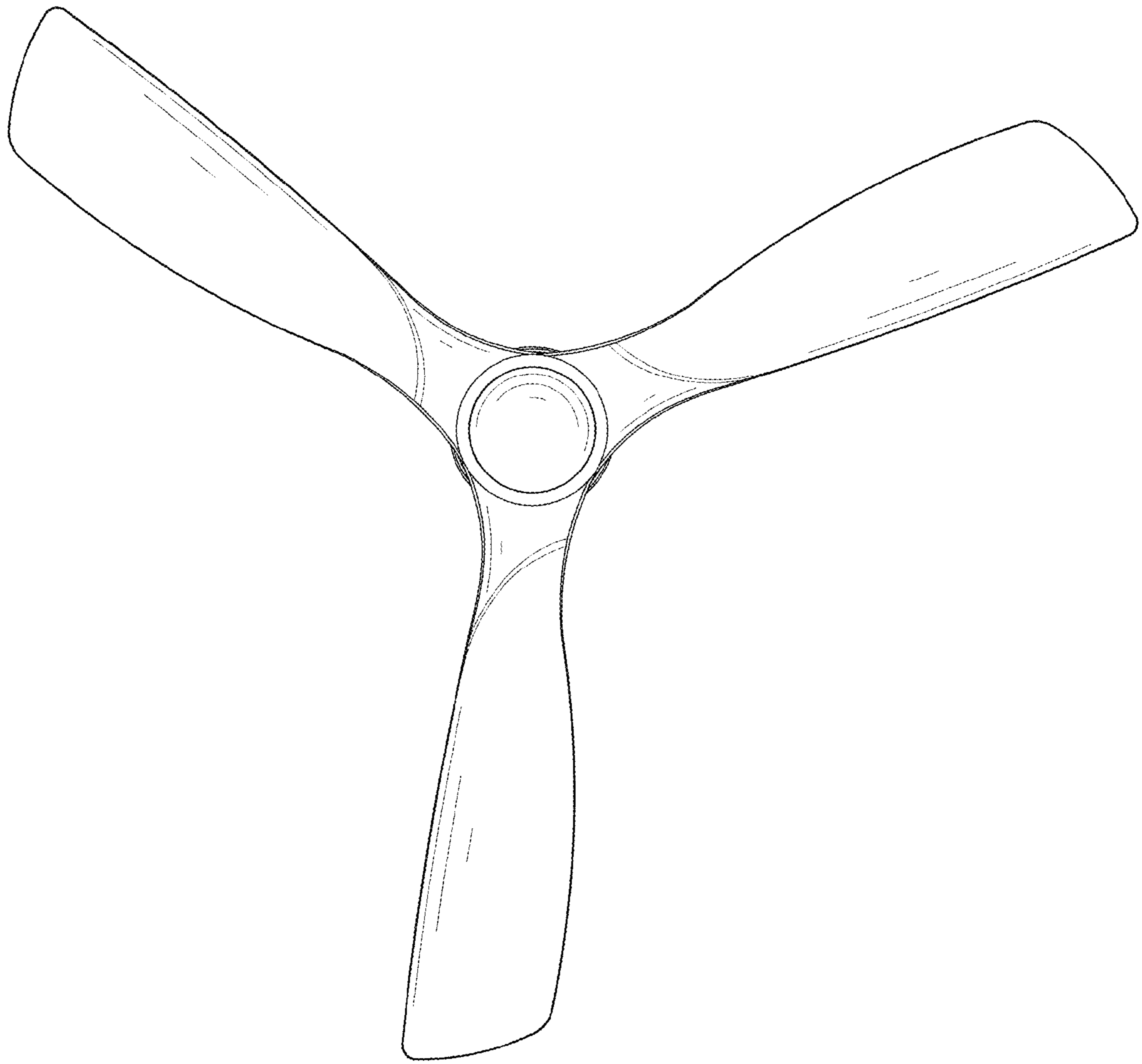


FIG. 8