



US00D978322S

(12) **United States Design Patent**
Haggar

(10) **Patent No.:** **US D978,322 S**

(45) **Date of Patent:** **** Feb. 14, 2023**

(54) **CEILING FAN**

(71) Applicant: **Hunter Fan Company**, Memphis, TN
(US)

(72) Inventor: **Alexander Jonathan Haggar**,
Memphis, TN (US)

(73) Assignee: **Hunter Fan Company**, Memphis, TN
(US)

(**) Term: **15 Years**

(21) Appl. No.: **29/743,173**

(22) Filed: **Jul. 20, 2020**

(51) **LOC (14) Cl.** **23-04**

(52) **U.S. Cl.**
USPC **D23/377**

(58) **Field of Classification Search**
USPC D23/370, 377, 385, 411; D26/59
CPC F04D 25/088; F21V 33/0096
See application file for complete search history.

(56) **References Cited**

U.S. PATENT DOCUMENTS

D328,491 S	*	8/1992	Markwardt	D26/85
D328,785 S	*	8/1992	Markwardt	D26/85
D782,644 S	*	3/2017	Wang	D23/377
D795,413 S	*	8/2017	Wang	D23/377
D799,661 S	*	10/2017	Holmes	D23/385
D799,665 S	*	10/2017	Wang	D23/385

D805,175 S	*	12/2017	Haggar	D23/385
D858,735 S	*	9/2019	Wang	D23/377
D875,914 S	*	2/2020	Haggar	D23/377
D921,181 S	*	6/2021	Haggar	D23/377
D921,881 S	*	6/2021	Haggar	D26/59
D940,293 S	*	1/2022	Yao	D23/377
D941,984 S	*	1/2022	Haggar	D23/411
D948,022 S	*	4/2022	McRoberts	D23/377

* cited by examiner

Primary Examiner — Janice Hallmark

(74) *Attorney, Agent, or Firm* — McGarry Bair PC

(57) **CLAIM**

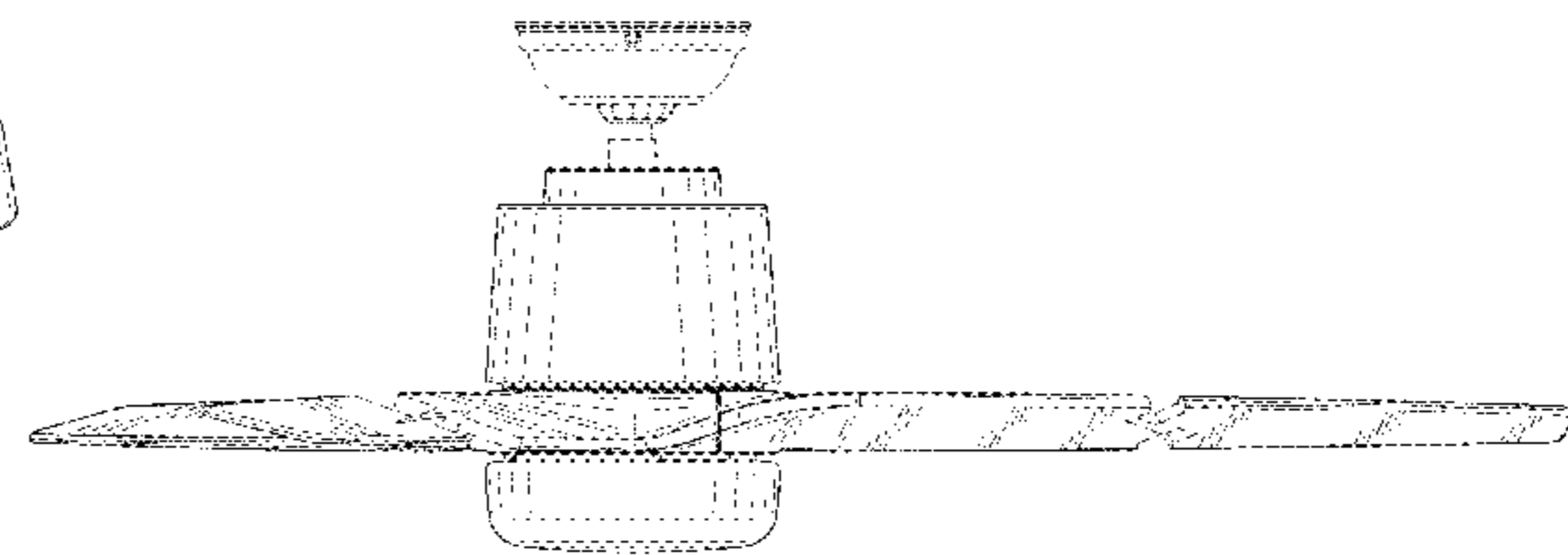
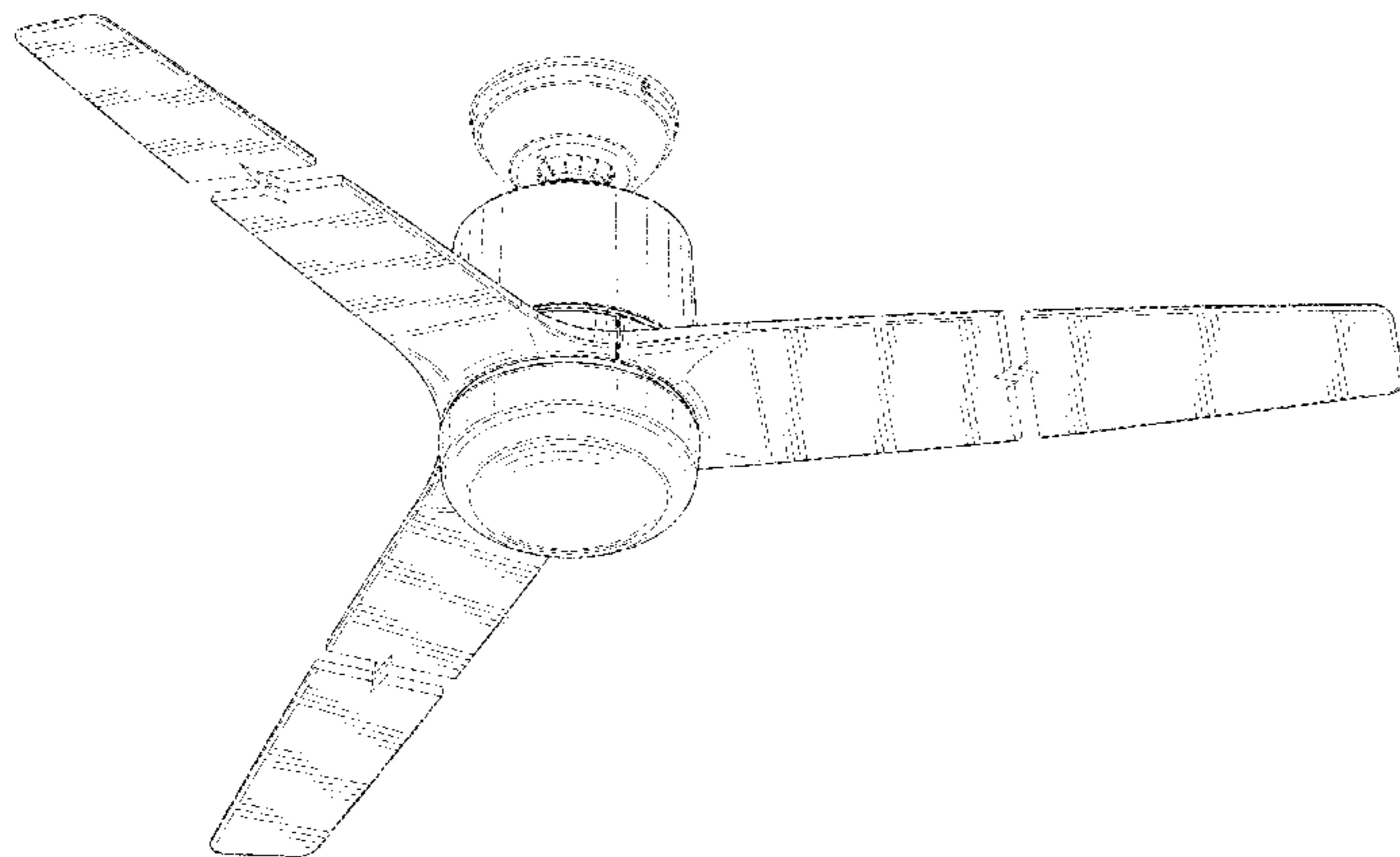
The ornamental design for a ceiling fan, as shown and described.

DESCRIPTION

FIG. 1 is a top perspective view of a ceiling fan, showing my new design;
FIG. 2 is a bottom perspective view thereof;
FIG. 3 is a top view thereof;
FIG. 4 is a bottom view thereof;
FIG. 5 is a front view thereof;
FIG. 6 is a rear side view thereof;
FIG. 7 is a right side view thereof; and,
FIG. 8 is a left side view thereof.

Portions of the ceiling fan shown in broken lines form no part of the claimed design. The ceiling fan blades are shown with a symbolic break in length. The appearance of any portion of the ceiling fan blades between the break lines forms no part of the claimed design.

1 Claim, 8 Drawing Sheets



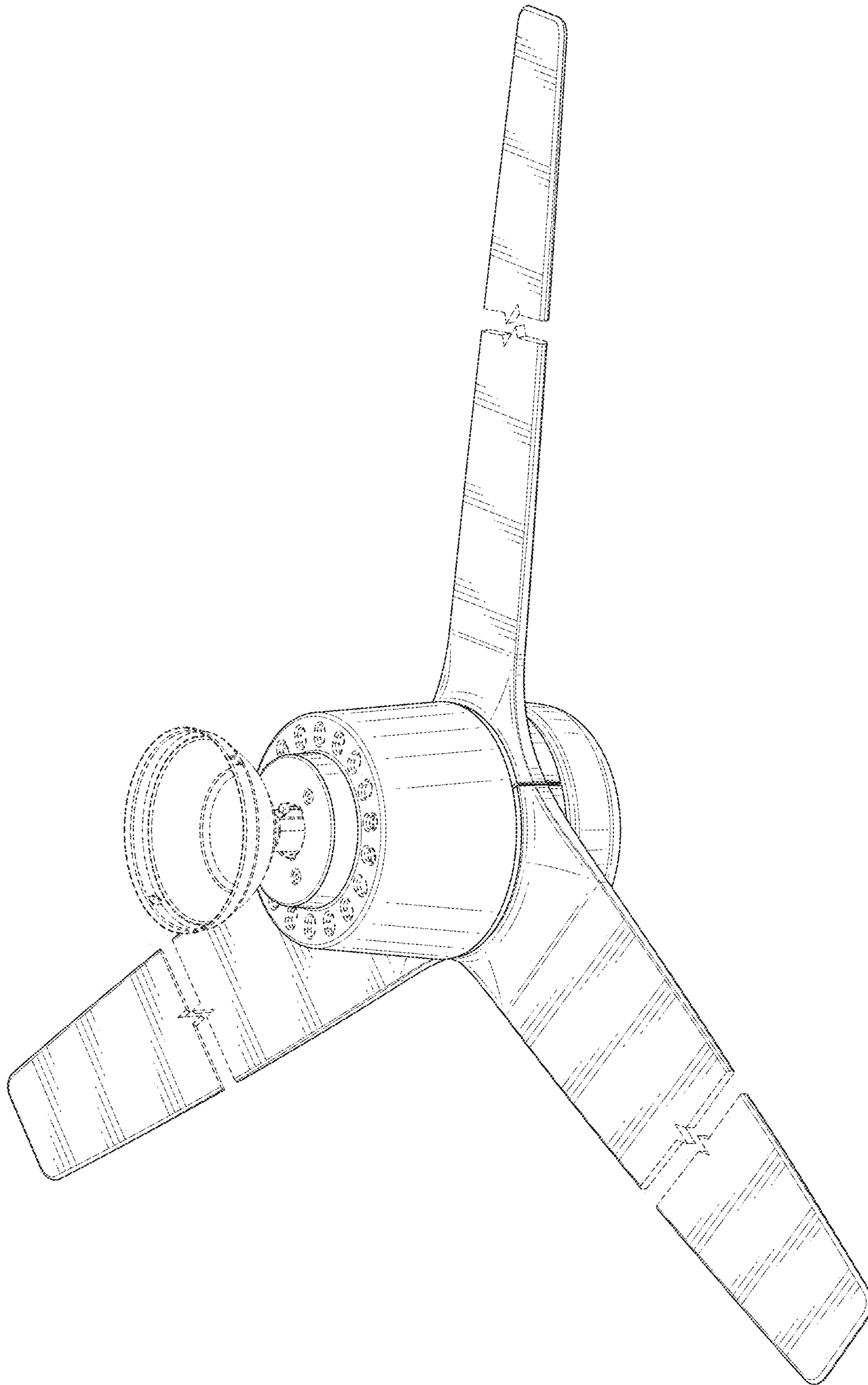


FIG. 1

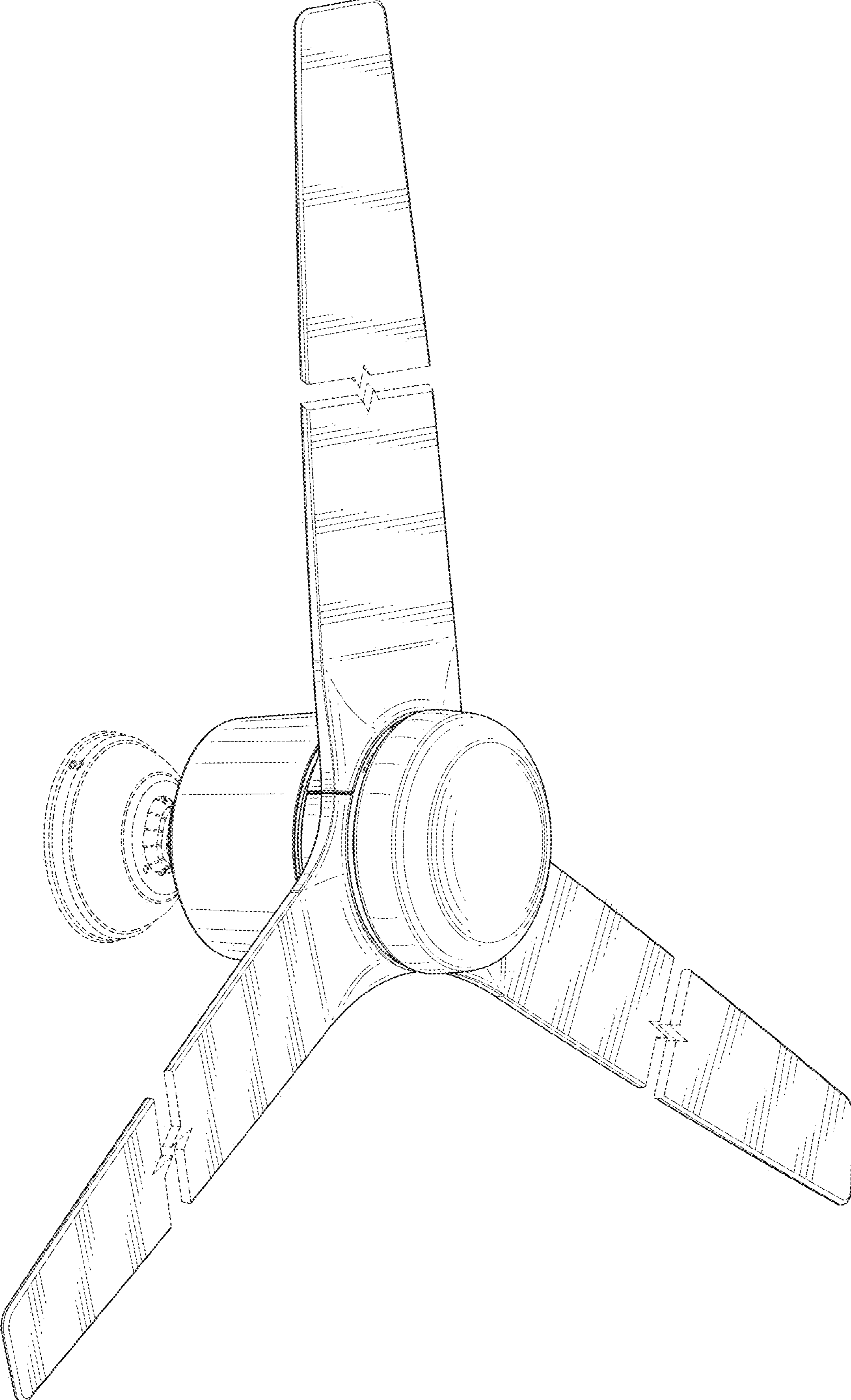


FIG. 2

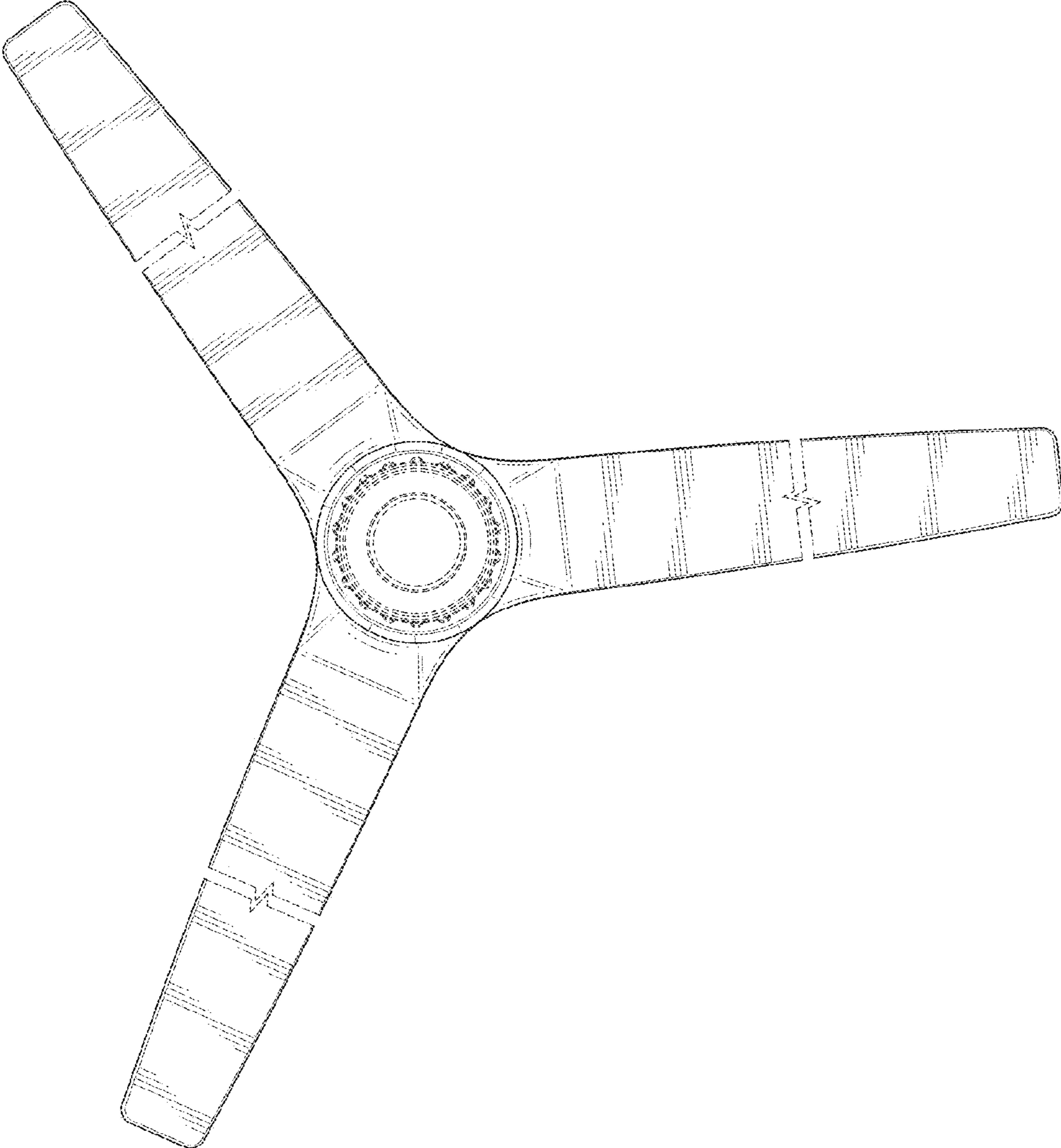


FIG. 3

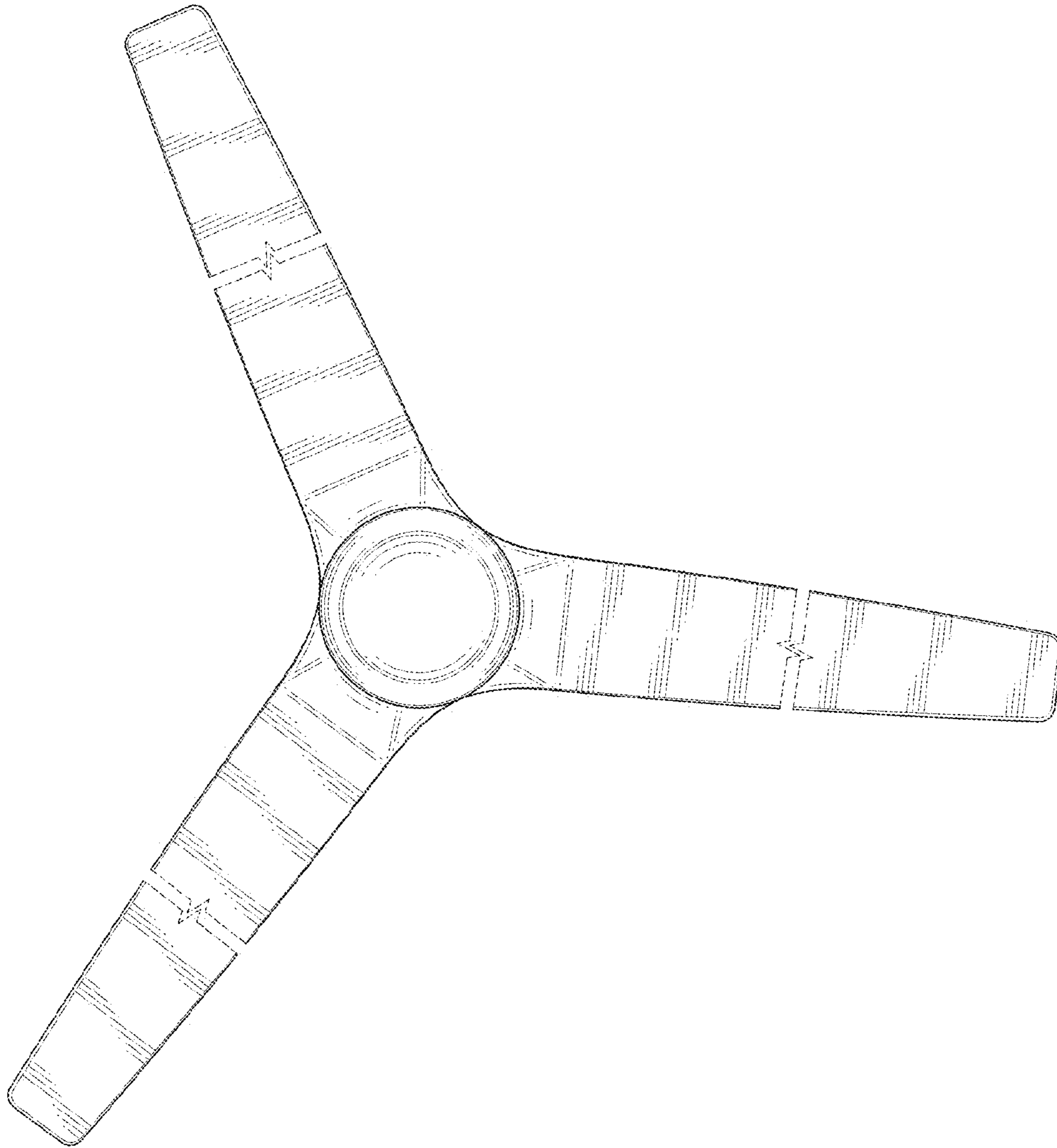


FIG. 4

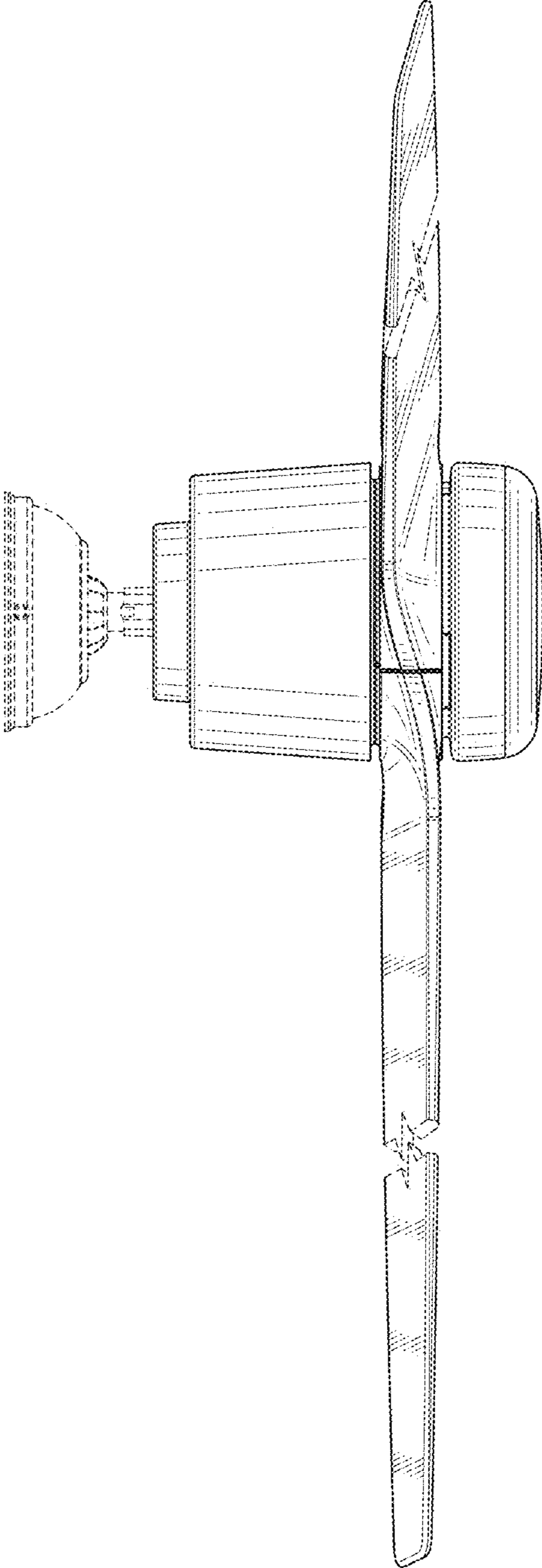


FIG. 5

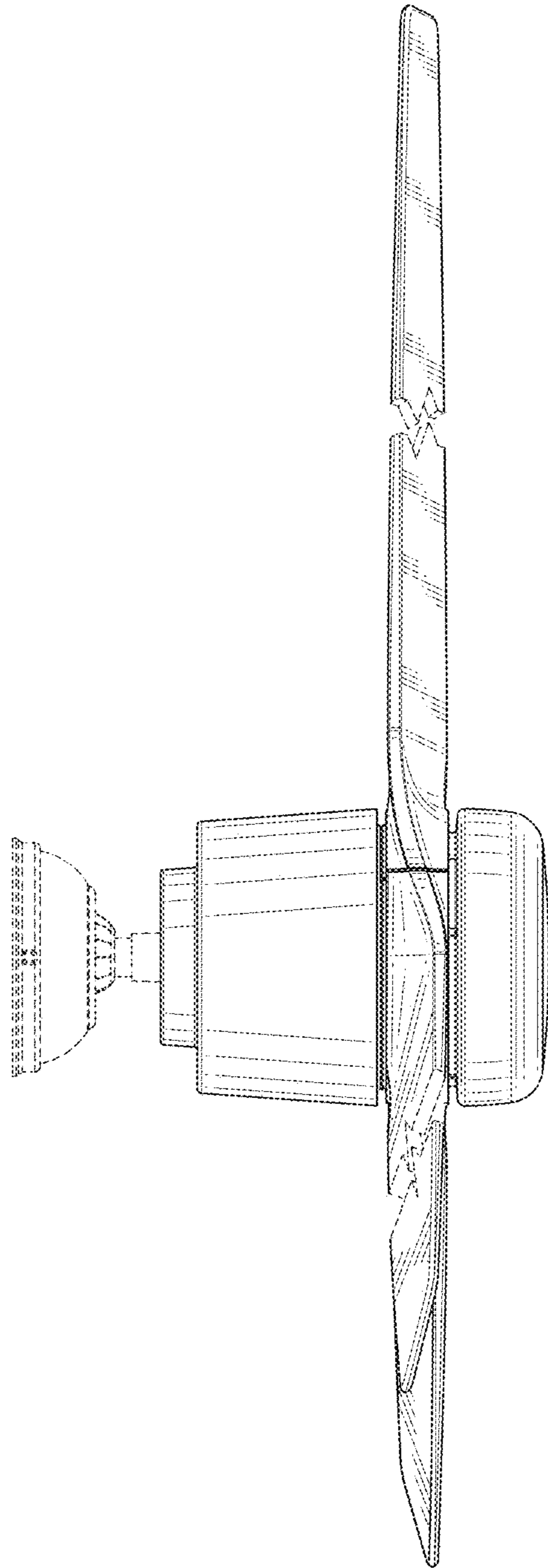


FIG. 6

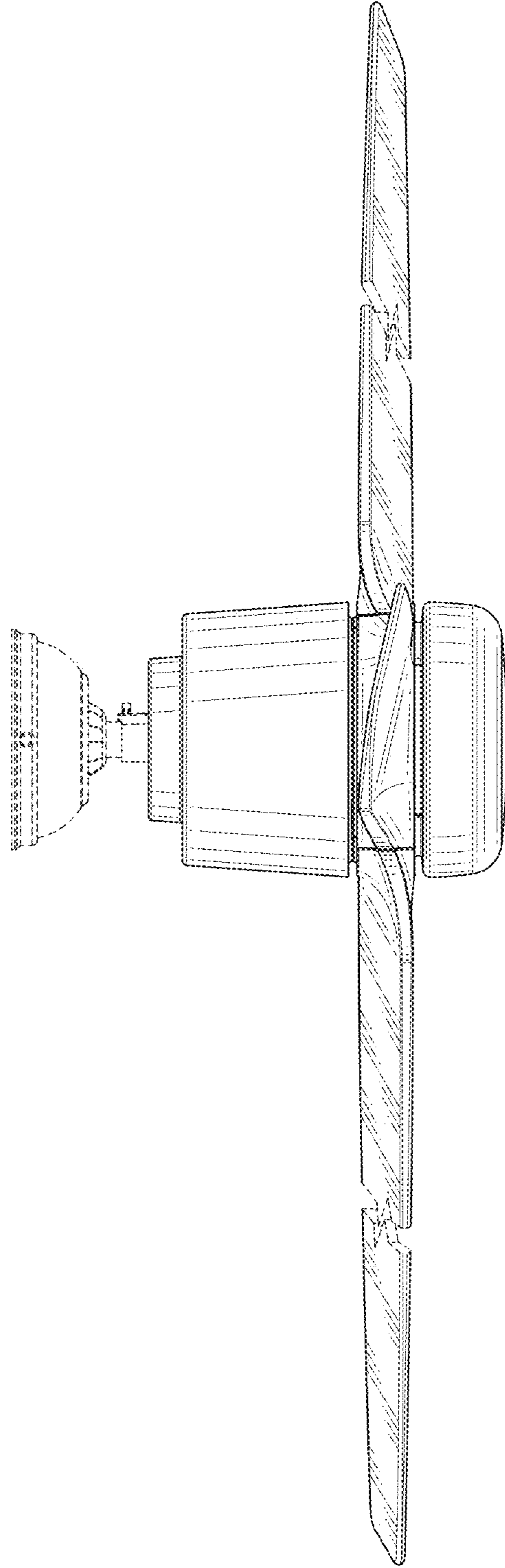


FIG. 7

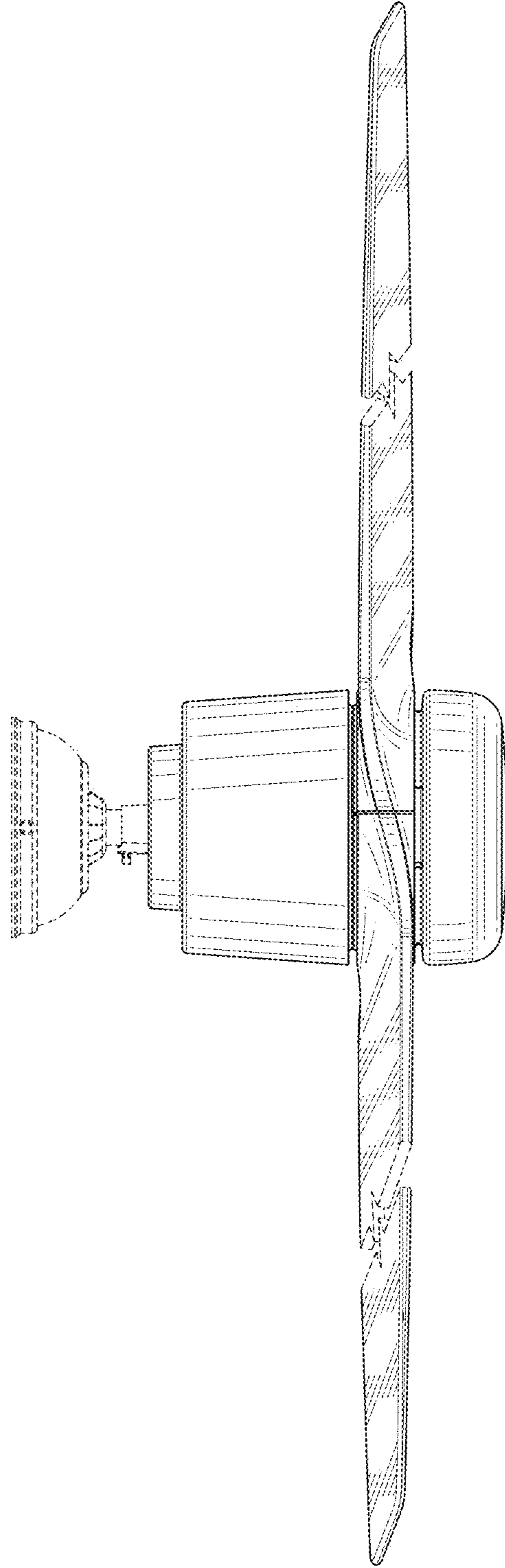


FIG. 8