



US00D978317S

(12) **United States Design Patent** (10) **Patent No.:** **US D978,317 S**  
**Lee** (45) **Date of Patent:** **\*\* Feb. 14, 2023**

(54) **AROMA DIFFUSER**

(56) **References Cited**

(71) Applicant: **PUZHEN LIFE CO., LTD**, Hong Kong (HK)

U.S. PATENT DOCUMENTS

(72) Inventor: **Andy Lee**, Hong Kong (HK)

D451,180 S *	11/2001	Hoare	.....	D23/360
D471,954 S *	3/2003	Chen	.....	D23/213
D479,573 S *	9/2003	Chen	.....	D23/213
D654,146 S *	2/2012	Bell	.....	D23/209
D717,406 S *	11/2014	Stanley	.....	D23/259
D840,013 S *	2/2019	Zhang	.....	D23/366
D842,446 S *	3/2019	Wen	.....	D23/366
D919,793 S *	5/2021	Lee	.....	D23/366

(73) Assignee: **PUZHEN LIFE CO., LTD**, Hong Kong (HK)

(\*\*) Term: **15 Years**

\* cited by examiner

(21) Appl. No.: **29/787,998**

*Primary Examiner* — Gino Colan  
*Assistant Examiner* — David OBrien

(22) Filed: **Jun. 9, 2021**

(30) **Foreign Application Priority Data**

Feb. 10, 2021 (HK) ..... 2117572.6M003

(51) **LOC (14) Cl.** ..... **23-04**

(52) **U.S. Cl.**  
USPC ..... **D23/366**

(58) **Field of Classification Search**

USPC ..... D7/509, 510; D11/143, 152; D14/195, D14/204, 210, 216, 221, 228, 240, 242, D14/314, 496; D23/207, 208, 209, 213, D23/223, 333, 335, 336, 351, 352, 353, D23/355, 356, 358, 359, 360, 362, D23/364–366; D24/108, 112, 129; D26/26, 37, 40, 46, 49; D6/708

CPC ..... F24F 6/00; F24F 6/06; F24F 1/00; F24F 1/02; F24F 1/022; A47G 7/06; A47G 23/16; A61M 11/02; A61M 11/041; A61L 9/00; A61L 9/03; A61L 9/12; A61L 9/122; A61L 2209/11; A61L 2209/14; A61L 2209/133; Y10S 261/17; Y10S 261/88; Y10S 261/89; B01D 46/10; B01D 46/0005; B01D 46/2411

See application file for complete search history.

(57) **CLAIM**

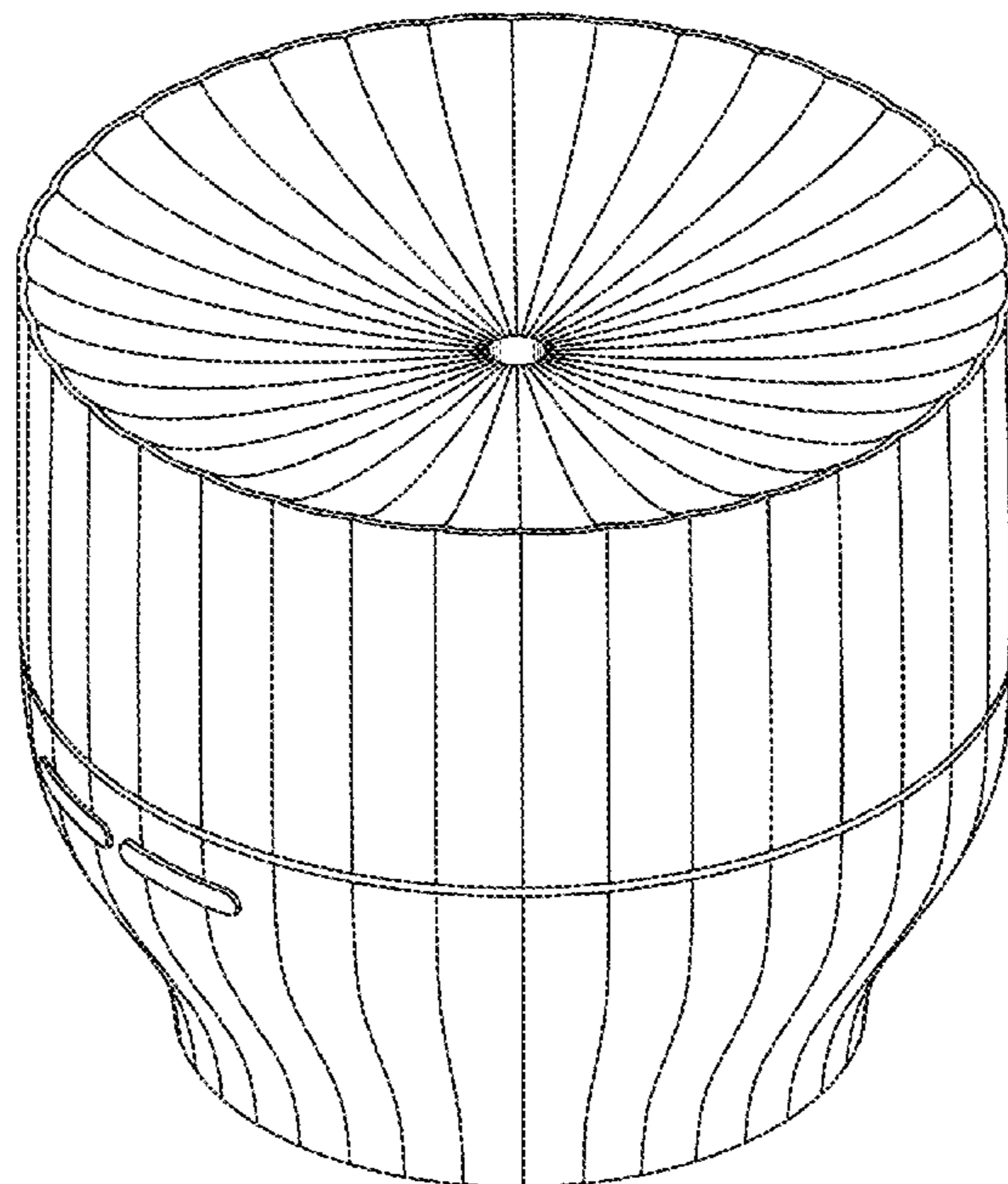
The ornamental design for an aroma diffuser, as shown and described.

**DESCRIPTION**

FIG. 1 is a front elevational view of an aroma diffuser showing my new design;  
 FIG. 2 is a rear elevational view thereof;  
 FIG. 3 is a left side view thereof;  
 FIG. 4 is a right side view thereof;  
 FIG. 5 is a top plan view thereof;  
 FIG. 6 is a bottom plan view thereof;  
 FIG. 7 is a top, front and right side perspective view thereof; and,  
 FIG. 8 is a bottom, rear and right side perspective view thereof.

The broken lines in the drawings illustrate portions of the aroma diffuser which form no part of the claimed design.

**1 Claim, 8 Drawing Sheets**



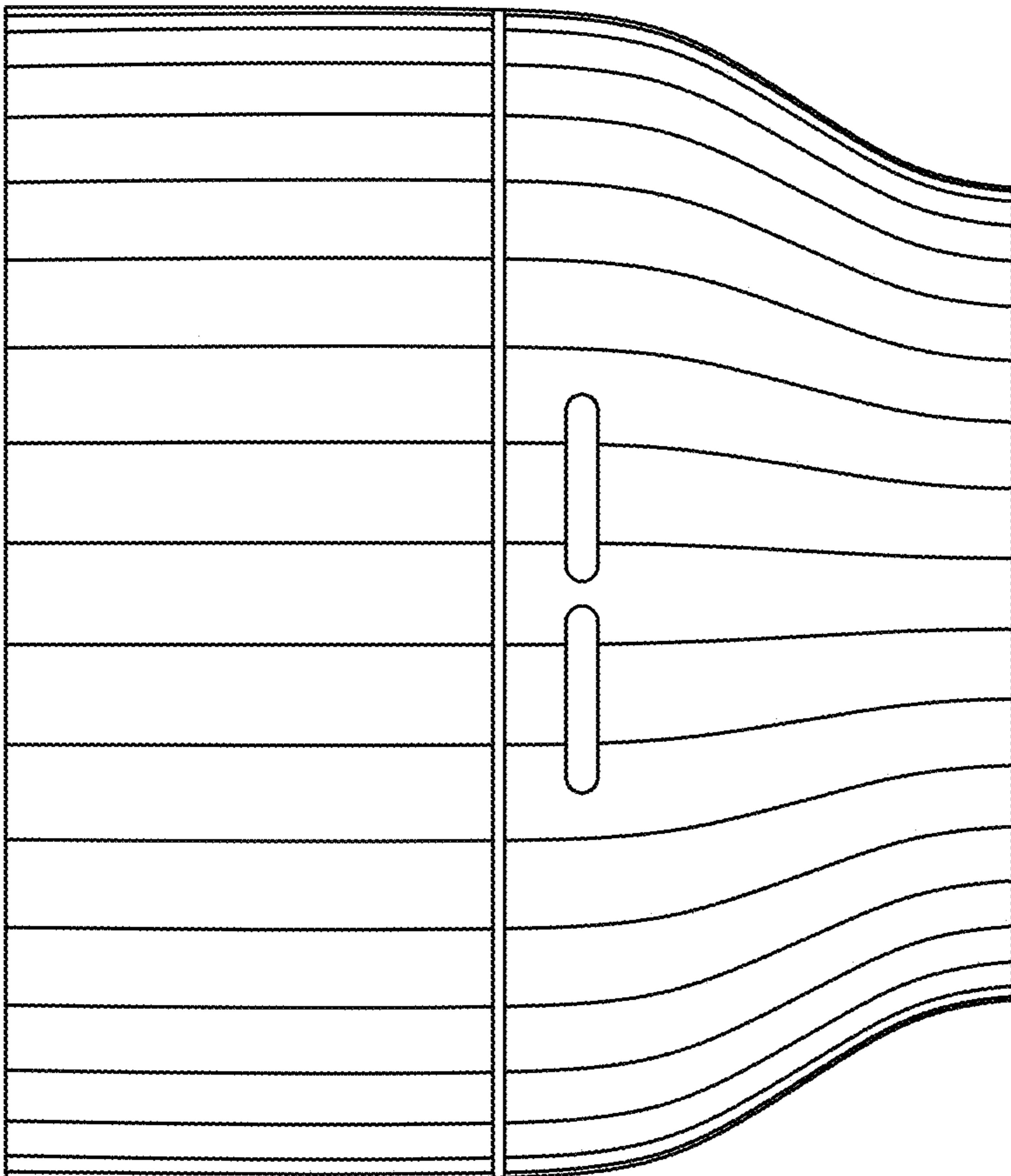


FIG. 1

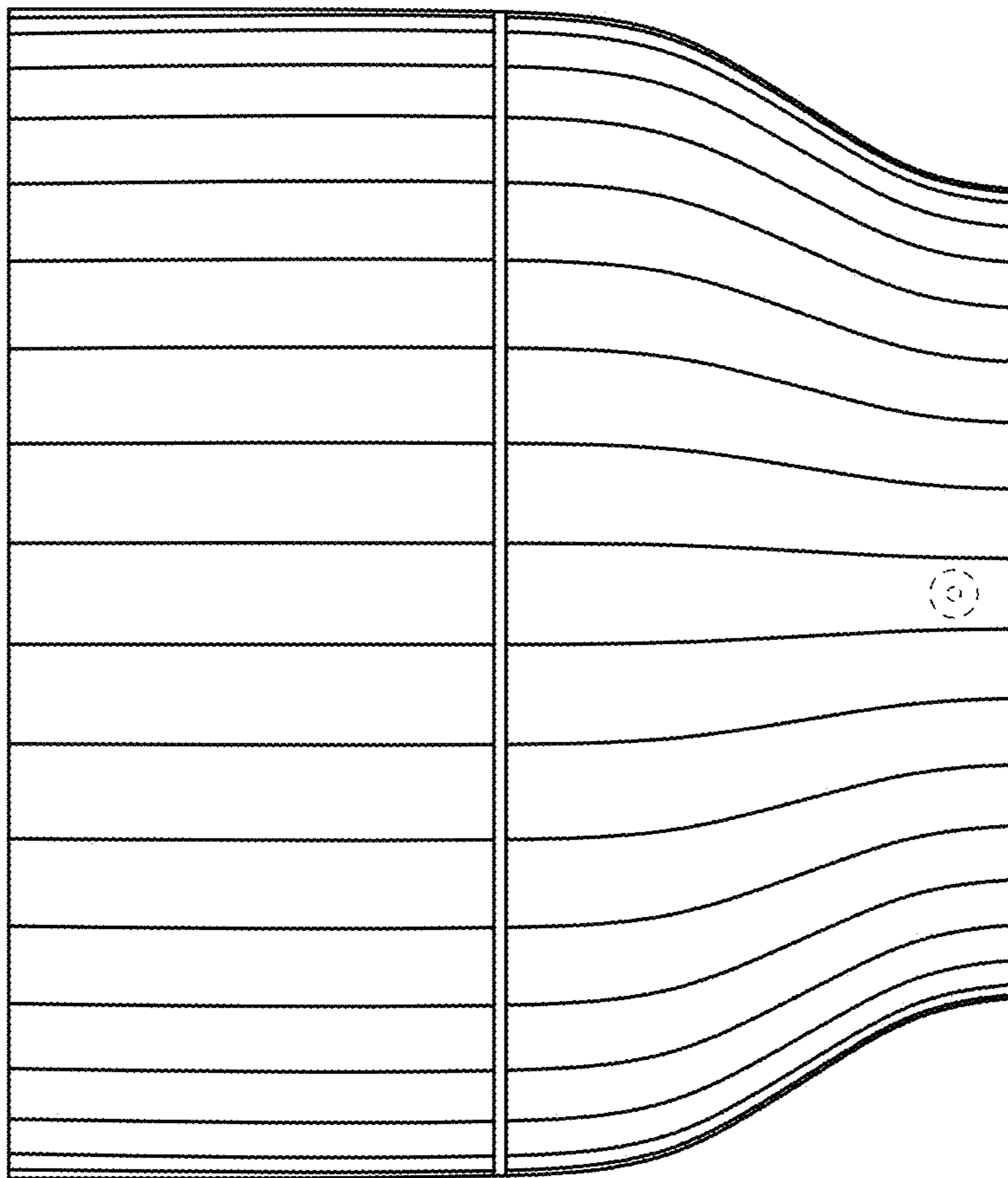


FIG. 2

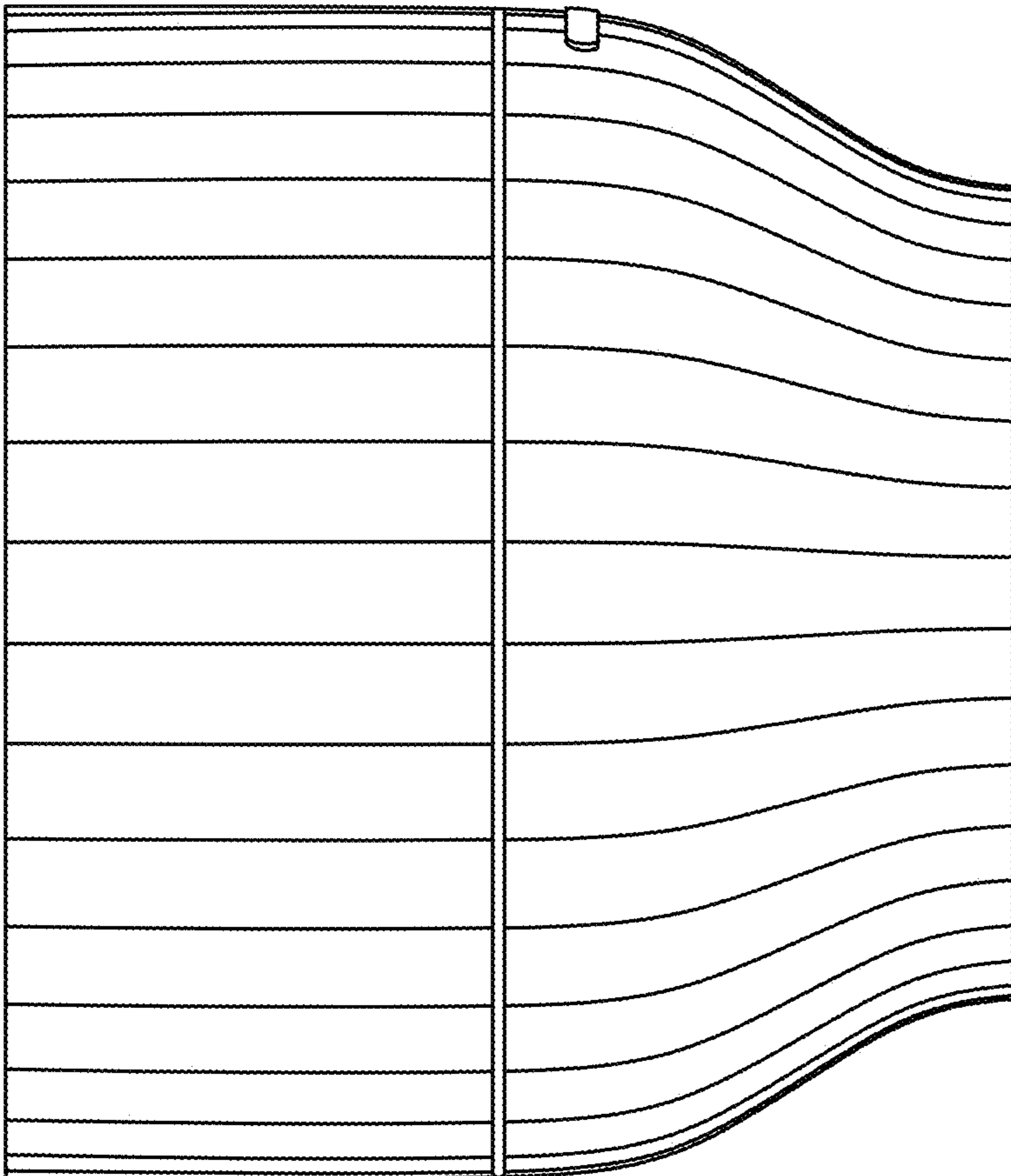


FIG. 3

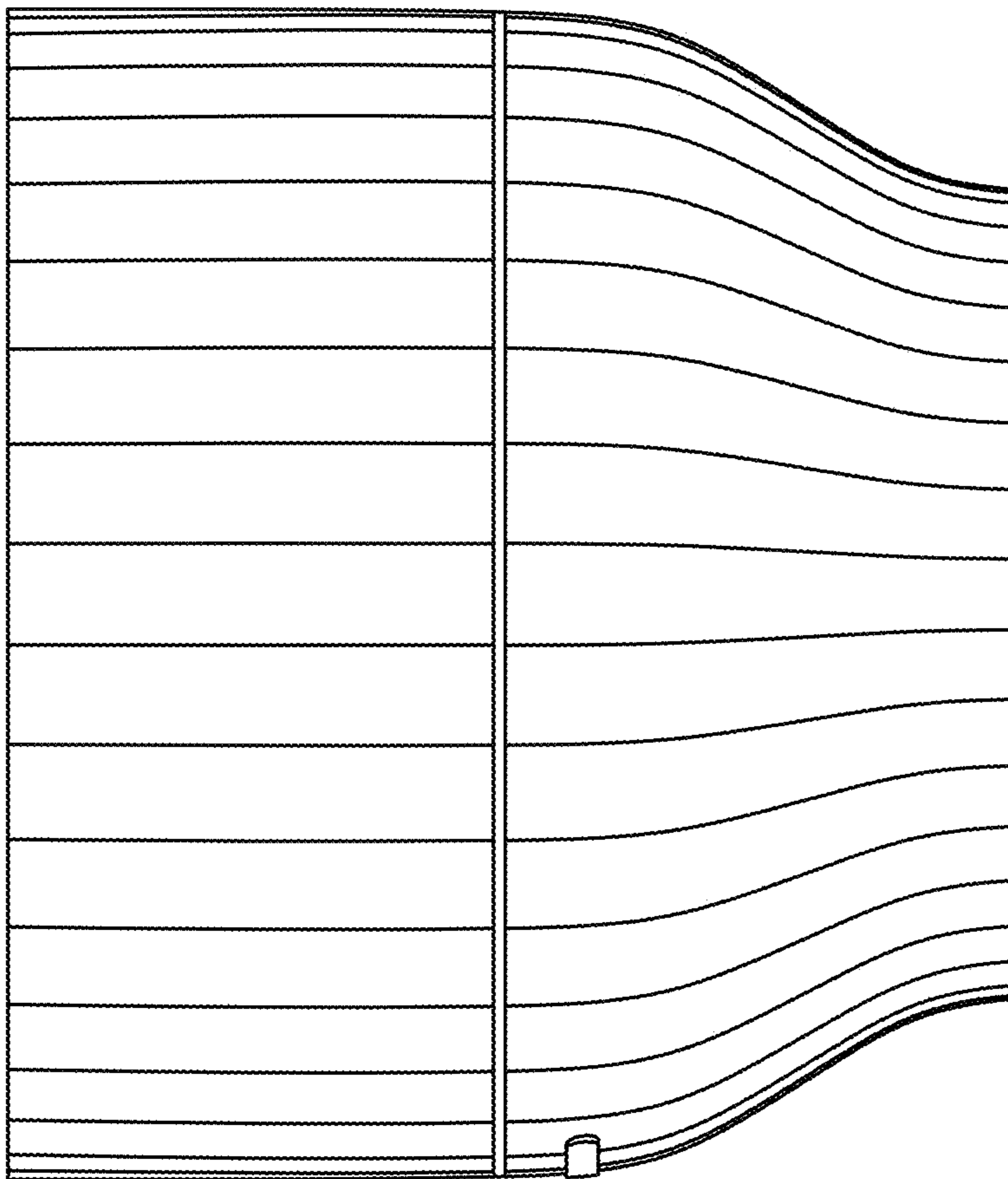


FIG. 4

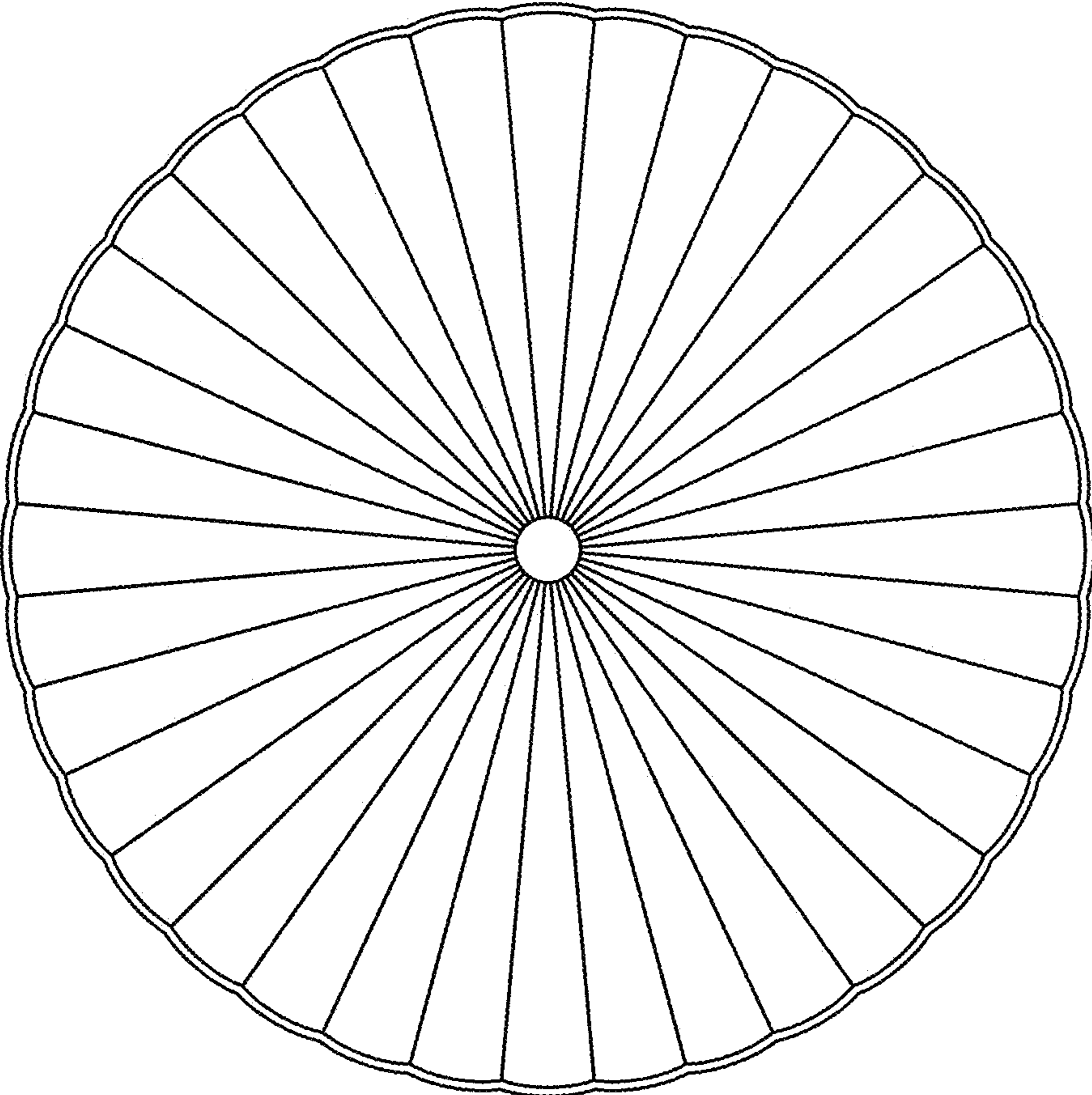


FIG. 5

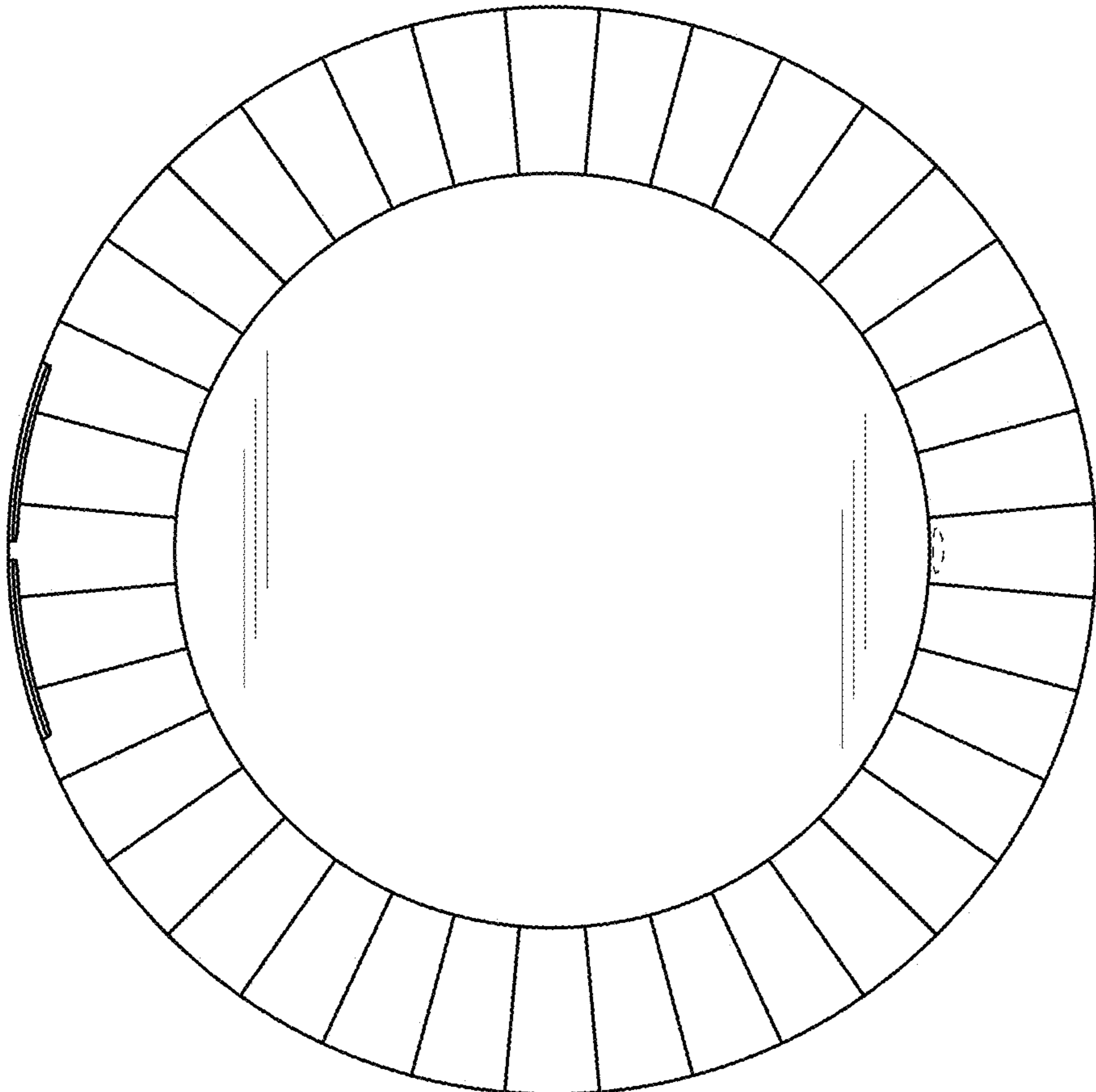


FIG. 6

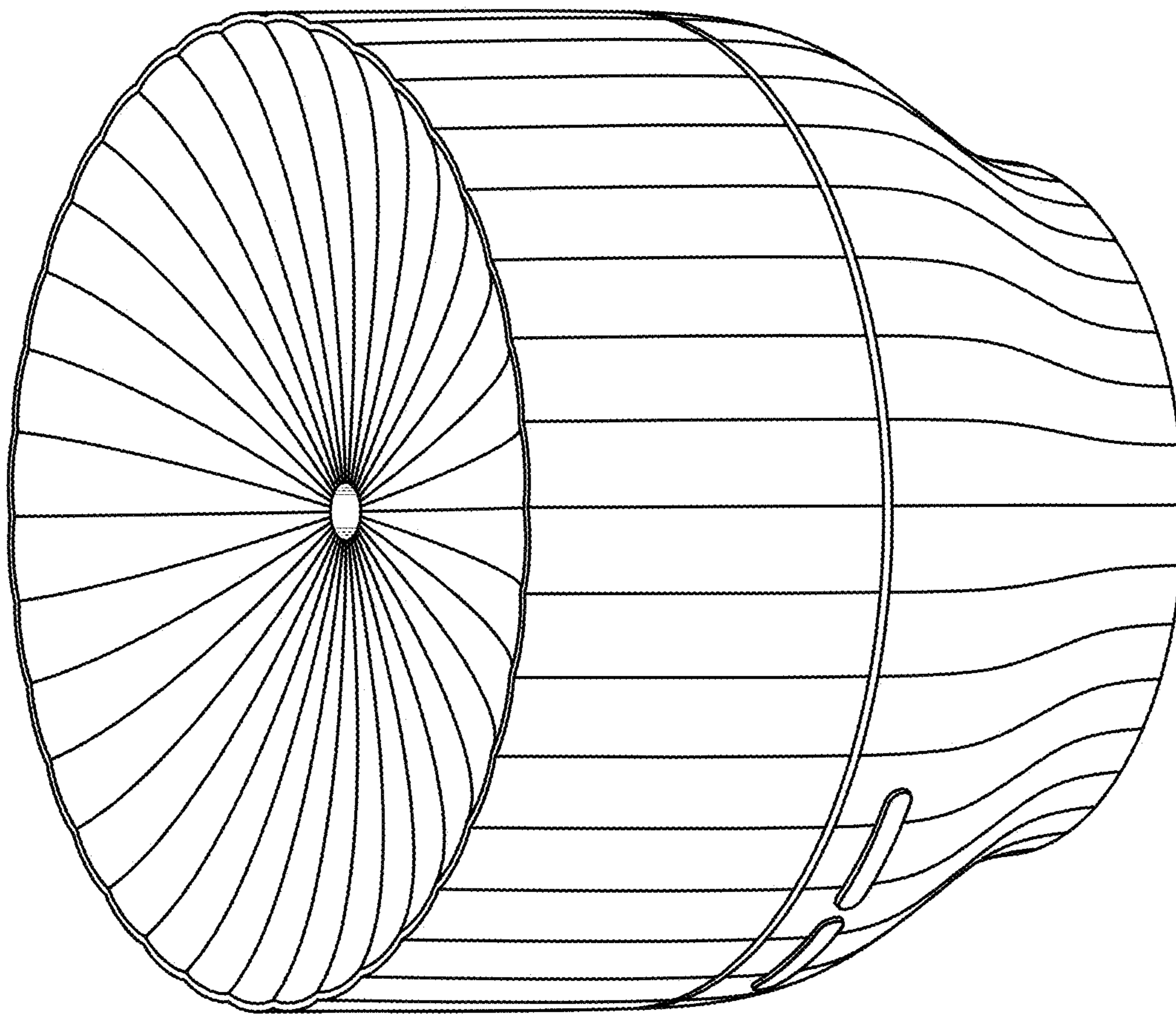


FIG. 7



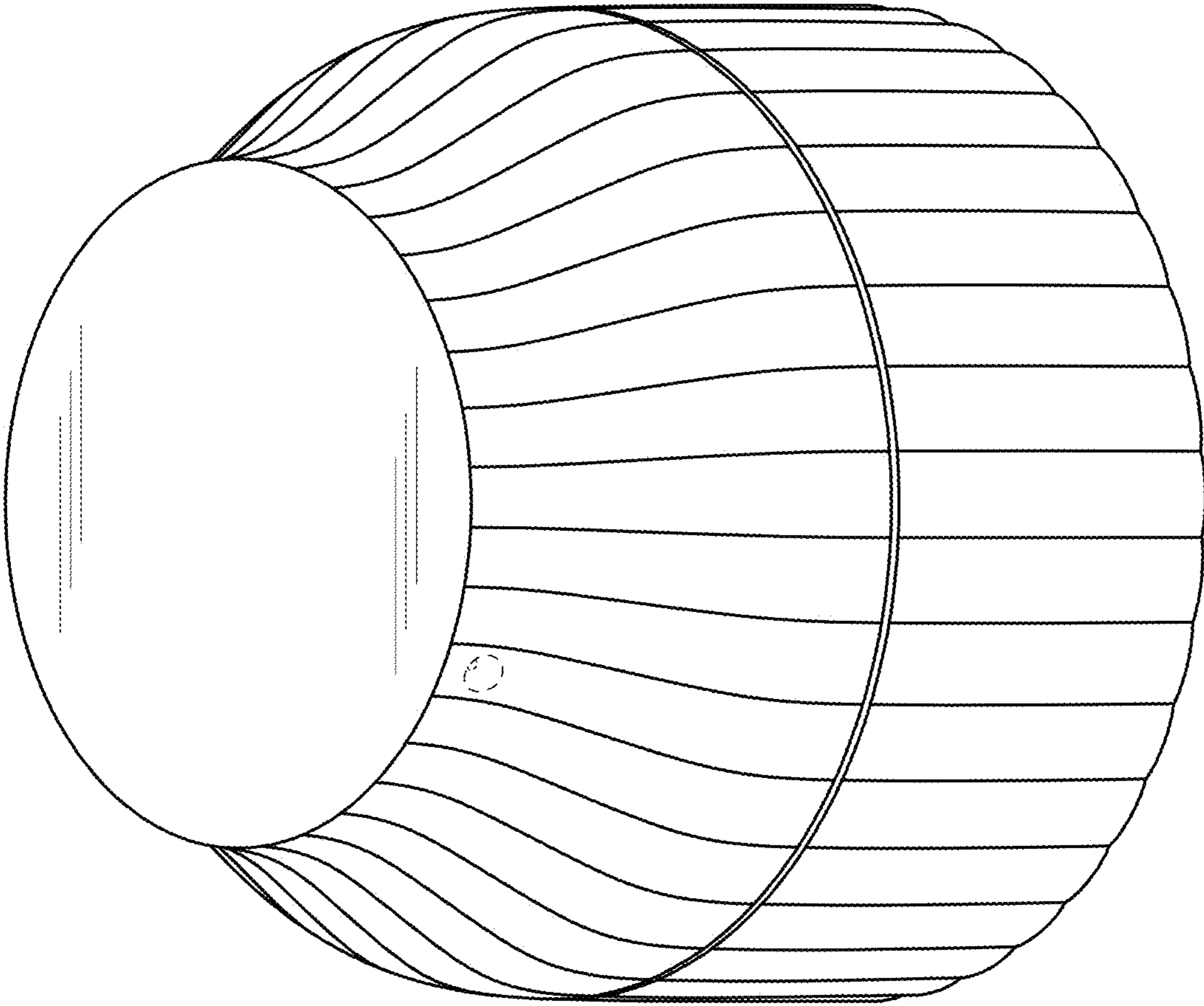


FIG. 8