



US00D978315S

(12) **United States Design Patent** (10) **Patent No.:** **US D978,315 S**
Garcia Neila et al. (45) **Date of Patent:** **** Feb. 14, 2023**

(54) **AIR FRESHENER**

(71) Applicant: **ZOBELE HOLDING SPA**, Trento (IT)

(72) Inventors: **Carla Garcia Neila**, Barcelona (ES);
Joaquim Llorente Alonso, Barcelona (ES)

(73) Assignee: **ZOBELE HOLDING SPA**, Trento (IT)

(**) Term: **15 Years**

(21) Appl. No.: **29/767,654**

(22) Filed: **Jan. 25, 2021**

(51) **LOC (14) Cl.** **23-04**

(52) **U.S. Cl.**
USPC **D23/366**

(58) **Field of Classification Search**
USPC D7/509, 510; D11/143, 152; D14/195,
D14/204, 216, 221, 228, 242; D23/207,
D23/208, 209, 213, 223, 333, 335, 336,
D23/342, 351, 352, 353, 355, 356, 359,
D23/360, 362, 364–366, 370; D24/108,
D24/112, 129, 206; D26/26, 37, 40, 46,
D26/49; D9/425

CPC F24F 6/00; F24F 6/06; F24F 6/12; F24F
6/14; F24F 1/00; F24F 1/01; F24F 1/02;
F24F 1/022; F24F 7/065; A47G 7/06;
A61M 11/02; A61M 11/041; A61L 9/01;
A61L 9/00; A61L 9/03; A61L 9/12; A61L
9/122; A61L 9/127; A61L 2209/11; A61L
2209/14; A61L 2209/133; Y10S 261/17;
Y10S 261/88; Y10S 261/89; B01D 46/10;
B01D 46/0005; B01D 46/2411

See application file for complete search history.

(56) **References Cited**

U.S. PATENT DOCUMENTS

D604,802	S	*	11/2009	Schoenherr	D23/213
D658,269	S	*	4/2012	Schoenherr	D23/213
D729,368	S	*	5/2015	Markwick	D23/366
D799,018	S	*	10/2017	Kim	D23/370
D873,402	S	*	1/2020	Brandenburg	D23/366
D888,925	S	*	6/2020	Brandenburg	D23/366
D895,096	S	*	9/2020	Brandenburg	D23/366
D899,638	S	*	10/2020	Li	D26/26

* cited by examiner

Primary Examiner — Gino Colan

Assistant Examiner — David OBrien

(74) *Attorney, Agent, or Firm* — Amster, Rothstein & Ebenstein LLP

(57) **CLAIM**

The ornamental design for an air freshener, as shown and described.

DESCRIPTION

FIG. 1 is a perspective view of an air freshener showing our new design;

FIG. 2 is a front view thereof;

FIG. 3 is a top view thereof;

FIG. 4 is a side view thereof;

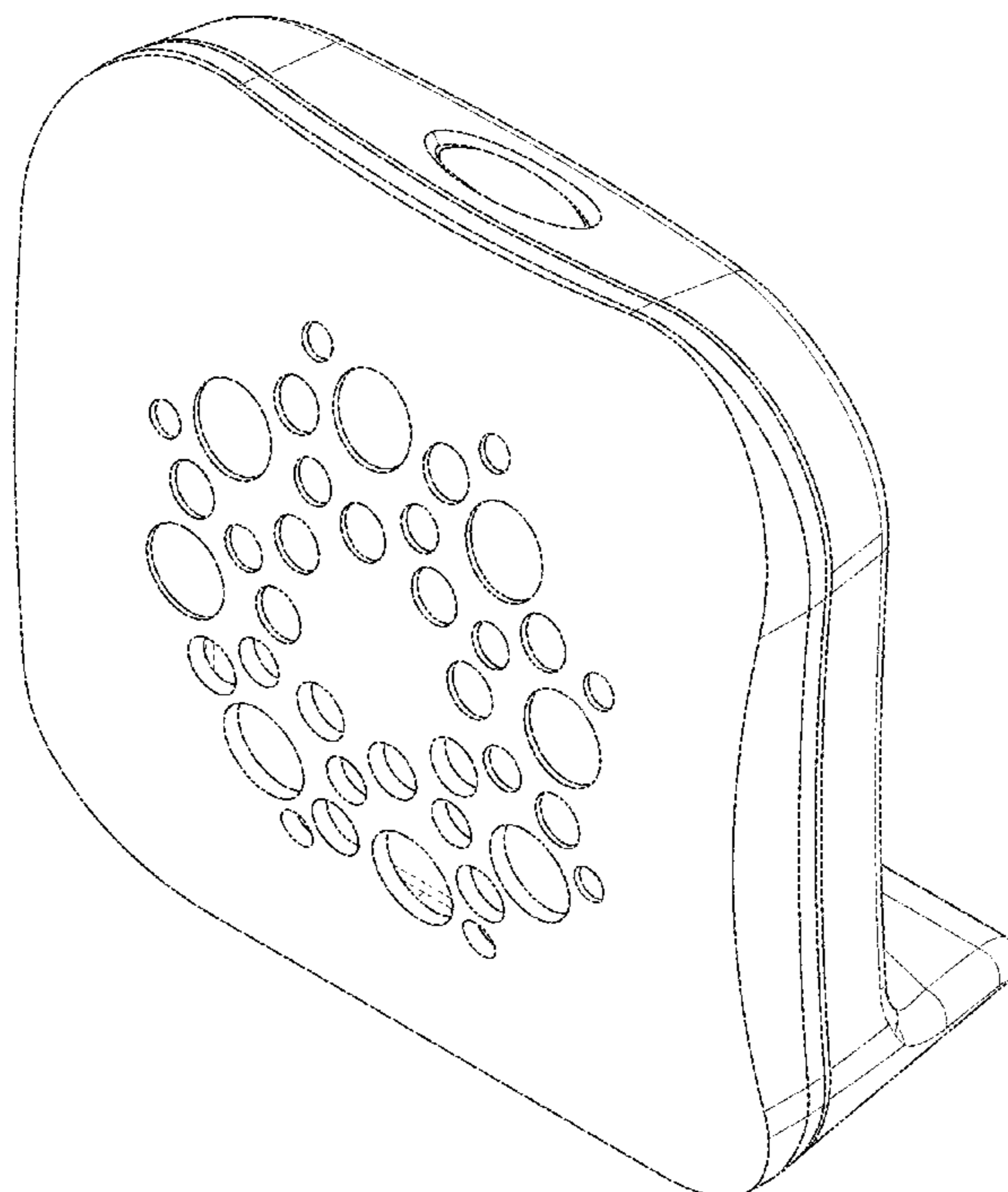
FIG. 5 is an opposite side view thereof;

FIG. 6 is a bottom view thereof; and,

FIG. 7 is a rear view thereof.

The broken lines shown in the drawings are for the purpose of illustrating portions of the air freshener and form no part of the claimed design.

1 Claim, 7 Drawing Sheets



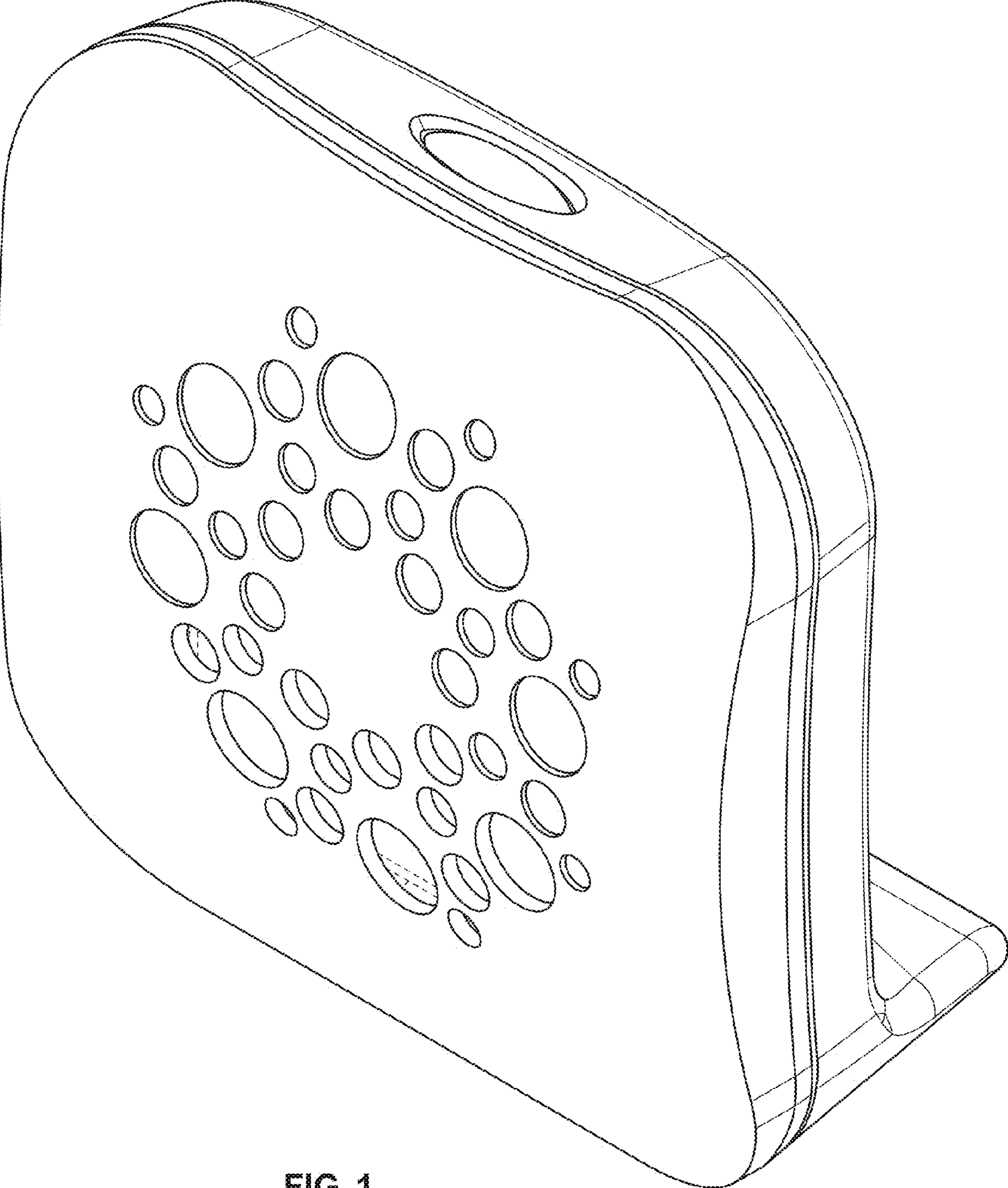


FIG. 1

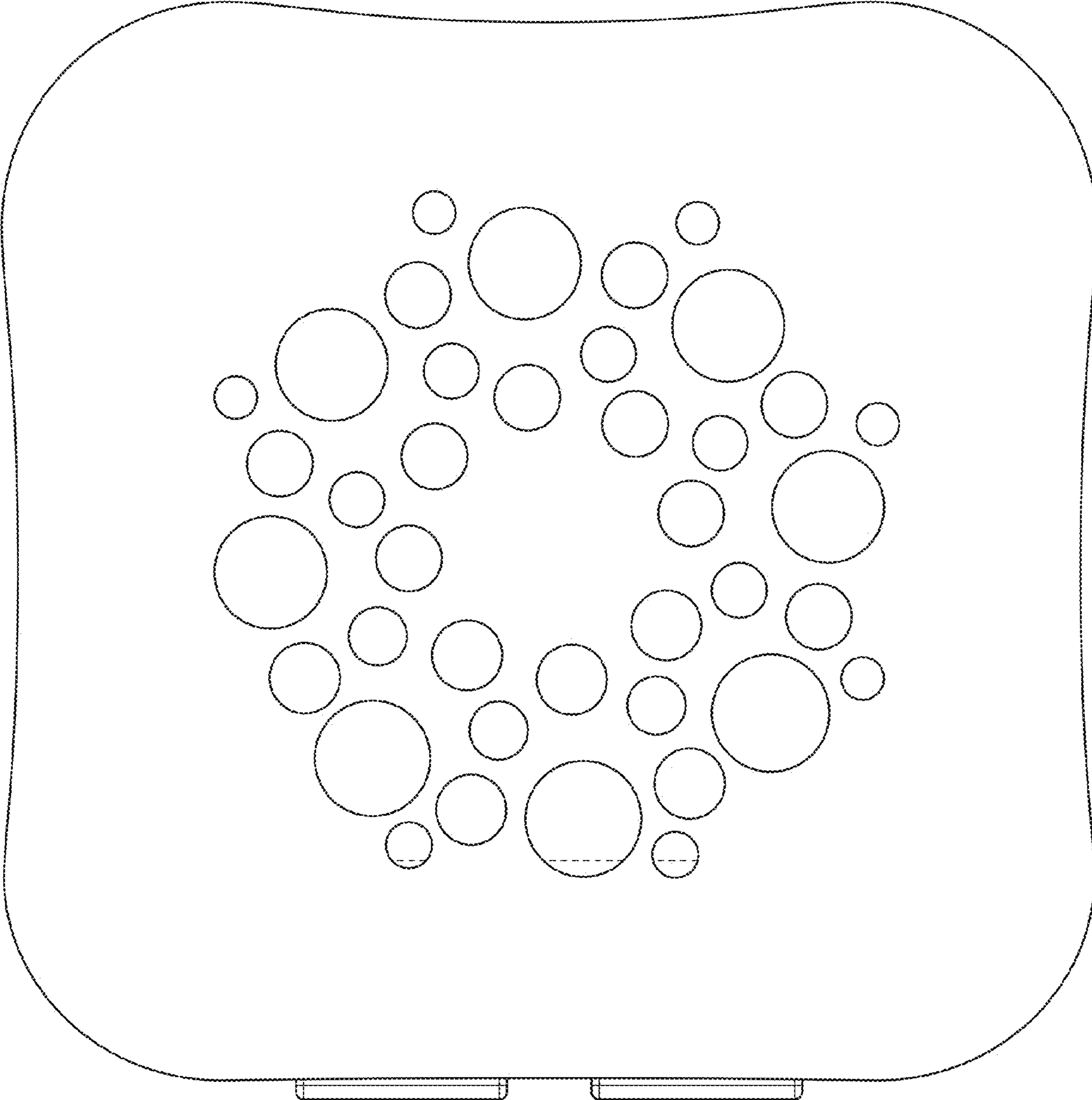


FIG. 2

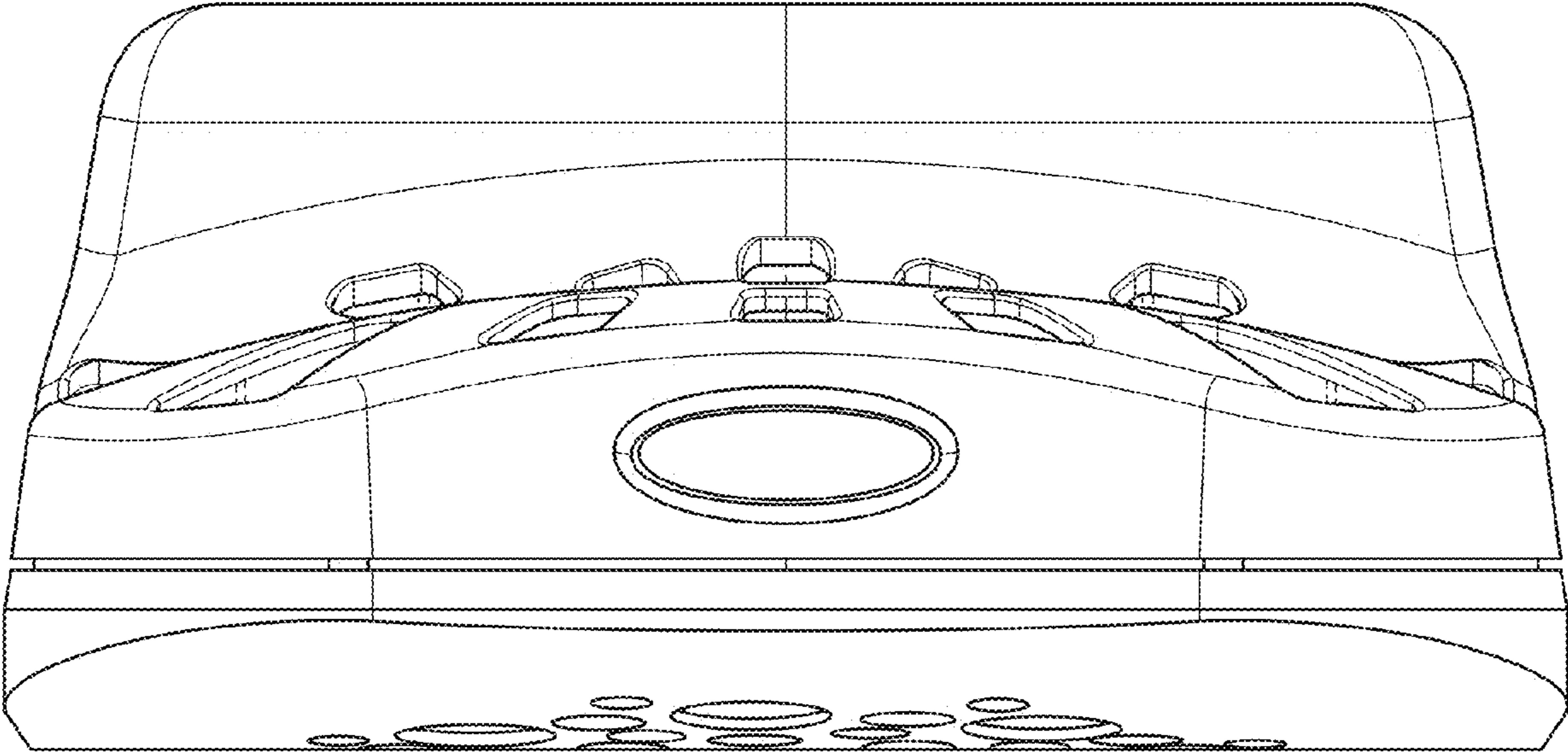


FIG. 3

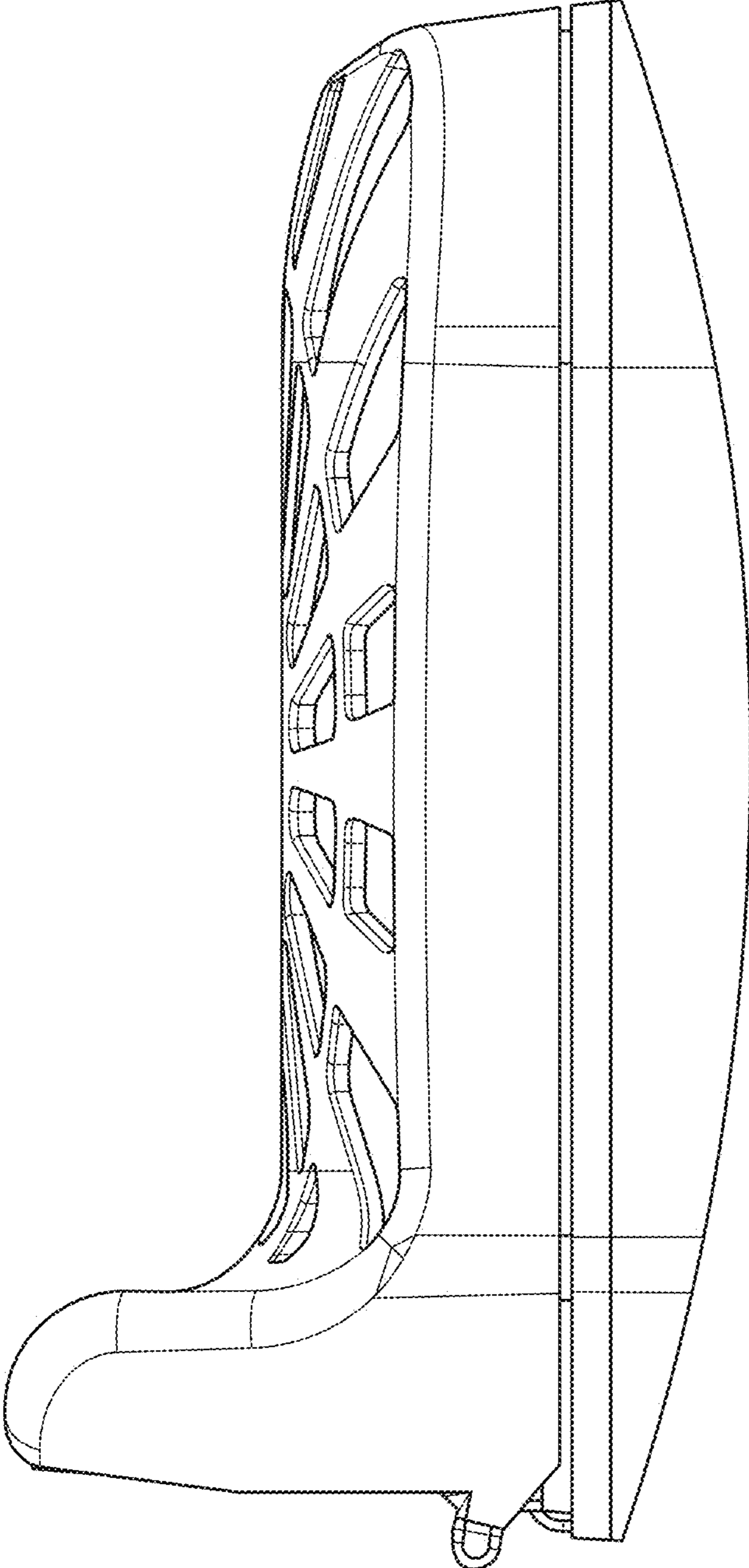


FIG. 4

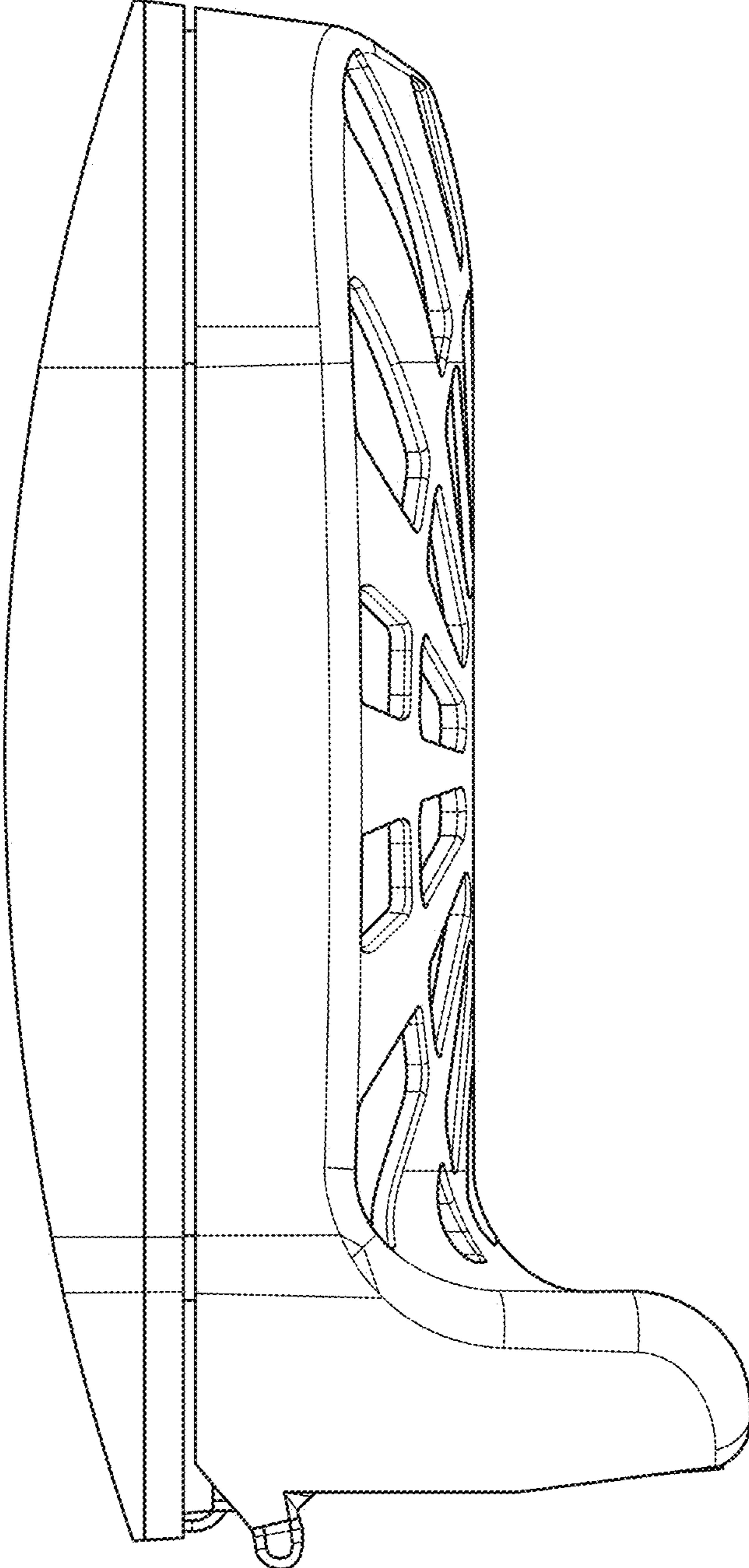


FIG. 5

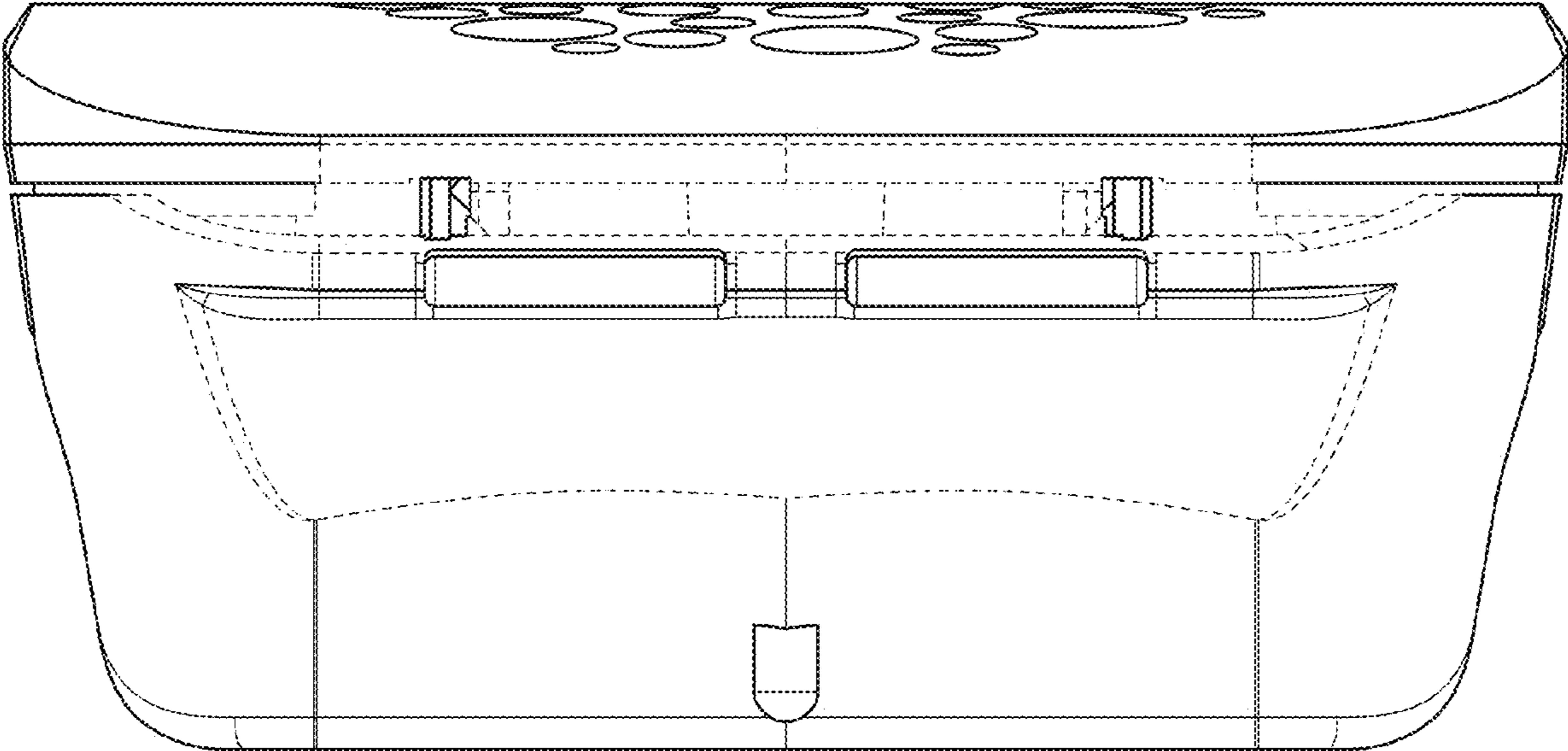


FIG. 6

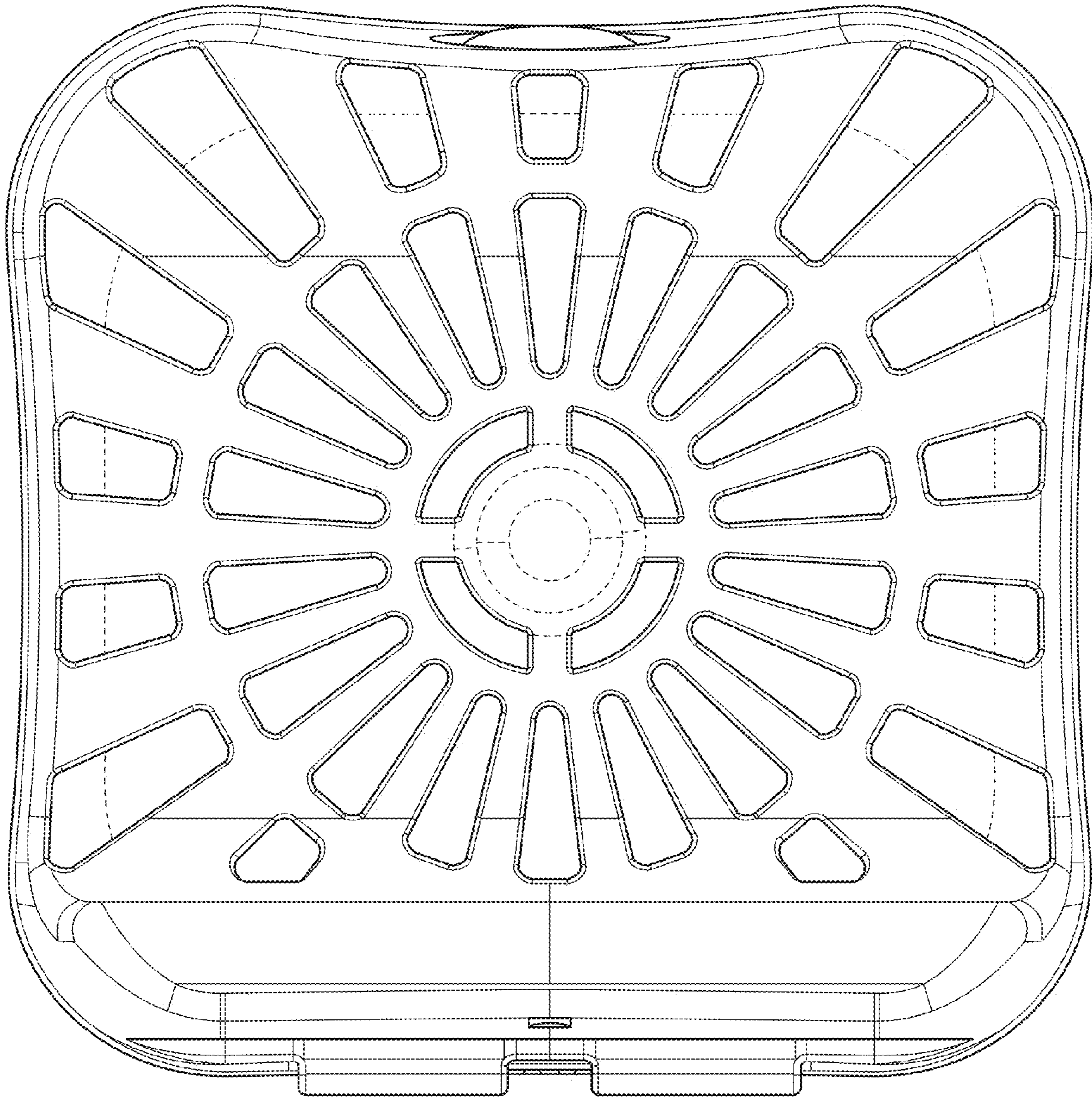


FIG. 7