

US00D978312S

(12) **United States Design Patent**
Xu et al.

(10) **Patent No.:** **US D978,312 S**

(45) **Date of Patent:** **** Feb. 14, 2023**

- (54) **STERILIZABLE AIR PURIFIER**
- (71) Applicant: **FUJIAN OSPRING TECHNOLOGY DEVELOPMENT CO., LTD**, Fuzhou (CN)
- (72) Inventors: **KaiQin Xu**, Fuzhou (CN); **GuoHong Ruan**, Fuzhou (CN); **XiaoYun Lin**, Fuzhou (CN); **XinYi Hu**, Fuzhou (CN); **Qin Zheng**, Fuzhou (CN); **Hao Fang**, Fuzhou (CN); **WenJuan Wu**, Fuzhou (CN)
- (73) Assignee: **FUJIAN OSPRING TECHNOLOGY DEVELOPMENT CO., LTD**, Fuzhou (CN)

D439,631 S *	3/2001	Crescenzi	D23/209
D444,204 S *	6/2001	Hilgers	D7/319
D444,843 S *	7/2001	Hilgers	D7/319
D446,995 S *	8/2001	Porsche	D7/378
D452,296 S *	12/2001	Egnell	D23/209
D670,526 S *	11/2012	Street	D7/319
D827,354 S *	9/2018	Wong	D7/318
D948,916 S *	4/2022	Yao	D7/317

* cited by examiner

Primary Examiner — David G Muller

(74) *Attorney, Agent, or Firm* — Bayramoglu Law Offices LLC

(**) Term: **15 Years**

(21) Appl. No.: **29/728,167**

(22) Filed: **Mar. 17, 2020**

(51) **LOC (14) Cl.** **23-04**

(52) **U.S. Cl.**
USPC **D23/364**

(58) **Field of Classification Search**
USPC D23/355–366, 352, 369, 332, 333, 335, D23/336, 342, 351; D7/316–318
CPC .. A61L 9/16; A61L 9/22; B01D 47/00; B01D 47/027; B01D 2221/02; B01D 2259/4508; B03C 3/155; B03C 3/368; F24F 3/16; F24F 13/20; F24F 13/28
See application file for complete search history.

(56) **References Cited**

U.S. PATENT DOCUMENTS

D287,324 S *	12/1986	Schmidt	D10/46.2
D287,325 S *	12/1986	Schmidt	D10/46.2

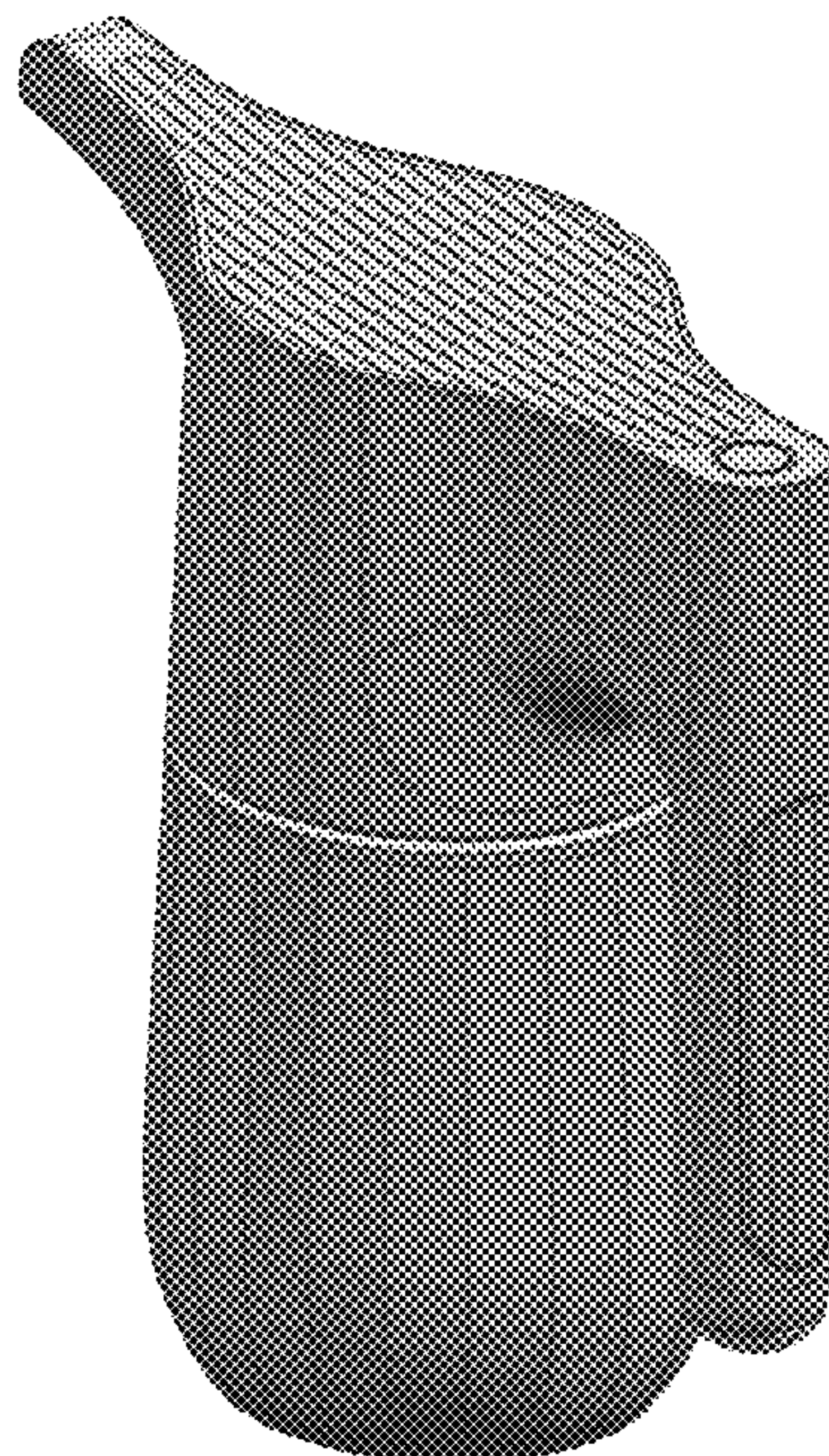
(57) **CLAIM**

The ornamental design for a sterilizable air purifier, as shown and described.

DESCRIPTION

FIG. 1 is a front elevational view of the first embodiment of a sterilizable air purifier showing our new design; FIG. 2 is a right side view thereof; FIG. 3 is a left side view thereof; FIG. 4 is a top plan view thereof; FIG. 5 is a bottom plan view thereof; FIG. 6 is a top and right perspective view thereof; and, FIG. 7 is a bottom and left perspective view thereof. A rear elevational view of the first embodiment of the sterilizable air purifier is omitted since the rear elevational view thereof is a mirror image of the front elevational view thereof.

1 Claim, 7 Drawing Sheets



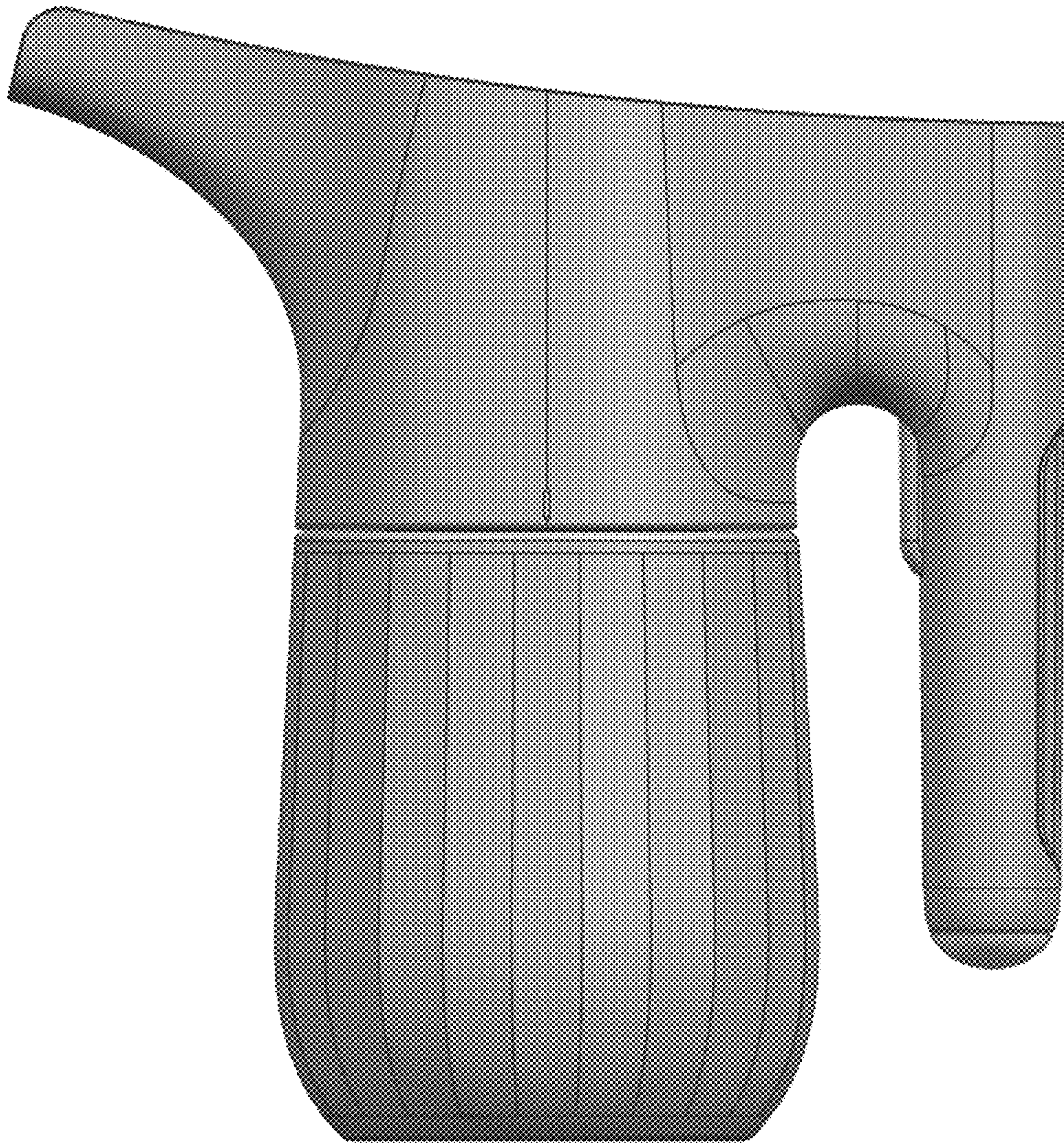


FIG. 1

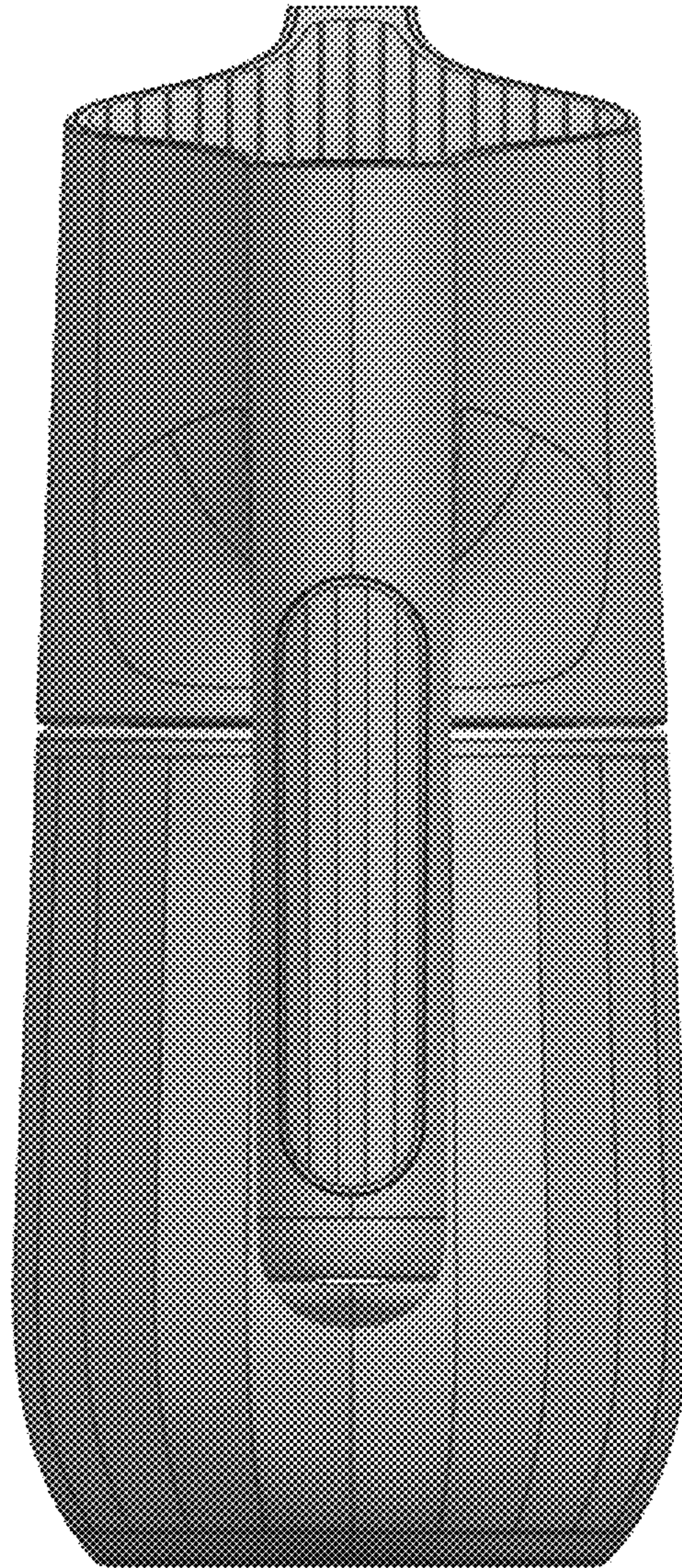


FIG. 2

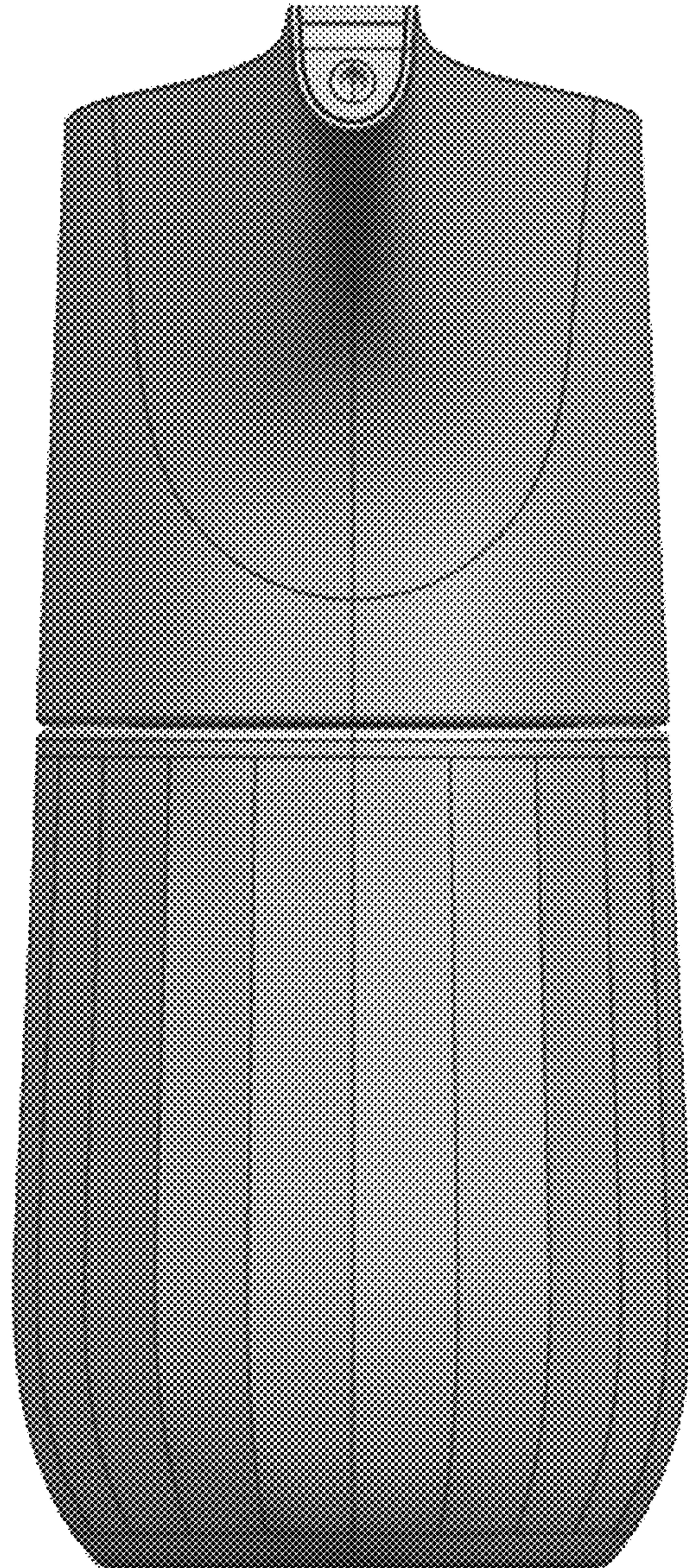


FIG. 3

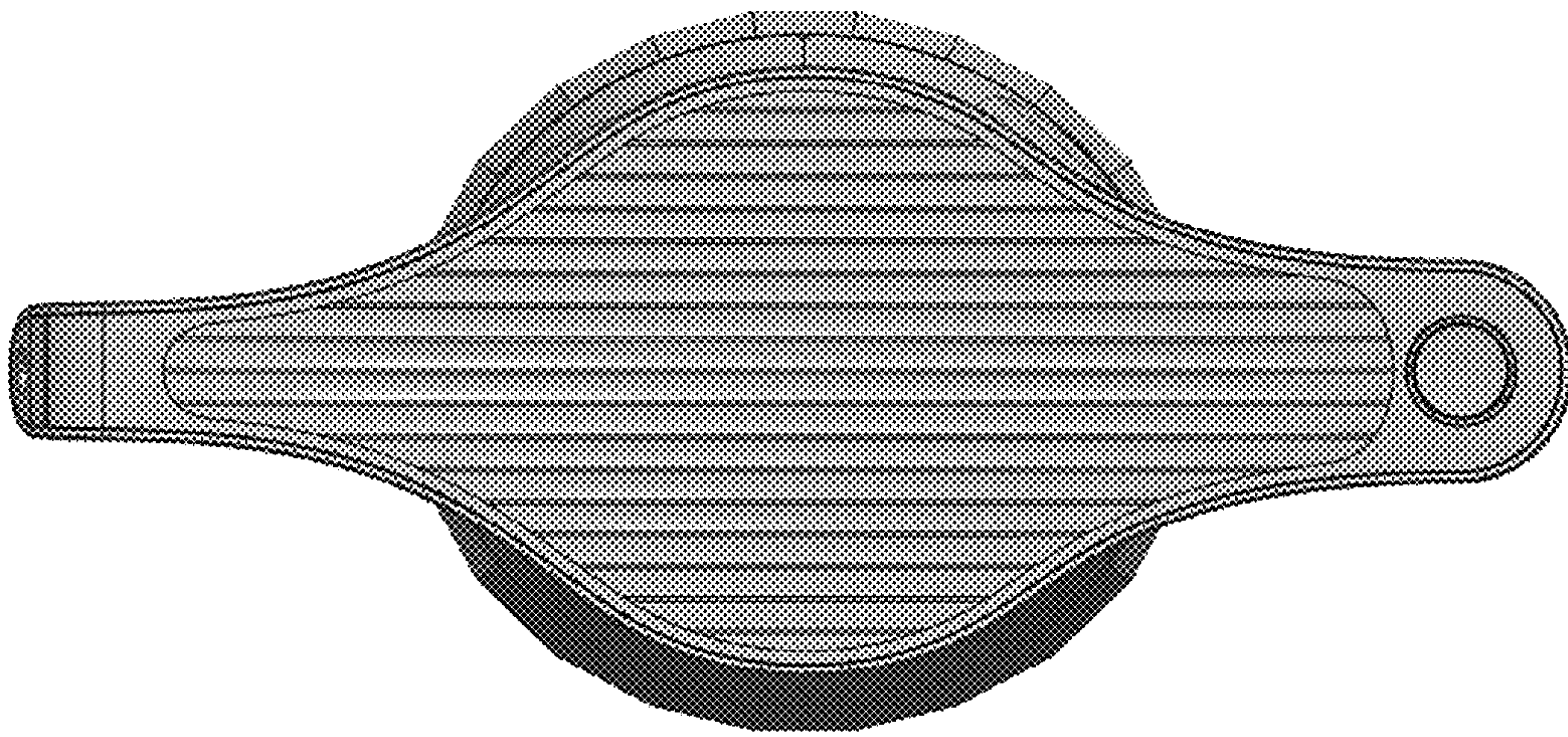


FIG. 4

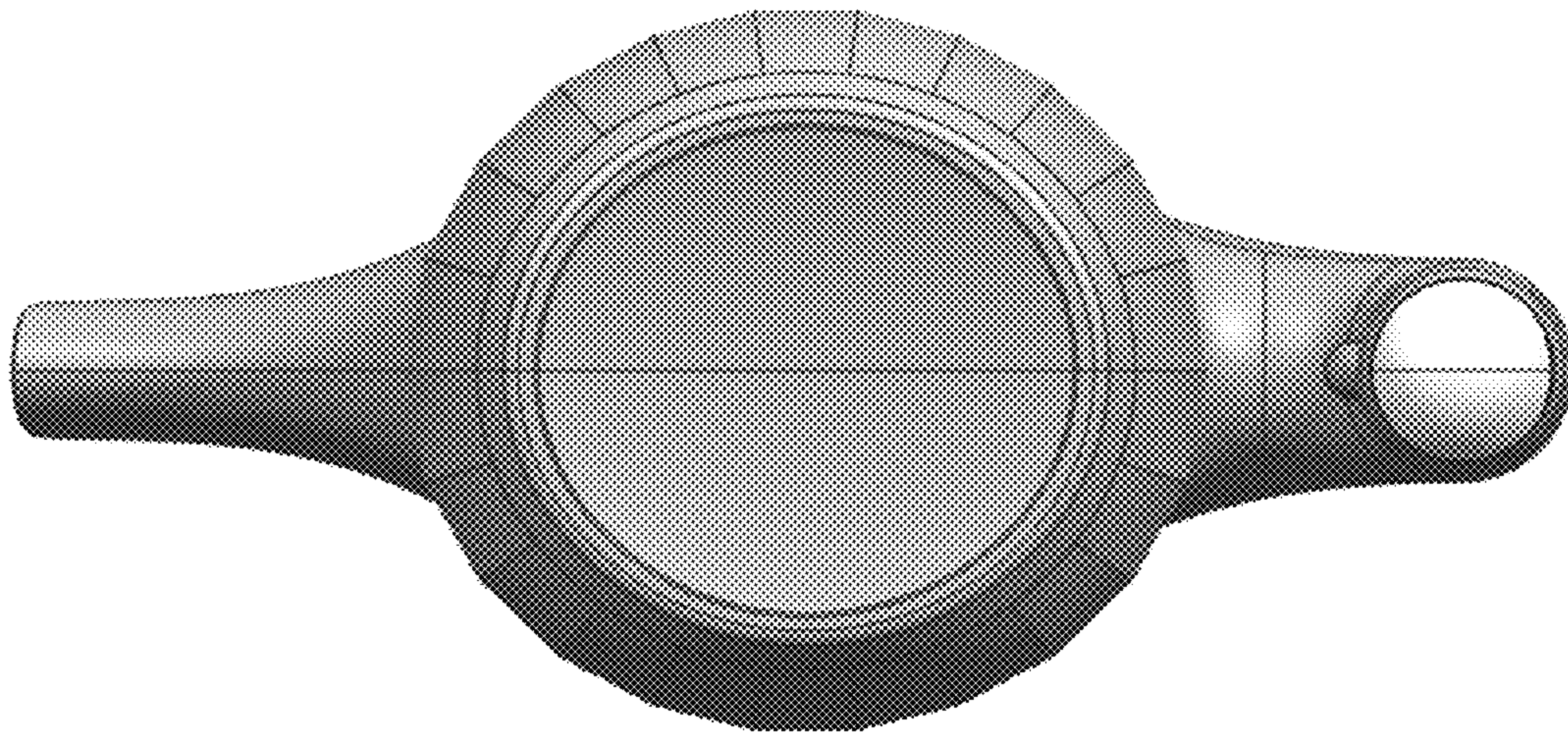


FIG. 5

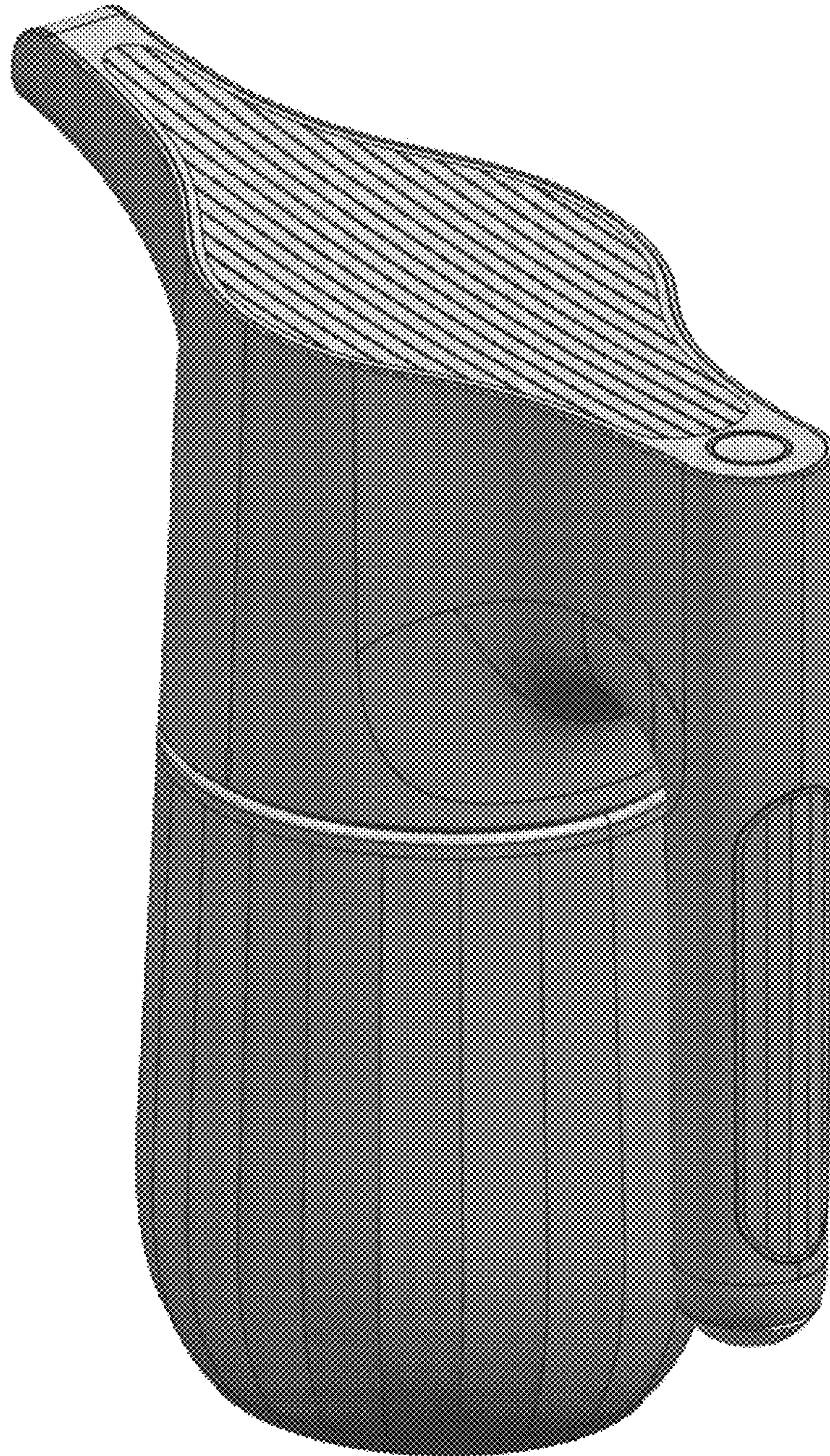


FIG. 6

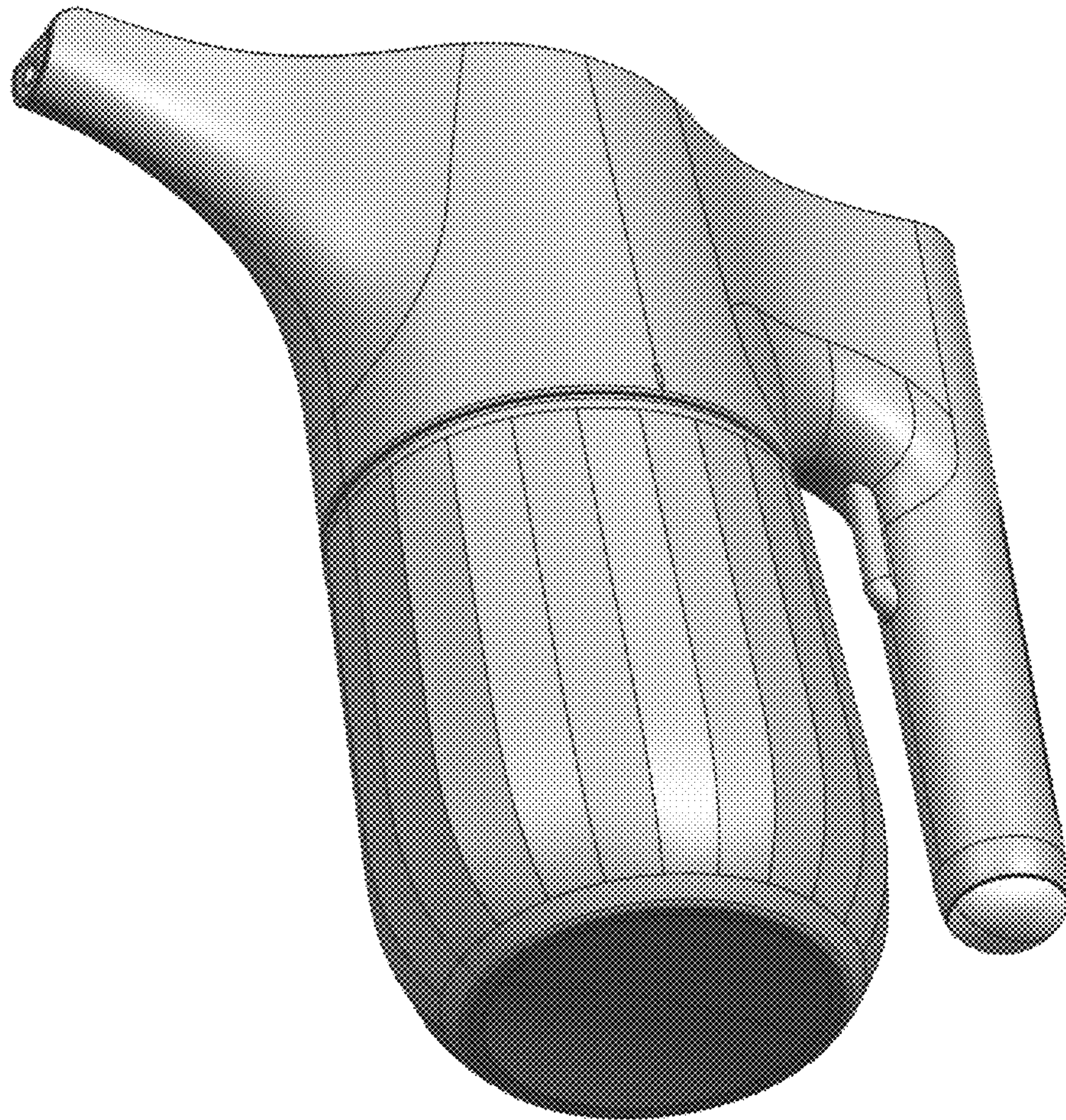


FIG. 7