



US00D978309S

(12) **United States Design Patent** (10) **Patent No.:** **US D978,309 S**
Jungers (45) **Date of Patent:** **** Feb. 14, 2023**

(54) **HEATER BOX**

FOREIGN PATENT DOCUMENTS

(71) Applicant: **Minnesota Outdoor Products LLC**,
Brainerd, MN (US)

CN 304227305 * 8/2017

(72) Inventor: **Jon W. Jungers**, Brainerd, MN (US)

OTHER PUBLICATIONS

(73) Assignee: **Minnesota Outdoor Products LLC**,
Brainerd, MN (US)

Rubbermaid Commercial Products 35-Gallon Untouchable Square Trash/Garbage Can, first available Sep. 14, 2004[online], [site visited Jul. 11, 2022]. Available from internet, URL:<https://www.amazon.com/Rubbermaid-gallon-Capacity-Untouchable-Container/dp/B000BDB370> (Year: 2004).*

(**) Term: **15 Years**

(Continued)

(21) Appl. No.: **29/741,393**

(22) Filed: **Jul. 13, 2020**

Primary Examiner — Jae Liang

(51) **LOC (14) Cl.** **23-01**

Assistant Examiner — Jamaal Rasheed

(52) **U.S. Cl.**
USPC **D23/335**

(74) *Attorney, Agent, or Firm* — Dicke, Billig & Czaja, PLLC

(58) **Field of Classification Search**
USPC D23/328, 332, 335-337, 342, 355, 357,
D23/386-387; D3/282, 302, 304;
D19/86, 90; D34/1

(57) **CLAIM**

CPC F27D 5/00
See application file for complete search history.

The ornamental design for a heater box, as shown and described.

DESCRIPTION

(56) **References Cited**

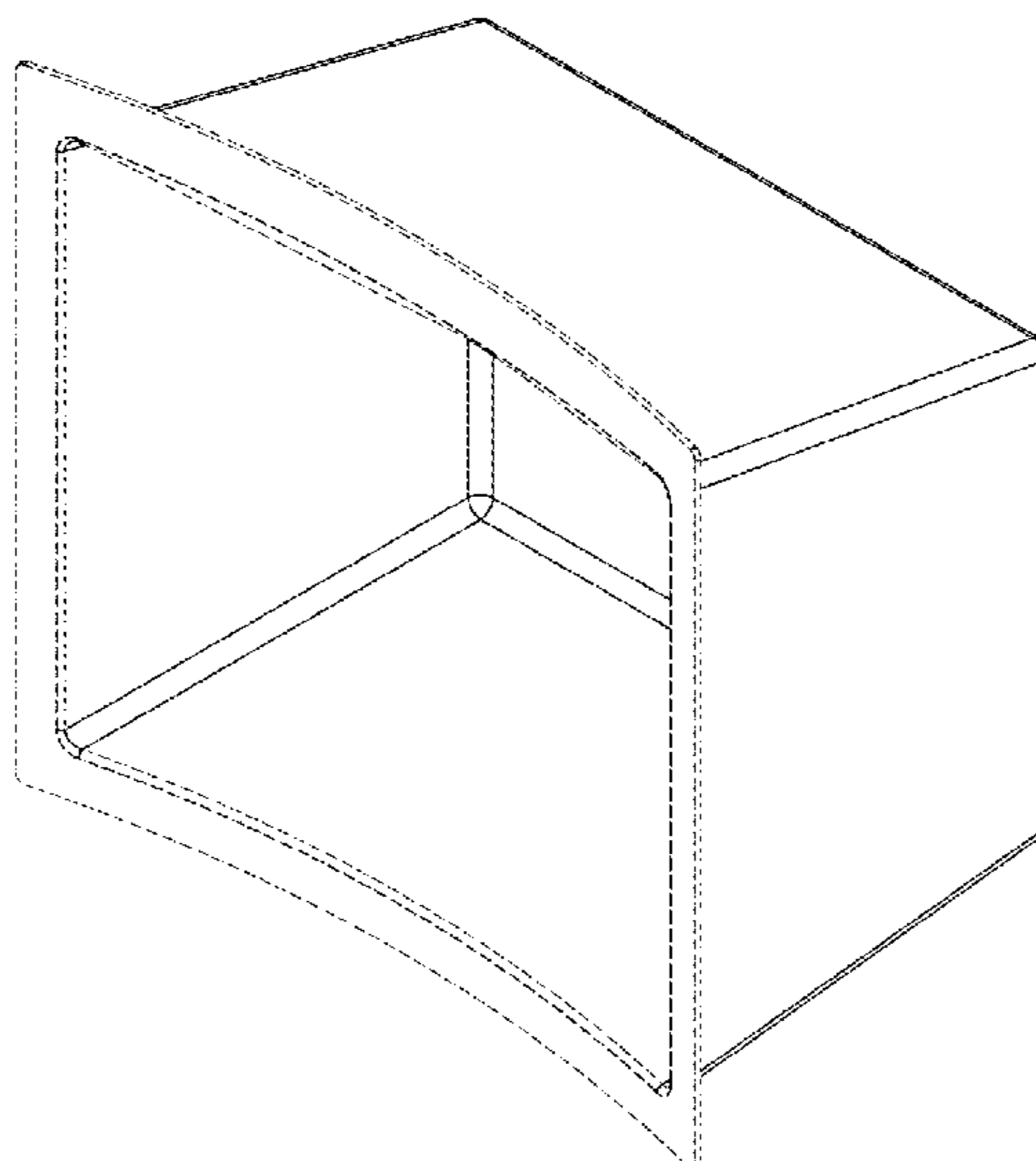
U.S. PATENT DOCUMENTS

D186,194 S *	9/1959	Beverlin	D34/1
D405,576 S *	2/1999	Rausch	D34/1
D493,590 S *	7/2004	Chen	D34/1
D602,255 S *	10/2009	Ahlgrim	D3/304
D602,667 S *	10/2009	Barbieri	D34/1
D649,728 S *	11/2011	Campbell	D34/1
D710,701 S *	8/2014	Lai	D24/123
D738,167 S *	9/2015	Weernink	D7/644
D753,918 S *	4/2016	Lindsay	D19/86
D760,497 S *	7/2016	Martin	D3/304
D774,173 S *	12/2016	Engberg	D23/364
D780,264 S *	2/2017	Greenspon	D19/90
D822,762 S *	7/2018	Gwartzman	D19/104
D848,148 S *	5/2019	Li	D3/282
D893,874 S *	8/2020	Kraemer	D3/307
D912,985 S *	3/2021	Kraemer	D6/683

(Continued)

FIG. 1 is a front and top perspective view of a heater box, showing my new design;
FIG. 2 is a rear and top perspective view thereof;
FIG. 3 is a front end view thereof;
FIG. 4 is a rear end view thereof;
FIG. 5 is a left side view thereof, the right side view being a mirror image;
FIG. 6 is a top plan view thereof, the bottom plan view being a mirror image; and,
FIG. 7 is a perspective view thereof shown in a used condition with a hunting stand.
The broken lines in FIGS. 1-6 represent portions of the article that form no part of the claimed design. The dot-dash-dash lines in FIG. 7 represent environmental structure that forms no part of the claimed design.

1 Claim, 7 Drawing Sheets



(56)

References Cited

U.S. PATENT DOCUMENTS

D919,974 S * 5/2021 Kraemer D6/683
D946,897 S * 3/2022 Kraemer D6/683
D949,556 S * 4/2022 Hsu D3/279
D955,677 S * 6/2022 Chen D34/7
D956,383 S * 6/2022 Chen D34/7

OTHER PUBLICATIONS

NDS 1200BKIT 12" Catch Basin Kit, first available Sep. 16, 2004[online], [site visited Jul. 11, 2022]. Available from internet, URL:<<https://www.amazon.ca/dp/B000BOJ6UK>> (Year: 2011).*

Kraus Standart PRO™ 30-inch 16 Gauge Undermount Single Bowl Stainless Steel Kitchen Sink, first available Mar. 16, 2012[online], [site visited Jul. 11, 2022]. Available from internet, URL:<<https://www.amazon.ca/dp/B0032BYM4Y>> (Year: 2012).*

* cited by examiner

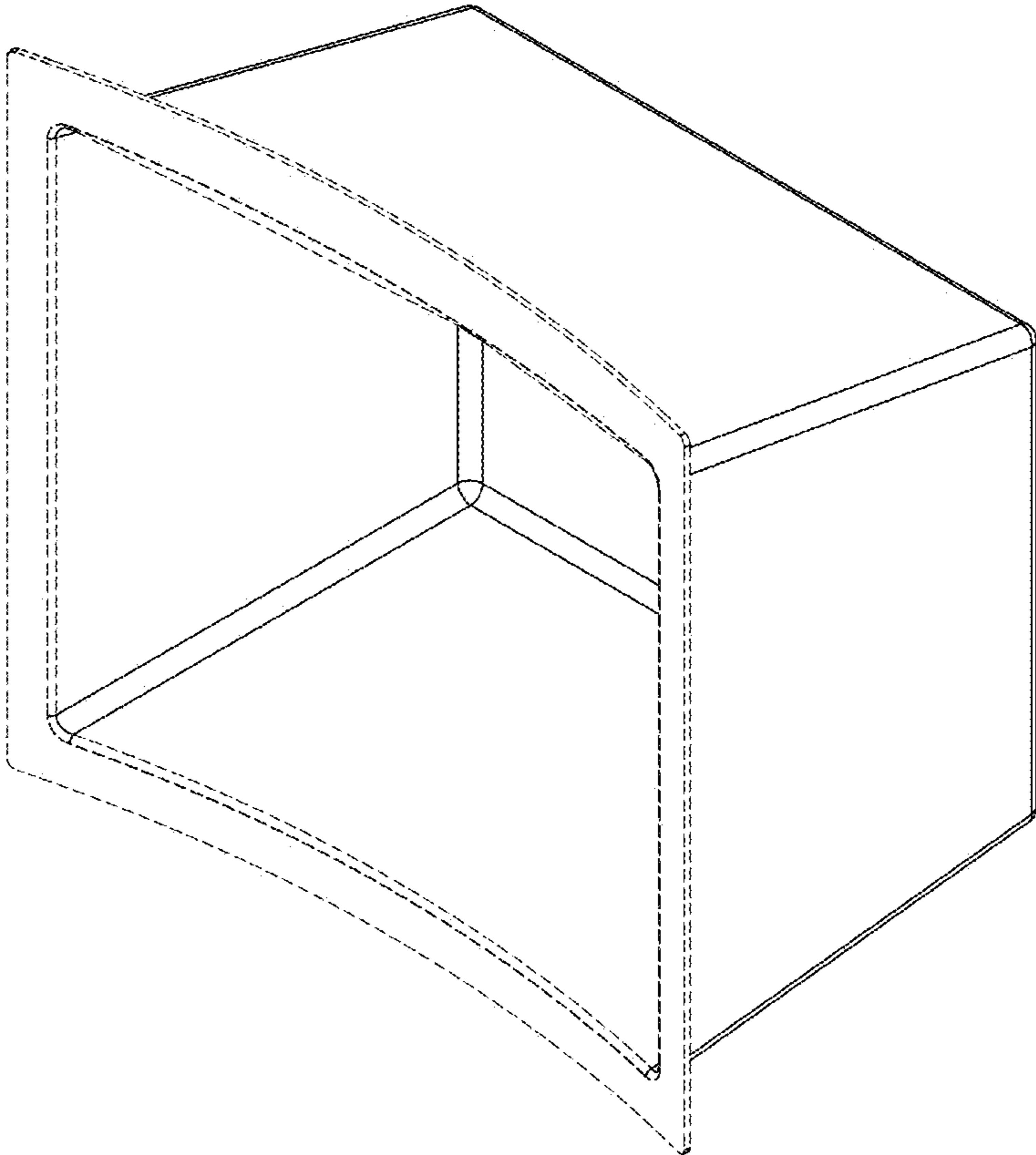


FIG. 1

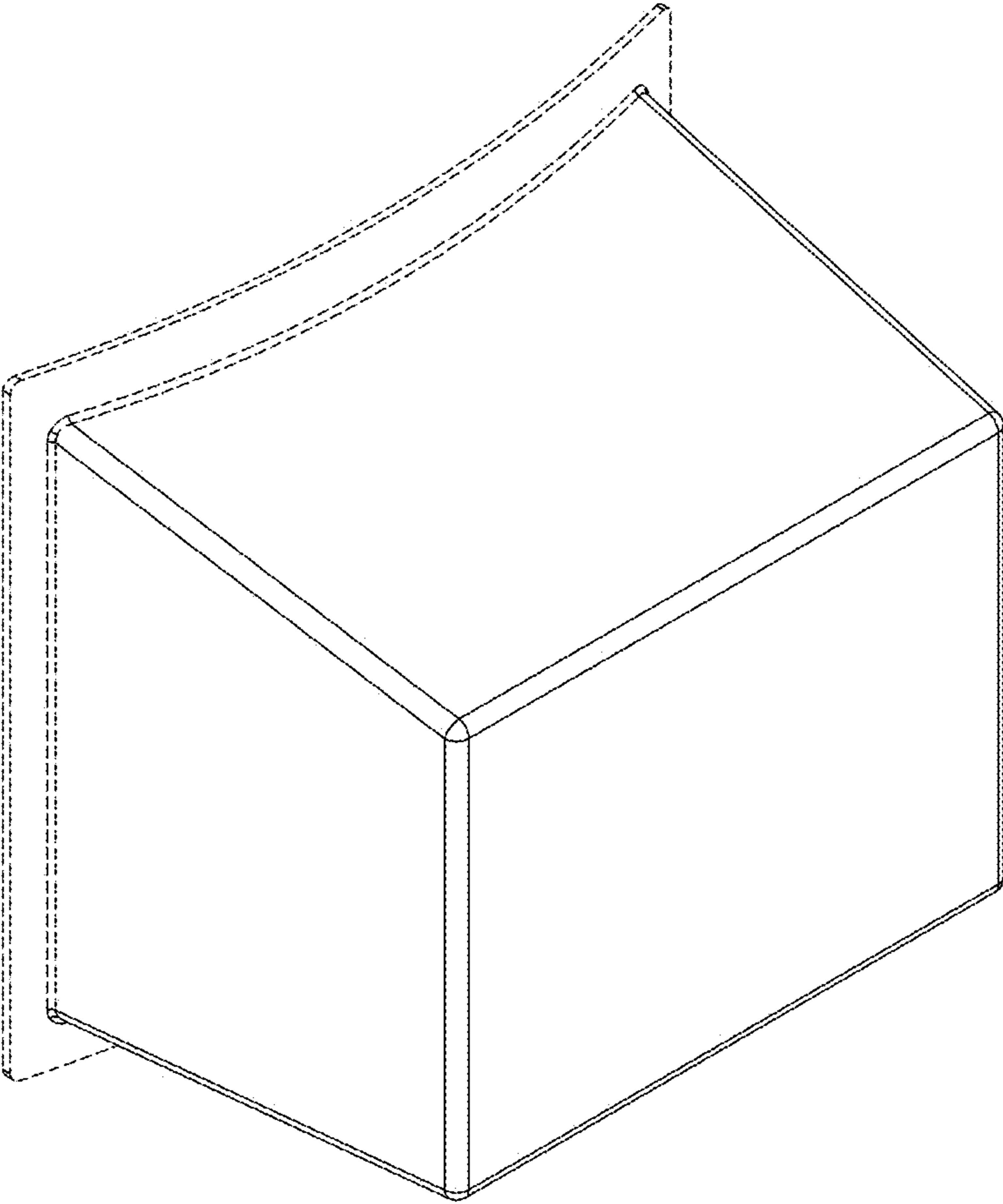


FIG. 2

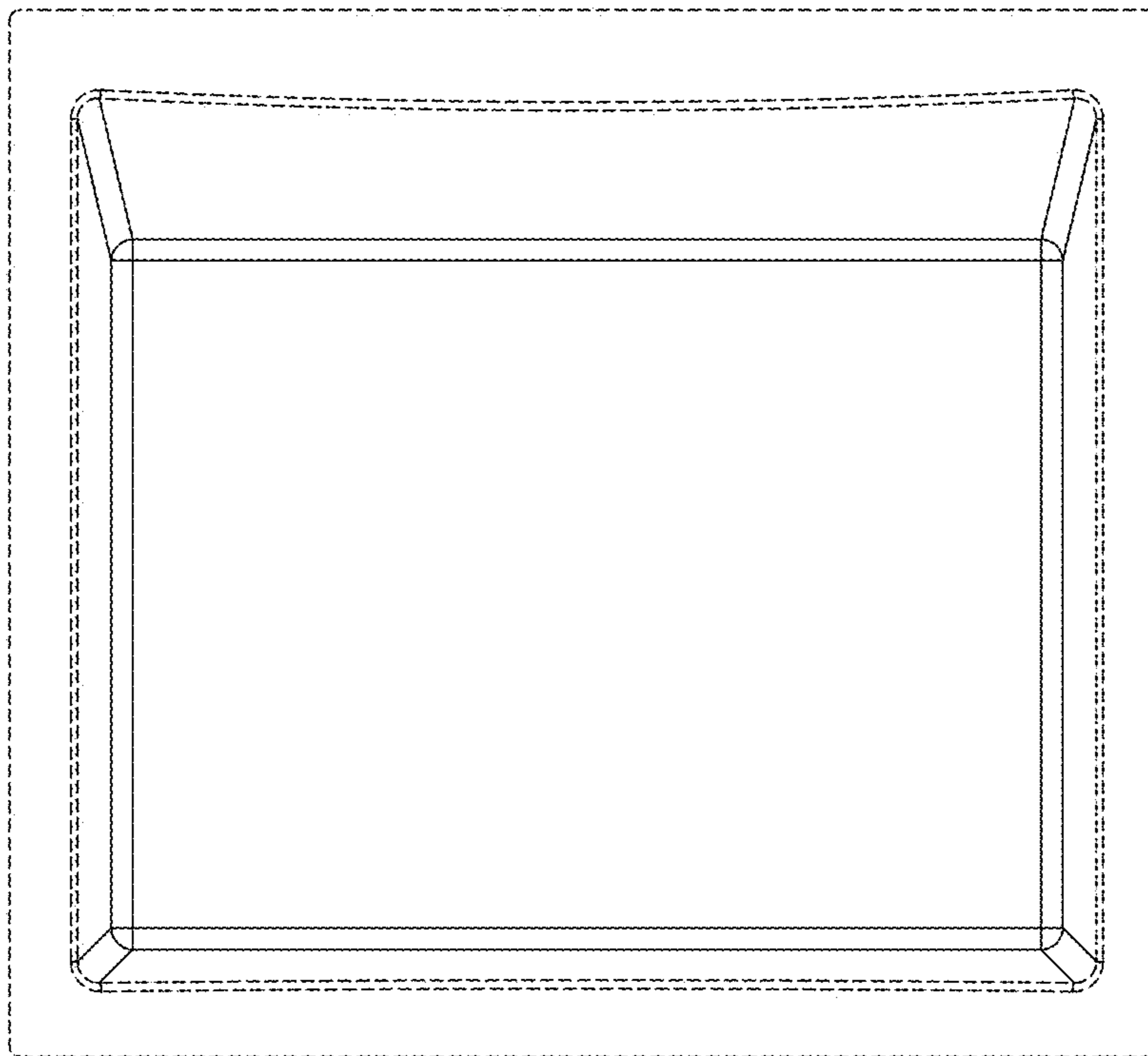


FIG. 3

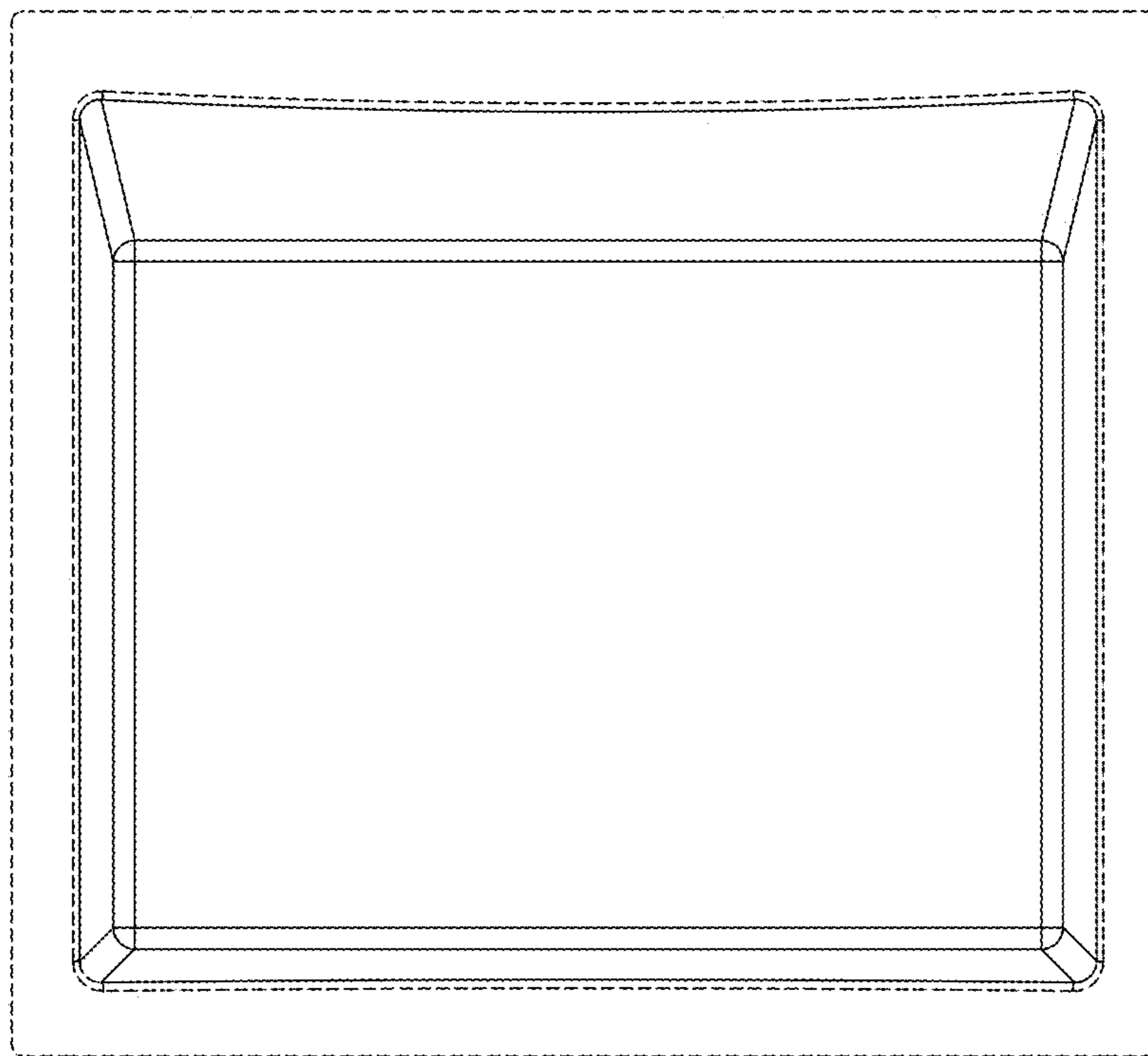


FIG. 4

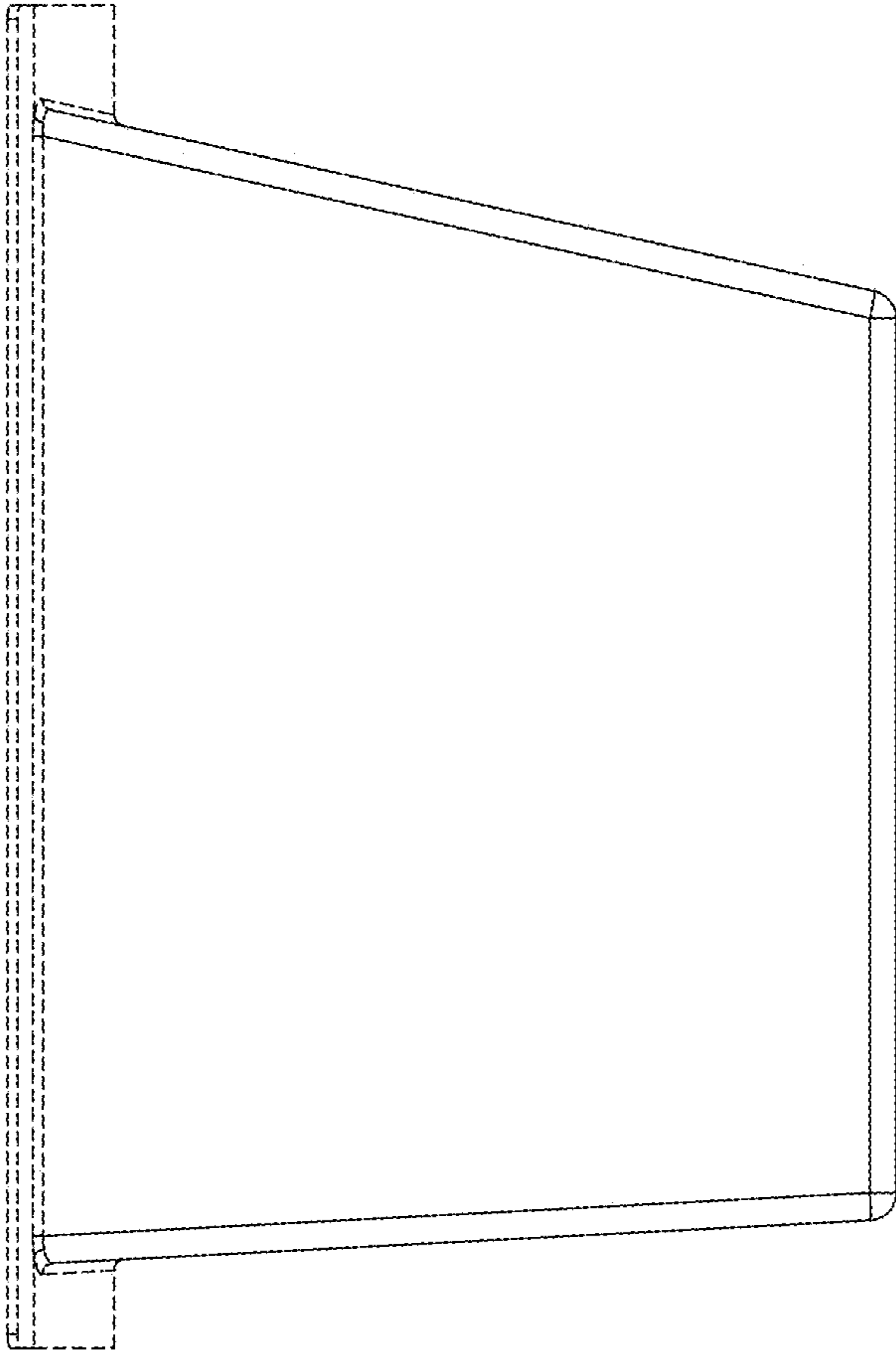


FIG. 5

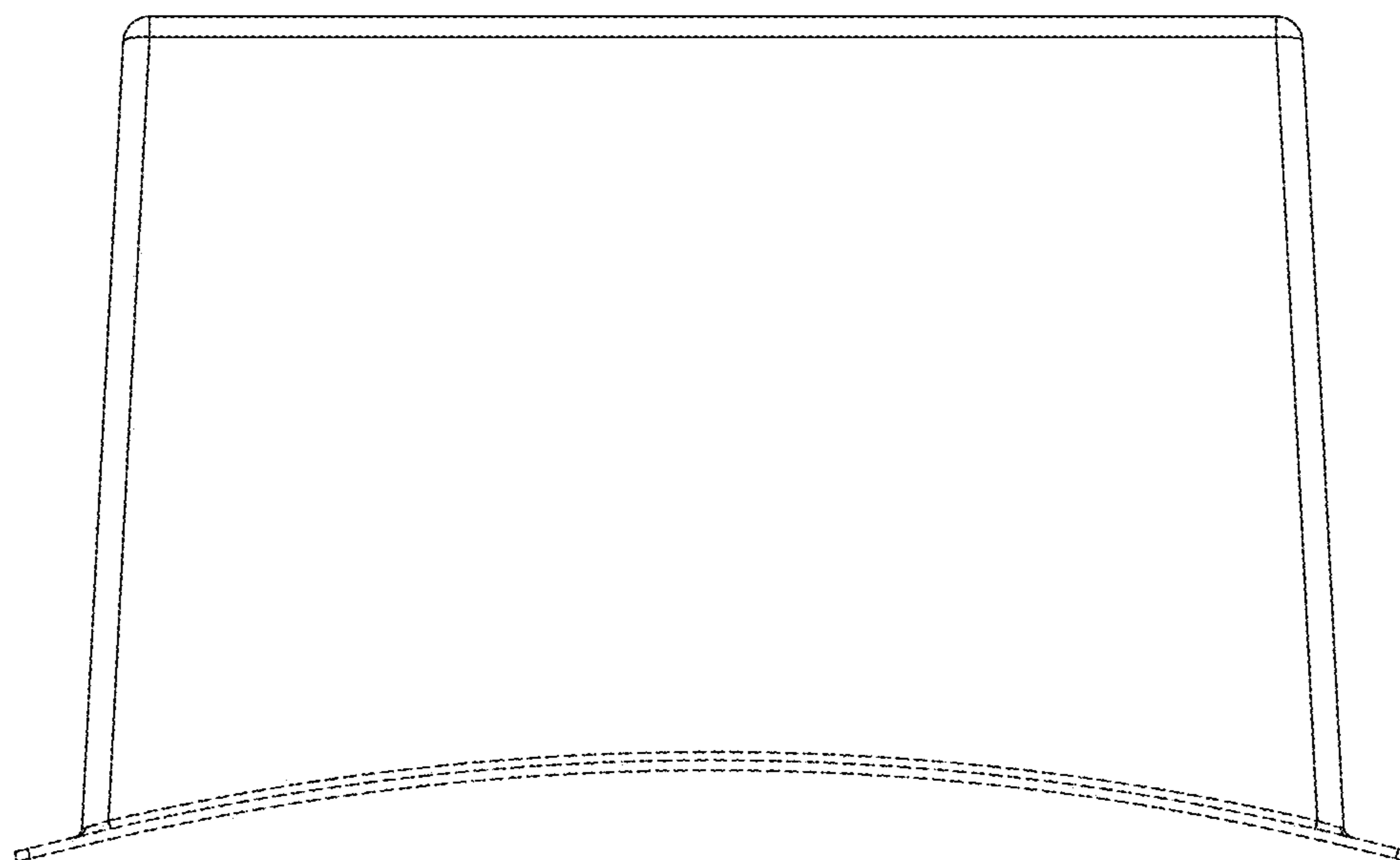


FIG. 6

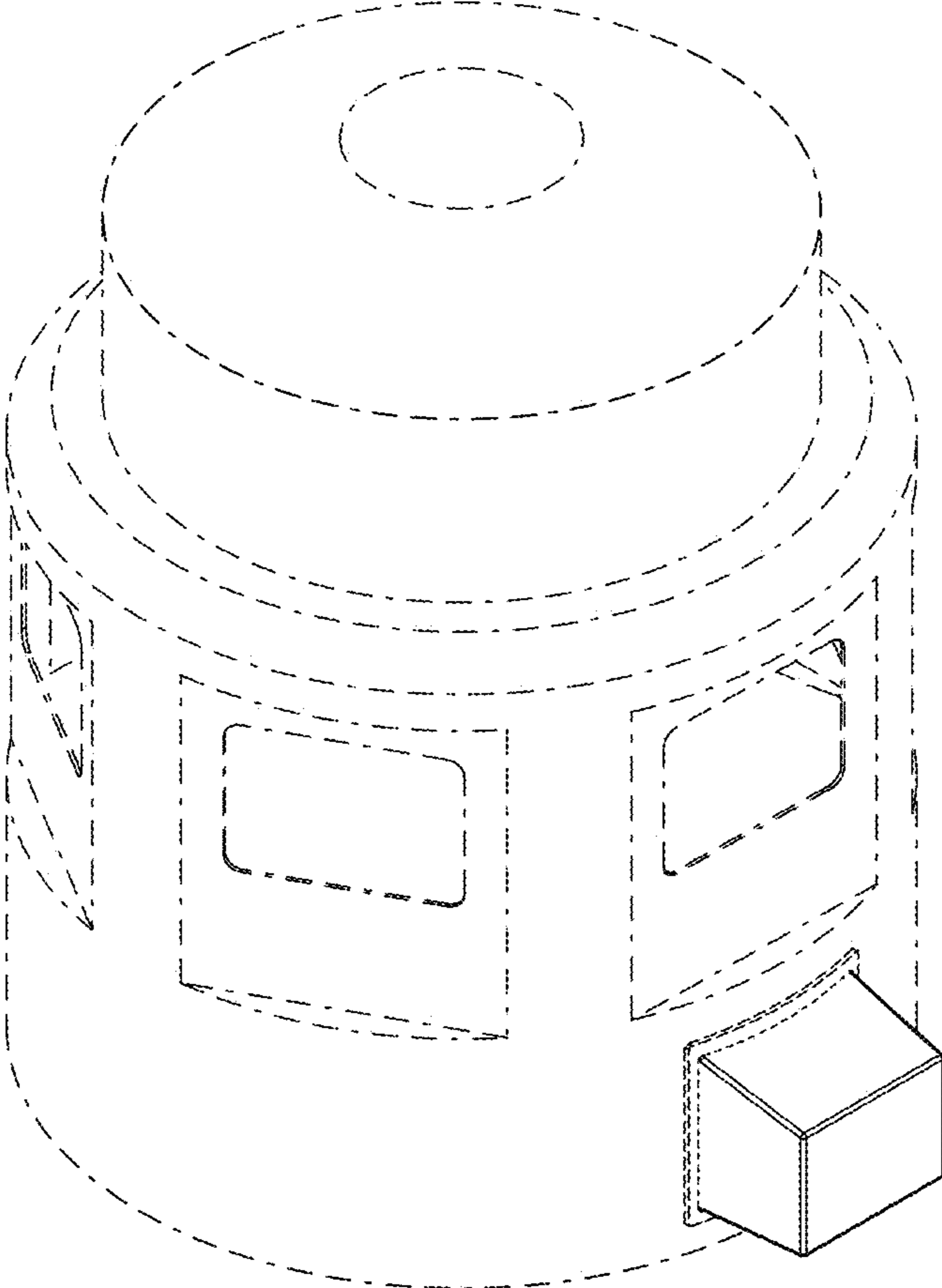


FIG. 7