



US00D978308S

(12) **United States Design Patent** (10) **Patent No.:** **US D978,308 S**
Barlettano (45) **Date of Patent:** **** Feb. 14, 2023**

(54) **PERSONAL AIR COOLER**

4,016,835 A 4/1977 Yarden et al.
D279,815 S 7/1985 Yuen
D282,101 S 1/1986 Yuen

(71) Applicant: **Ontel Products Corporation**, Fairfield, NJ (US)

(Continued)

(72) Inventor: **Scott Barlettano**, Wayne, NJ (US)

FOREIGN PATENT DOCUMENTS

(73) Assignee: **Ontel Products Corporation**, Fairfield, NJ (US)

CA 2624807 A1 9/2009
CN 3589286 S 12/2006

(Continued)

(**) Term: **15 Years**

OTHER PUBLICATIONS

(21) Appl. No.: **29/853,916**

(22) Filed: **Sep. 20, 2022**

Costway Evaporative Cooler—Oscillating Air Cooler with LED Display—Remote Control—125 Square Foot Cooling, 8-Hour Timing Function, for Home & Office, Cooling & Humidification Function (41-Inch), <https://www.amazon.com/dp/B07XNTDGLD>, accessed May 29, 2020.

(Continued)

Related U.S. Application Data

(63) Continuation of application No. 29/777,268, filed on Apr. 5, 2021, now Pat. No. Des. 967,363.

(51) **LOC (14) Cl.** **23-04**

(52) **U.S. Cl.**
USPC **D23/333**

(58) **Field of Classification Search**
USPC D23/333, 351–354, 388
CPC F24F 1/00; F24F 1/0007; F24F 1/02; F24F 1/08; F24F 1/42; F24F 1/56; F24F 1/60; F24F 3/044; F24F 3/048; F24F 3/16; G05D 23/1905; G05D 23/1932; G05D 23/1902; G05D 23/1931; G05B 19/0426; G05B 19/409; G05B 15/02

See application file for complete search history.

(56) **References Cited**

U.S. PATENT DOCUMENTS

D185,748 S 7/1959 Goettl
D188,357 S 7/1960 Klotz
3,176,117 A 3/1965 Knoll

Primary Examiner — Natasha Vujcic

(74) *Attorney, Agent, or Firm* — Dickinson Wright PLLC

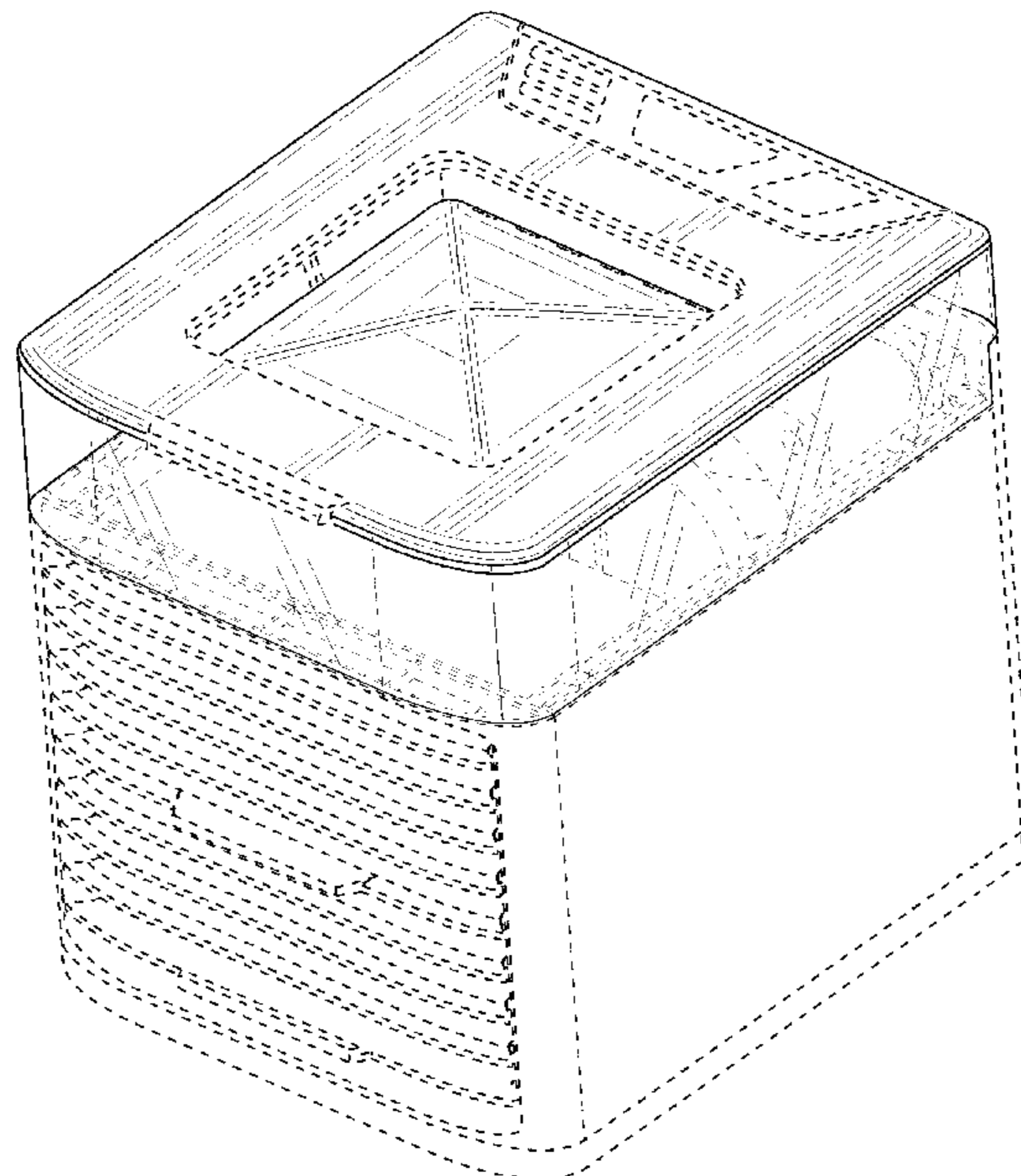
(57) **CLAIM**

I claim the ornamental design for a personal air cooler, as shown and described.

DESCRIPTION

FIG. 1 is a top-side perspective view of a personal air cooler; FIG. 2 is a front view of the personal air cooler of FIG. 1; FIG. 3 is a left side view of the personal air cooler of FIG. 1; FIG. 4 is a right side view of the personal air cooler of FIG. 1; FIG. 5 is a rear view of the personal air cooler of FIG. 1; FIG. 6 is a top view of the personal air cooler of FIG. 1; and, FIG. 7 is a bottom view of the personal air cooler of FIG. 1. The broken lines in the drawings illustrate portions of the personal air cooler that form no part of the claimed design.

1 Claim, 7 Drawing Sheets



(56)

References Cited

U.S. PATENT DOCUMENTS

D282,102 S	1/1986	Yuen	CN	301635055 S	3/2011
D291,350 S	8/1987	Sherman	CN	202032693 U	11/2011
4,835,982 A	6/1989	Ferdows	CN	301743975 S	11/2011
D313,069 S	12/1990	McCormick	CN	202470270 U	10/2012
4,977,755 A	12/1990	Tulley	CN	302405864 S	4/2013
D319,498 S	6/1991	Huang	CN	302782479 S	4/2014
D323,874 S	2/1992	Hirman	CN	302809630 S	4/2014
5,162,088 A	11/1992	Peng et al.	CN	302809632 S	4/2014
5,309,726 A	5/1994	Asbridge	CN	203848426 U	9/2014
D361,828 S	8/1995	Chen	CN	303013053 S	11/2014
D367,525 S	2/1996	Gruebel	CN	303321645 S	8/2015
D376,418 S	12/1996	Wang	CN	106091220 A	11/2016
D384,407 S	9/1997	Yamada	CN	304047506 S	2/2017
D402,745 S	12/1998	Termeer et al.	CN	304206641 S	7/2017
D402,746 S	12/1998	Clark et al.	CN	304229250 S	8/2017
D414,253 S	9/1999	Kobayashi	CN	304232931 S	8/2017
D416,993 S	11/1999	Dong et al.	CN	304275843 S	9/2017
6,098,895 A	8/2000	Walzel et al.	CN	107327992 A	11/2017
D433,111 S	10/2000	Wright	CN	304409176 S	12/2017
6,155,782 A	12/2000	Hsu	CN	206905164 U	1/2018
D448,071 S	9/2001	Birdsell et al.	CN	207262610 U	4/2018
6,293,121 B1	9/2001	Labrador	CN	304589588 S	4/2018
D453,558 S	2/2002	Segawa et al.	CN	304594138 S	4/2018
D468,005 S	12/2002	Bailey	CN	304607851 S	5/2018
6,581,402 B2	6/2003	Maisotsenko et al.	CN	304607887 S	5/2018
D516,689 S	3/2006	Salmon et al.	CN	207527751 U	6/2018
D536,780 S	2/2007	Lerche et al.	CN	207975768 U	10/2018
D543,614 S	5/2007	Chen	CN	304870145 S	10/2018
D570,464 S *	6/2008	Normark D23/364	CN	108826551 A	11/2018
7,698,906 B2	4/2010	Jarvis	CN	208042402 U	11/2018
D616,080 S	5/2010	Ching	CN	304934939 S	12/2018
D621,026 S	8/2010	Peterson et al.	CN	304947235 S	12/2018
7,997,565 B1	8/2011	Chan	CN	305072142 S	3/2019
D688,362 S *	8/2013	Thomas D23/356	CN	305218131 S	6/2019
D691,250 S	10/2013	Chan	CN	305223717 S	6/2019
D731,633 S	6/2015	Farone et al.	CN	305281766 S	7/2019
D769,431 S	10/2016	Lopez	CN	305292866 S	8/2019
D788,279 S	5/2017	Lee	CN	305382546 S	10/2019
D791,290 S	7/2017	Shapiro	CN	209639184 U	11/2019
D804,001 S *	11/2017	Cartwright D23/355	CN	209689113 U	11/2019
10,006,648 B2	6/2018	Vandermeulen et al.	CN	305448417 S	11/2019
D827,115 S *	8/2018	Petersen D23/333	CN	305474029 S	12/2019
D837,355 S *	1/2019	Gunnefur D23/364	CN	305612741 S	2/2020
D841,795 S	2/2019	Chen	CN	305612750 S	2/2020
D848,593 S *	5/2019	Exley D23/351	CN	305627369 S	2/2020
D849,220 S	5/2019	Fang	CN	305627370 S	2/2020
D850,593 S *	6/2019	Petersen D23/333	CN	305672142 S	3/2020
D852,340 S	6/2019	Barlettano	CN	210290192 U	4/2020
D863,524 S *	10/2019	Shin D23/364	CN	210425370 U	4/2020
D875,235 S	2/2020	Coleman et al.	CN	305708993 S	4/2020
10,712,029 B1	7/2020	Barlettano	CN	306072989 S	9/2020
D896,936 S	9/2020	Ou	CN	306107691 S	10/2020
D900,986 S *	11/2020	Chan D23/335	CN	306316183 S	2/2021
D933,180 S *	10/2021	Chen D23/333	CN	306360588 S	3/2021
D947,246 S *	3/2022	Armour D15/7	CN	306414462 S	3/2021
D963,135 S *	9/2022	Barlettano D23/333	CN	306916981 S	11/2021
D966,475 S *	10/2022	Barlettano D23/333	CN	307246435 S	4/2022
D967,363 S *	10/2022	Barlettano D23/333	CN	307246436 S	4/2022
2009/0211291 A1	8/2009	Gildersleeve et al.	EM	216667877 U	6/2022
2014/0260402 A1	9/2014	Varma	EP	216844922 U	6/2022
2015/0247644 A1	9/2015	Stearns	EP	216976984 U	7/2022
2017/0138650 A1	5/2017	Eiserer	GB	217274586 U	8/2022
2019/0226696 A1	7/2019	Kim et al.	JP	008060883-0002	8/2020
2020/0217527 A1 *	7/2020	Barlettano F24F 6/04	JP	661504 A1	7/1995
2020/0300531 A1 *	9/2020	Barlettano F24F 13/16	JP	0017127704-0001	6/2010
2020/0326081 A1	10/2020	Barlettano	JP	2420083 A	5/2006
2021/0148584 A1	5/2021	Barlettano	JP	D1258427 S	12/2005
2022/0268459 A1 *	8/2022	Barlettano F24F 5/0035	JP	1374275	11/2009
2022/0299216 A1 *	9/2022	Barlettano F24F 5/0035	JP	1388861	5/2010
			JP	D1671987 S	10/2020
			JP	D1712333 S	4/2022
			KR	100543336 B1	12/1899
			KR	30-0309259	10/2002
			KR	30-0309260	10/2002
			KR	20030097047 A	12/2003
			KR	30602966-1	6/2013
			KR	30-0764177	10/2014
			KR	30-0765886	10/2014
			KR	20160083171 A	7/2016

FOREIGN PATENT DOCUMENTS

CN	3643876 S	5/2007
CN	201331225 Y	10/2009
CN	301559760 S	11/2010

(56)

References Cited

FOREIGN PATENT DOCUMENTS

KR	30-0974277-0001		9/2018
TW	490518	U	11/2014
WO	9513506	A1	5/1995
WO	03074945	A1	9/2003
WO	2005073642	A1	8/2005
WO	2018058132	A1	3/2018

OTHER PUBLICATIONS

GLmblllo Baby Stroller Mini Fan, https://www.amazon.com/GLmblllo-Stroller-Portable-Cooler-Child/dp/B07V6R2DC8/ref=sr_1_2?keywords=portable+evaporative+cooler+stroller&qid=1578343377&sr=8-2, retrieved Mar. 26, 2020.

European Search Report; Appl. No. 19154738.9, Aug. 29, 2019; 4 pages.

Filter for Personal Space Cooler, Arctic Air Cooler Replacement Filler Humidifier, www.amazon.com/dp/B07DGWMSH6/, retrieved Oct. 31, 2018.

NewAir AF-310 Portable Evaporative Air Fan and Humidifier. Personal Indoor Outdoor Swamp Cooler, <https://www.amazon.com/NewAir-Portable-Evaporative-Humidifier-AF-310/dp/B009KGB4FK/>, accessed on May 29, 2020.

Luma Comfort EC45S Tower Evaporative Cooler with 125 Square Foot Cooling, 250 CFM, <https://www.amazon.com/Luma-Comfort-EC45S-Evaporative-Cooling/dp/B007SNQ4FM/>, accessed on May 29, 2020.

Luonita Portable Air Conditioner, <https://www.amazon.com/Luonita-Portable-Conditioner-Humidifier-Evaporative/dp/B07TXZ57XR/>, retrieved Mar. 26, 2020.

Global Sources Home Products, No. 10, vol. 8, p. 11, Docket No. HB26005377: Design Division of the Japan Patent Office; Nov. 27, 2014.

GDSTIME EC Cooling Fan, www.amazon.com/dp/B07H8W376G, retrieved Nov. 7, 2018.

Ontel AA-MC4 Arctic Air Personal Space & Portable Cooler | The Quick & Easy Way to Cool Any Space, As Seen on TV, www.amazon.com/AA-MC4-Arctic-Personal-Portable-Cooler/dp/B0787DD3RX, retrieved Oct. 31, 2018.

Evapolar Air Cooler evaSMART EV-3000 Opaque White US Plug, www.amazon.com/dp/B075G1HBNW, retrieved Oct. 31, 2018.

Evapolar EV1000CART Replacement Evaporative Cartridge for EV-1000 evaLIGHT Personal Air Cooler and Humidifier, www.amazon.com/Evapolar-EV1000CART-Replacement-Evaporative-Humidifier/dp/B06XT5B742, Retrieved Oct. 31, 2018.

HoMedics MyChill Personal Space Cooler in Blue, www.amazon.com/HoMedics-MyChill-Personal-Space-Cooler/dp/B075564HQZ, retrieved Oct. 31, 2018.

Ontel Arctic Air Personal Space Cooler Replacement Filler Authentic OEM, www.amazon.com/dp/B07DQ6DXXC/, retrieved Oct. 31, 2018.

World's First Personal Air Cooler (EVAPOLAR), www.youtube.com/watch?v=k4NxBWPTqOA, published Aug. 23, 2016.

Domus, vol. 767, Jan. 31, 1995, p. 108, Docket No. HB07009193: Design Division of the Japan Patent Office.

Issuance of Notice of Grant for Japanese Design Application No. 2018-013816.

* cited by examiner

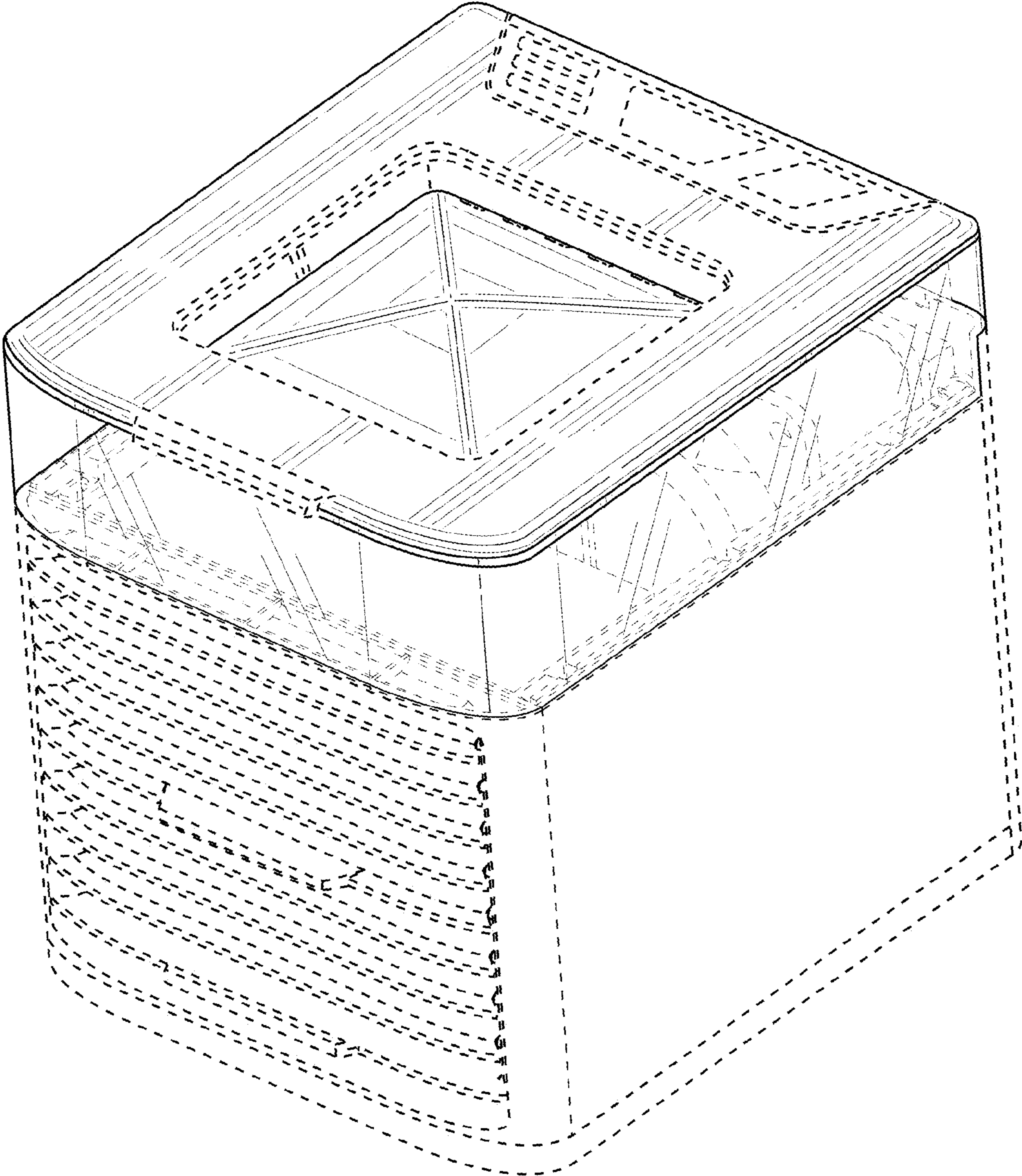


FIG. 1

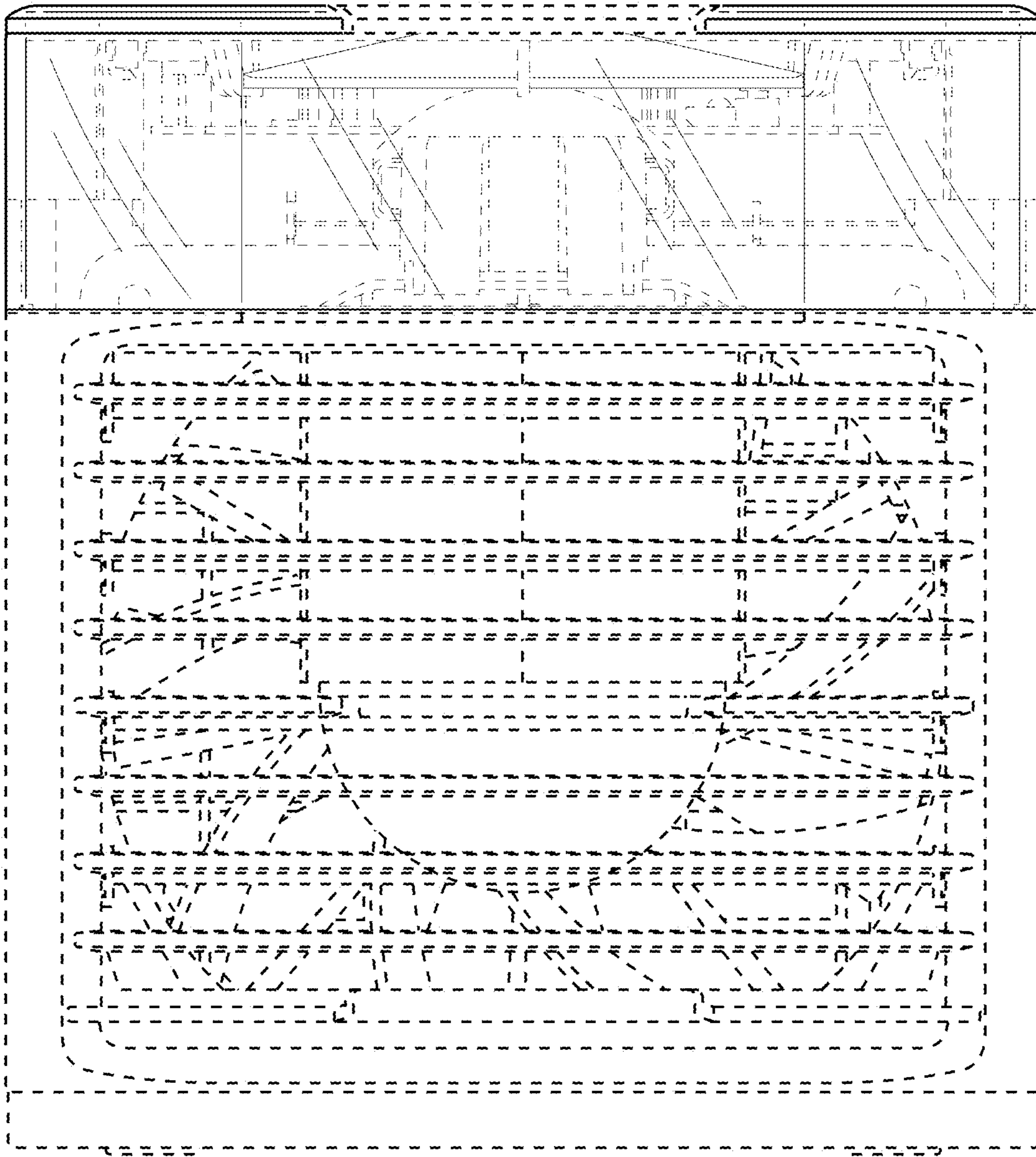


FIG. 2

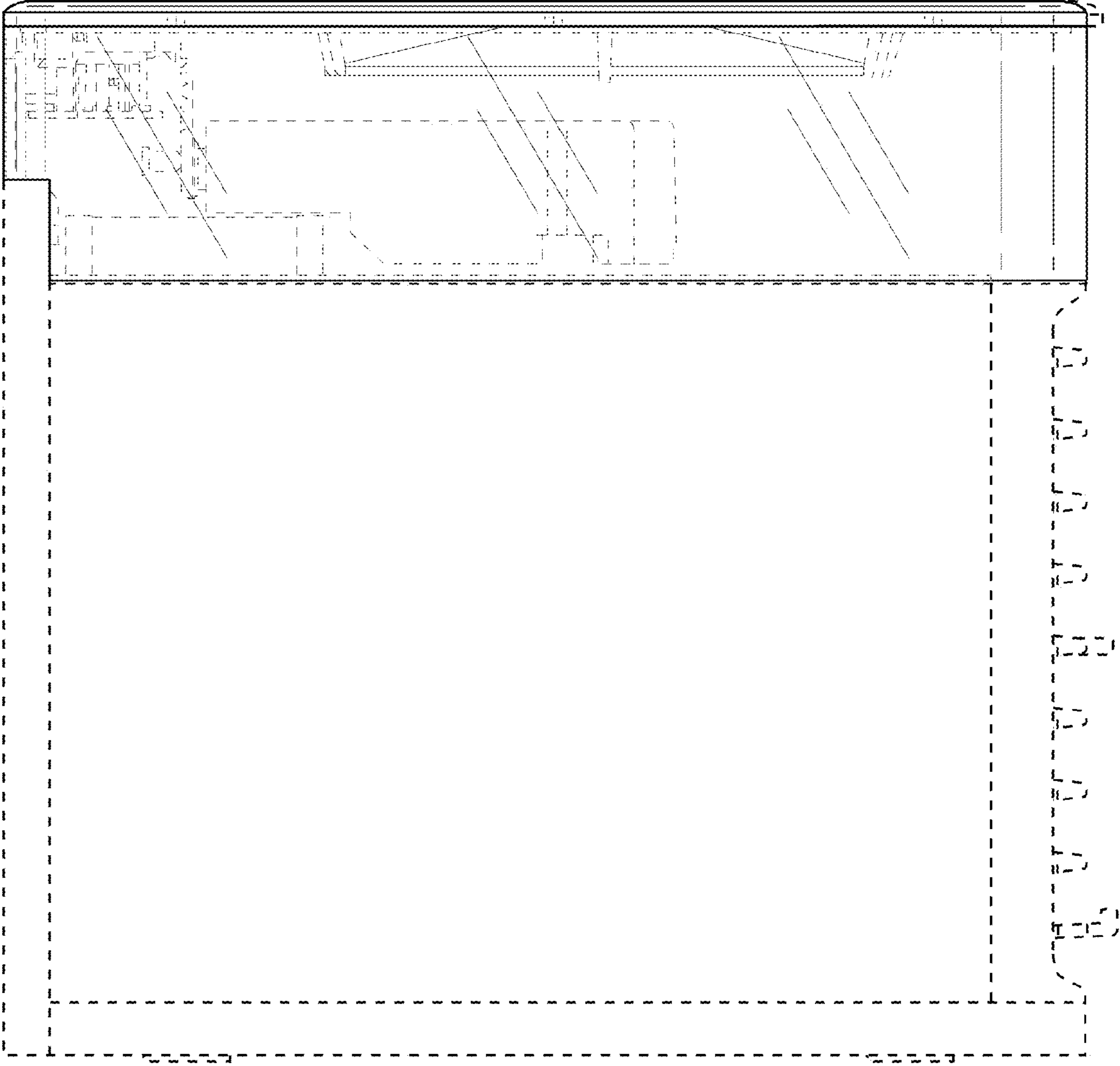


FIG. 3

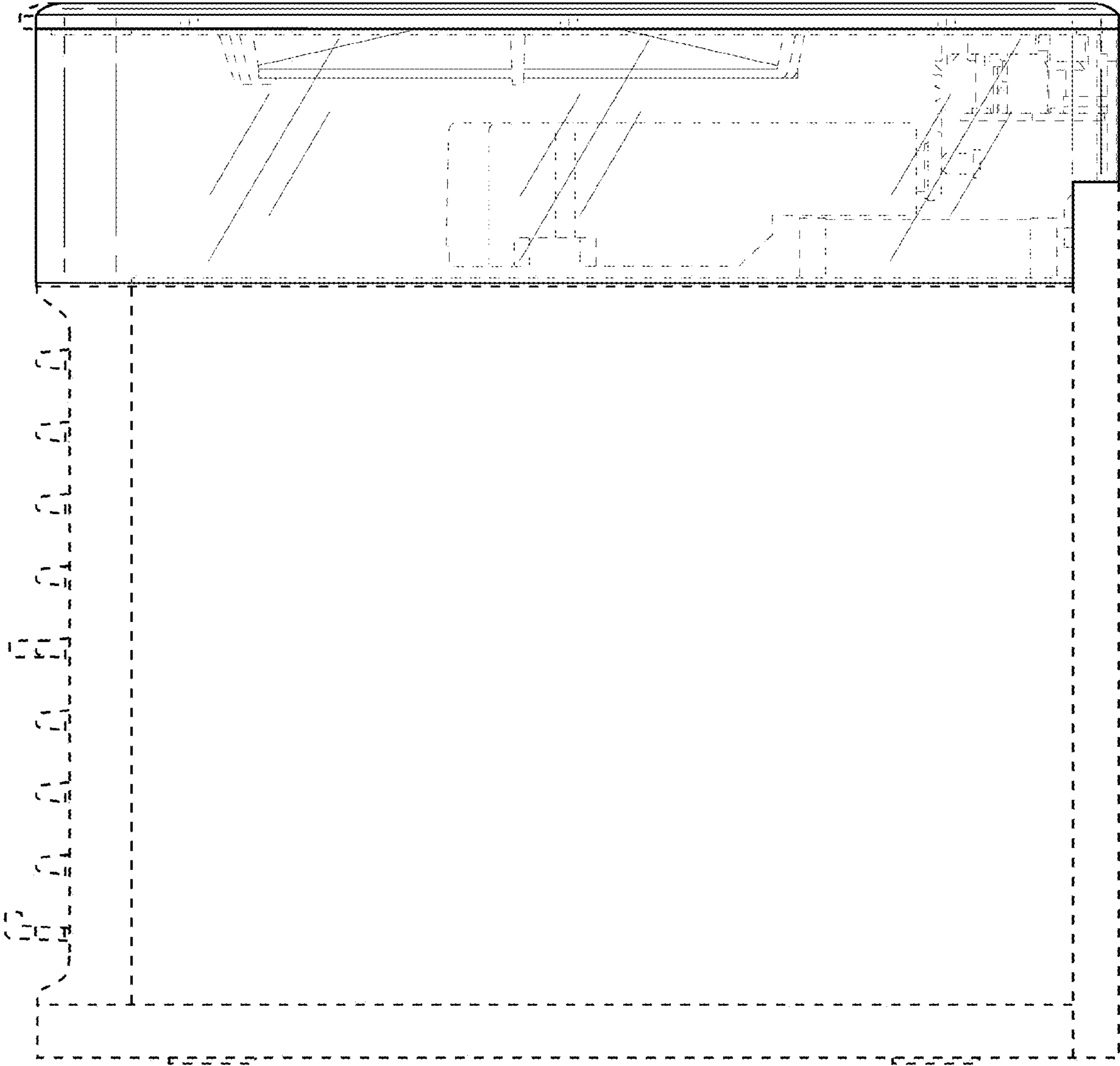


FIG. 4

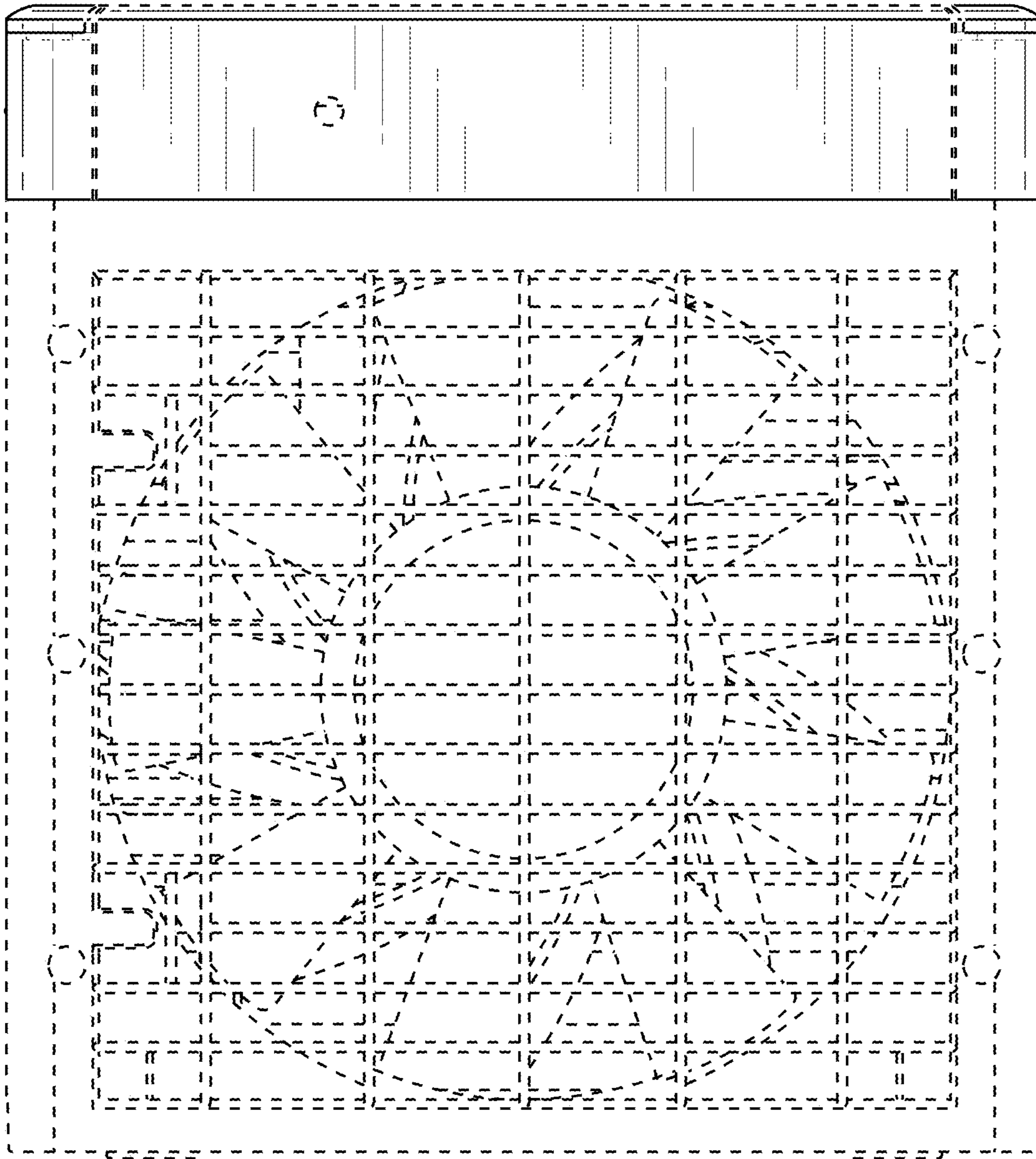


FIG. 5

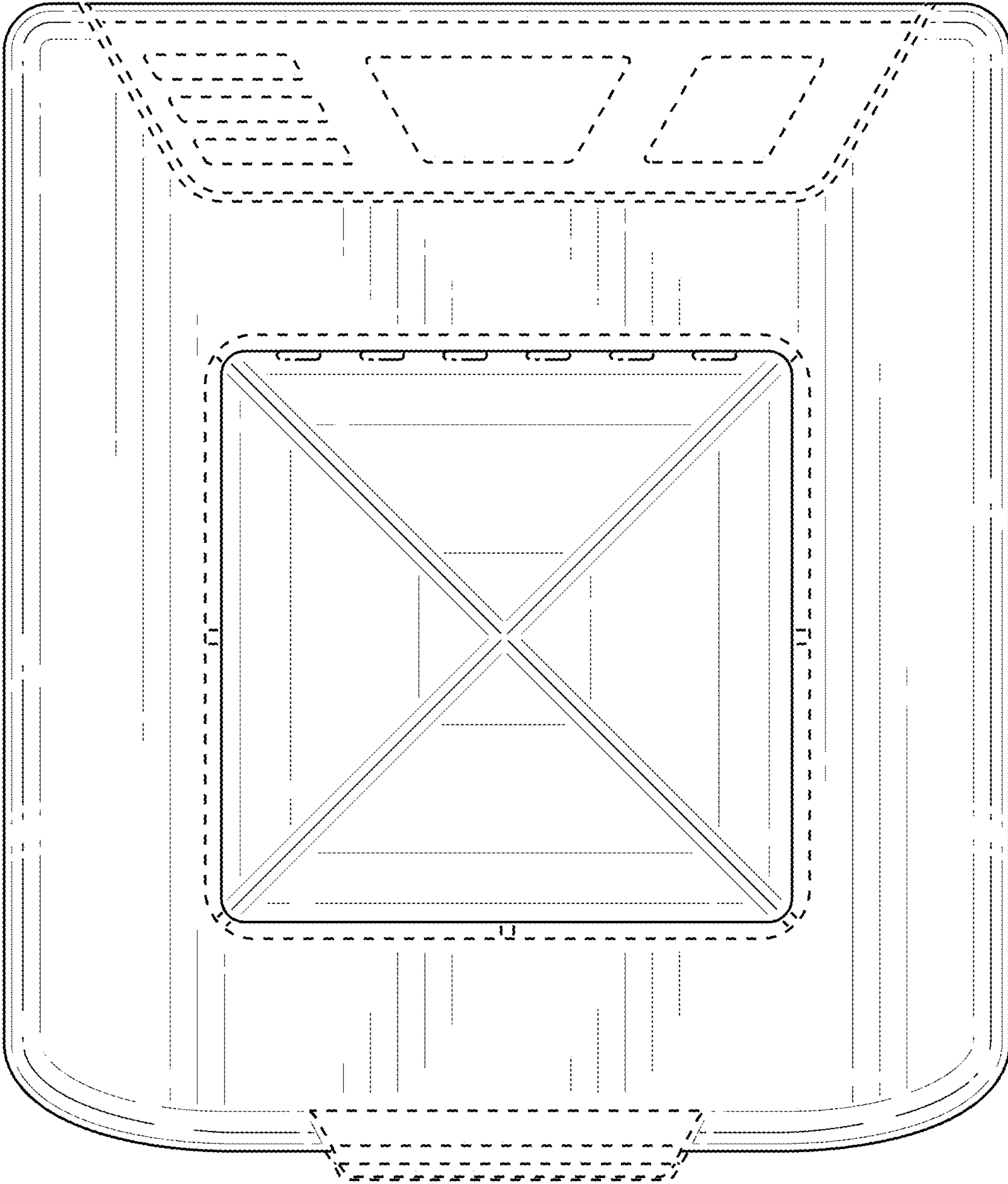


FIG. 6

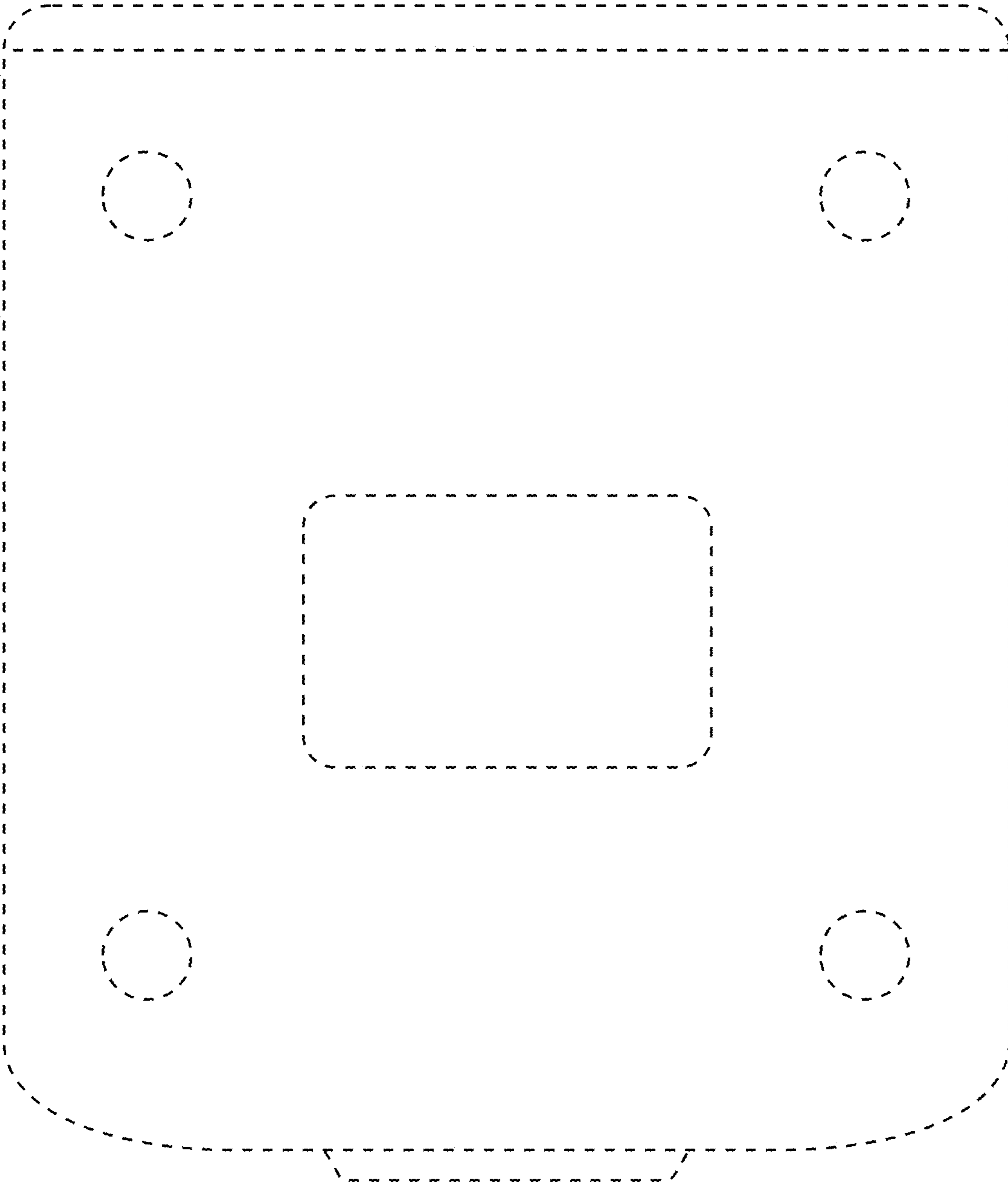


FIG. 7