



US00D978307S

(12) **United States Design Patent**
Lv

(10) **Patent No.:** **US D978,307 S**

(45) **Date of Patent:** **** Feb. 14, 2023**

(54) **MATTRESS PAD HEATER**

(71) Applicant: **JIN MEI LUN TRADING LLC**,
Montebello, CA (US)

(72) Inventor: **Haiyang Lv**, Montebello, CA (US)

(73) Assignee: **JIN MEI LUN TRADING LLC**,
Montebello, CA (US)

(**) Term: **15 Years**

(21) Appl. No.: **29/765,646**

(22) Filed: **Jan. 11, 2021**

(51) **LOC (14) Cl.** **23-03**

(52) **U.S. Cl.**
USPC **D23/333; D23/332; D23/335**

(58) **Field of Classification Search**
USPC D23/213, 269, 314, 317, 318, 336, 341,
D23/499, 335; D13/145, 168, 184
CPC F24H 1/201; F24H 1/202; F24H 3/004;
F24H 9/2021; F24H 1/00; F24H 6/00;
F24H 15/00; F24H 2250/00
See application file for complete search history.

(56) **References Cited**

U.S. PATENT DOCUMENTS

2,565,390	A *	8/1951	Mitnowsky	H05B 3/342 392/407
4,652,726	A *	3/1987	Femino	A47C 21/048 219/217
4,825,047	A *	4/1989	Miles	H01H 37/42 219/217
5,081,339	A *	1/1992	Stine	H05B 3/34 219/217
6,952,852	B2 *	10/2005	Reeder	A61G 7/05776 5/691
D720,063	S *	12/2014	Li	D23/366
D856,501	S *	8/2019	Netkin	D23/366
D862,671	S *	10/2019	Zhou	D23/356
D864,371	S *	10/2019	Chen	D23/366

D865,716	S *	11/2019	Kuang	D14/216
D870,896	S *	12/2019	Komaki	D24/186
D888,924	S *	6/2020	Gobber	D23/366
D910,823	S *	2/2021	Zou	D23/356
D913,475	S *	3/2021	Wu	D23/366
D932,682	S *	10/2021	Chang	D26/106
D945,397	S *	3/2022	Kuang	D14/216

(Continued)

OTHER PUBLICATIONS

“MerryHome Water Heated Mattress Pad Topper Queen, Works with Wireless Remote Control & APP”, <https://www.walmart.com/ip/MerryHome-Water-Heated-Mattress-Pad-Topper-Queen-Works-with-Wireless-Remote-Control-APP/225169129>, first review left Nov. 19, 2020, retrieved from the internet on Jun. 10, 2022 (Year: 2020).*

(Continued)

Primary Examiner — Amy C Wierenga
Assistant Examiner — Andrea Marie McKay
(74) *Attorney, Agent, or Firm* — IPro, PLLC

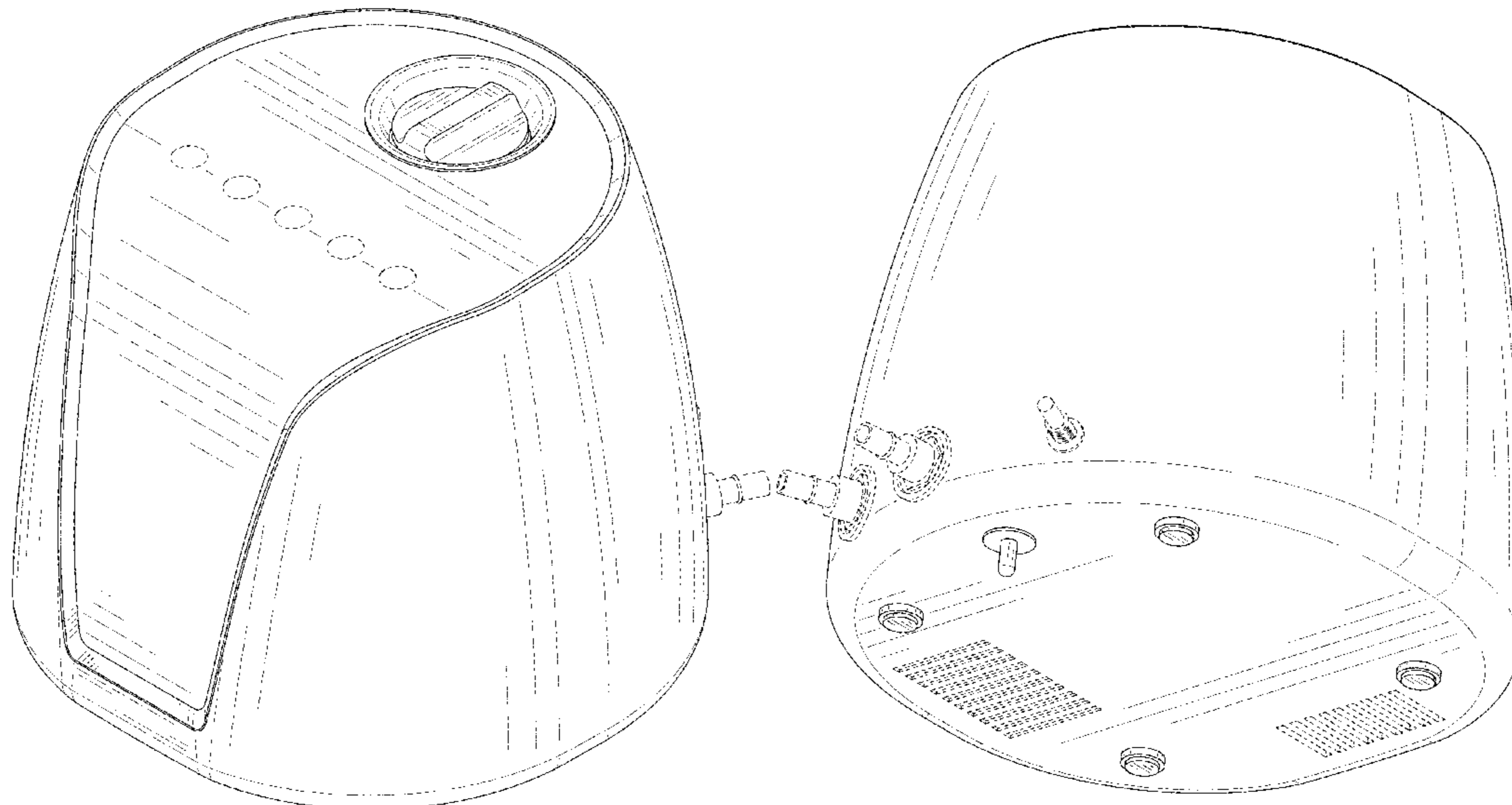
(57) **CLAIM**

The ornamental design for a mattress pad heater, as shown and described.

DESCRIPTION

FIG. 1 is a perspective view of a mattress pad heater showing the new design;
FIG. 2 is a perspective view viewed from another angle thereof;
FIG. 3 is a front elevation view thereof;
FIG. 4 is a rear elevation view thereof;
FIG. 5 is a left side elevation view thereof;
FIG. 6 is a right side elevation view thereof;
FIG. 7 is a top plan view thereof; and,
FIG. 8 is a bottom plan view thereof.
The broken lines in the figures illustrate portions of the mattress pad heater that form no part of the claimed design.

1 Claim, 8 Drawing Sheets



(56)

References Cited

U.S. PATENT DOCUMENTS

D948,687 S * 4/2022 Liu D23/356
D951,231 S * 5/2022 Kuang D14/216

OTHER PUBLICATIONS

Premiered Oct. 7, 2020“Merry Home Water Heated Mattress Pad”,
<https://www.youtube.com/watch?v=B4upPhyveTE>, Premiered Oct.
7, 2020, retrieved from the internet on Jun. 10, 2022 (Year: 2020).*
“Water Heated Mattress Pad Queen, Soft & Comfort Quilted Heated
Mattress Cover with Wireless Remote Control and Timer Auto-Off,
Great for Sleep Enhancement (Queen)”; first review left Nov. 19,
2020, retrieved from the internet on Jun. 10, 2022 (Year: 2022)
[https://www.amazon.com/Mattress-Comfort-Wireless-Auto-Off-
Enhancement/dp/B08L7RHRD7/ref=sr_1_6?crid=12DSD4UAL3T5U
&keywords=merryhome+water](https://www.amazon.com/Mattress-Comfort-Wireless-Auto-Off-Enhancement/dp/B08L7RHRD7/ref=sr_1_6?crid=12DSD4UAL3T5U&keywords=merryhome+water) (Year: 2020).*

* cited by examiner

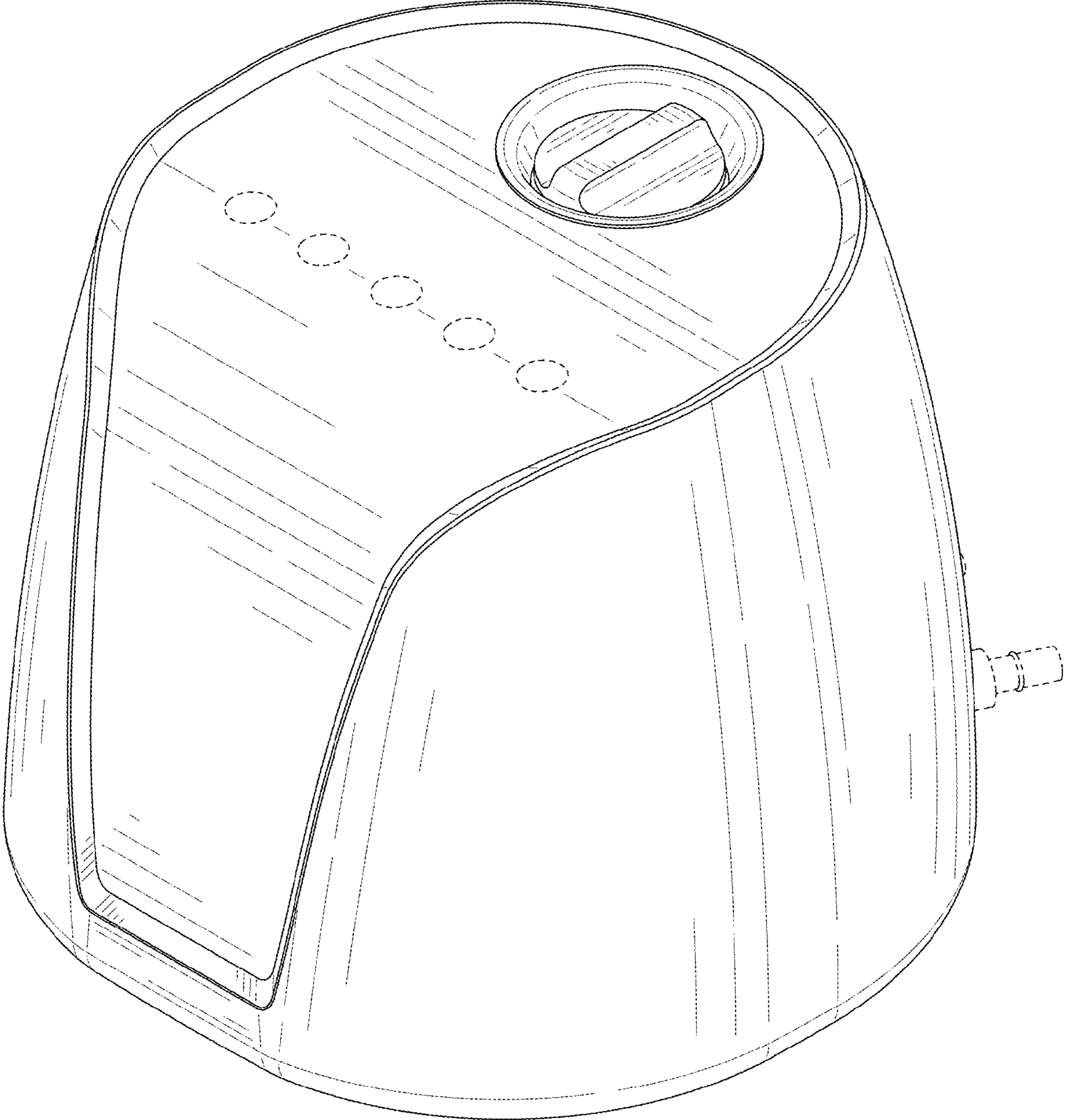


FIG. 1

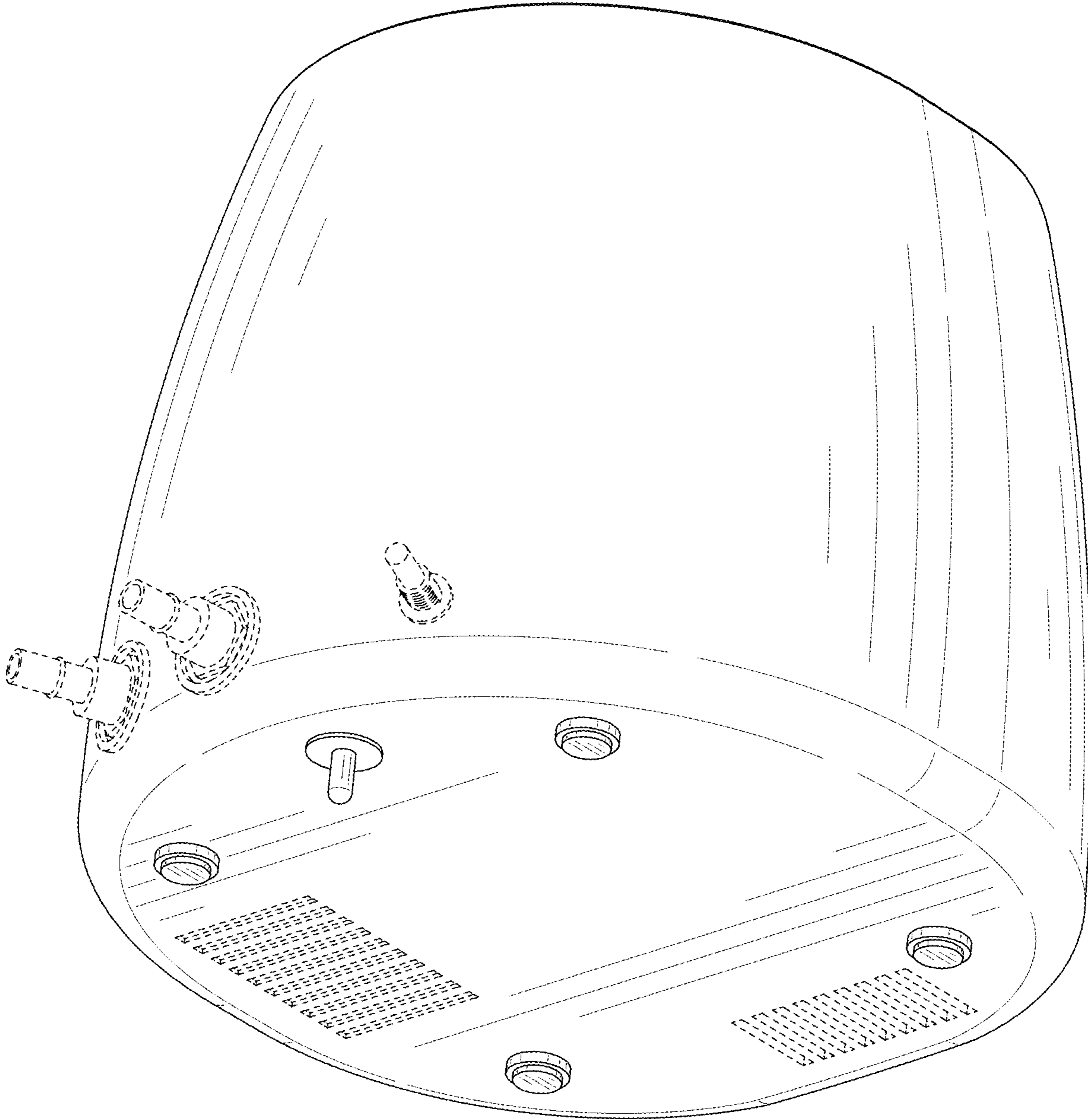


FIG. 2

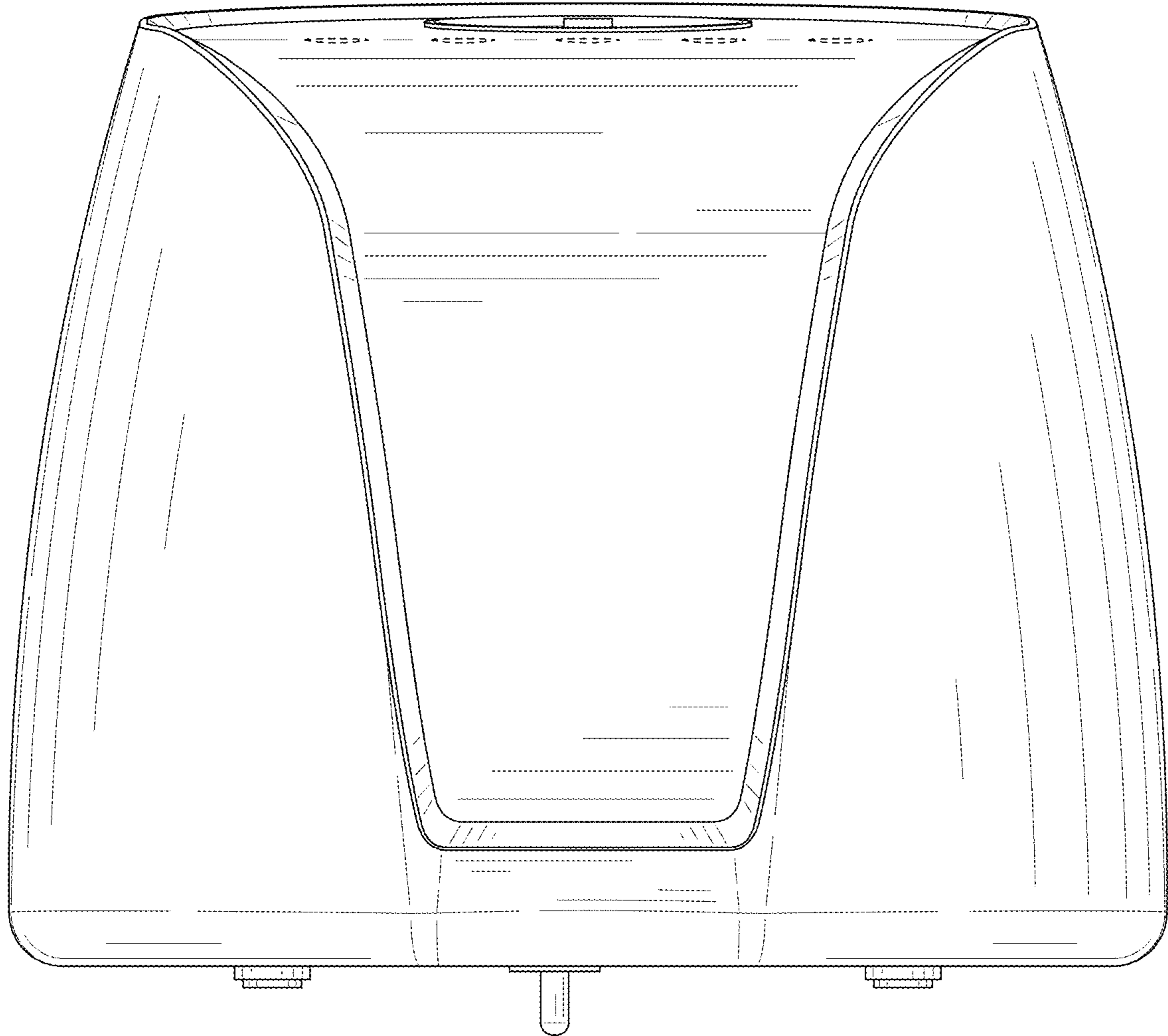


FIG. 3

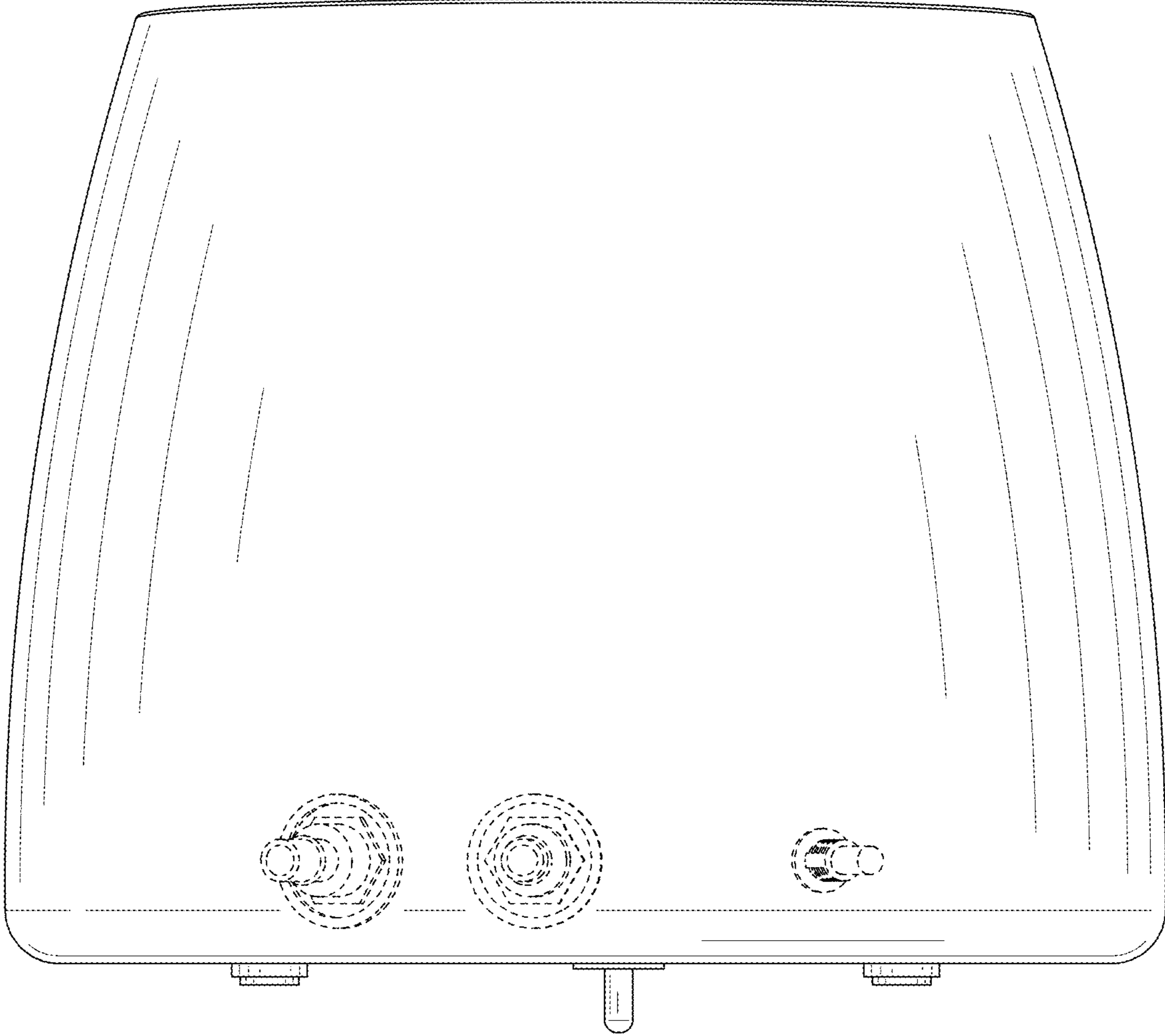


FIG. 4

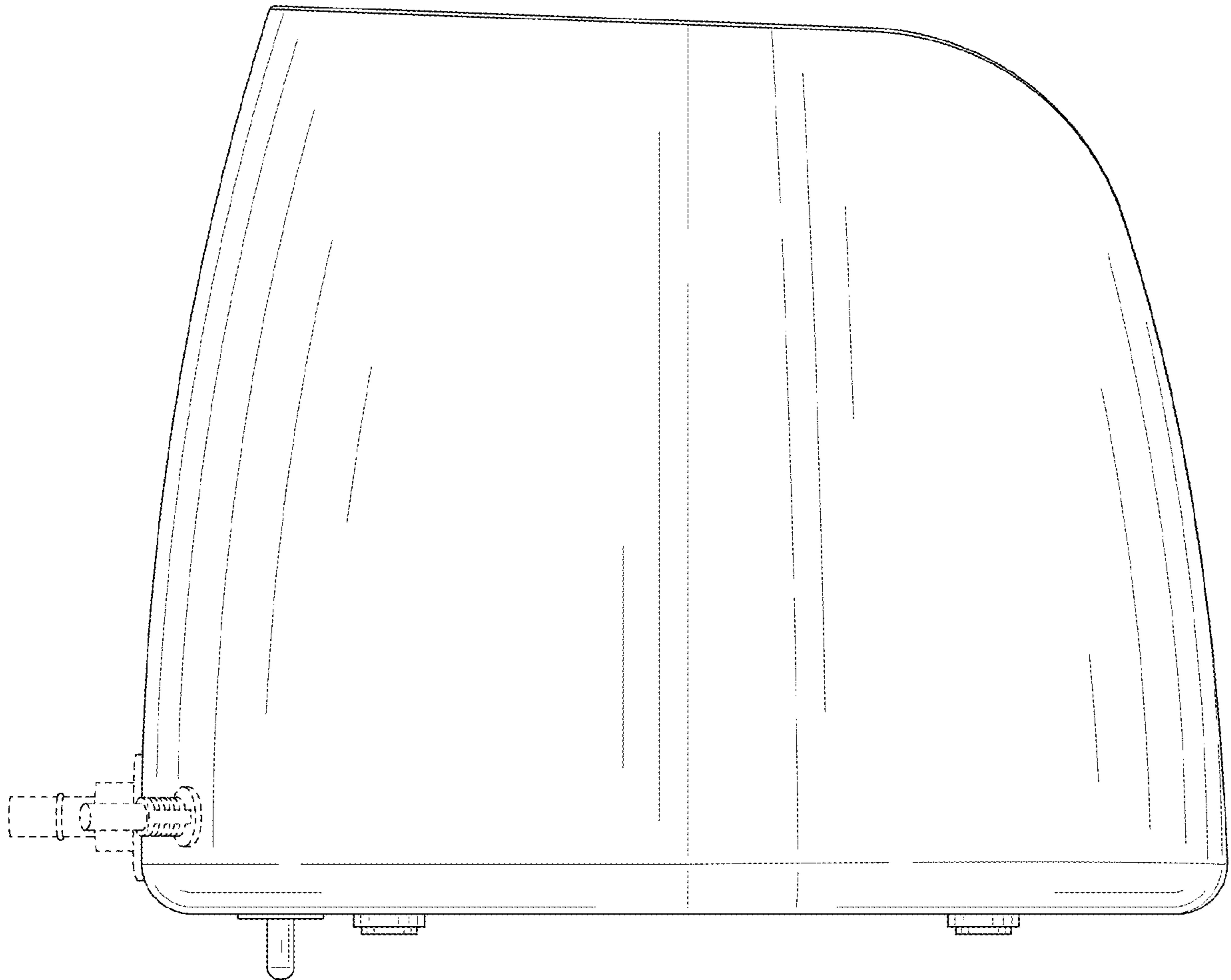


FIG. 5

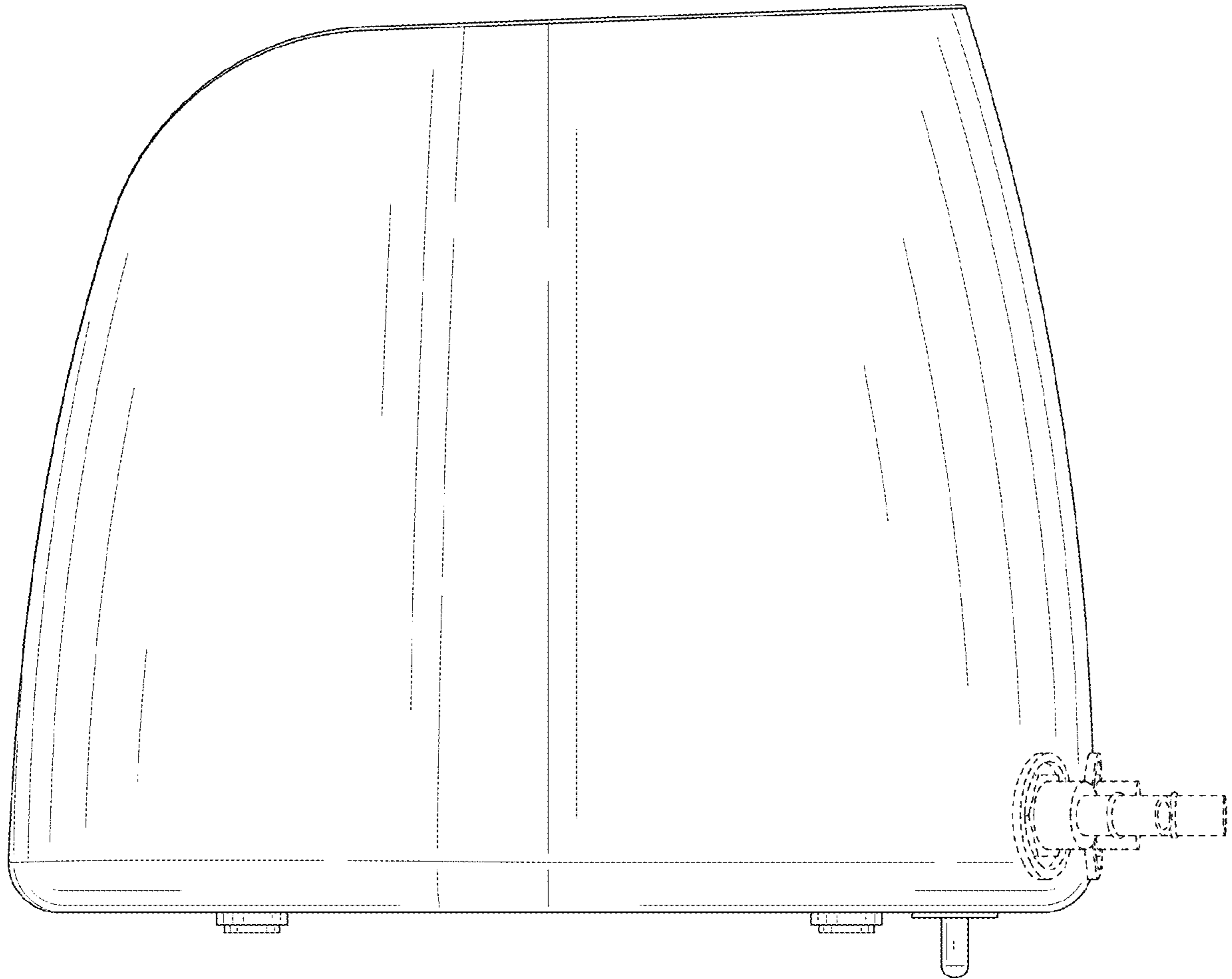


FIG. 6

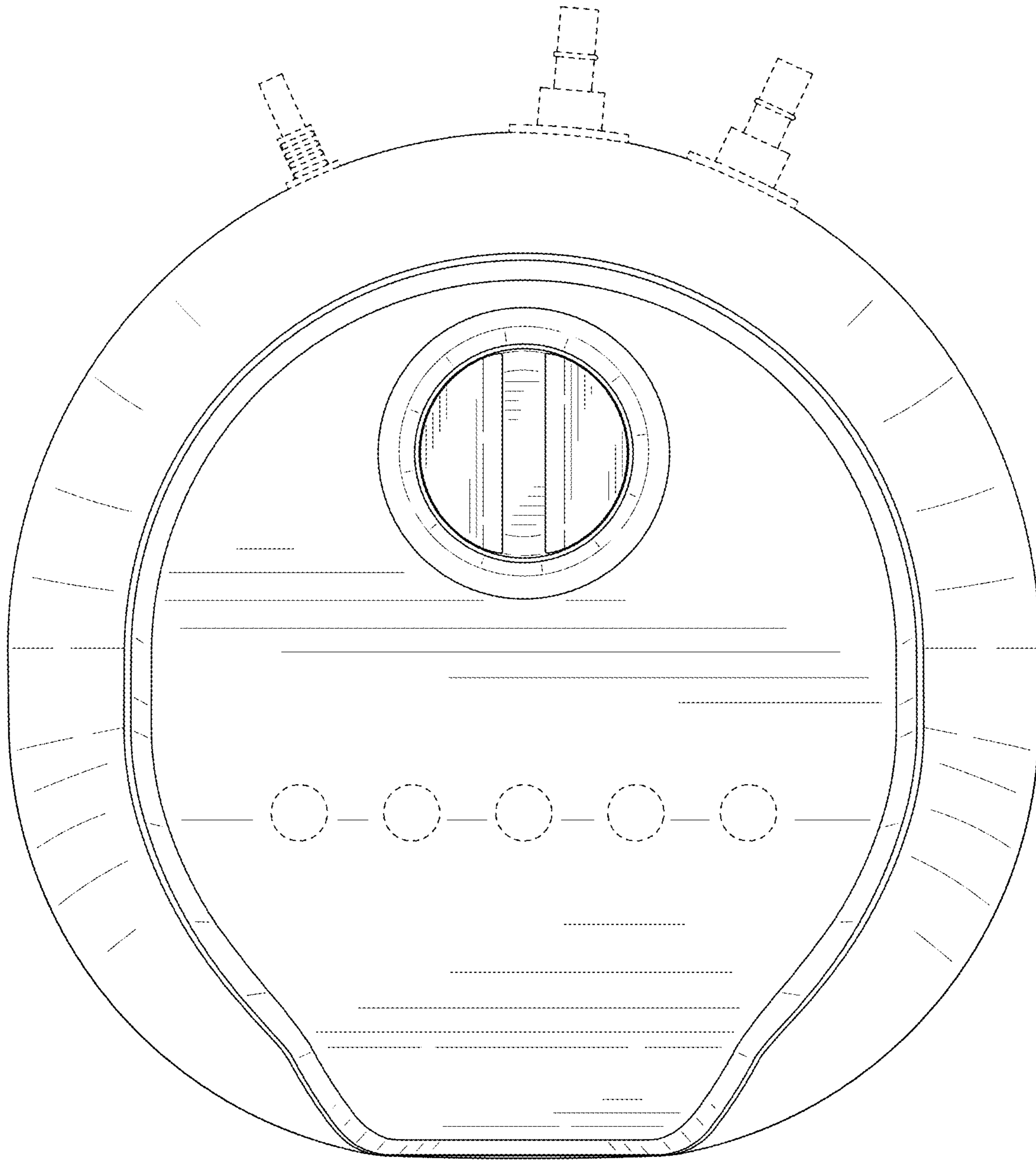


FIG. 7

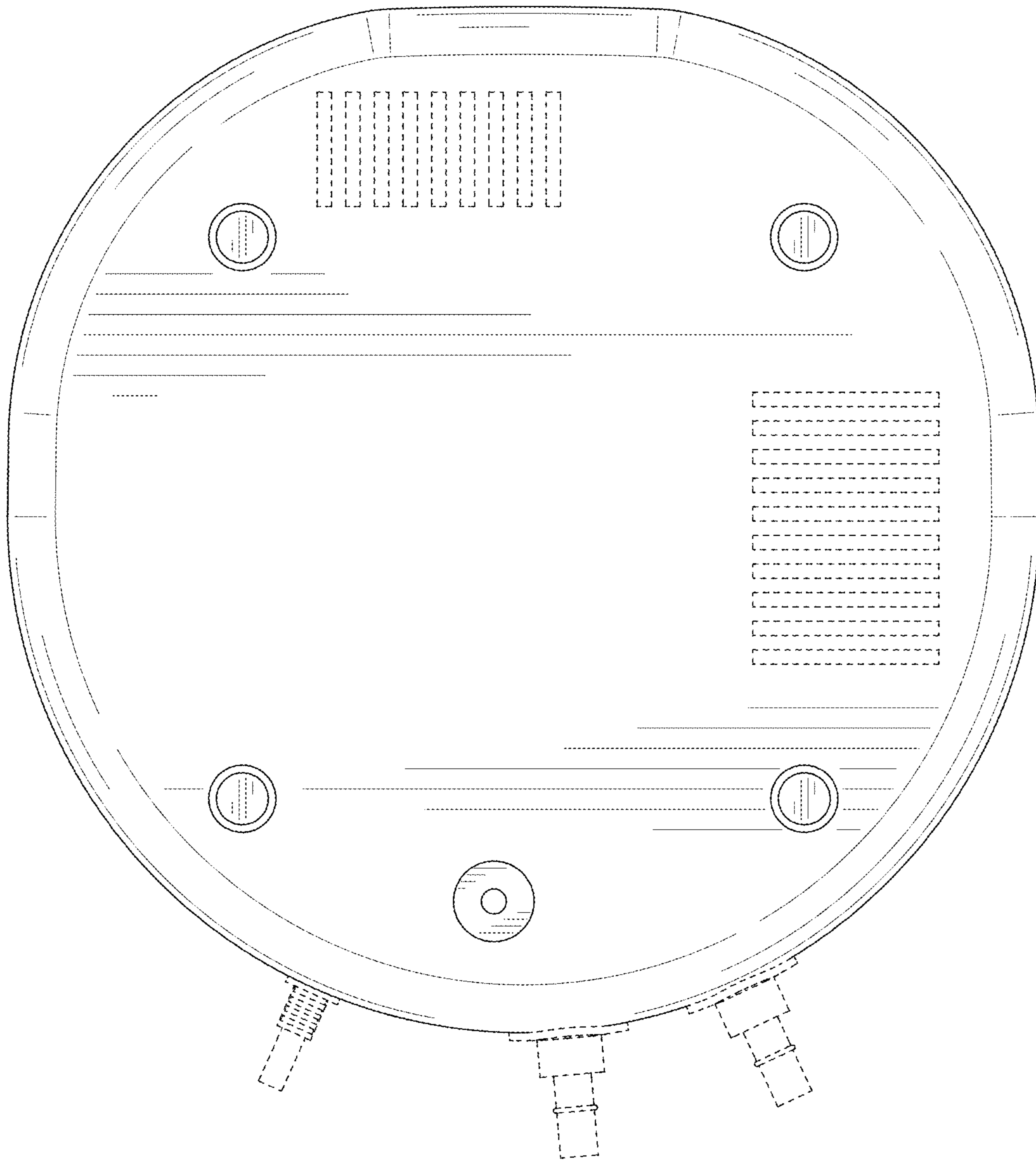


FIG. 8