



US00D978306S

(12) **United States Design Patent** (10) **Patent No.:** **US D978,306 S**
Smith (45) **Date of Patent:** **** Feb. 14, 2023**

(54) **CEILING MOUNT COOLING UNIT FOR A WINE CELLAR HVAC SYSTEM**

(71) Applicant: **AIR INNOVATIONS, INC.**, North Syracuse, NY (US)

(72) Inventor: **Curtis Smith**, Syracuse, NY (US)

(73) Assignee: **Air Innovations, Inc.**, North Syracuse, NY (US)

(**) Term: **15 Years**

(21) Appl. No.: **29/726,237**

(22) Filed: **Mar. 2, 2020**

(51) **LOC (14) Cl.** **23-04**

(52) **U.S. Cl.**
USPC **D23/333**

(58) **Field of Classification Search**
USPC D23/333, 335, 351-367, 388, 397;
D13/11, 102; D34/7
CPC A01G 13/06; A61L 9/032; A61L 9/122;
F24F 1/00; F24F 1/02; F24F 1/022; F24F 1/06;
F24F 1/08; F24F 1/12; F24F 1/14; F24F 1/16;
F24F 1/18; F24F 1/0007; F24F 1/0022;
F24F 1/0029; F24F 1/0033; F24F 3/12;
F24F 3/16; F24F 5/001; F24F 5/0017; F24F 5/0035;
F24F 6/00; F24F 6/02; F24F 2006/008; F24F 13/32; F24F 2221/20

See application file for complete search history.

(56) **References Cited**

U.S. PATENT DOCUMENTS

D133,303 S *	8/1942	Herb	D23/366
D165,891 S *	2/1952	Wile	D23/351
D204,715 S *	5/1966	Martin	D23/357
D325,431 S *	4/1992	Novobilski	D23/365
5,404,939 A *	4/1995	Lim	F24F 1/00 165/122
D382,049 S *	8/1997	Trampp	D23/365
D926,300 S *	7/2021	He	D23/335

(Continued)

OTHER PUBLICATIONS

Air Innovations. "Wine Guardian." <https://wineguardian.com/product/cs050-ceiling-mounted-wine-cooling-unit/Ceiling-Mounted-System-Datasheet>. Thurs. Nov. 11, 2021. Shown on p. 1 and 2. (Year: 2020).*

Primary Examiner — Gino Colan

Assistant Examiner — David OBrien

(74) *Attorney, Agent, or Firm* — Barclay Damon LLP

(57) **CLAIM**

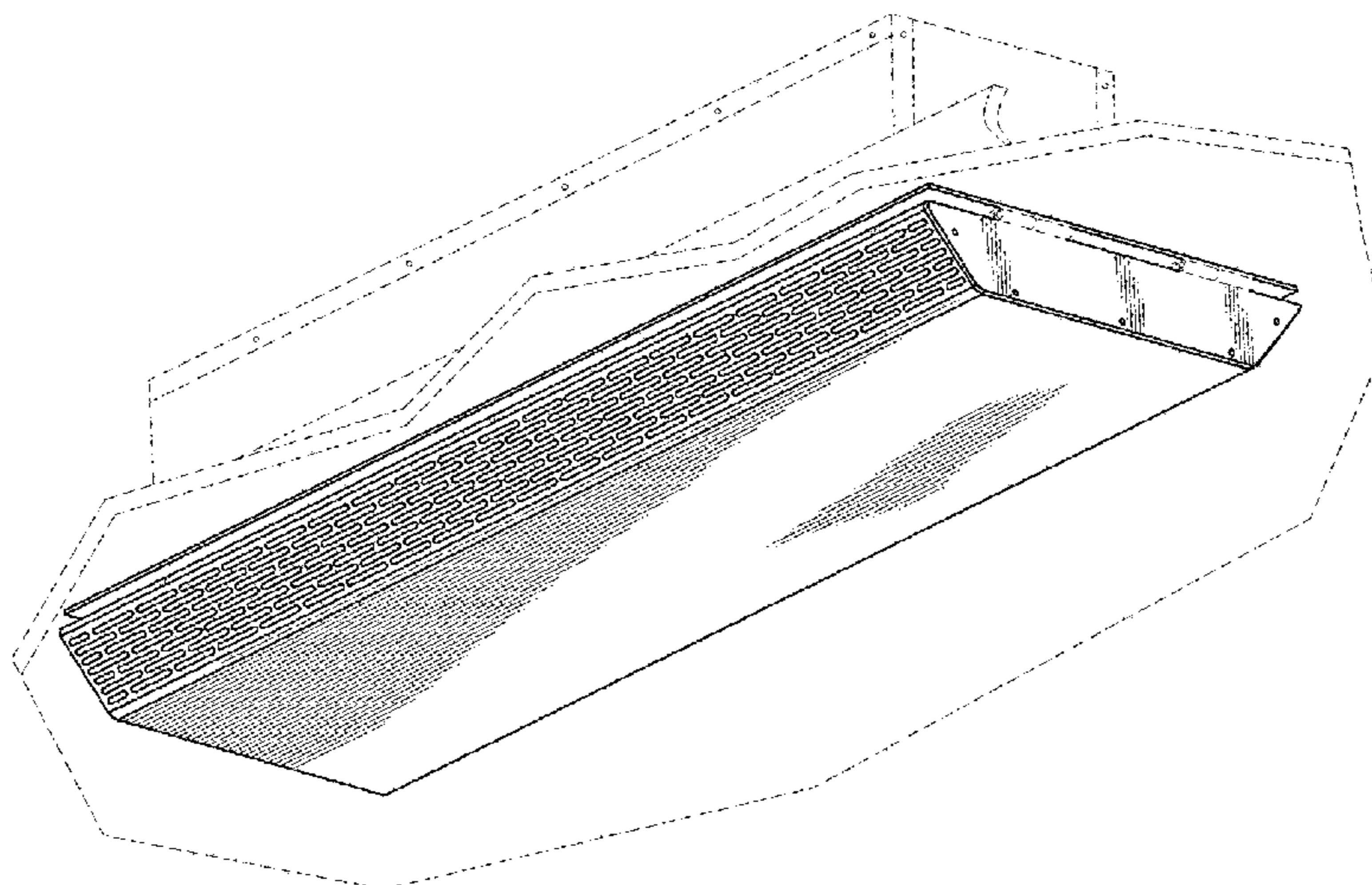
The ornamental design for a ceiling mount cooling unit for a wine cellar HVAC system, as shown and described.

DESCRIPTION

FIG. 1 is a front perspective view of a first embodiment of a ceiling mount cooling unit for a wine cellar HVAC system; FIG. 2 is a left side view thereof; FIG. 3 is a rear perspective view thereof; FIG. 4 is a right side view thereof; FIG. 5 is a front view thereof; FIG. 6 is a bottom plan view thereof; and FIG. 7 is a rear view thereof; and FIG. 8 is a front perspective view of a second embodiment of a ceiling mount cooling unit for a wine cellar HVAC system; FIG. 9 is a left side view thereof; FIG. 10 is a rear perspective view thereof; FIG. 11 is a right side view thereof; FIG. 12 is a front view thereof; FIG. 13 is a bottom plan view thereof; and, FIG. 14 is a rear view thereof.

The broken lines in the figures show portions of a ceiling mount cooling unit for a wine cellar HVAC system and environmental structure and form no part of the claimed design.

1 Claim, 6 Drawing Sheets



(56)

References Cited

U.S. PATENT DOCUMENTS

2013/0291735 A1* 11/2013 Livchak F24F 1/01
96/224
2018/0135871 A1* 5/2018 Kim F24F 11/79
2018/0172288 A1* 6/2018 Kim F24F 1/0011
2020/0289698 A1* 9/2020 Polidoro F21V 21/04
2021/0215355 A1* 7/2021 Fuse F24F 1/0018

* cited by examiner

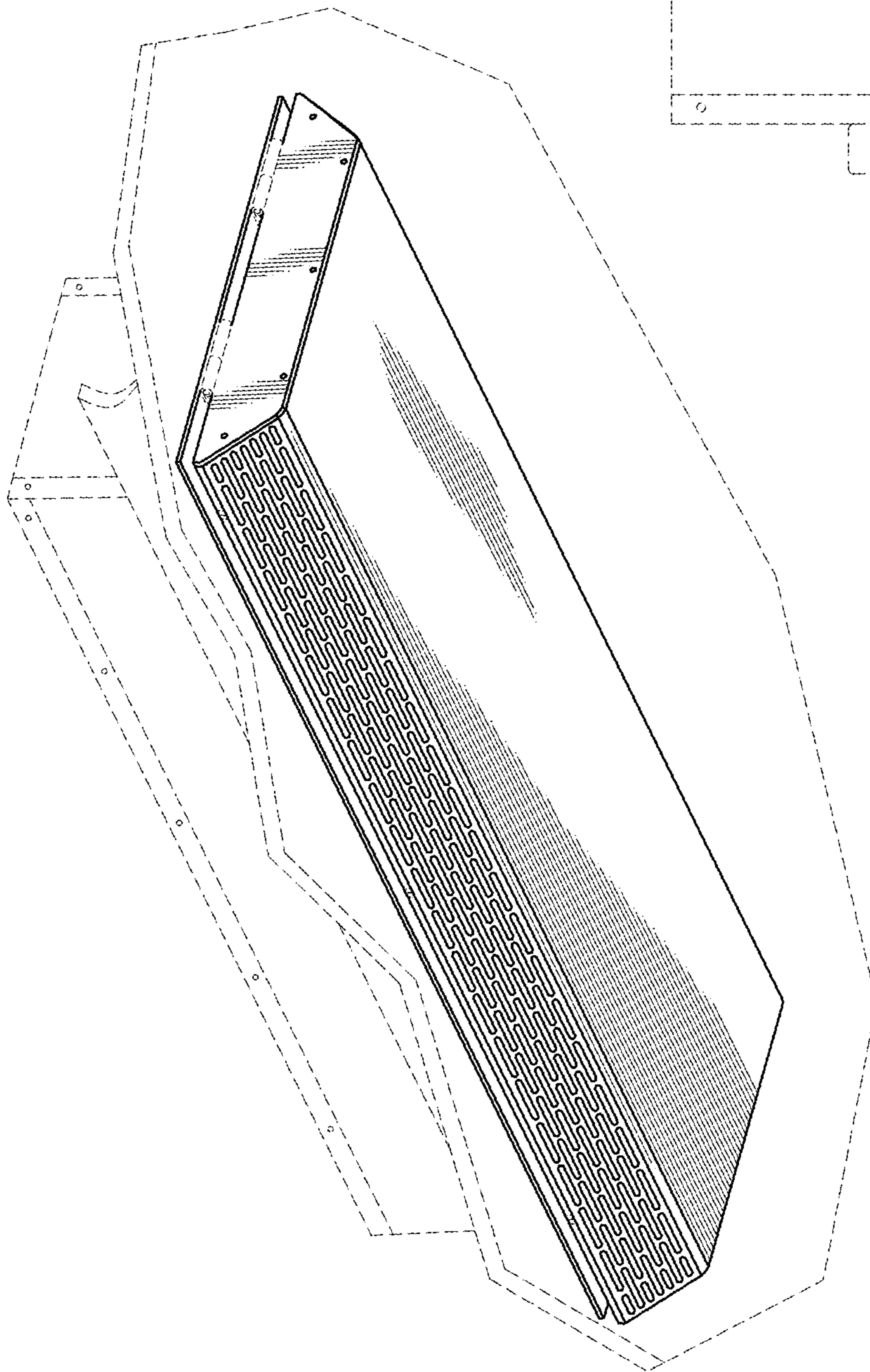


FIG. 1

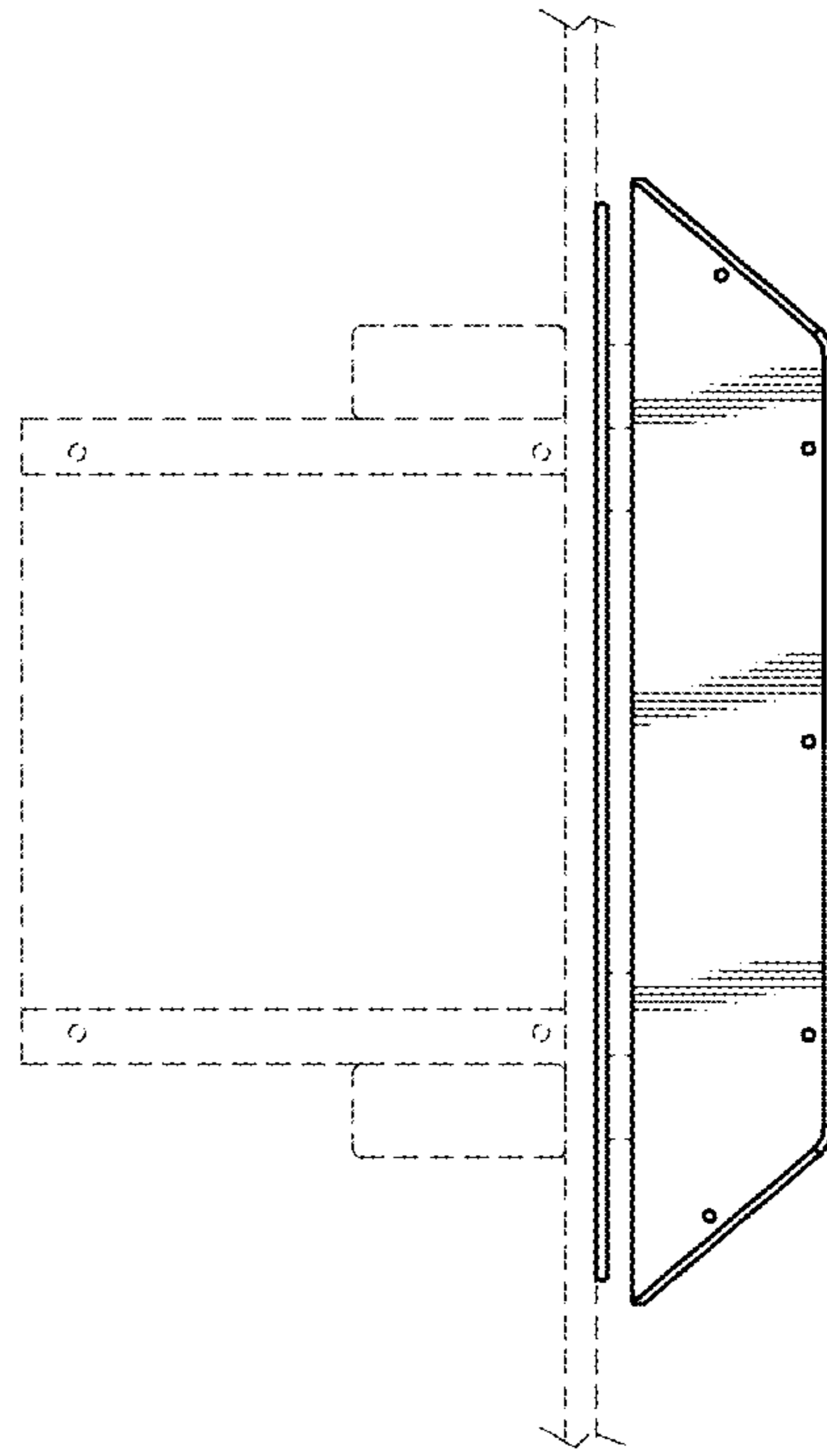


FIG. 2

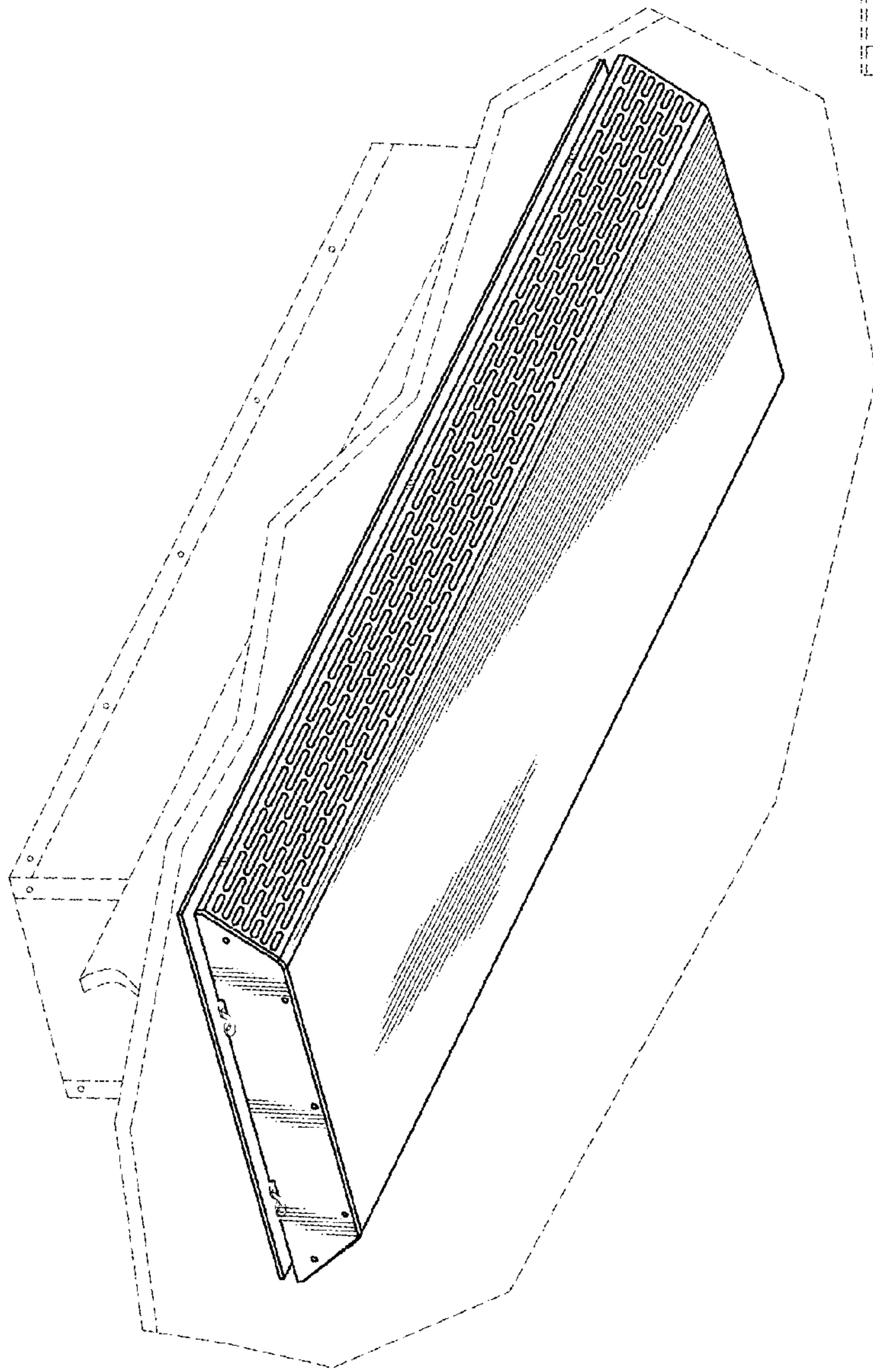


FIG.3

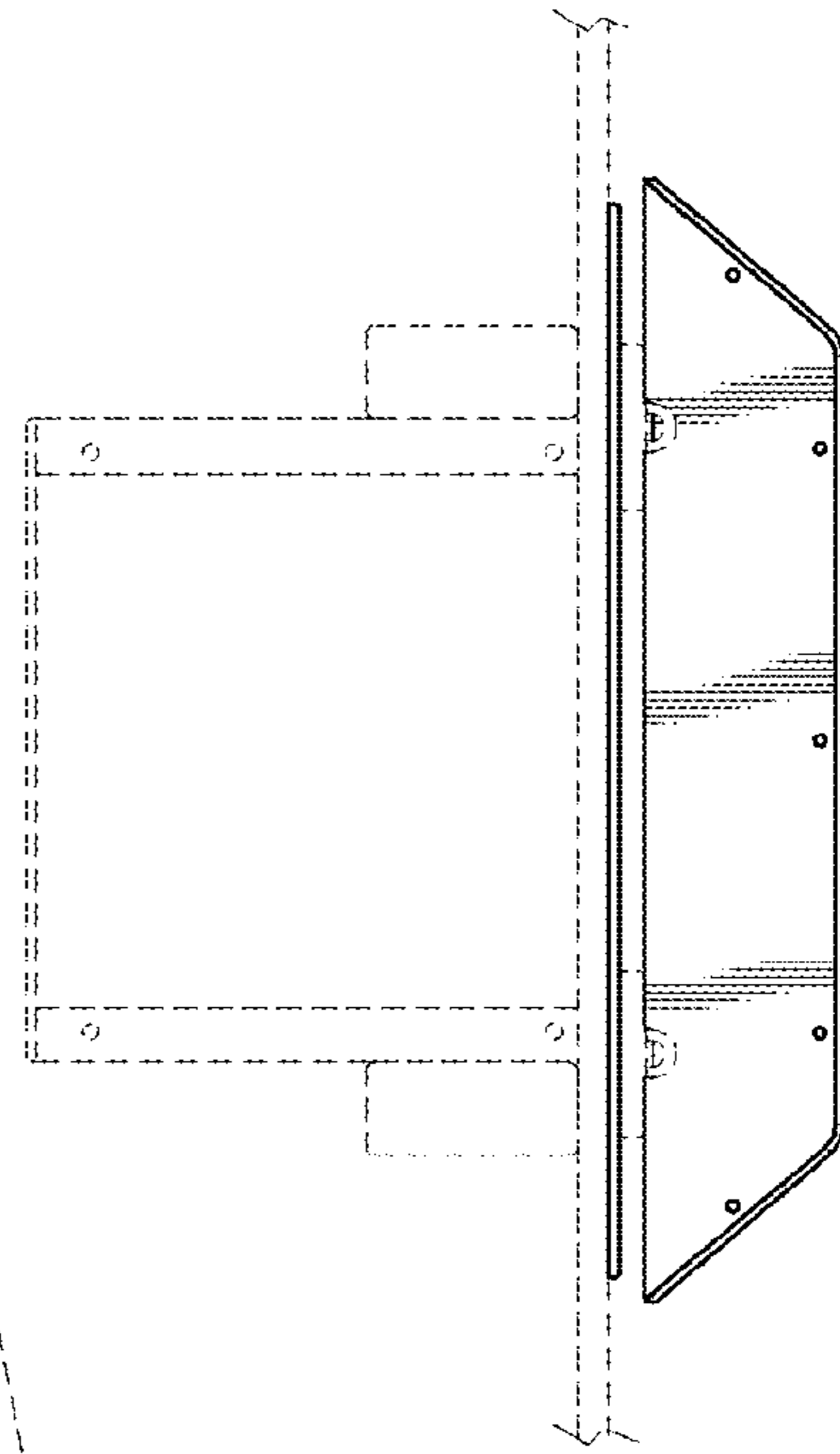


FIG.4

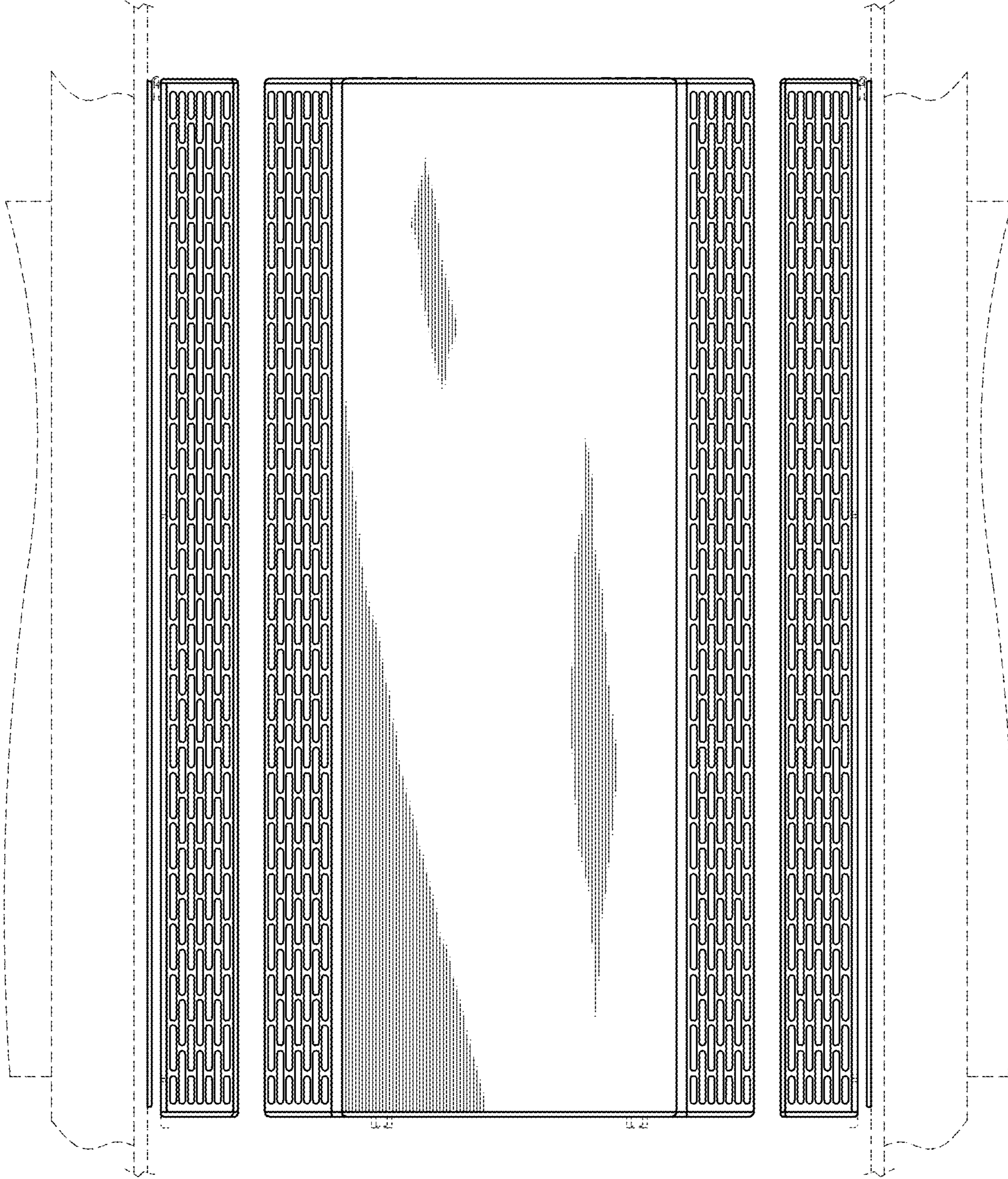


FIG. 5

FIG. 6

FIG. 7

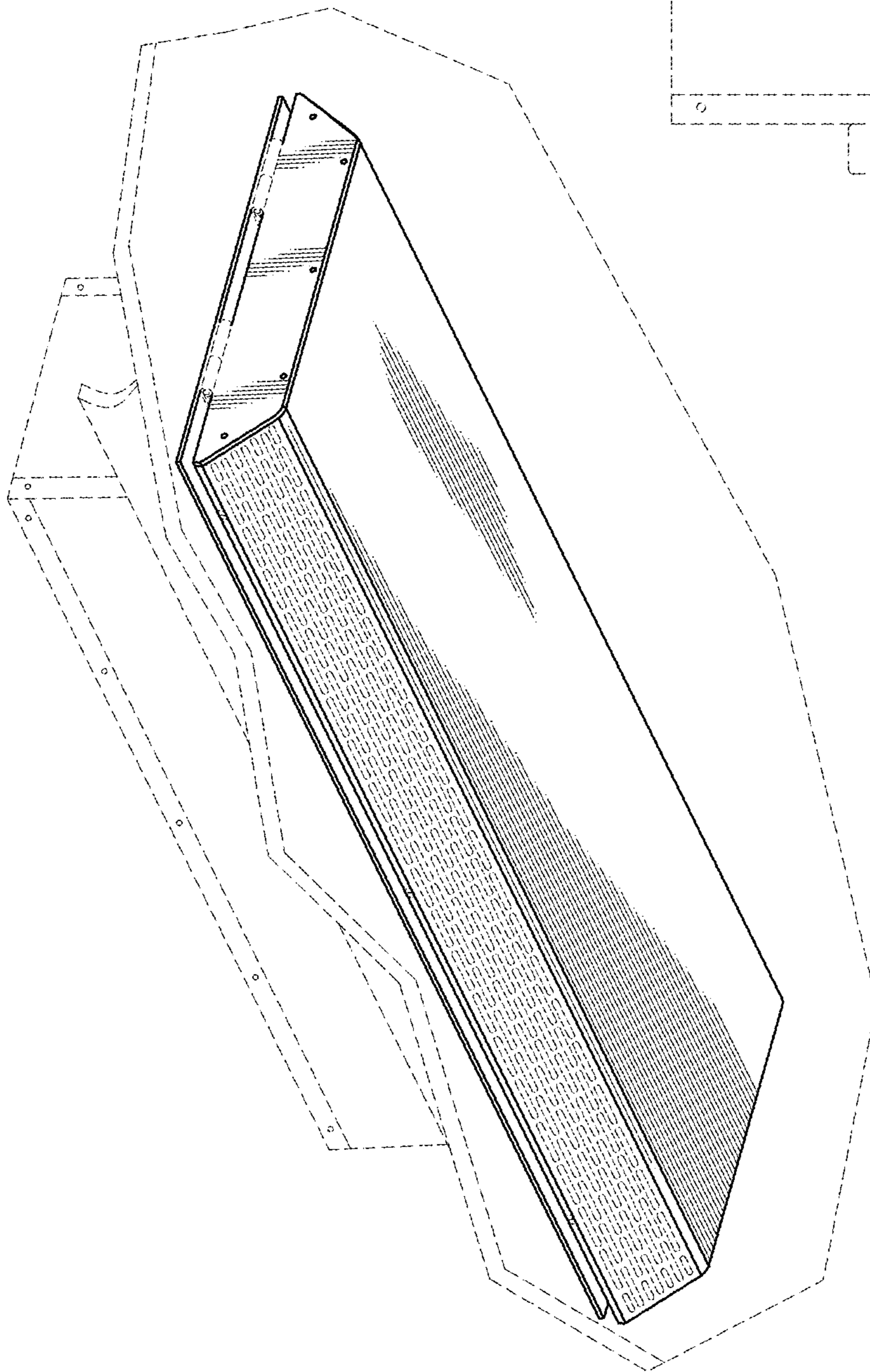


FIG. 8

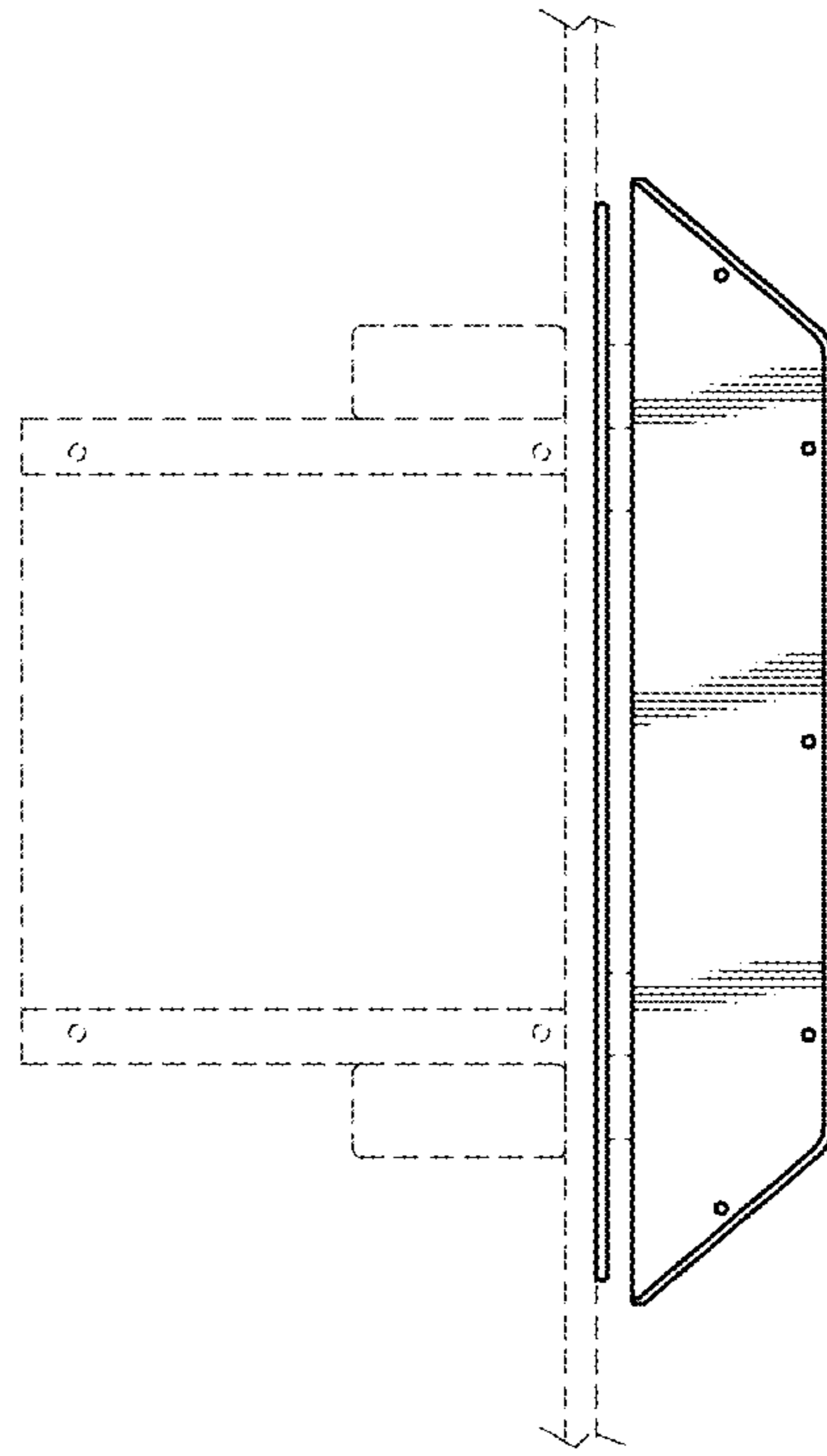


FIG. 9

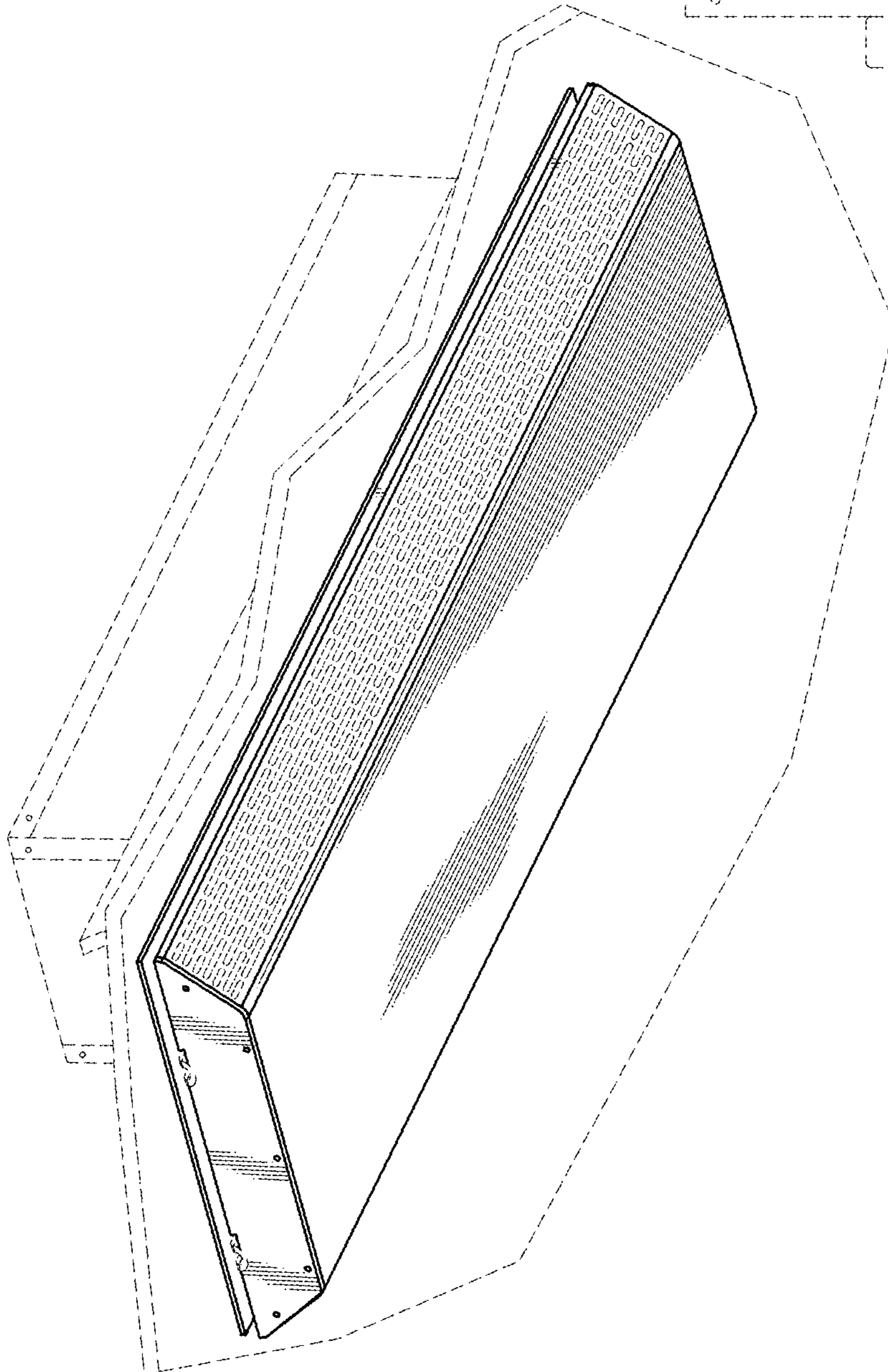


FIG.10

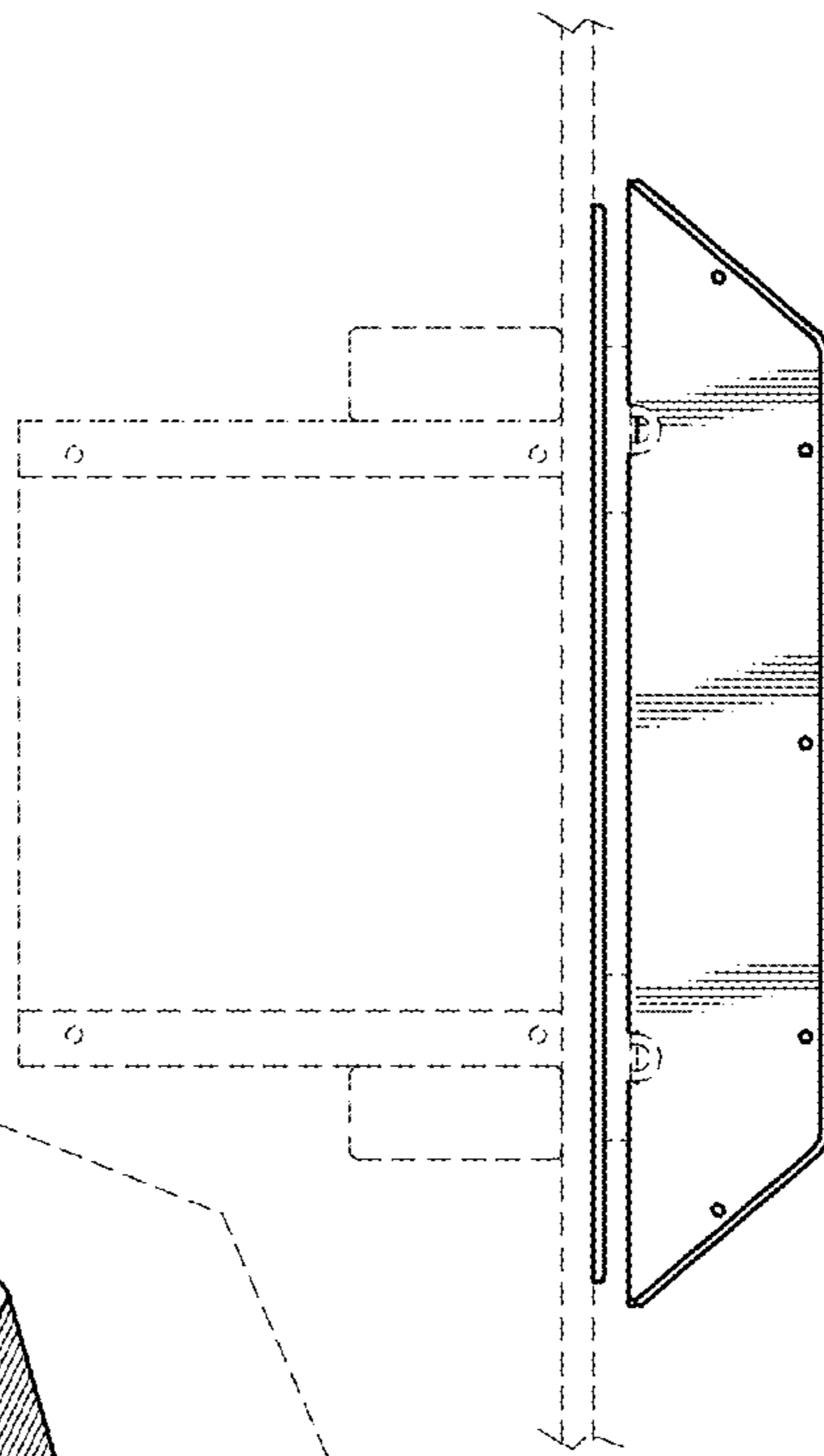


FIG.11

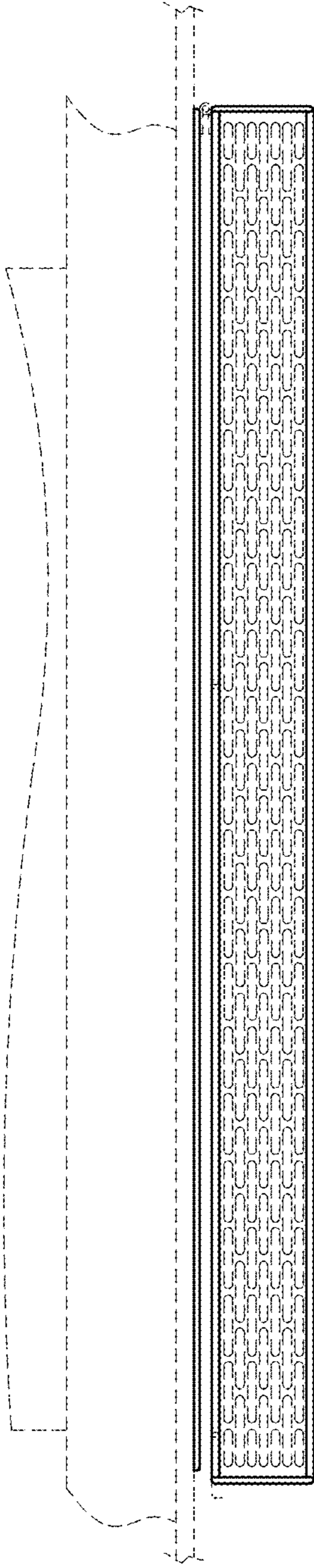


FIG. 12

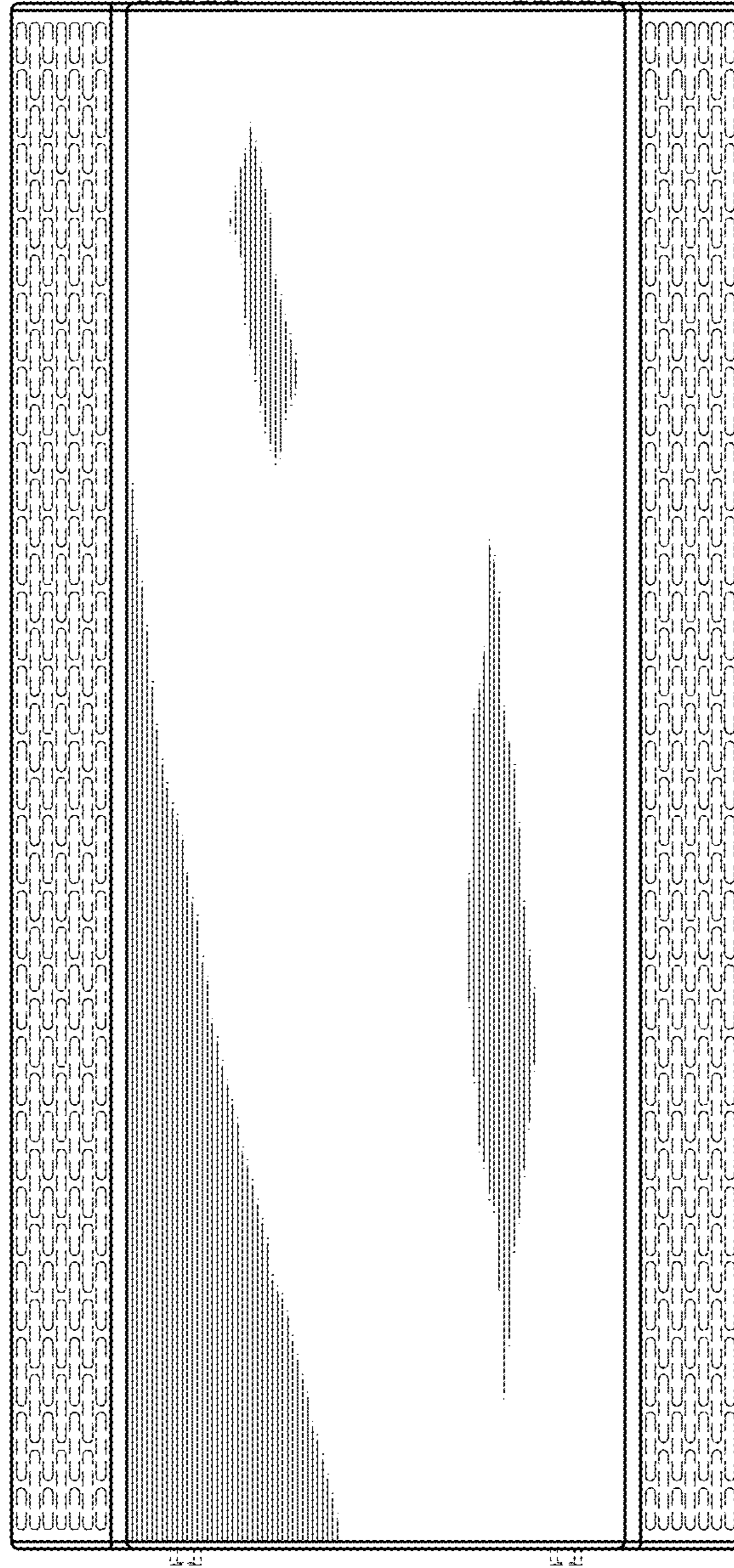


FIG. 13

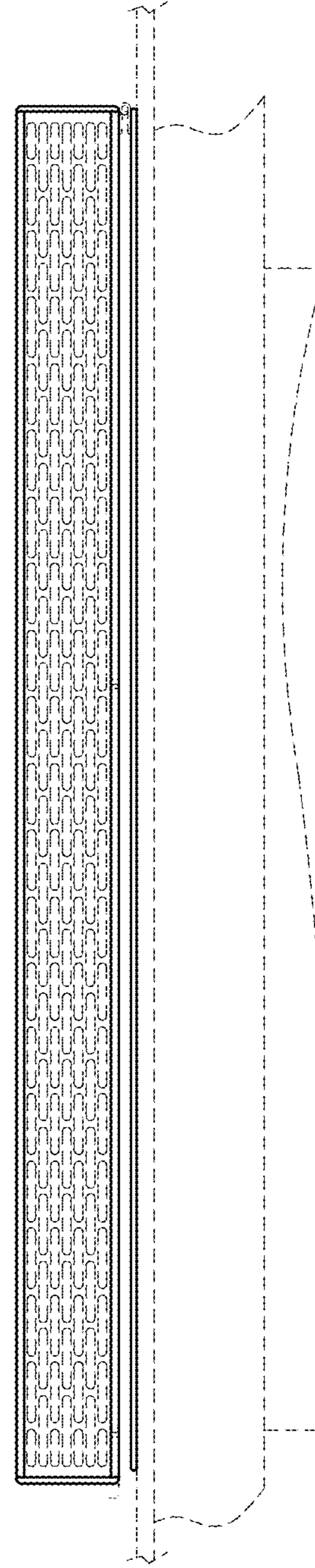


FIG. 14