



US00D978305S

(12) **United States Design Patent** (10) **Patent No.:** **US D978,305 S**
Tietge et al. (45) **Date of Patent:** **** Feb. 14, 2023**

(54) **HEAT PUMP**

(71) Applicant: **Stiebel Eltron GmbH & Co. KG**,
 Holzminden (DE)

(72) Inventors: **Claudia Tietge**, Ditzingen (DK);
Winfried Werthmann, Ostfildern (DE);
Stefan Andreesen, Esslingen (DE)

(**) Term: **15 Years**

(21) Appl. No.: **35/512,794**

(22) Filed: **Apr. 28, 2021**

(80) **Hague Agreement Data**

Int. Filing Date: **Apr. 28, 2021**
 Int. Reg. No.: **DM/214657**
 Int. Reg. Date: **Apr. 28, 2021**
 Int. Reg. Pub. Date: **Oct. 29, 2021**

(51) **LOC (14) Cl.** **23-03**

(52) **U.S. Cl.**
USPC **D23/318**

(58) **Field of Classification Search**

USPC D23/335, 314, 317, 318, 319, 320, 321,
 D23/329, 341
 CPC . F24H 1/10; F24H 9/2028; F24H 9/02; F24H
 9/128; F24H 9/2021; F24H 9/2007; F24H
 9/0005; F24H 4/00; F24H 2/142; F24H
 9/2071; F24H 9/2064; F24H 1/06; F24H
 4/02; F24D 19/1054; F28D 21/0007
 See application file for complete search history.

(56) **References Cited**

U.S. PATENT DOCUMENTS

2,095,017 A * 10/1937 Wilkes F24H 4/04
 122/15.1
 4,584,463 A * 4/1986 Klages F24H 1/102
 392/492

D539,882 S * 4/2007 Li D23/352
 2014/0157814 A1 * 6/2014 Duplessis F24H 4/04
 62/324.1
 2016/0201929 A1 * 7/2016 Farris F25D 21/14
 122/15.1
 2018/0094833 A1 * 4/2018 Tsai F24H 4/04
 2018/0135885 A1 * 5/2018 Shaffer F24H 4/04
 2018/0238561 A1 * 8/2018 Yin F24D 19/1054
 2022/0146147 A1 * 5/2022 White F24H 9/2021

* cited by examiner

Primary Examiner — Ania Aman

(57) **CLAIM**

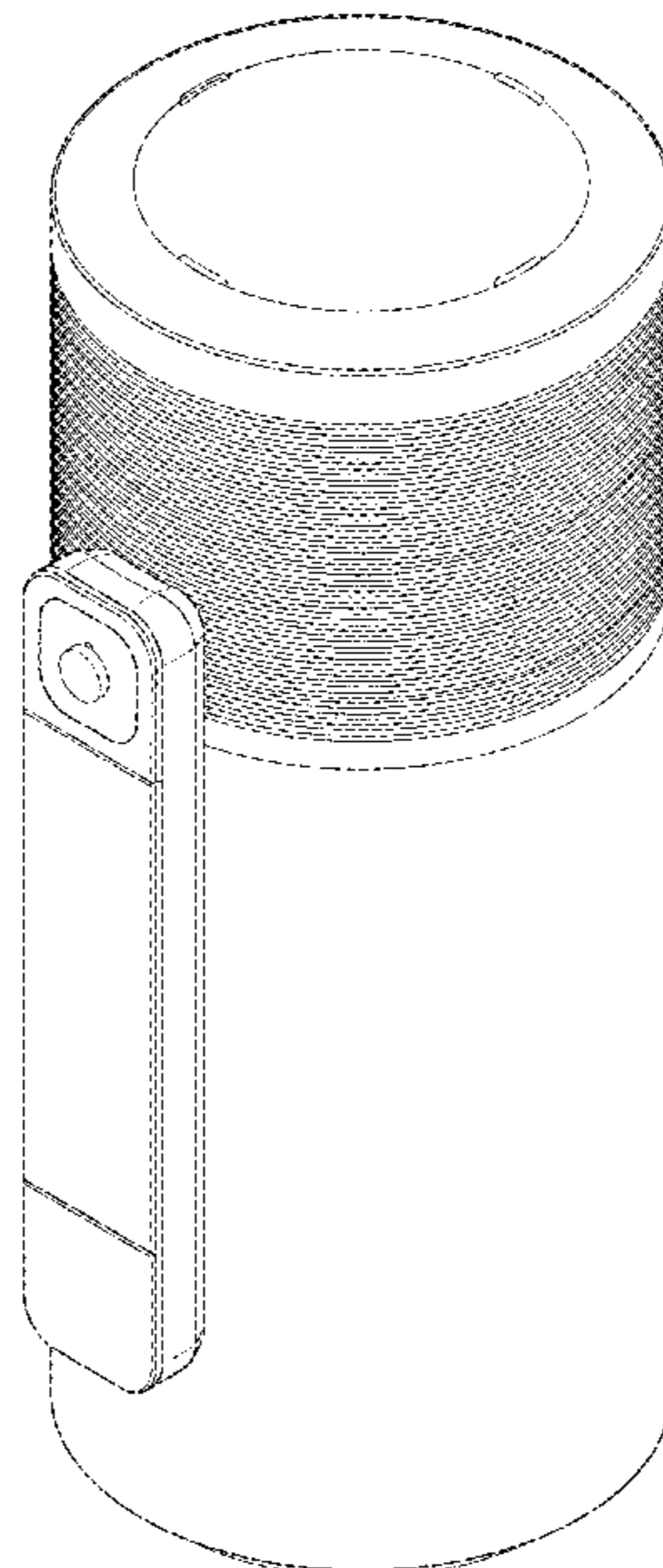
The ornamental design for a heat pump, as shown and described.

DESCRIPTION

1. Heat pump
2. Heat pump
 - 1.1 : Front
 - 1.2 : Back
 - 1.3 : Top
 - 1.4 : Left
 - 1.5 : Right
 - 1.6 : Bottom
 - 1.7 : Perspective
- 2.1 : Front
- 2.2 : Back
- 2.3 : Top
- 2.4 : Left
- 2.5 : Right
- 2.6 : Bottom
- 2.7 : Perspective

Heater, in particular a heat pump; the front side has a protruding element in the middle.

1 Claim, 14 Drawing Sheets



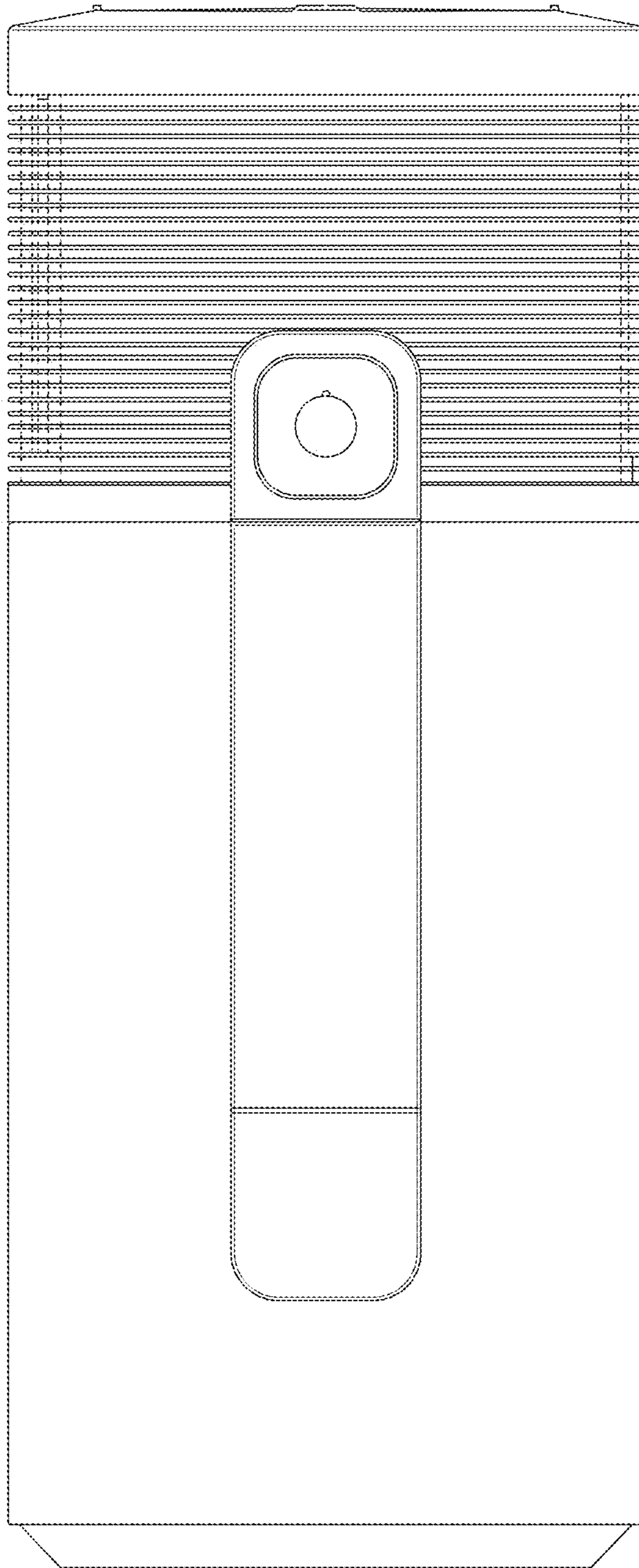


FIG. 1.1

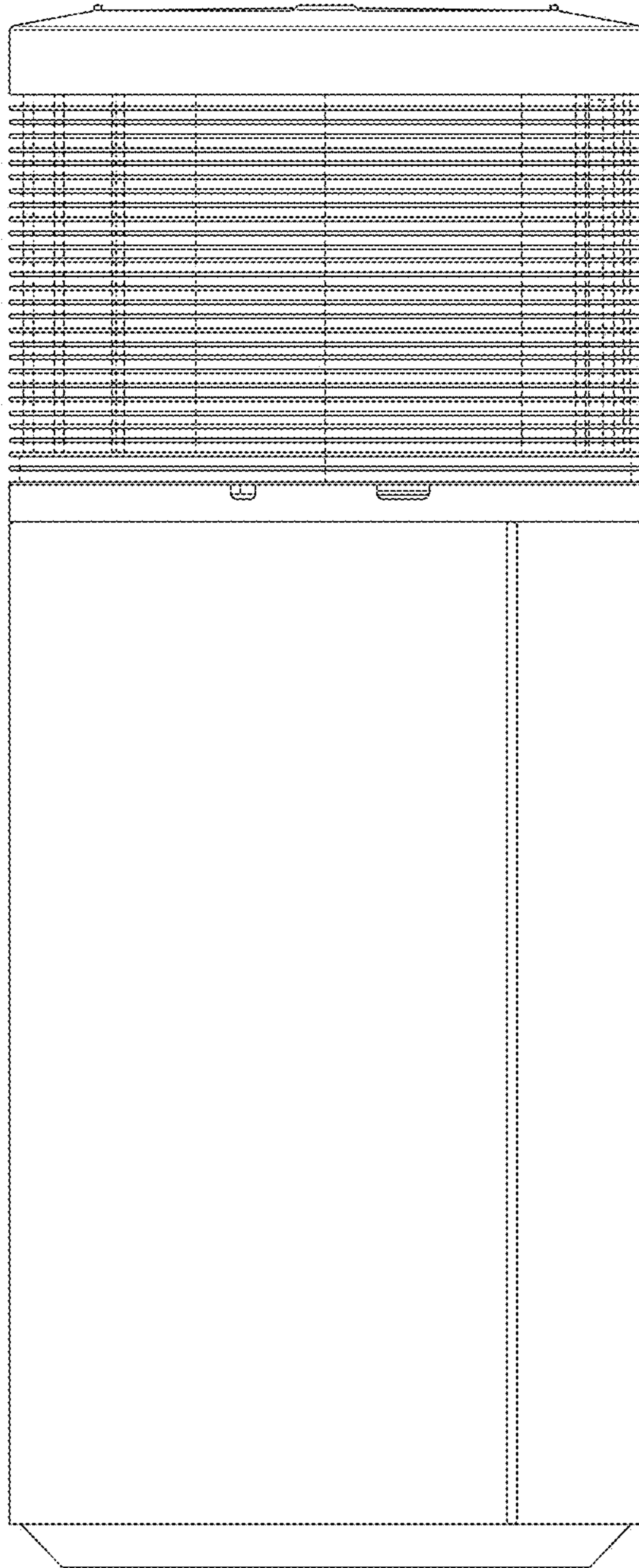


FIG. 1.2

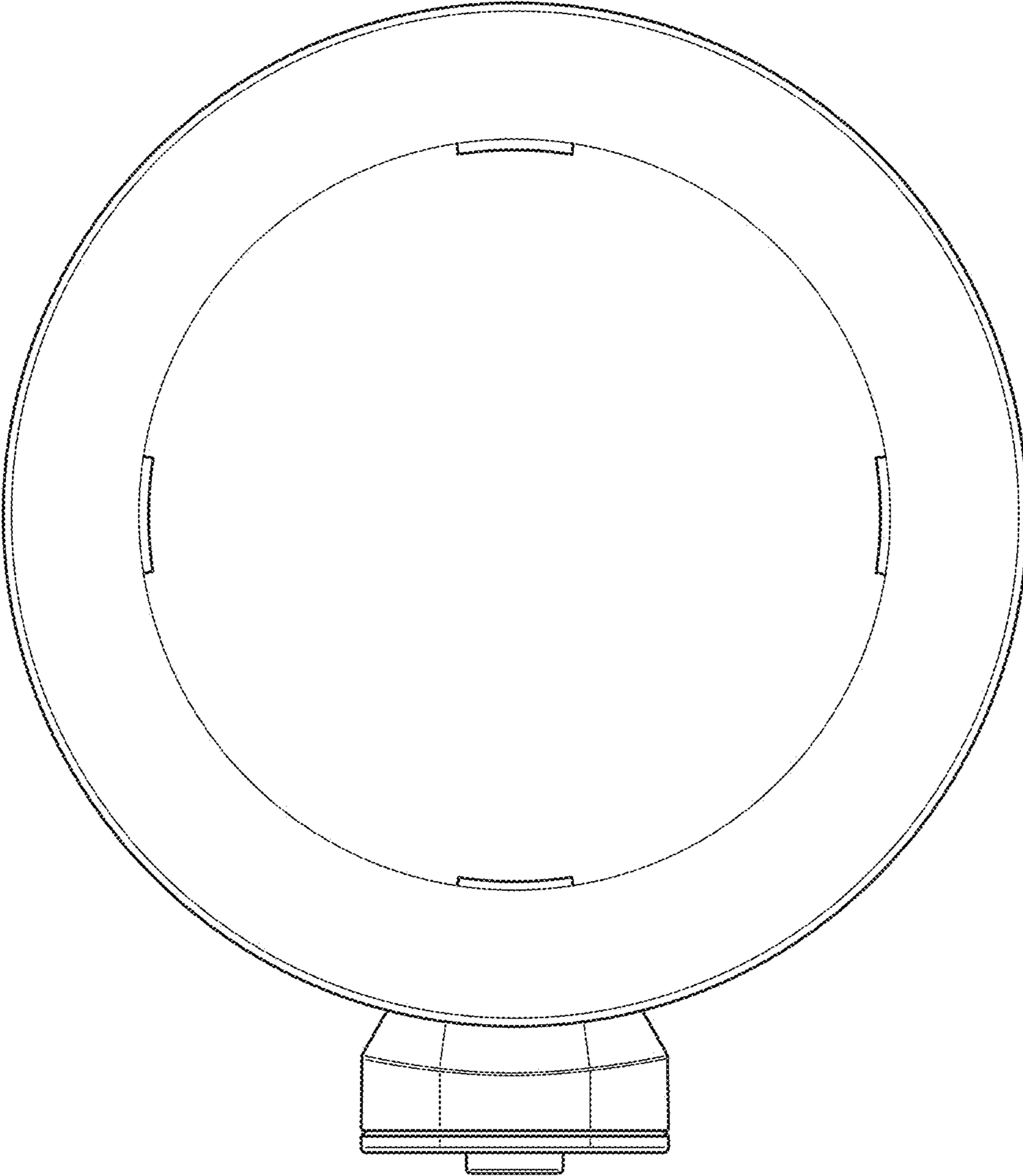


FIG. 1.3

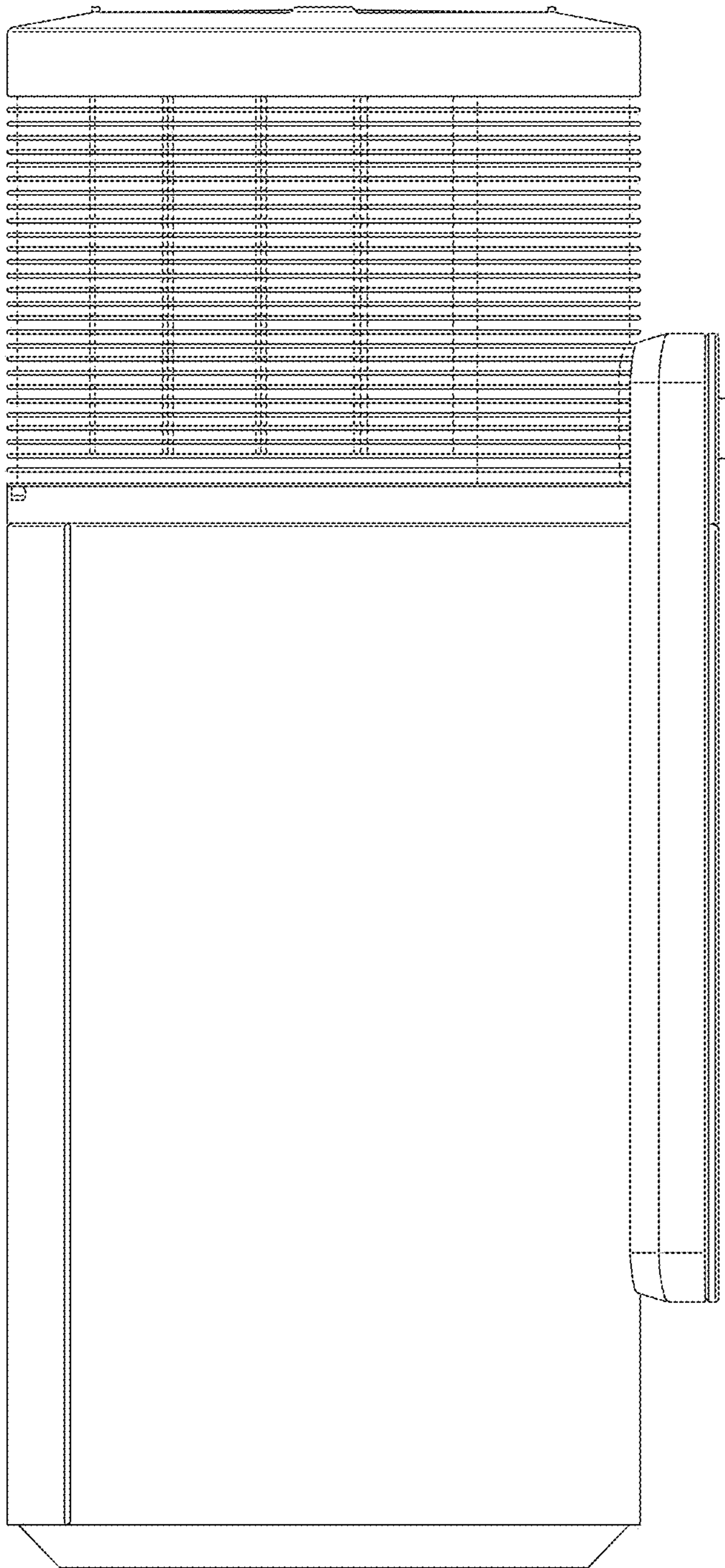


FIG. 1.4

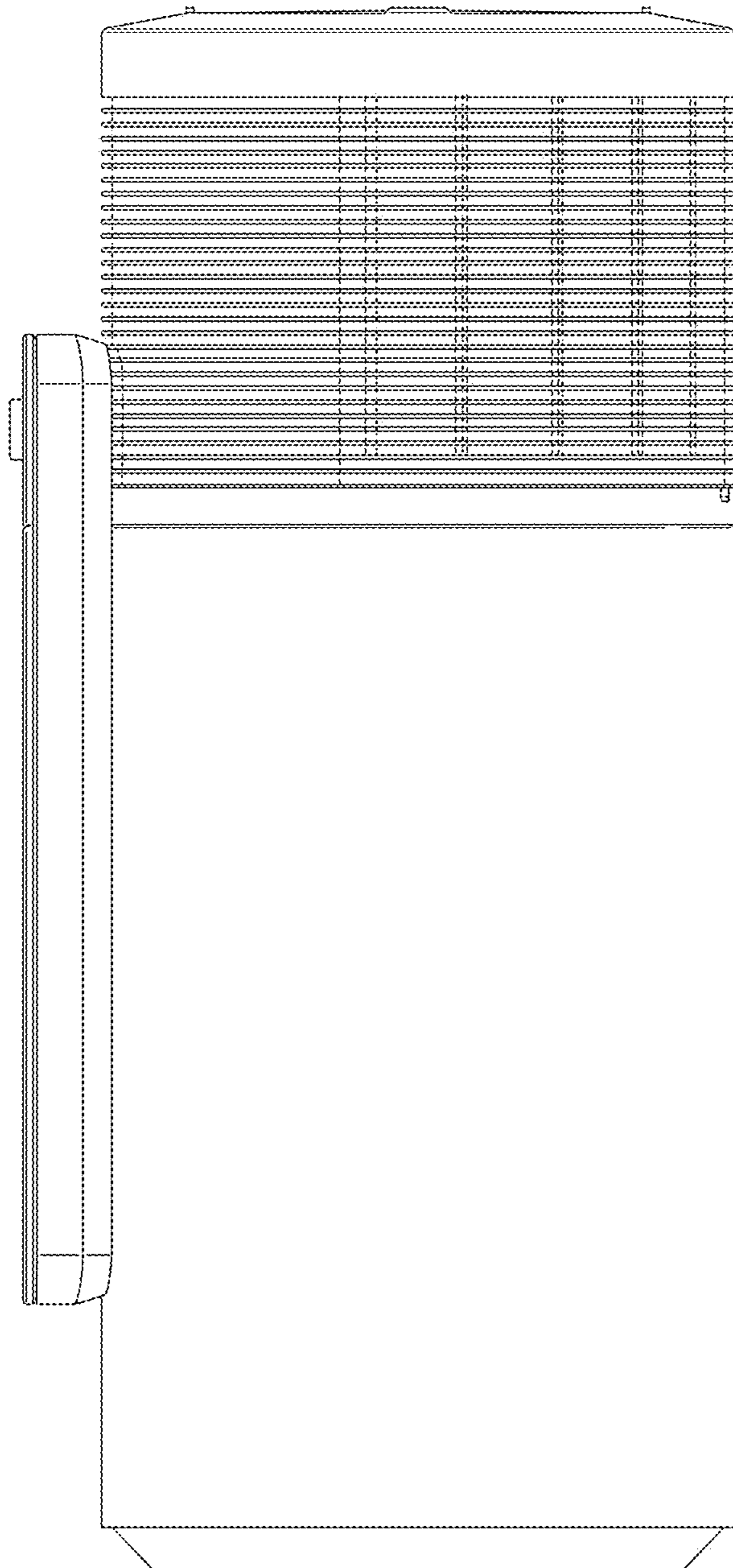


FIG. 1.5

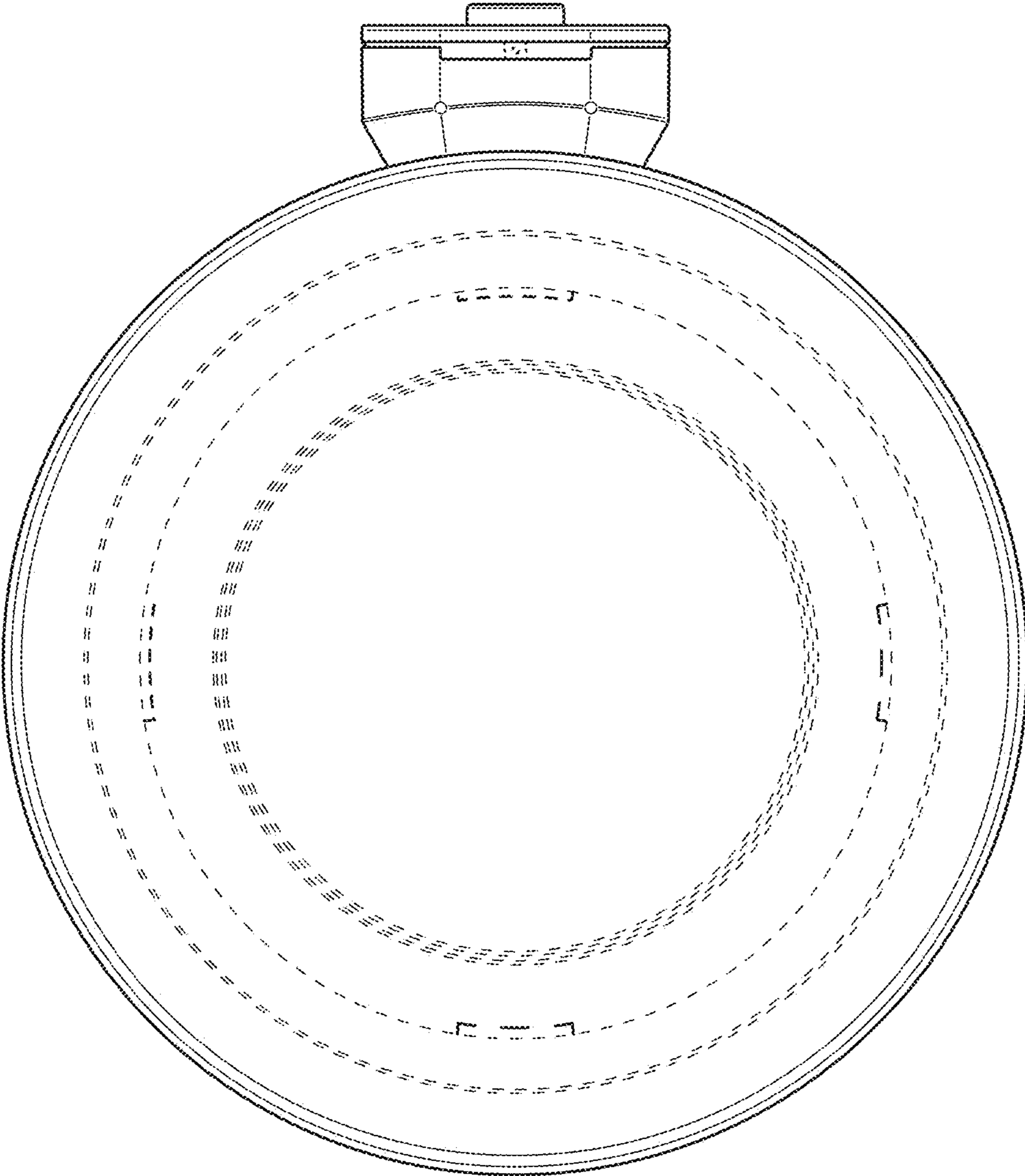


FIG. 1.6

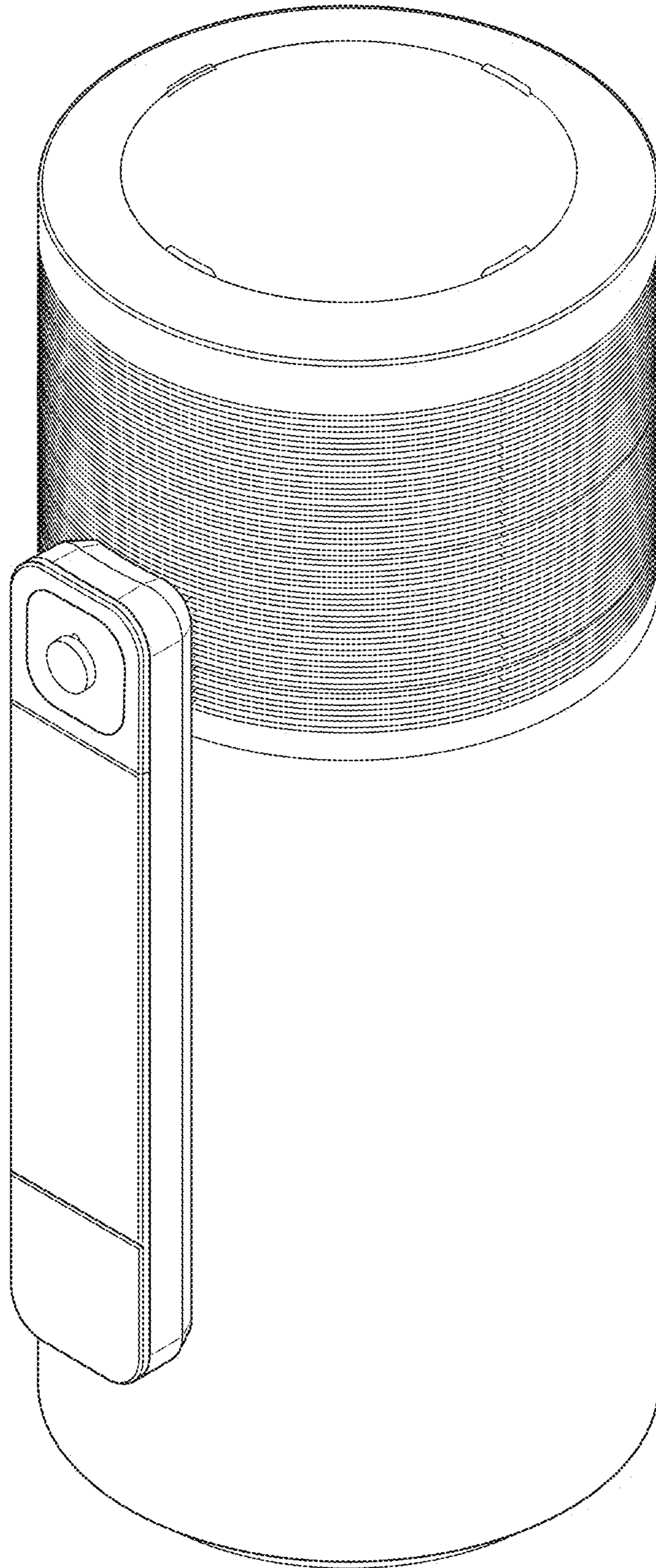


FIG. 1.7

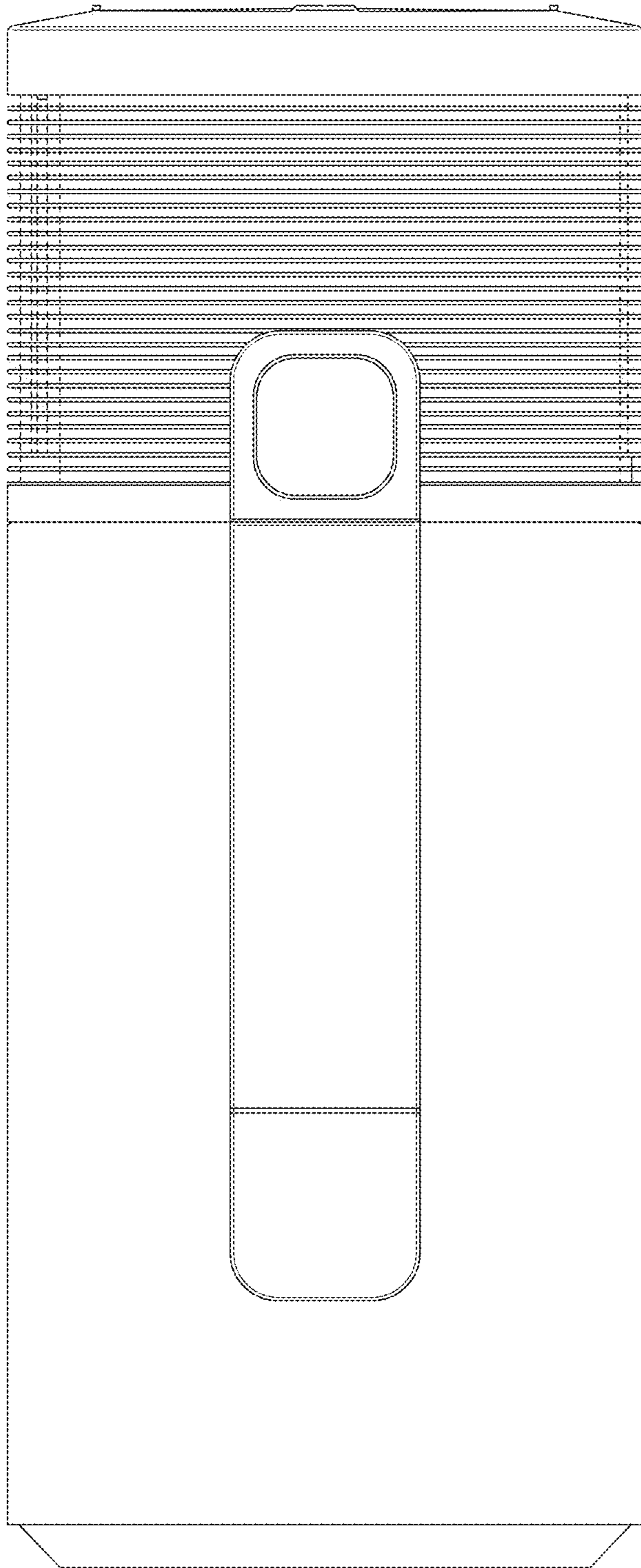


FIG. 2.1

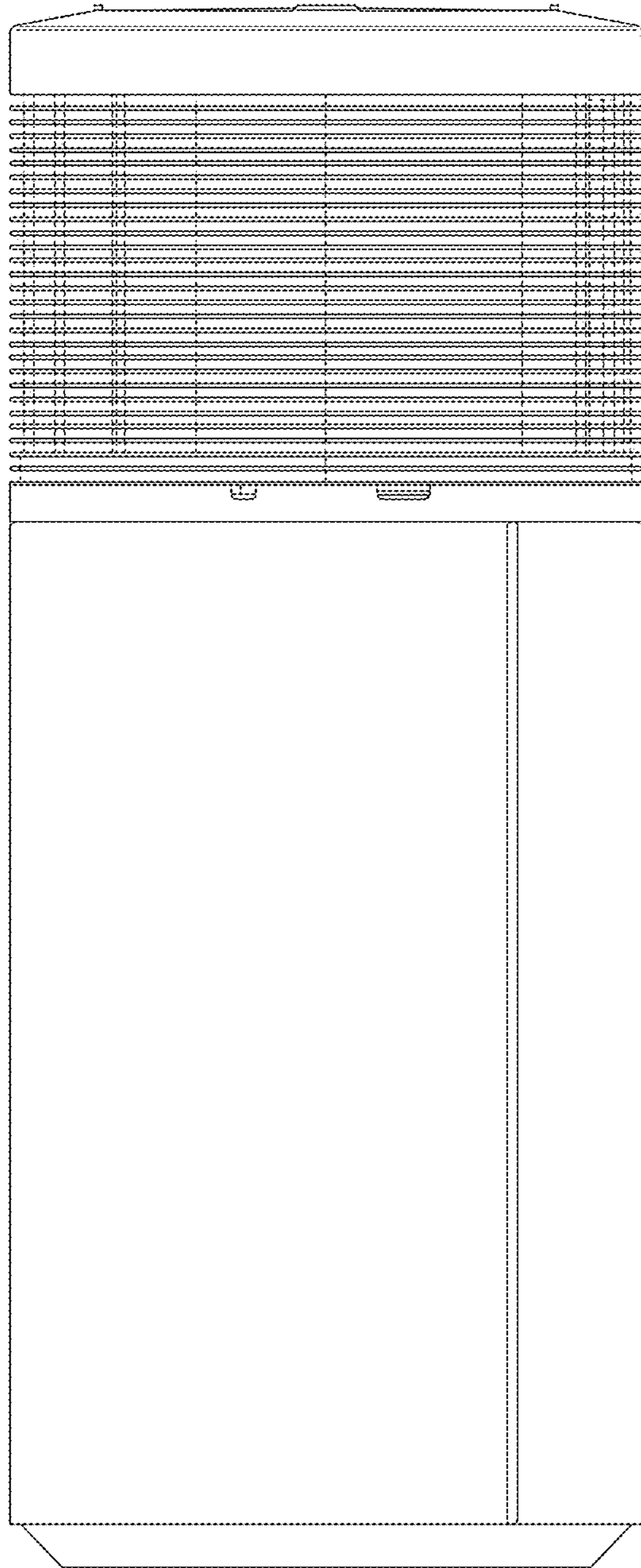


FIG. 2.2

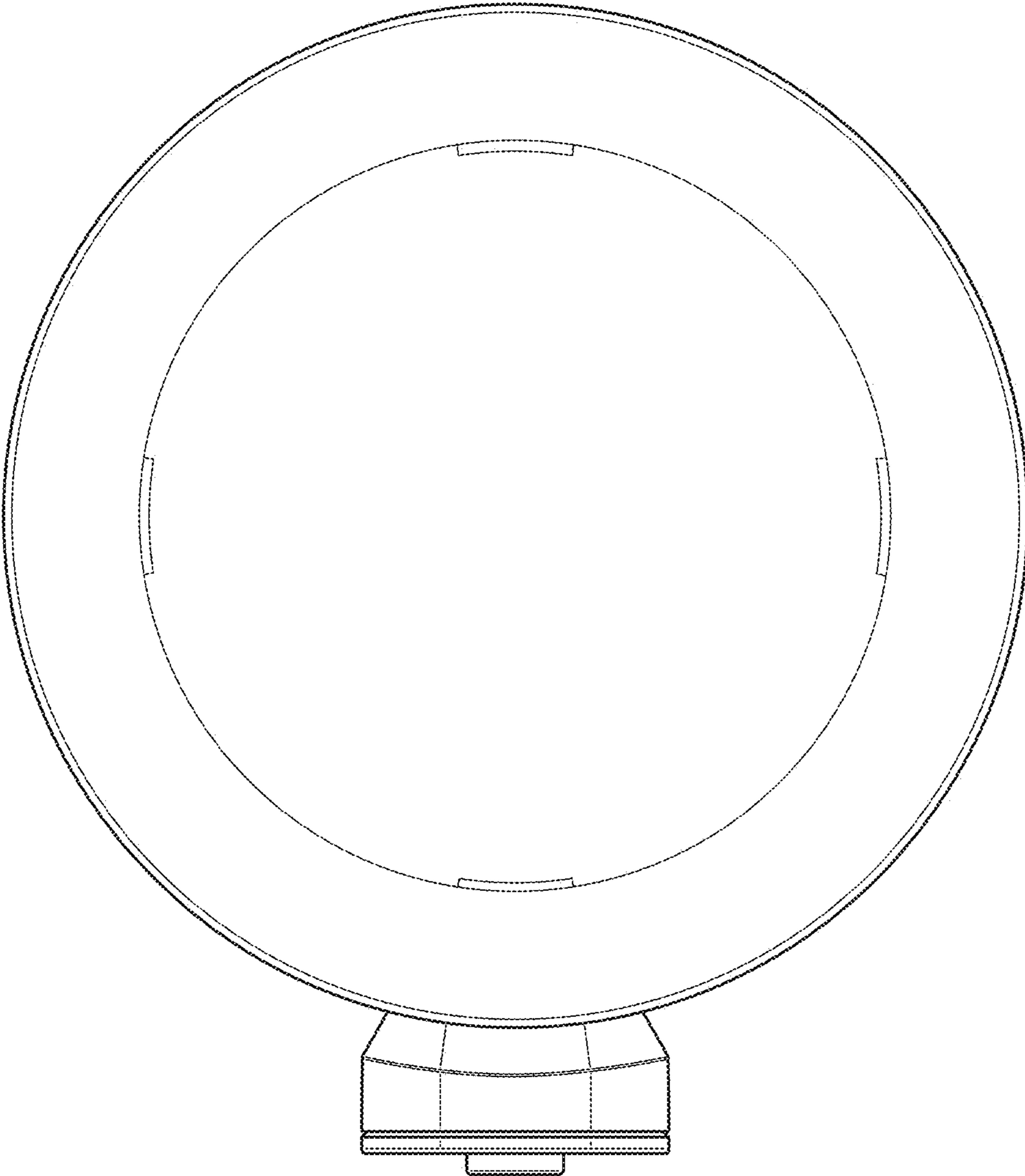


FIG. 2.3

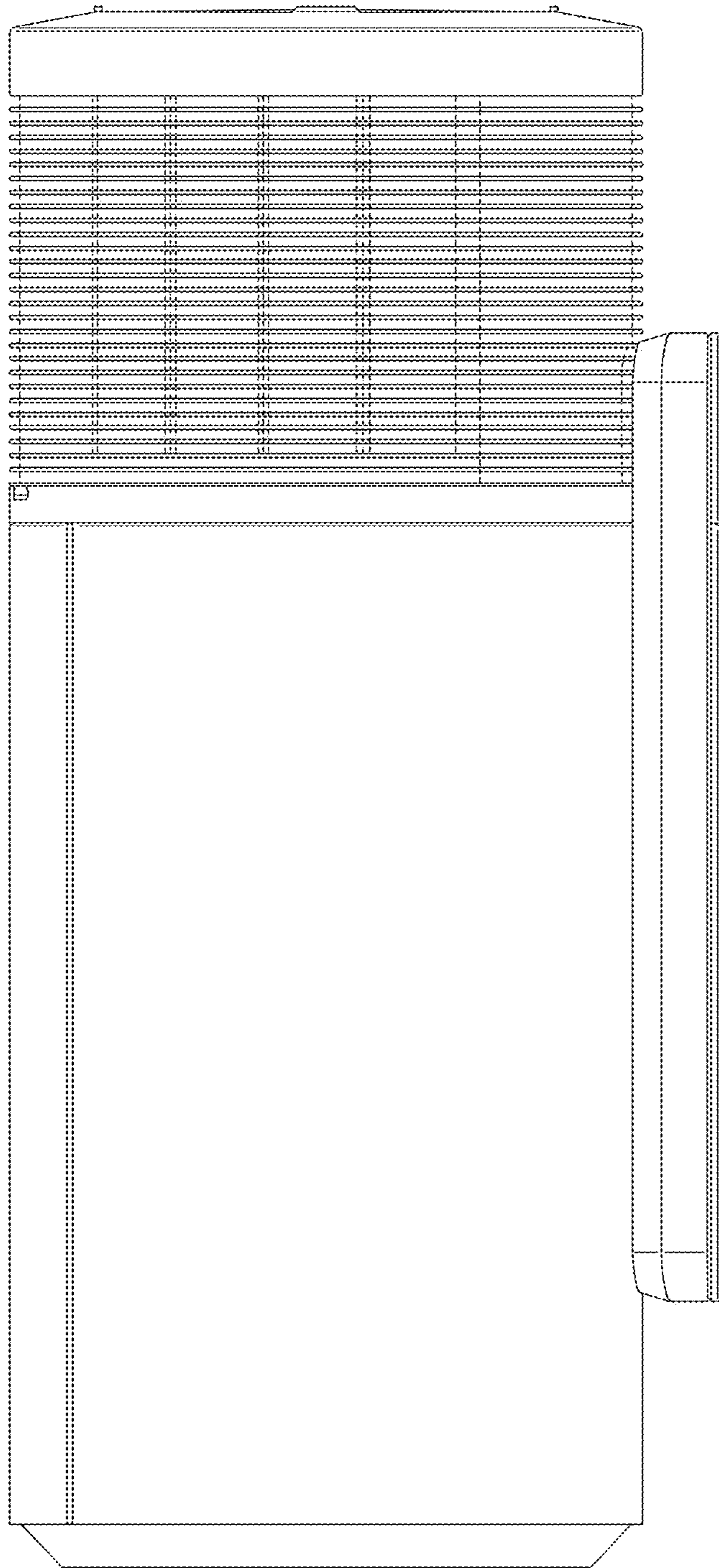


FIG. 2.4

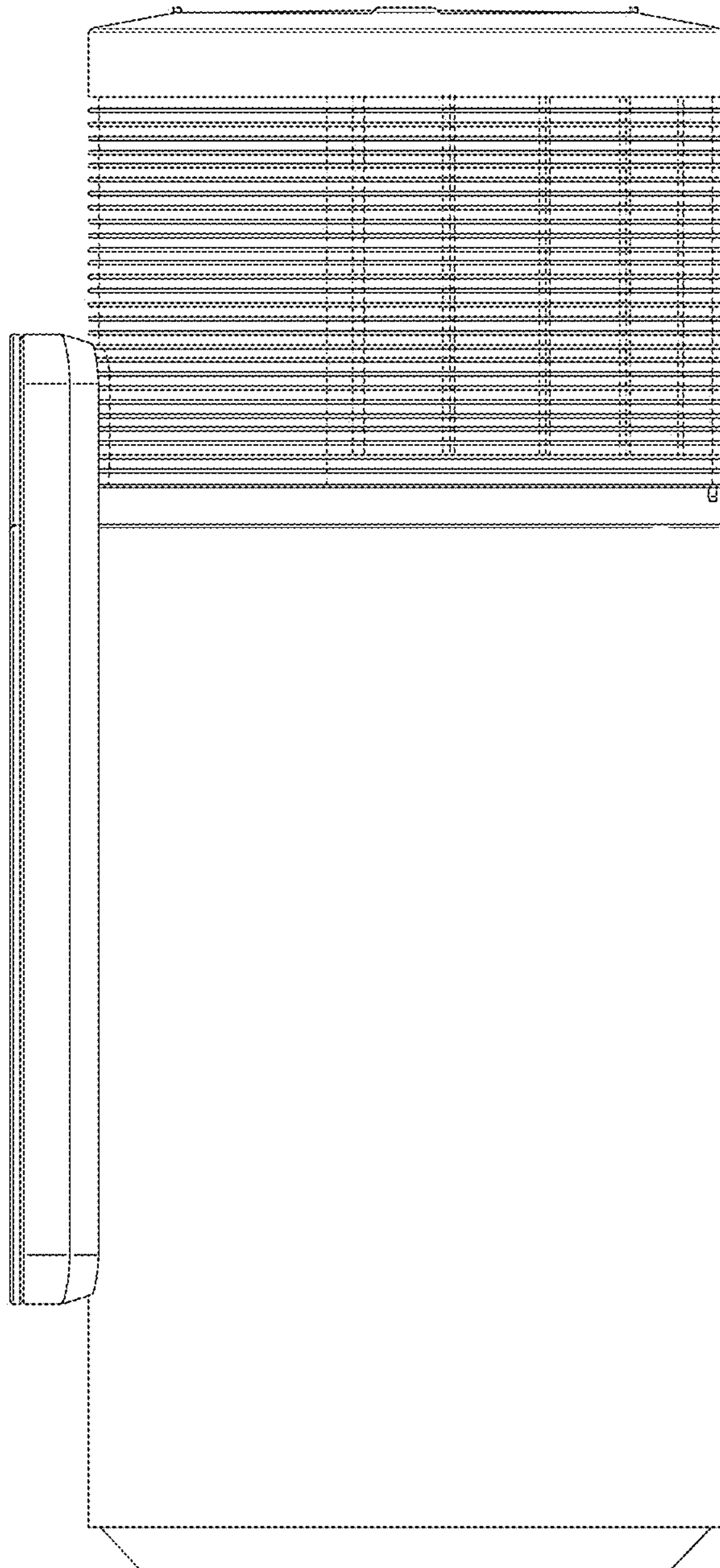


FIG. 2.5

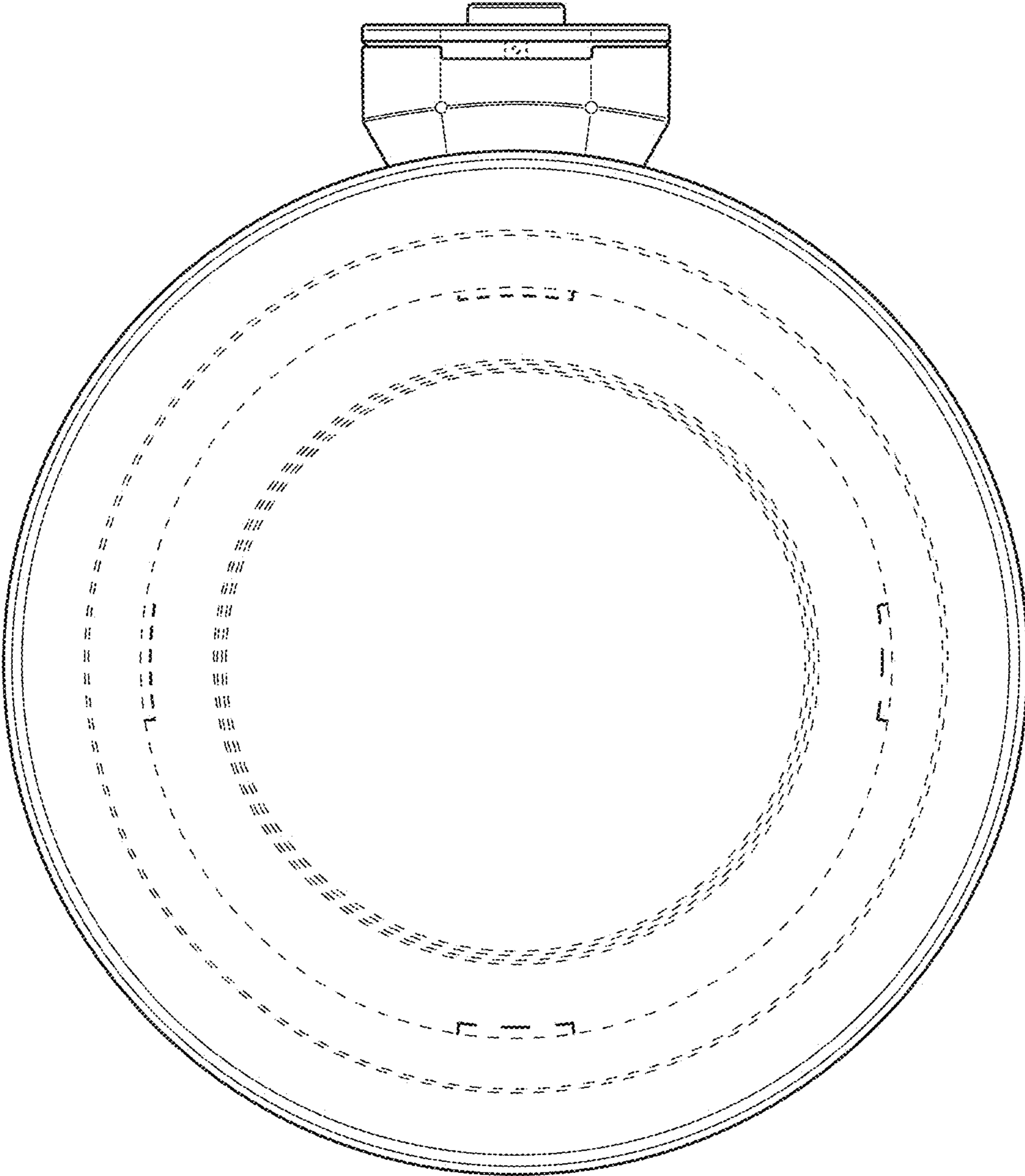


FIG. 2.6

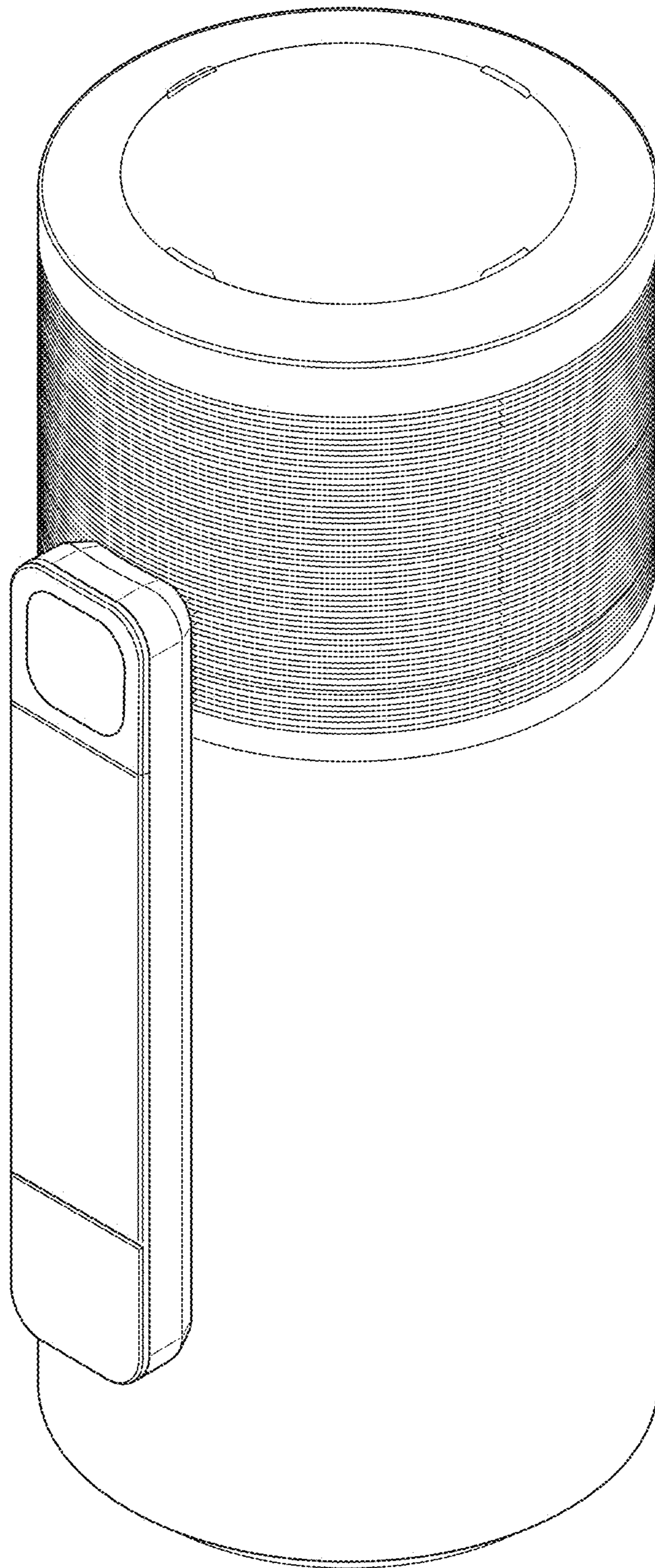


FIG. 2.7