



US00D978303S

(12) **United States Design Patent**  
**Cobb, Jr.**

(10) **Patent No.:** **US D978,303 S**  
(45) **Date of Patent:** **\*\* Feb. 14, 2023**

(54) **THREE GLASS PANEL SHOWER ENCLOSURE**

(71) Applicant: **COASTAL INDUSTRIES, INC.,**  
Jacksonville, FL (US)

(72) Inventor: **William M Cobb, Jr.,** Jacksonville, FL  
(US)

(73) Assignee: **COASTAL INDUSTRIES, INC.,**  
Jacksonville, FL (US)

(\*\*) Term: **15 Years**

(21) Appl. No.: **29/740,270**

(22) Filed: **Jul. 2, 2020**

(51) **LOC (14) Cl.** ..... **23-02**

(52) **U.S. Cl.**  
USPC ..... **D23/305**

(58) **Field of Classification Search**  
USPC ..... D56/274, 283, 303-305; D8/315;  
D25/48.3

See application file for complete search history.

(56) **References Cited**

**U.S. PATENT DOCUMENTS**

- 4,633,614 A \* 1/1987 Van Weelden ..... A47K 3/34  
16/105
- 9,945,117 B2 \* 4/2018 Cobb ..... A47K 3/30

- D816,818 S \* 5/2018 Lieb ..... D23/305
- D892,993 S \* 8/2020 Shtraks ..... D23/305
- D892,996 S \* 8/2020 Molina ..... D23/305
- D895,843 S \* 9/2020 Cobb ..... A47K 3/34  
D25/48.3
- 10,786,120 B2 \* 9/2020 Thews ..... A47K 3/34

\* cited by examiner

*Primary Examiner* — Robert A Delehanty

(74) *Attorney, Agent, or Firm* — Bradley Arant Boulton  
Cummings LLP

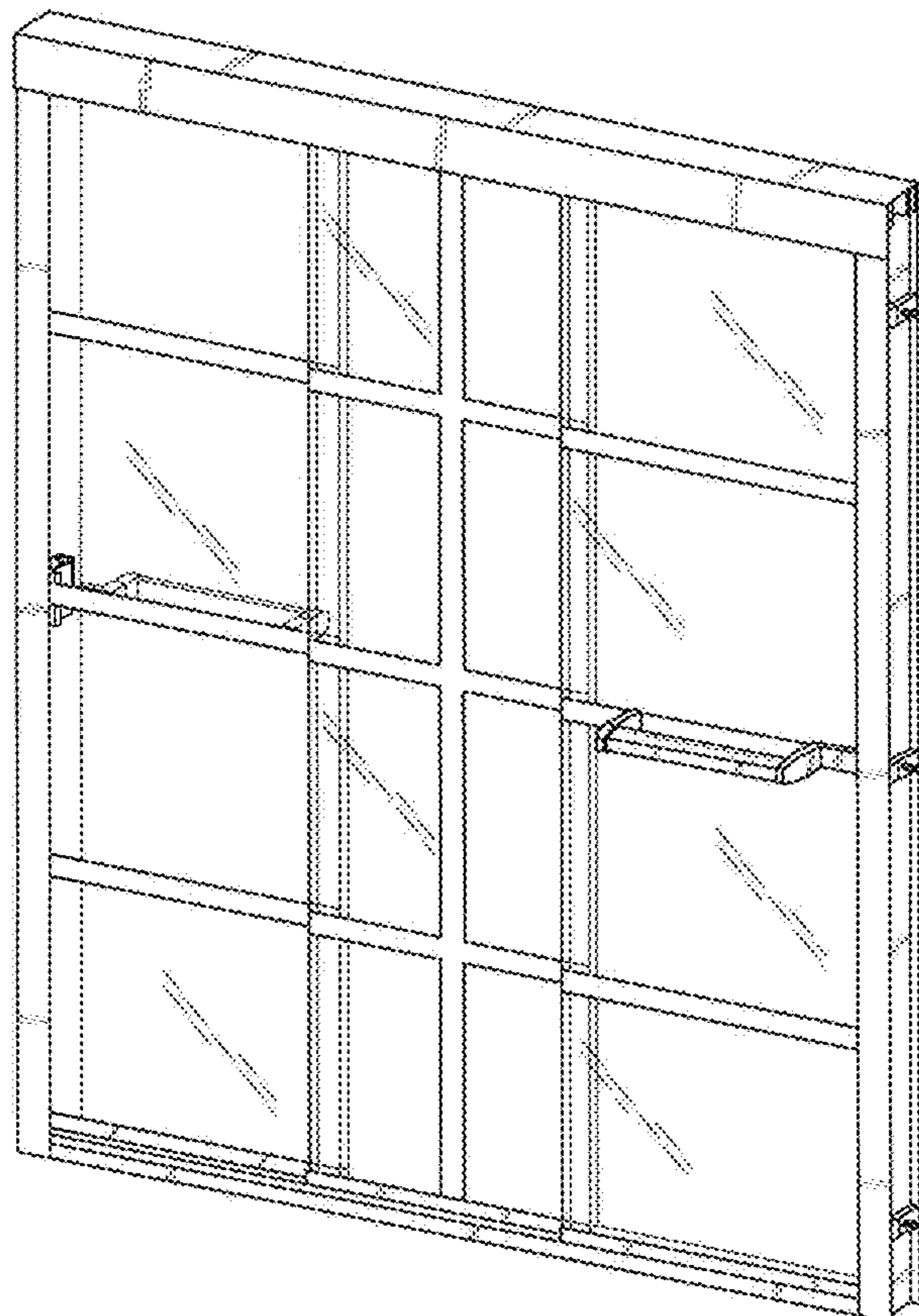
(57) **CLAIM**

The ornamental design for three glass panel shower enclosure, as shown and described.

**DESCRIPTION**

FIG. 1 is a perspective elevational view of the new three panel shower enclosure design;  
FIG. 2 is a front elevational view thereof;  
FIG. 3 is a back elevational view thereof; and,  
FIG. 4 is a side elevational view thereof.

**1 Claim, 4 Drawing Sheets**



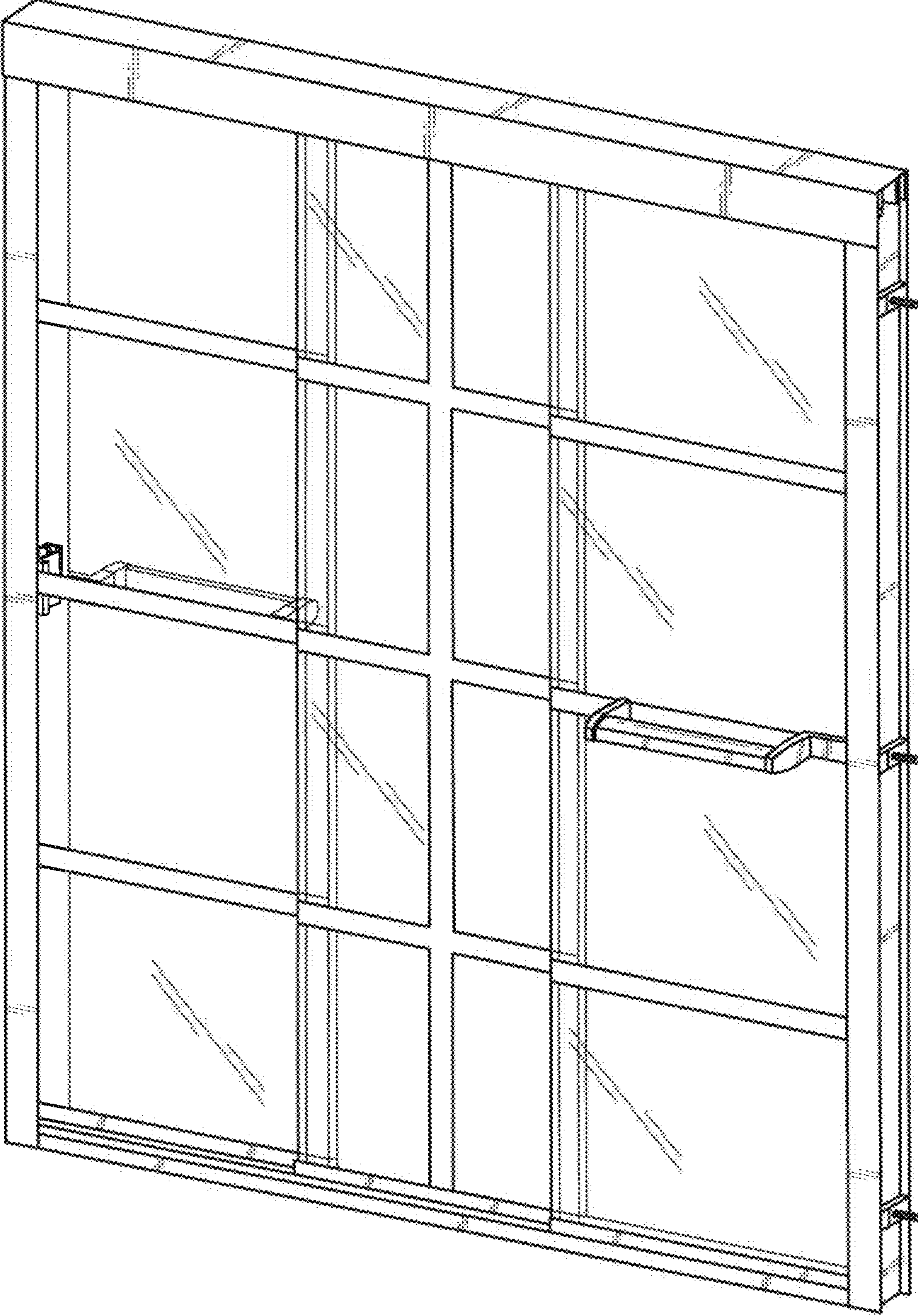


FIG. 1

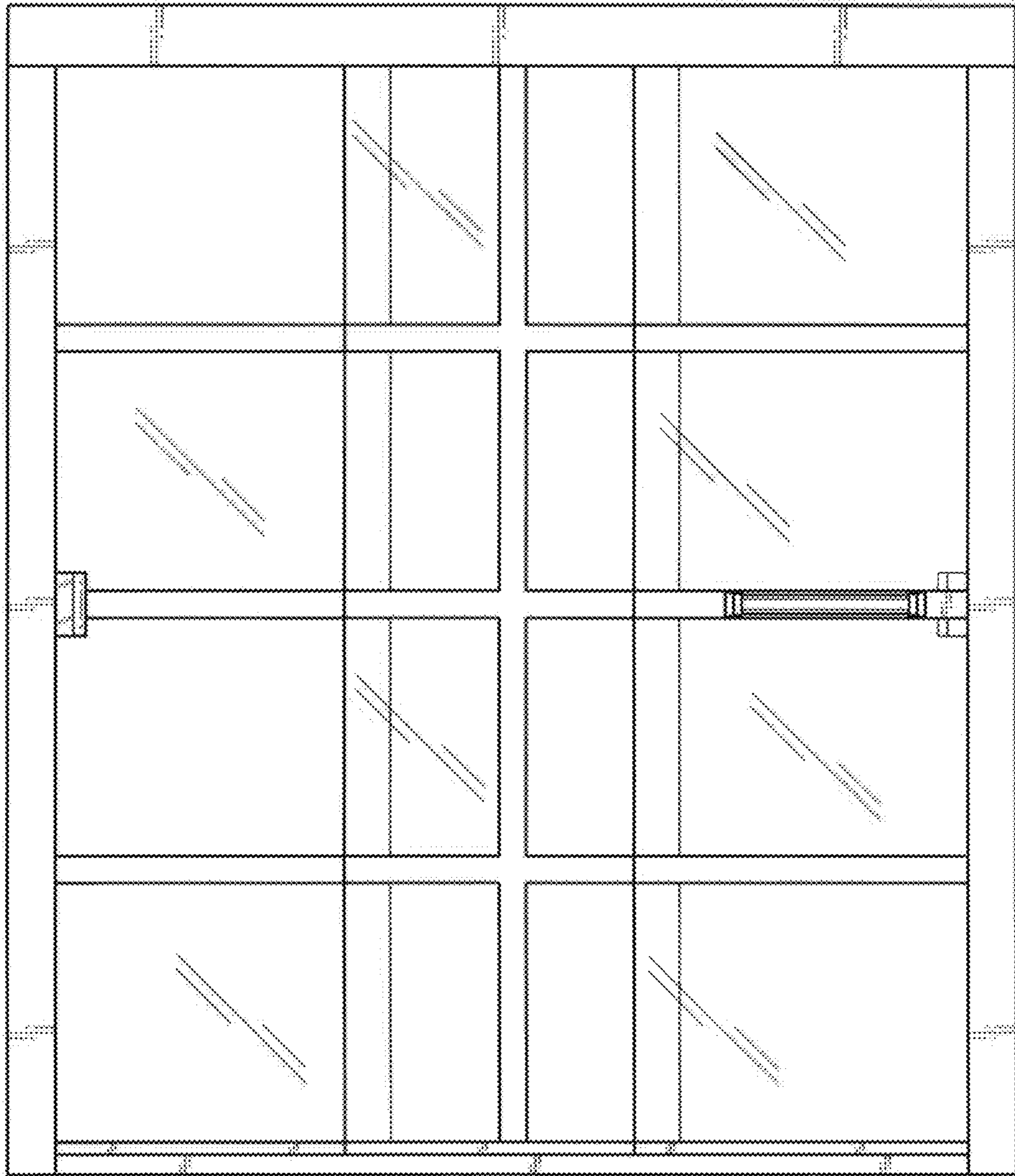


FIG. 2

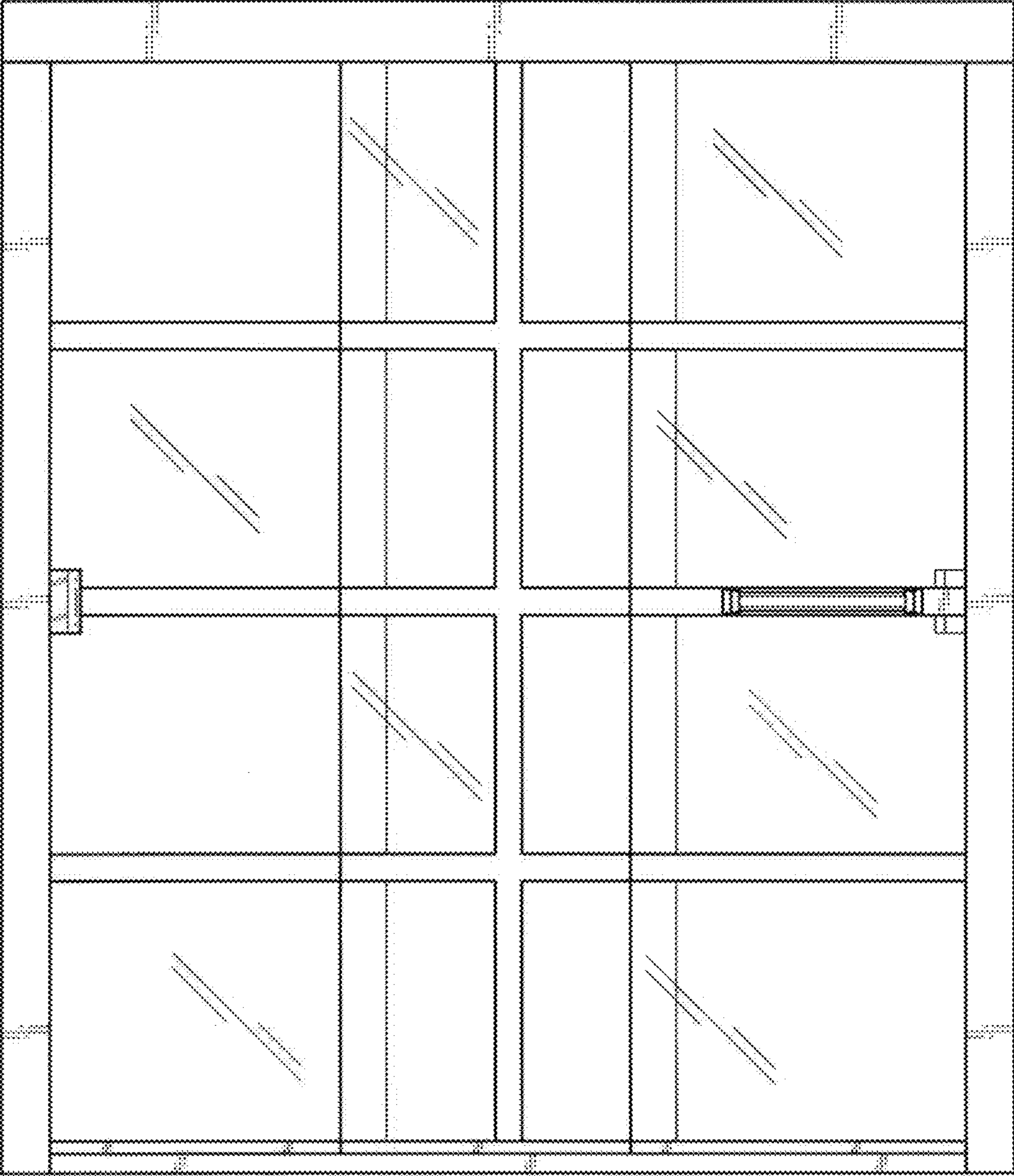


FIG. 3

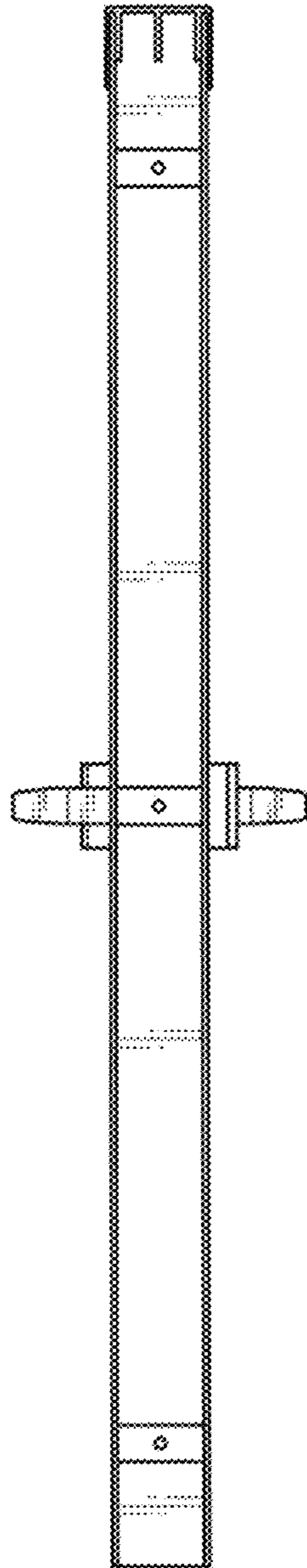


FIG. 4