



US00D978298S

(12) **United States Design Patent**  
**Zhang**

(10) **Patent No.:** **US D978,298 S**

(45) **Date of Patent:** **\*\* Feb. 14, 2023**

(54) **CONSOLE SINK**

D912,226 S 3/2021 Chong et al.  
D914,167 S \* 3/2021 Parisio ..... D23/286  
D933,175 S 10/2021 Han

(71) Applicant: **Cheng Zhang**, Shenzhen (CN)

\* cited by examiner

(72) Inventor: **Cheng Zhang**, Shenzhen (CN)

*Primary Examiner* — Robert A Delehanty

(\*\*) Term: **15 Years**

(74) *Attorney, Agent, or Firm* — Rumi Ranjit Kanakia

(21) Appl. No.: **29/849,576**

(57) **CLAIM**

(22) Filed: **Aug. 12, 2022**

The ornamental design for a console sink, as shown and described.

(51) **LOC (14) Cl.** ..... **23-02**

(52) **U.S. Cl.**  
USPC ..... **D23/286**

**DESCRIPTION**

(58) **Field of Classification Search**  
USPC ..... D23/271, 273, 286, 284, 293.1; D6/664,  
D6/699, 684; D24/234  
See application file for complete search history.

FIG. 1 is a first perspective view of a console sink showing my new design;  
FIG. 2 is a second perspective view thereof;  
FIG. 3 is a front view thereof;  
FIG. 4 is a back view thereof;  
FIG. 5 is a left side view thereof;  
FIG. 6 is a right side view thereof;  
FIG. 7 is a top view thereof; and,  
FIG. 8 is a bottom view thereof.

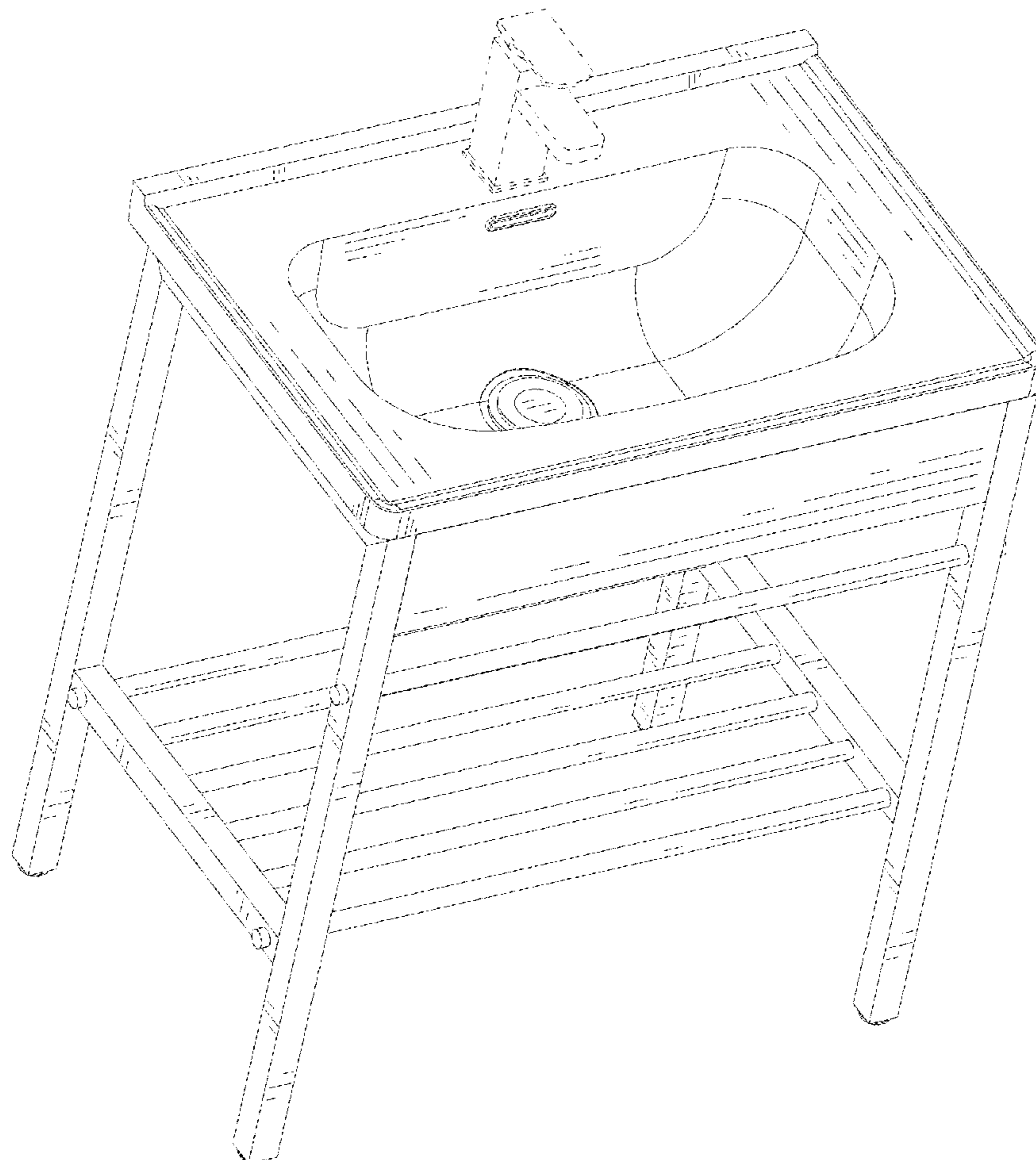
(56) **References Cited**

The broken lines shown in the drawings depict portions of the console sink that form no part of the claimed design.

**U.S. PATENT DOCUMENTS**

D446,575 S \* 8/2001 Ferrer Beltran ..... D23/293.1  
D588,242 S \* 3/2009 Hanna ..... D23/284  
D676,945 S \* 2/2013 Schindler ..... D23/286  
D713,513 S \* 9/2014 Chen ..... D23/284  
D866,727 S 11/2019 Chen et al.

**1 Claim, 8 Drawing Sheets**



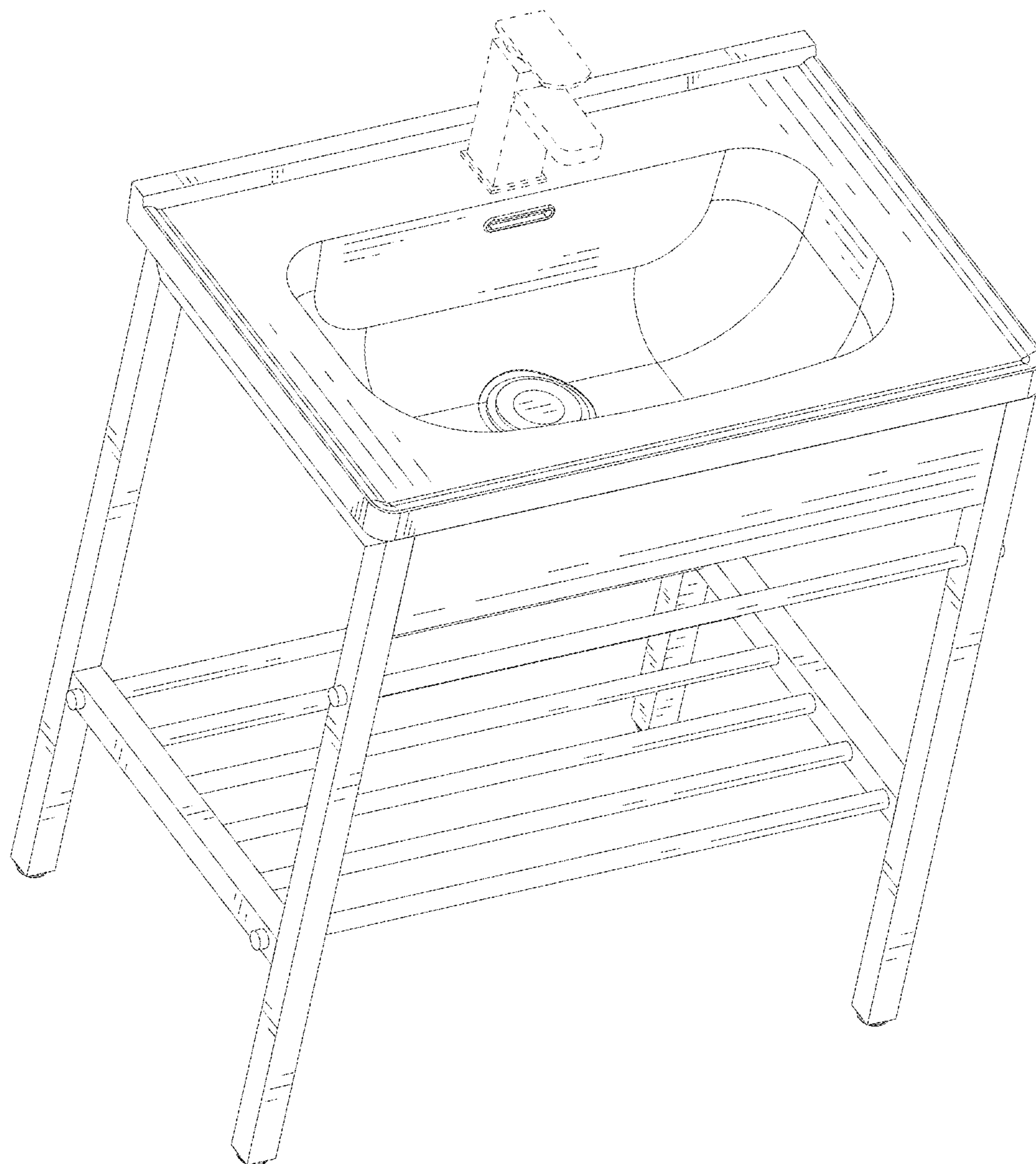


FIG. 1

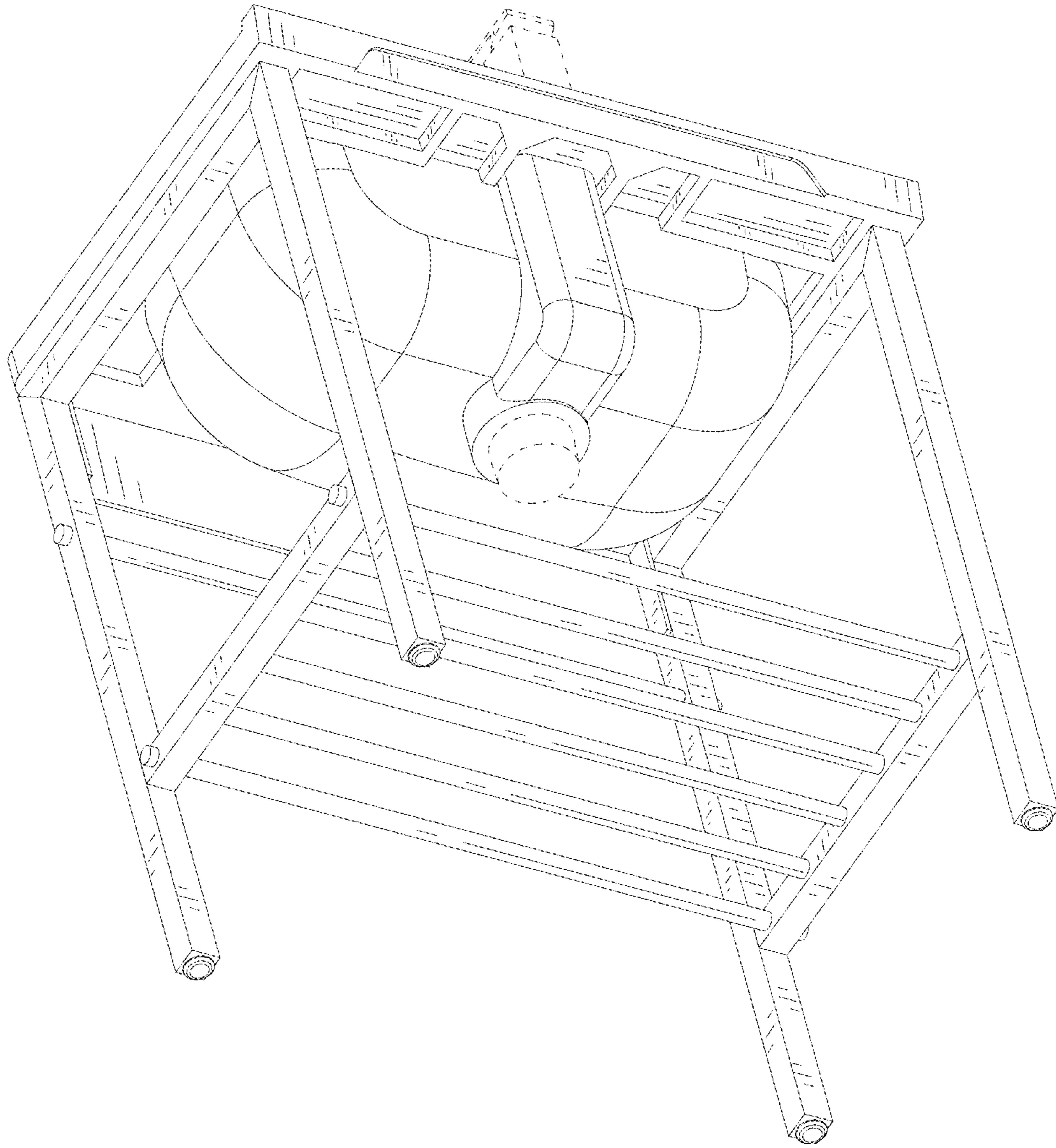


FIG. 2

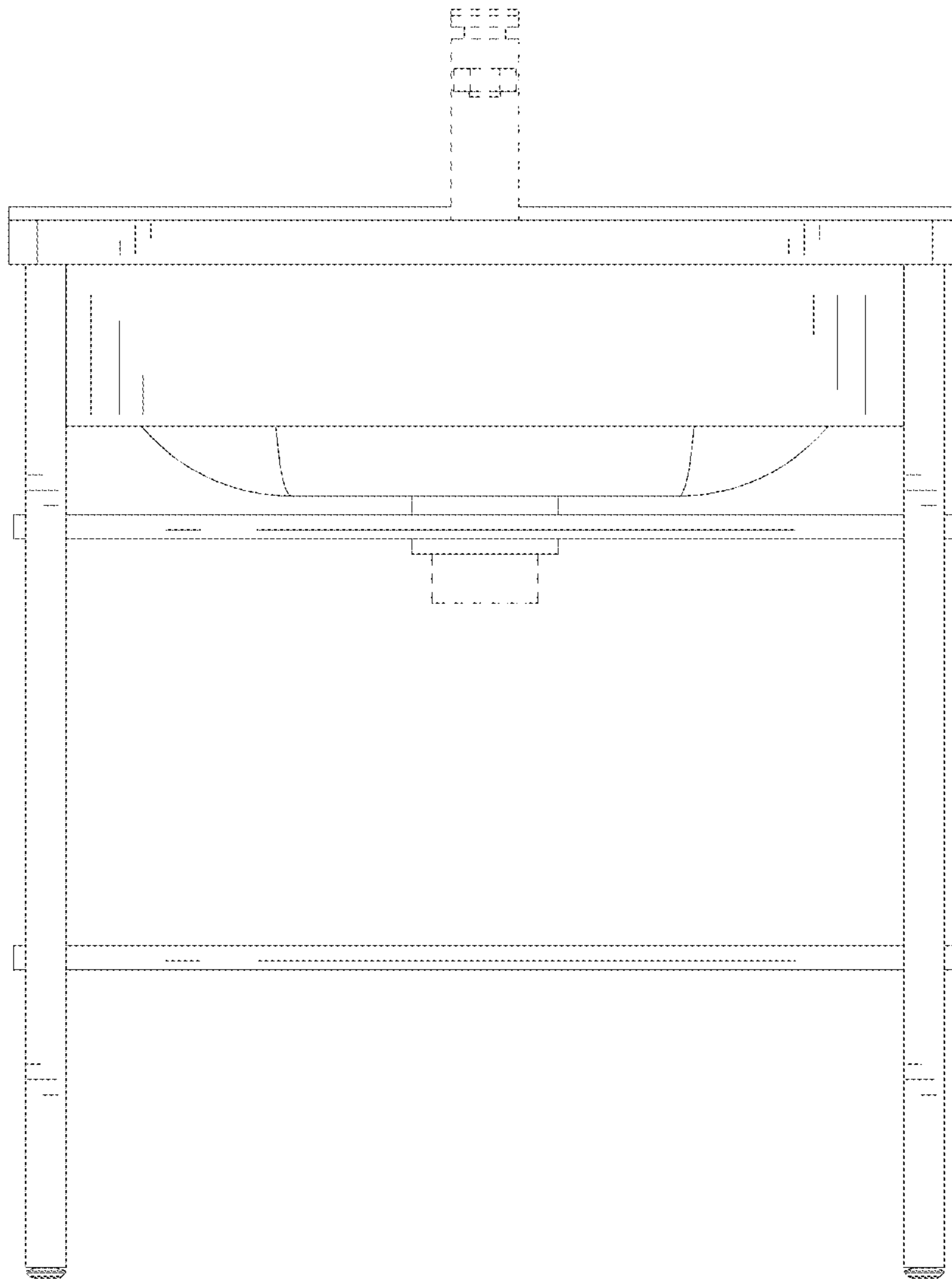


FIG. 3

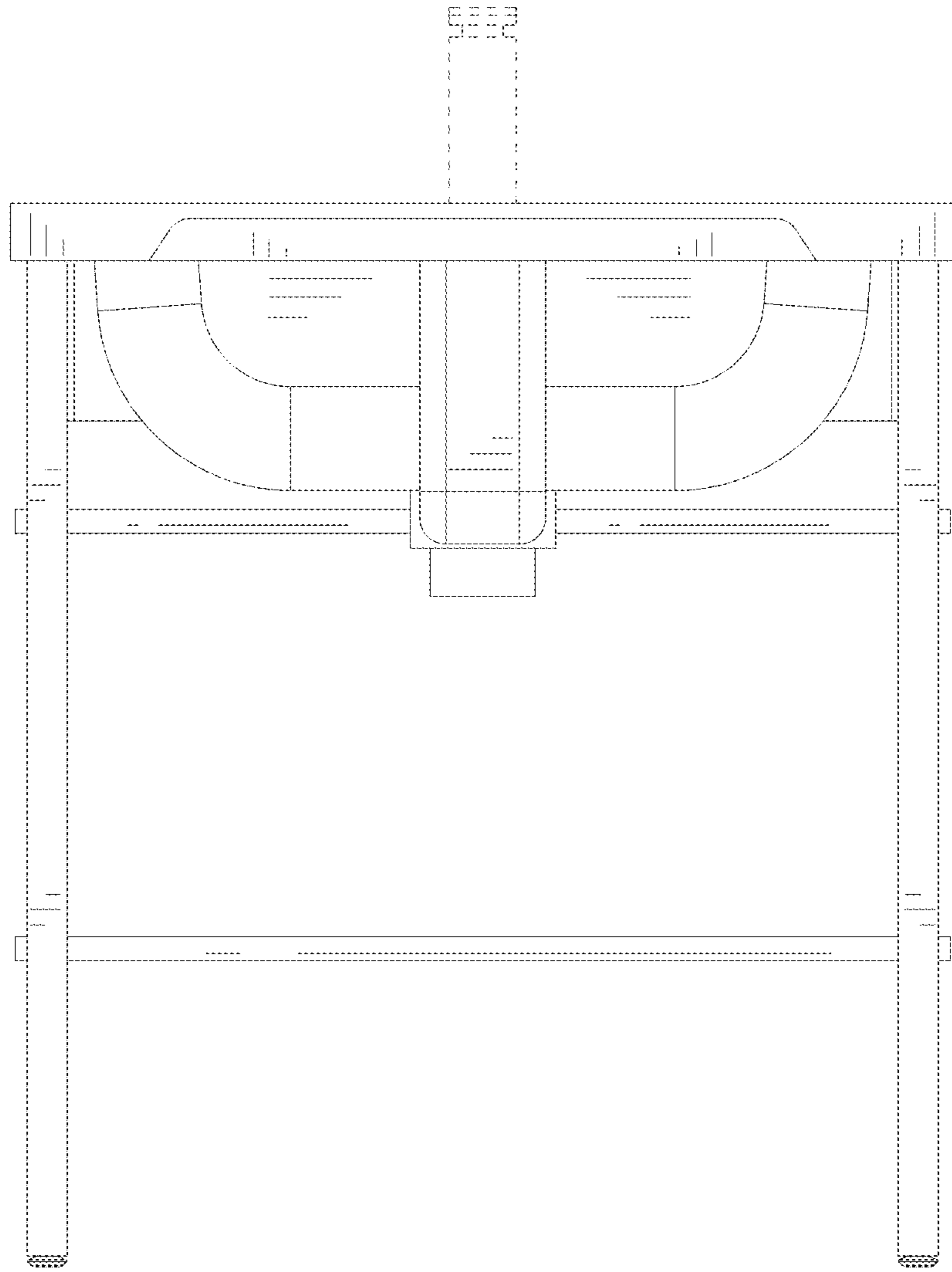


FIG. 4



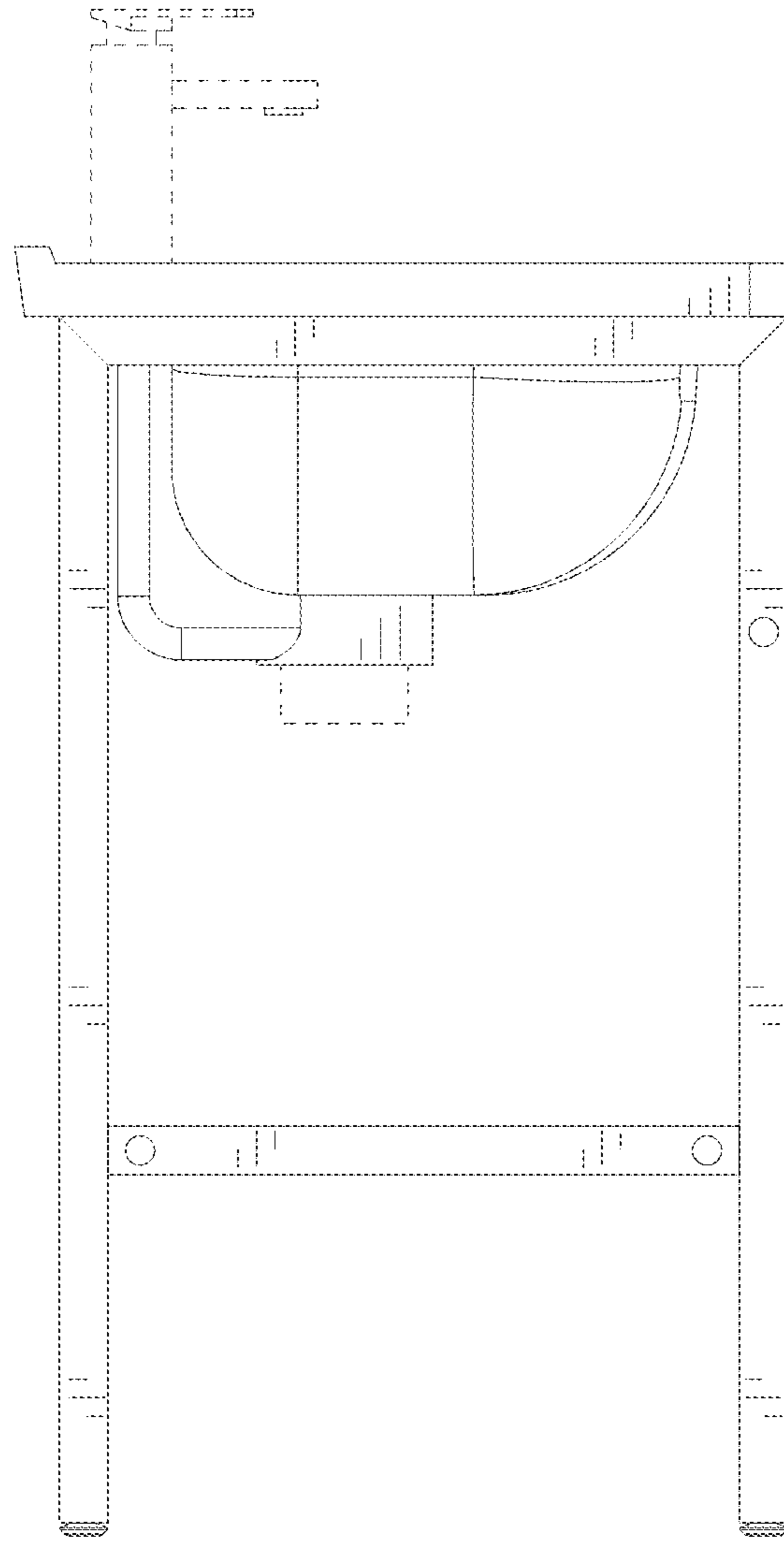


FIG. 5

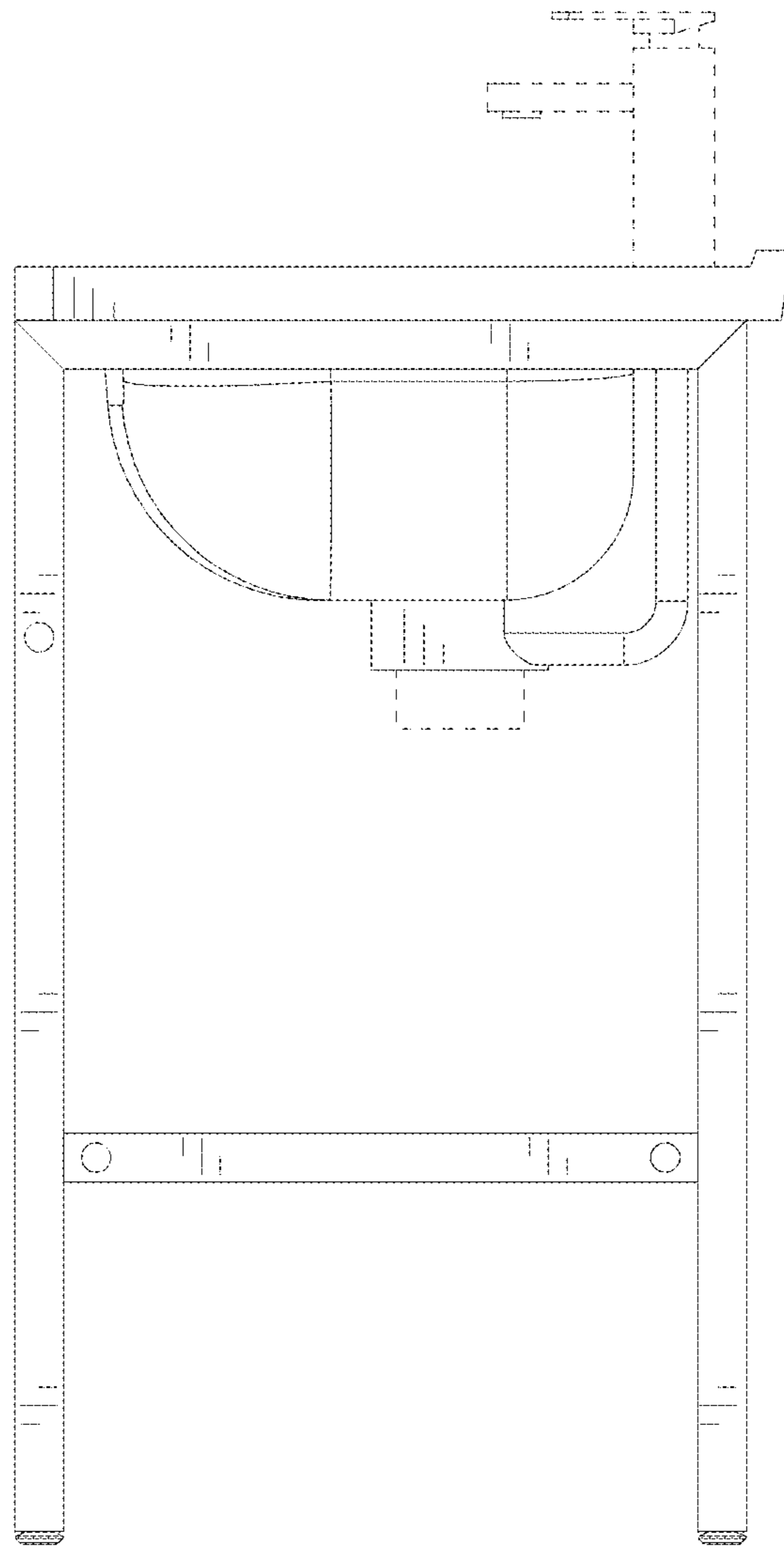


FIG. 6

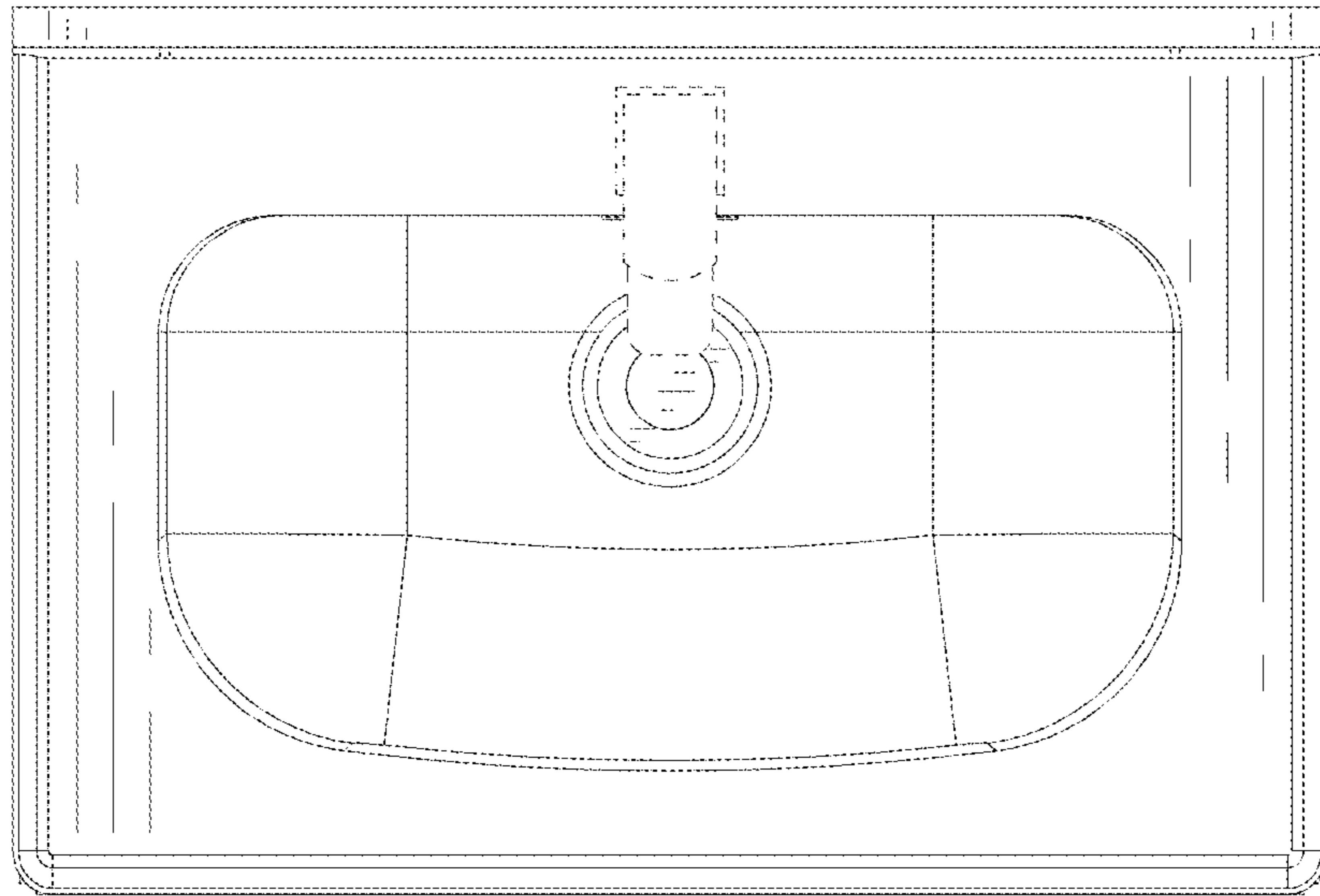


FIG. 7



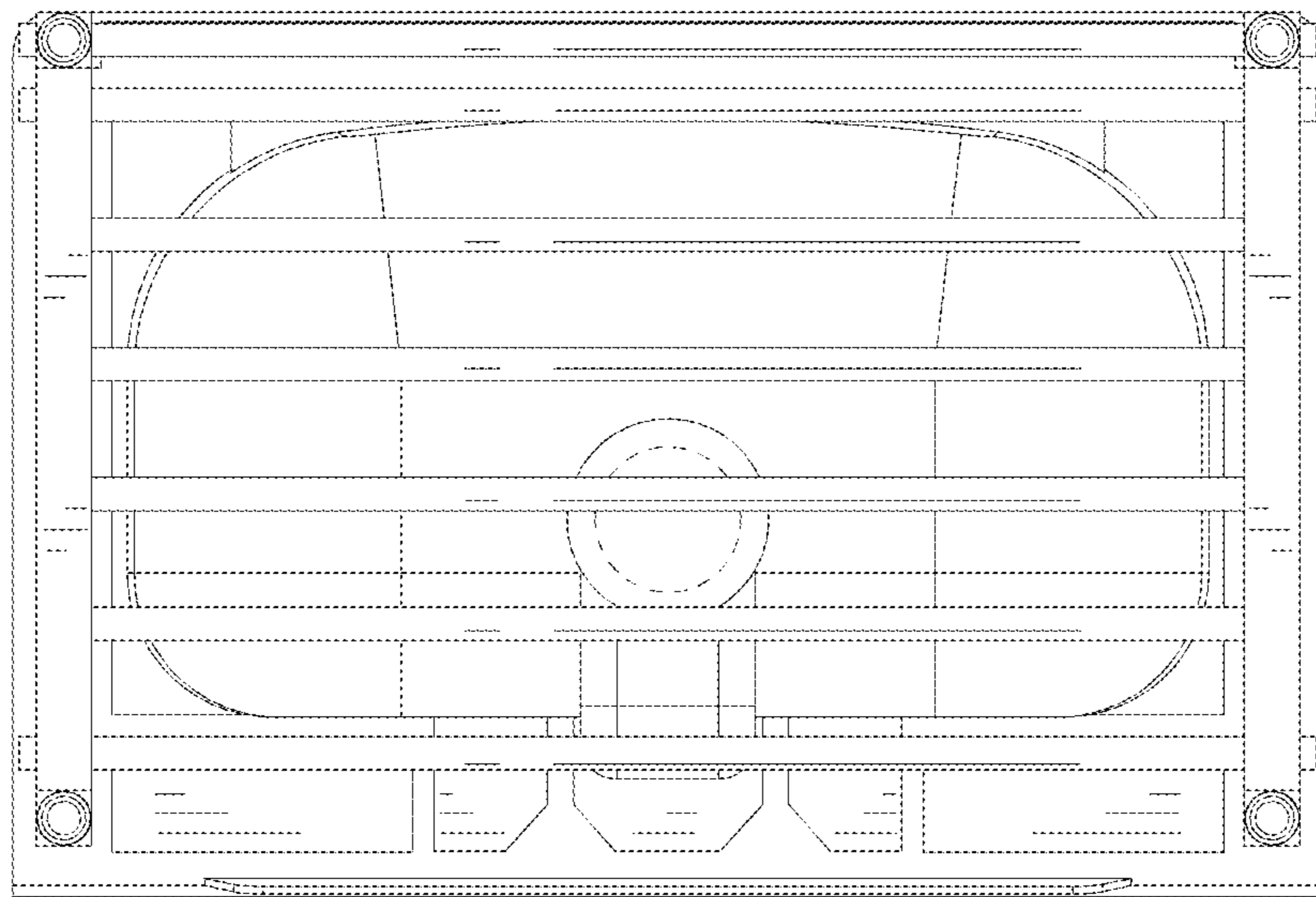


FIG. 8