



US00D978296S

(12) **United States Design Patent**
Woodland et al.

(10) **Patent No.:** **US D978,296 S**

(45) **Date of Patent:** **** Feb. 14, 2023**

(54) **RAIN GUTTER**

(71) Applicants: **Jason McSpadden Woodland**,
Pocatello, ID (US); **Robert Dean Elzner**,
Pocatello, ID (US)

(72) Inventors: **Jason McSpadden Woodland**,
Pocatello, ID (US); **Robert Dean Elzner**,
Pocatello, ID (US)

(**) Term: **15 Years**

(21) Appl. No.: **29/737,476**

(22) Filed: **Jun. 9, 2020**

(51) **LOC (14) Cl.** **23-01**

(52) **U.S. Cl.**
USPC **D23/267**

(58) **Field of Classification Search**
USPC D23/209, 259-261, 267, 387, 393, 397,
D23/412; D25/41.1, 119-125, 136;
D8/376, 377
CPC ... E04D 13/08; E04D 13/064; E04D 13/0646;
E04D 13/0725; E04D 13/0727; E04B
2/78; E04C 2/38; E04C 3/02; E04C 3/30;
E04F 11/181; E04F 13/0826
See application file for complete search history.

(56) **References Cited**

U.S. PATENT DOCUMENTS

3,325,038 A * 6/1967 Ferney E04D 13/08
248/214
3,612,453 A * 10/1971 Zimmer E04D 13/0727
248/48.2

D301,165 S * 5/1989 Rose D23/267
5,845,435 A * 12/1998 Knudson E04D 13/0725
248/48.1
D468,812 S * 1/2003 Doyle D23/267
D586,437 S * 2/2009 Cangialosi D23/267
D793,540 S * 8/2017 Adams D23/267
2007/0119104 A1* 5/2007 Pijanowski E04D 13/064
52/11

* cited by examiner

Primary Examiner — Gino Colan
Assistant Examiner — David OBrien

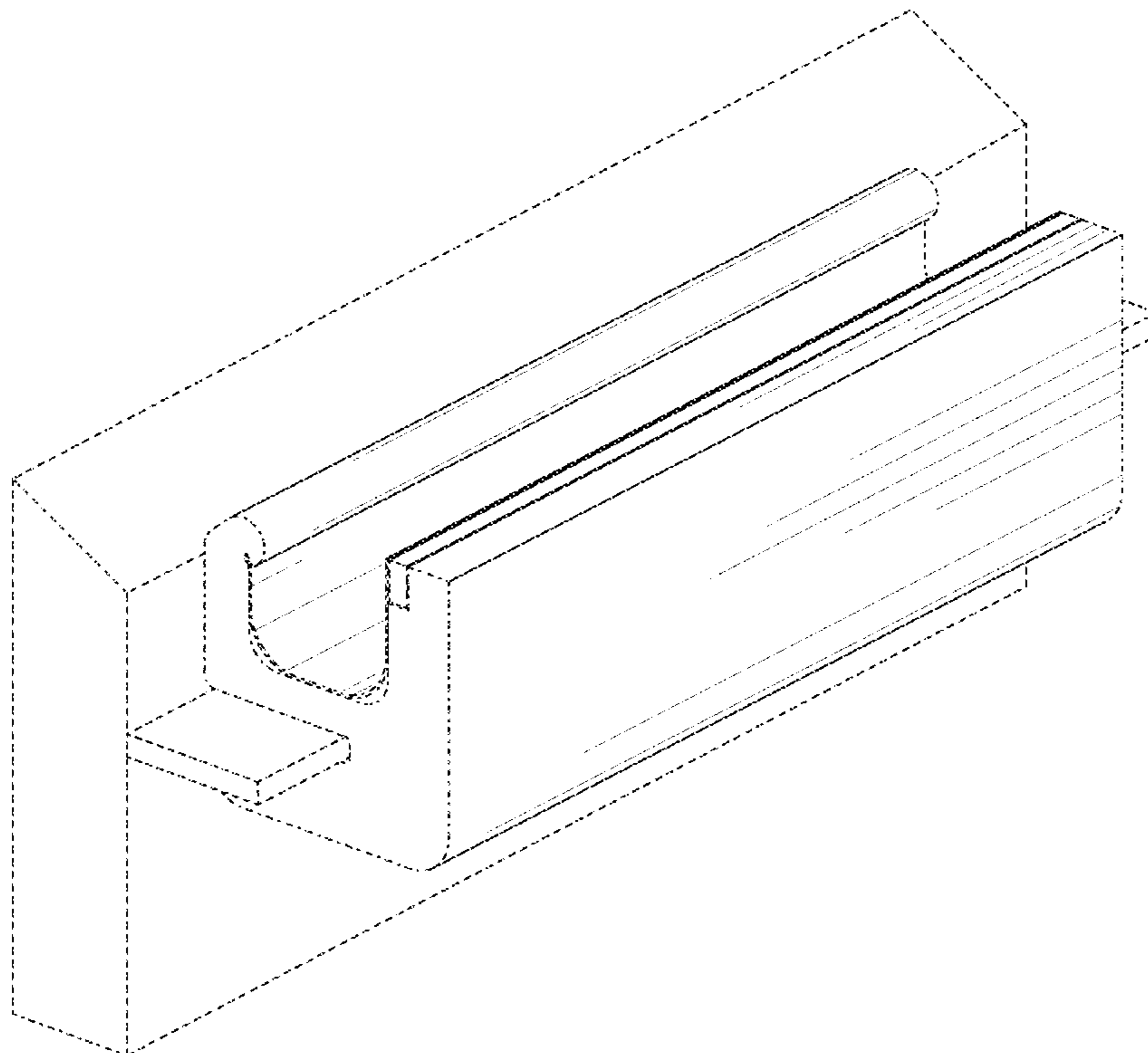
(57) **CLAIM**

The ornamental design for a rain gutter, as shown and described.

DESCRIPTION

FIG. 1 is a perspective view of a rain gutter, showing our new design;
FIG. 2 is a rear elevational view thereof;
FIG. 3 is a front elevational view thereof;
FIG. 4 is a top plan view thereof;
FIG. 5 is a bottom plan view thereof; and,
FIG. 6 is a cross-sectional view thereof, taken along lines 6-6 of FIG. 4.
The regular broken lines showing a roof and support board in FIG. 1 depict environmental matter and form no part of the claimed design. The remaining dot-dash broken lines represent a boundary of the design.

1 Claim, 4 Drawing Sheets



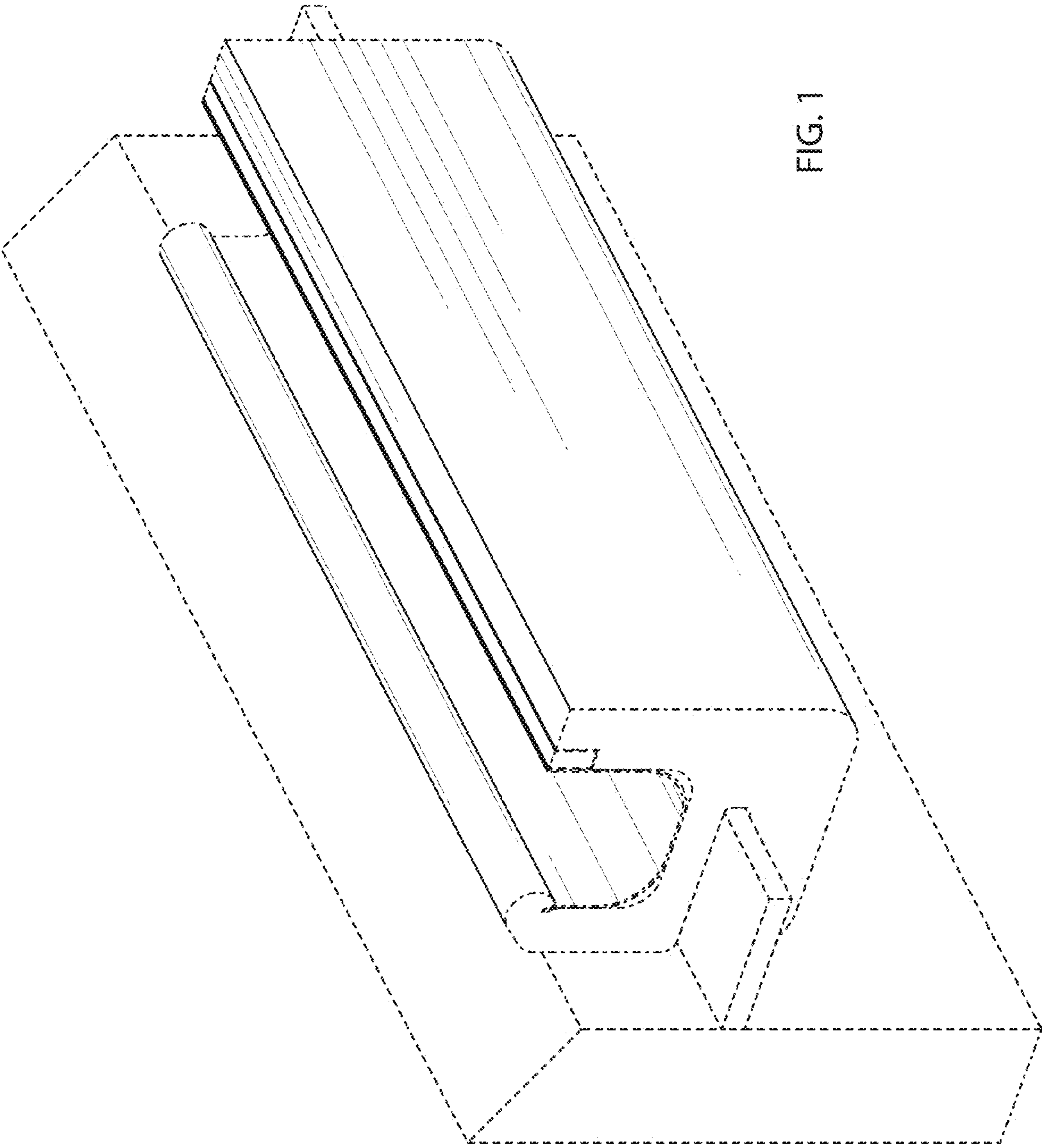


FIG. 1

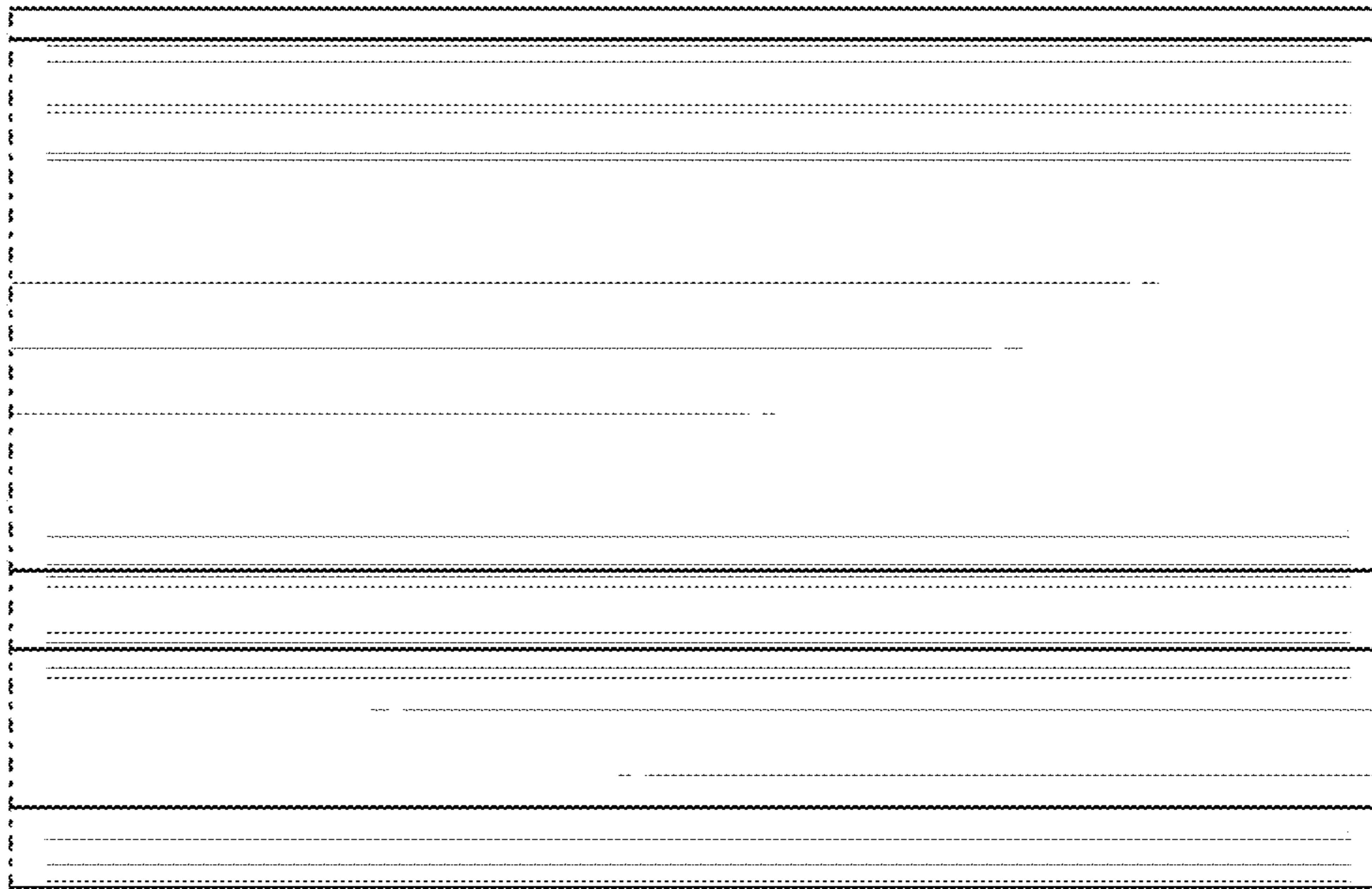


FIG. 2

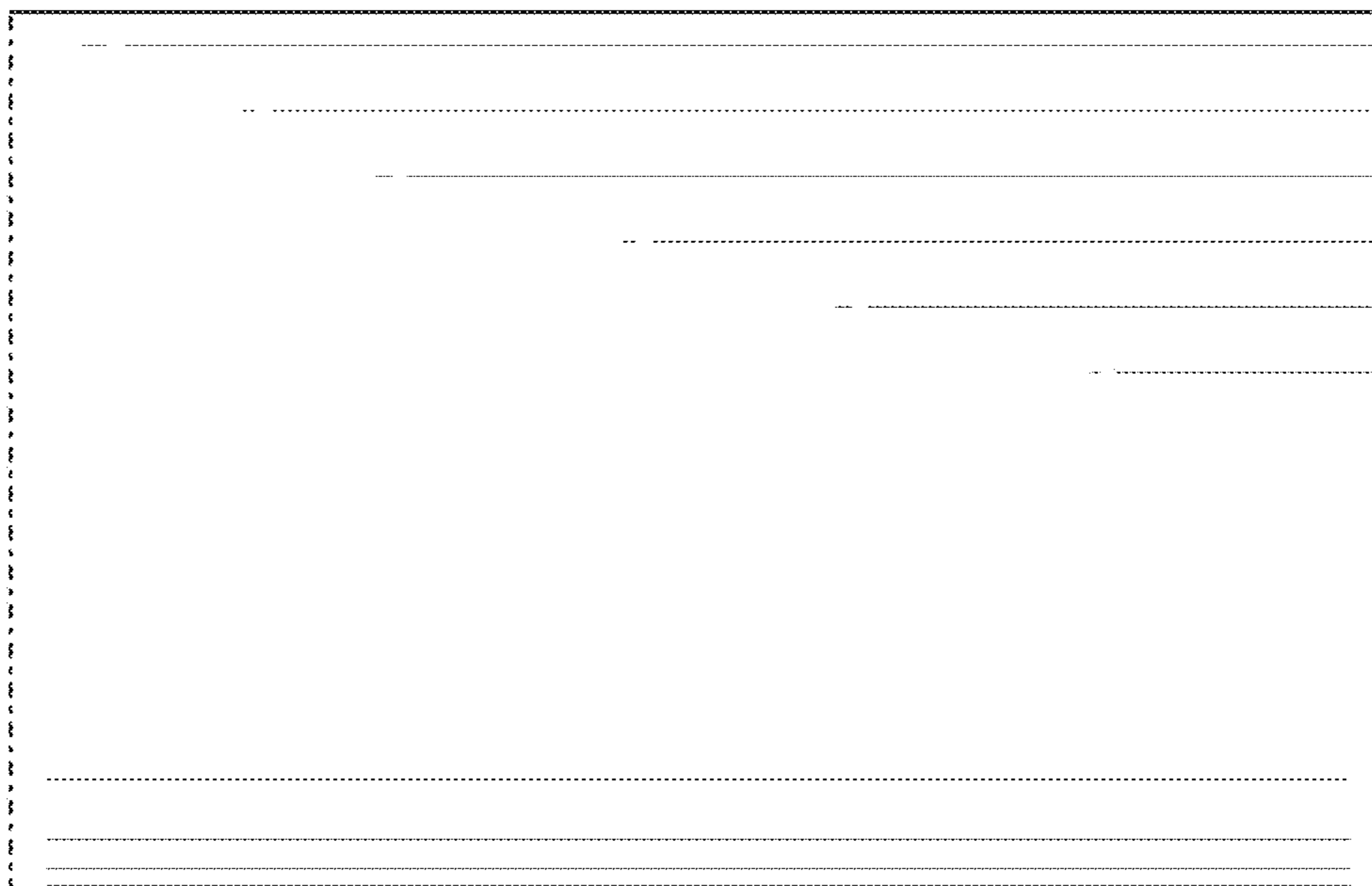
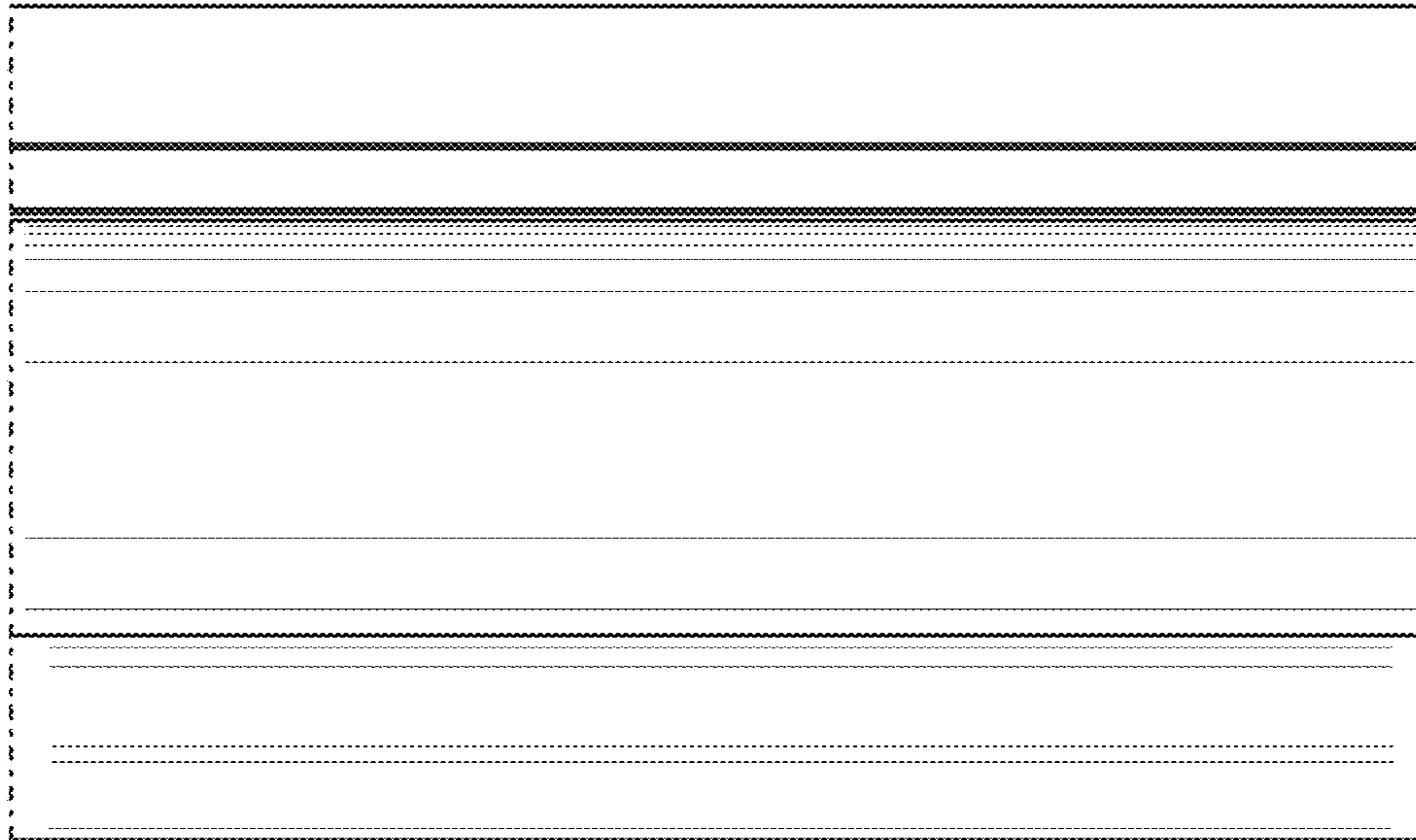


FIG. 3

→ 6



→ 6

FIG. 4

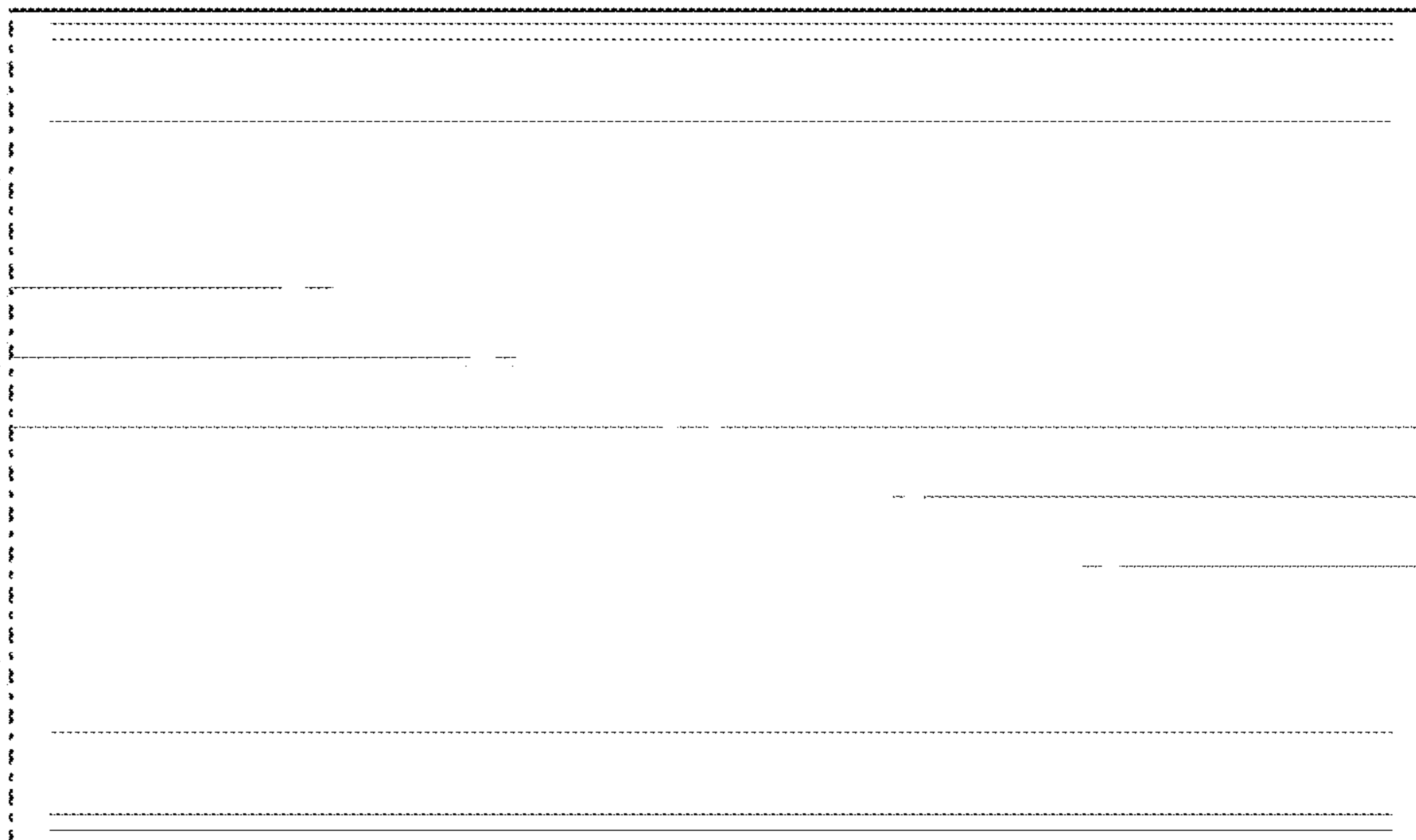


FIG. 5

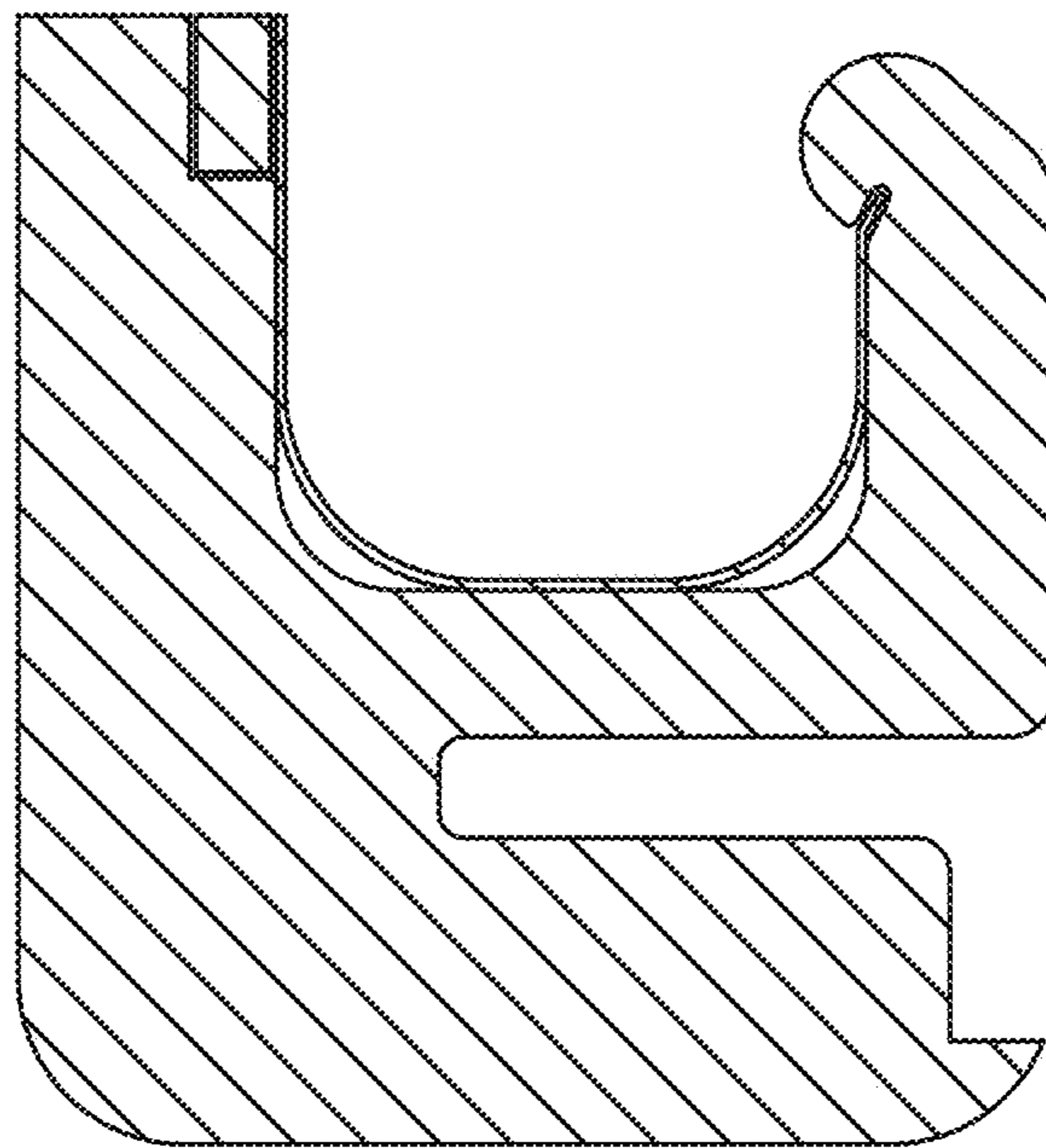


FIG. 6