



US00D978294S

(12) **United States Design Patent** (10) **Patent No.:** **US D978,294 S**
Salamon (45) **Date of Patent:** **** Feb. 14, 2023**

(54) **FAUCET HANDLE**
(71) Applicant: **DELTA FAUCET COMPANY,**
Indianapolis, IN (US)
(72) Inventor: **Szymon Salamon,** Naperville, IL (US)
(73) Assignee: **DELTA FAUCET COMPANY,**
Indianapolis, IN (US)
(**) Term: **15 Years**
(21) Appl. No.: **29/775,338**
(22) Filed: **Mar. 23, 2021**
(51) **LOC (14) Cl.** **23-01**
(52) **U.S. Cl.**
USPC **D23/250**
(58) **Field of Classification Search**
USPC D23/238-243, 249-250, 252;
D8/307-308, 300, 310; D7/393
See application file for complete search history.

D541,619 S * 5/2007 Ricereto D8/307
D903,055 S * 11/2020 Seum D23/254
D939,315 S * 12/2021 Simard D23/250

OTHER PUBLICATIONS

Eurocube® Chrome Faucet Trim by Grohe; Perigold https://www.perigold.com/GROHE--Eurocube%C2%AE-Volume-Control-Faucet-Trim-Only-19910000-L613-K~GRH4284.html?refid=GX261885489264-GRH4284&device=c&ptid=402843704761&targetid=pla-402843704761&ireid=14327568&gclid=EAlalQobChMlhZ6Zg8ig-AIV7PzjBx1gdQ8aEAWYASABEgl46_D_BwE (Year: 2022).*

* cited by examiner

Primary Examiner — Robert A Delehanty
(74) *Attorney, Agent, or Firm* — Jeffrey L. Doyle

(57) **CLAIM**

The ornamental design for a faucet handle, as shown and described.

DESCRIPTION

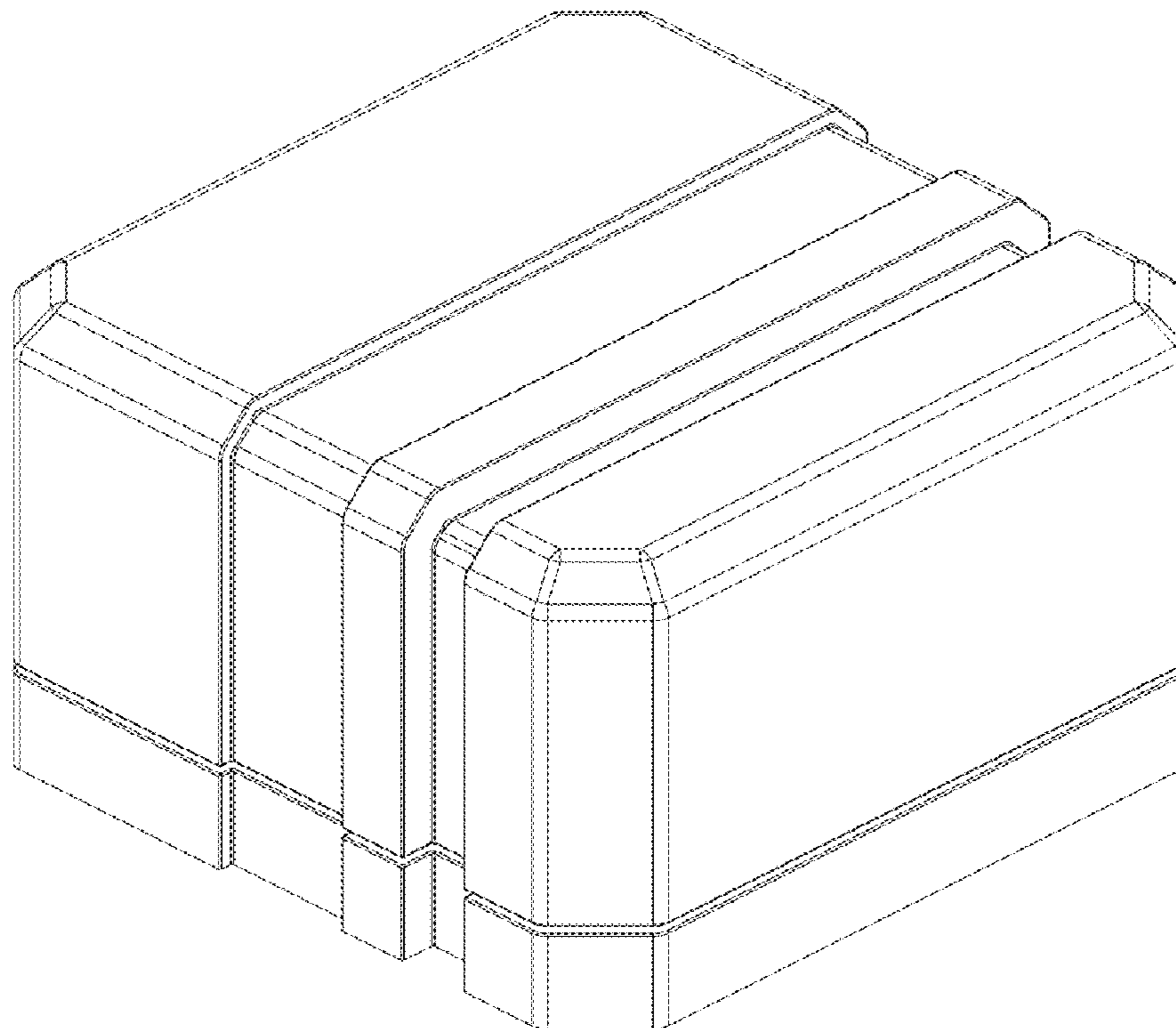
FIG. 1 is a front perspective view of a faucet handle showing my new design;
FIG. 2 is a rear perspective view thereof;
FIG. 3 is a front elevational view thereof;
FIG. 4 is a left side view thereof;
FIG. 5 is a rear view thereof;
FIG. 6 is a right side view thereof;
FIG. 7 is a top plan view thereof; and,
FIG. 8 is a bottom view thereof.

1 Claim, 4 Drawing Sheets

(56) **References Cited**

U.S. PATENT DOCUMENTS

D224,225 S * 7/1972 Doman D23/250
D276,065 S * 10/1984 Stairs, Jr. D23/250
D280,437 S * 9/1985 Rademacher D23/242
D285,827 S * 9/1986 Hill D23/250
D287,045 S * 12/1986 Yost D23/250
D290,161 S * 6/1987 Paul D23/242
D299,198 S * 1/1989 Gregory D6/542
D316,591 S * 4/1991 Ragonot D23/250



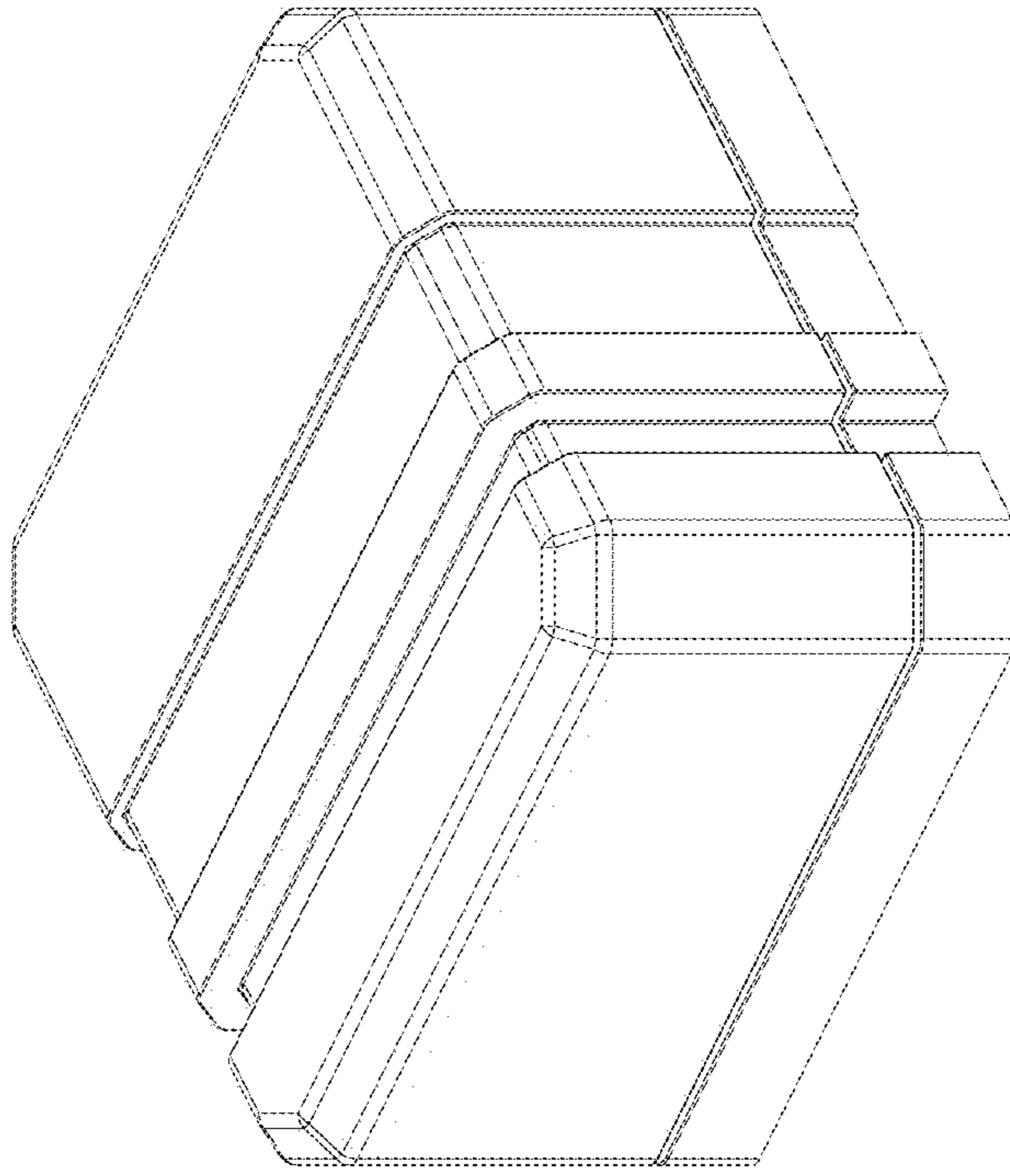


FIG - 2

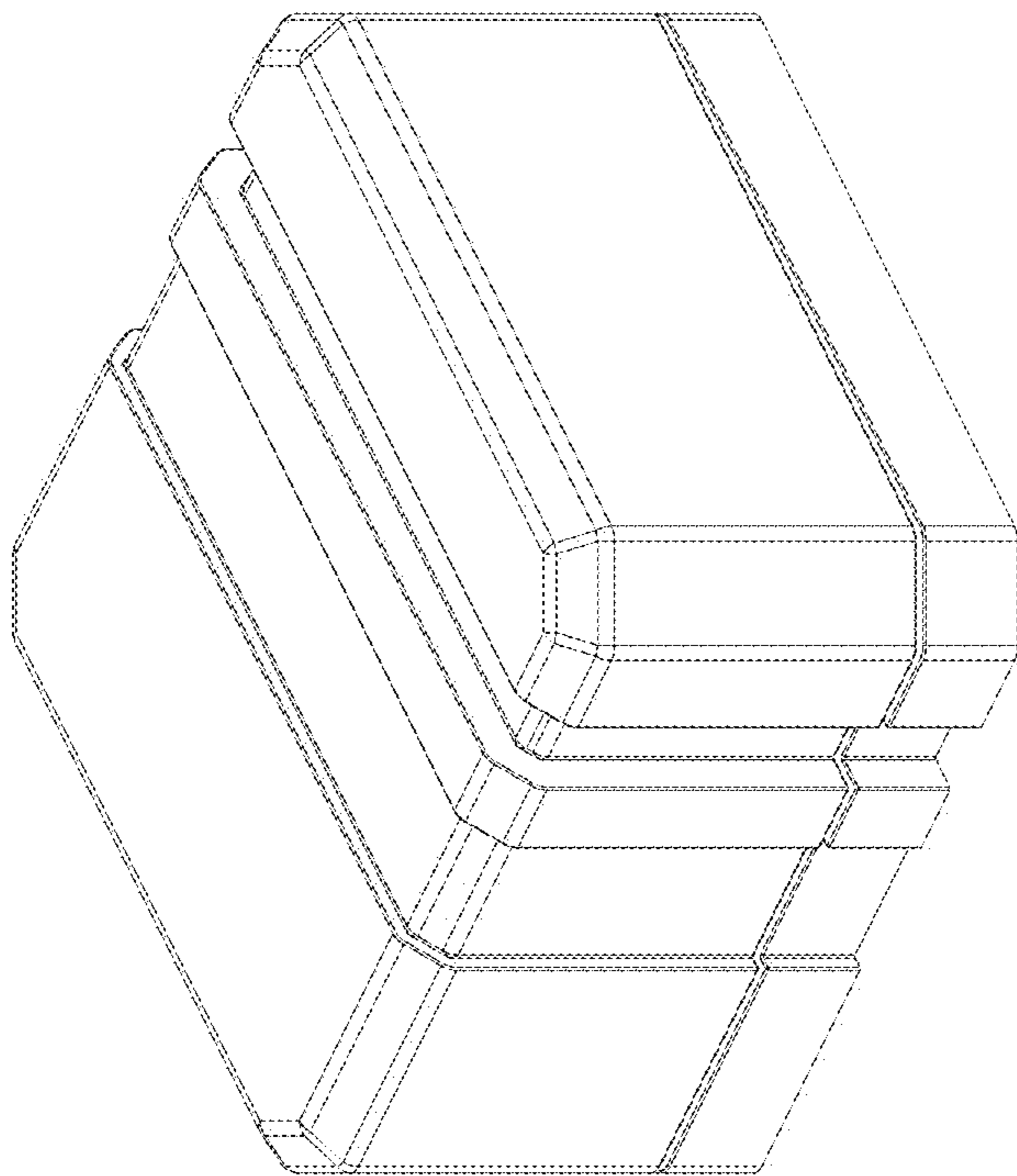


FIG - 1

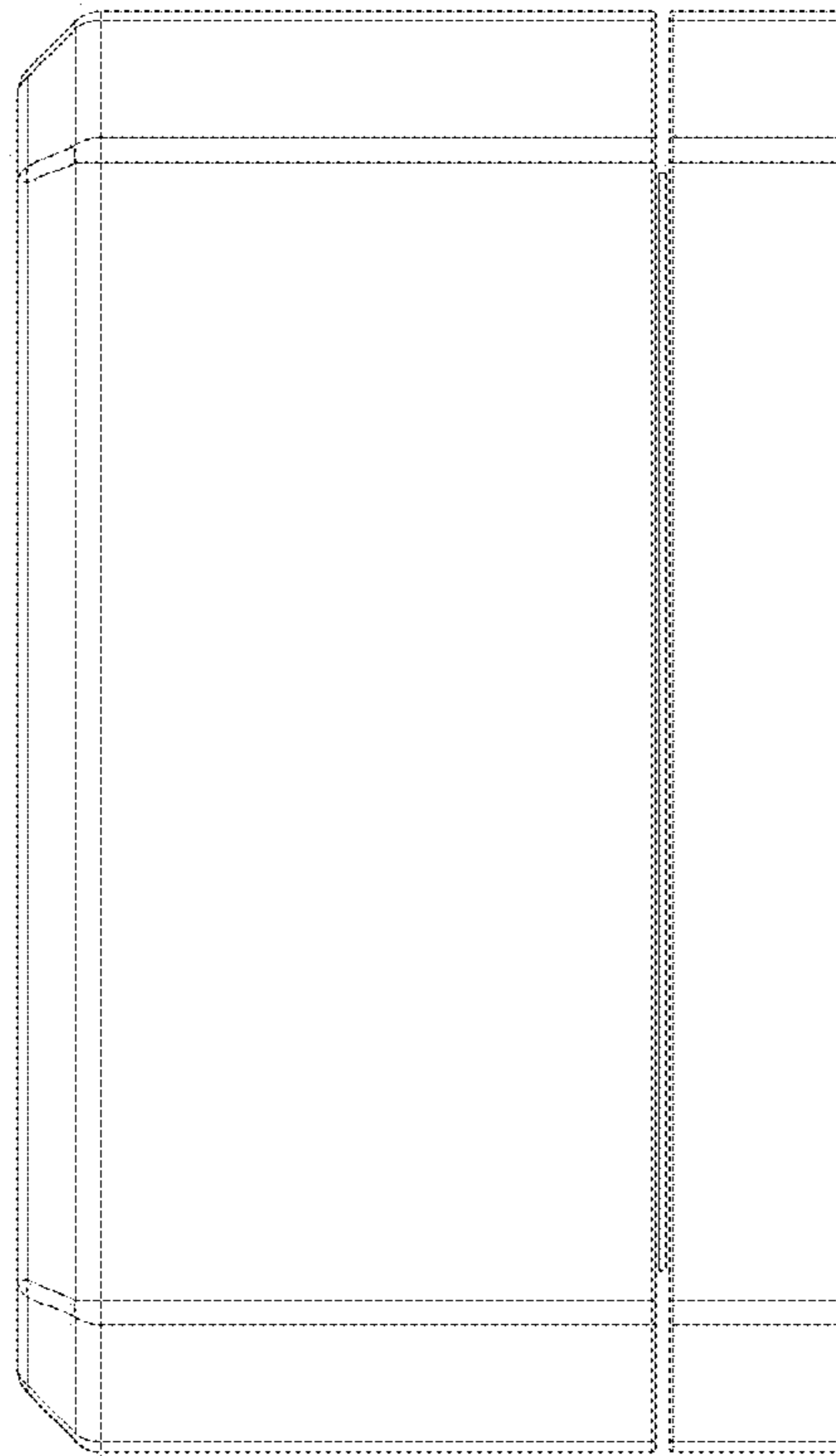


FIG - 4

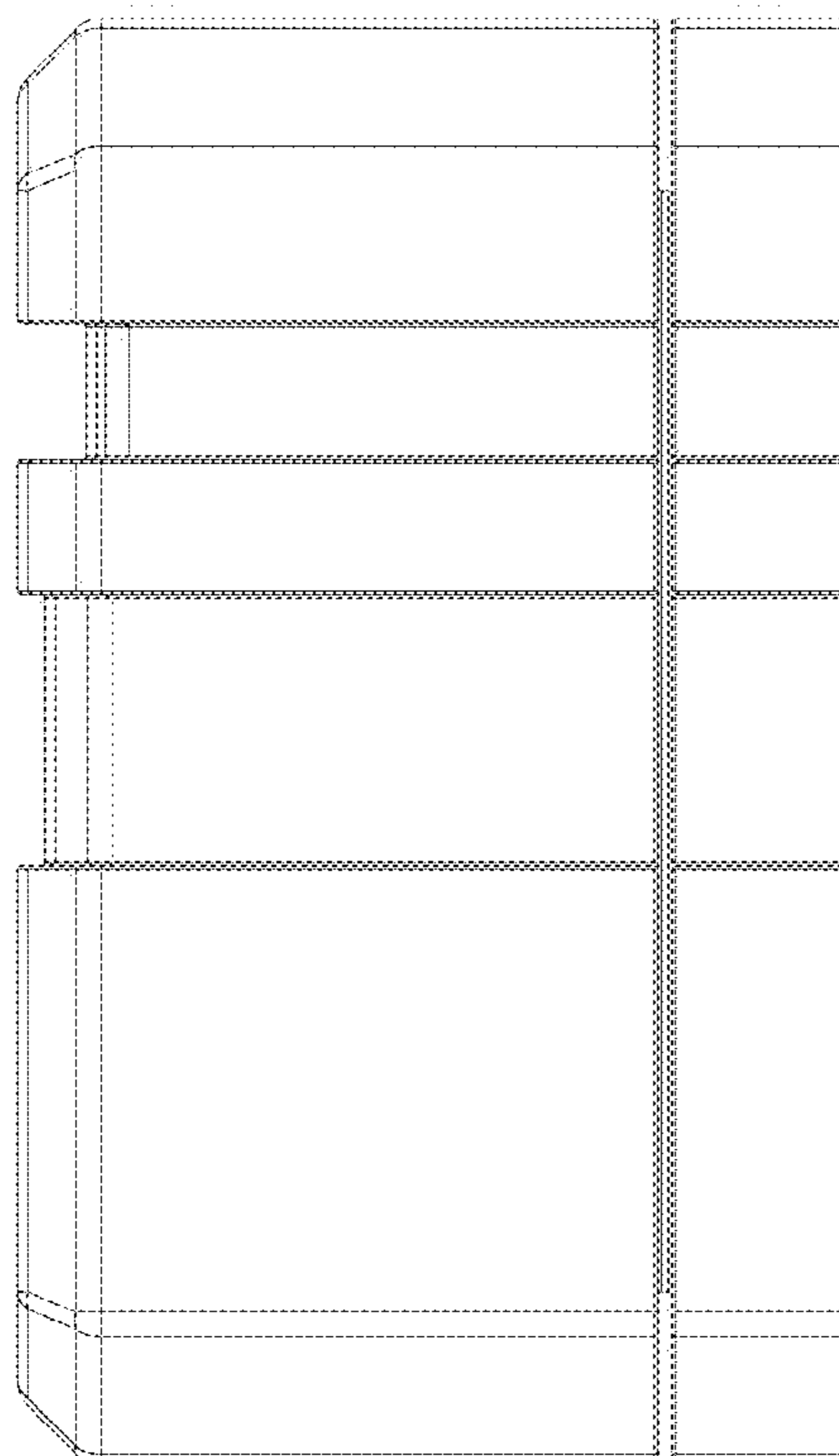


FIG - 3

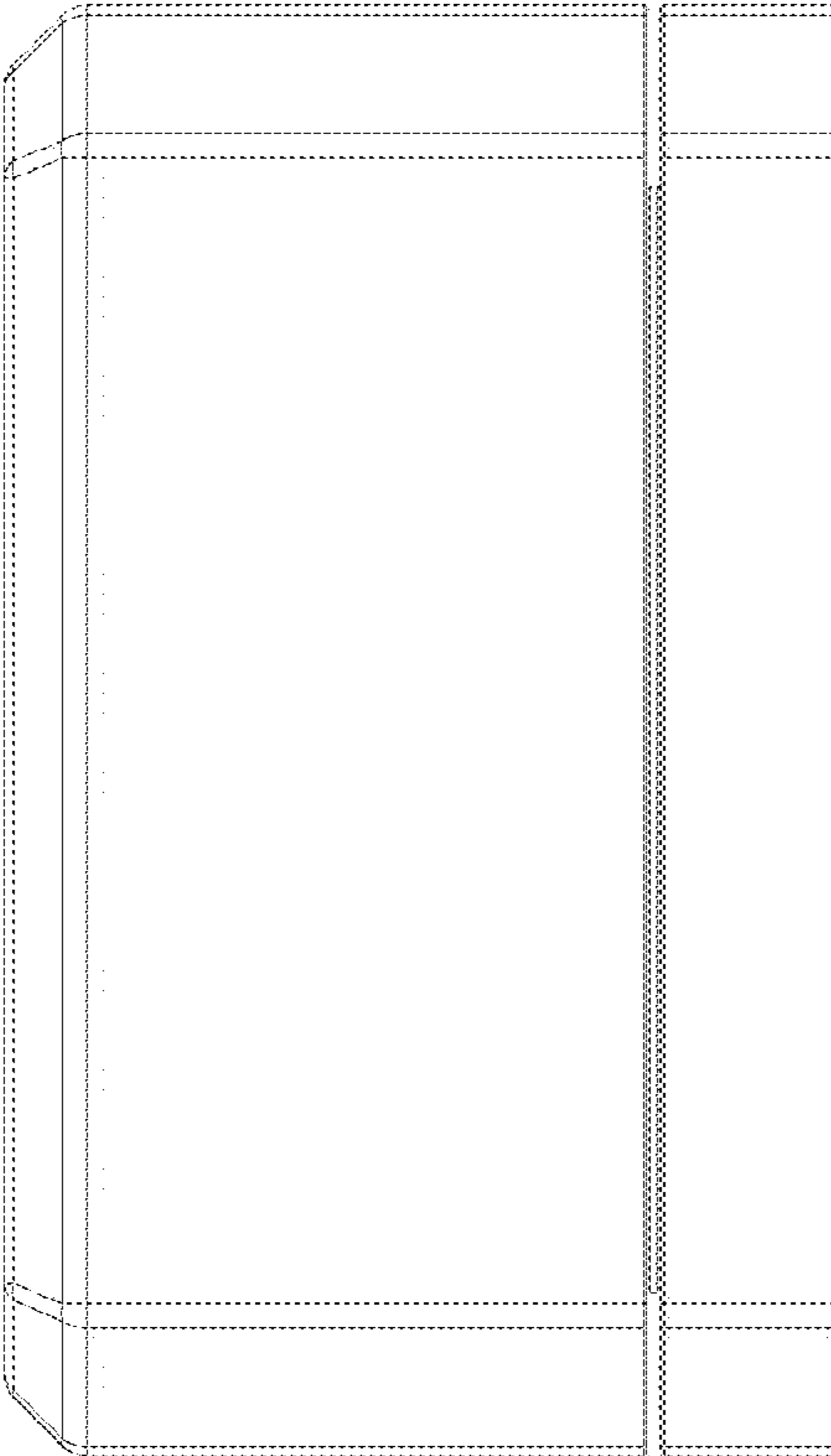


FIG - 6

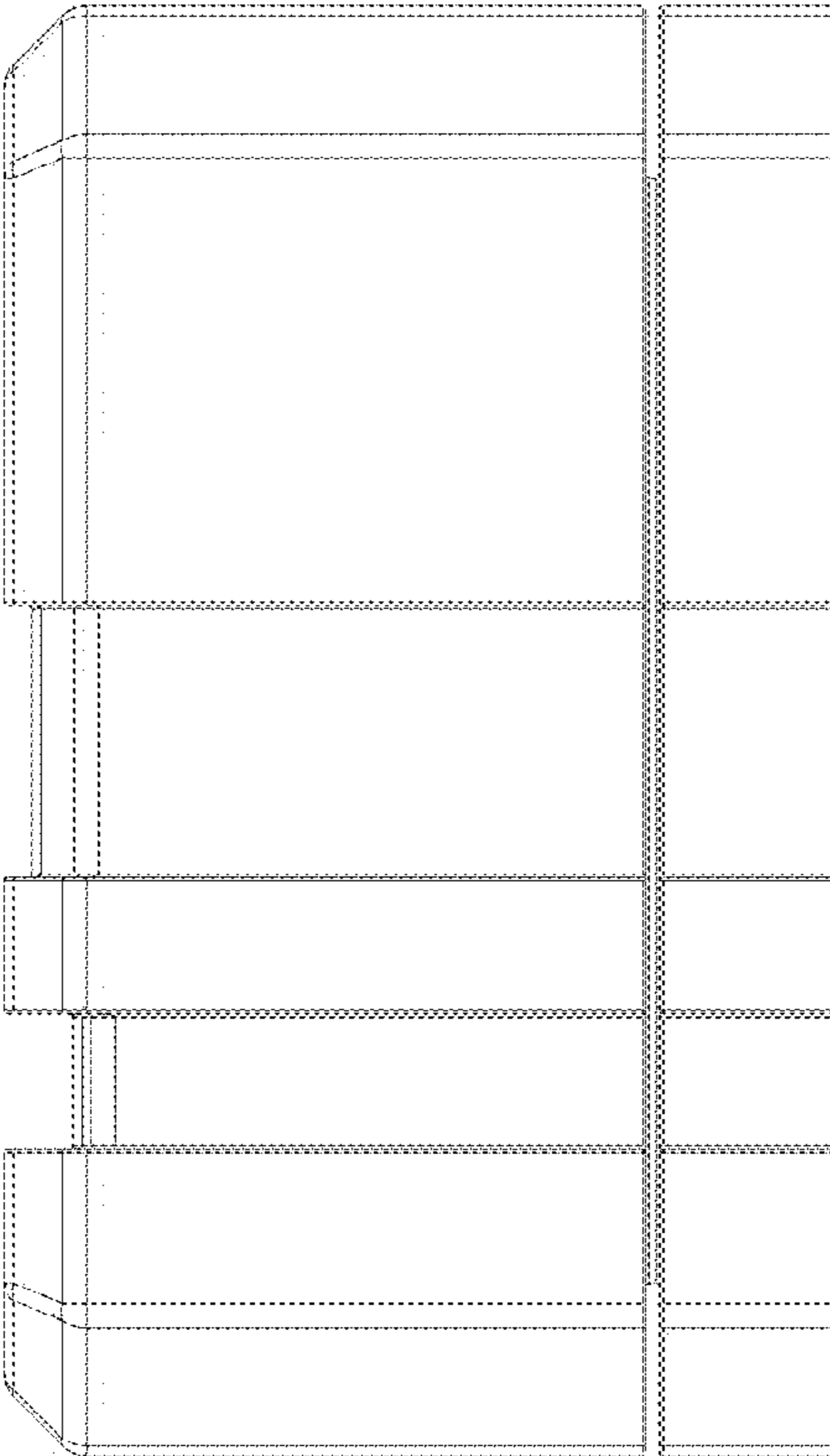


FIG - 5

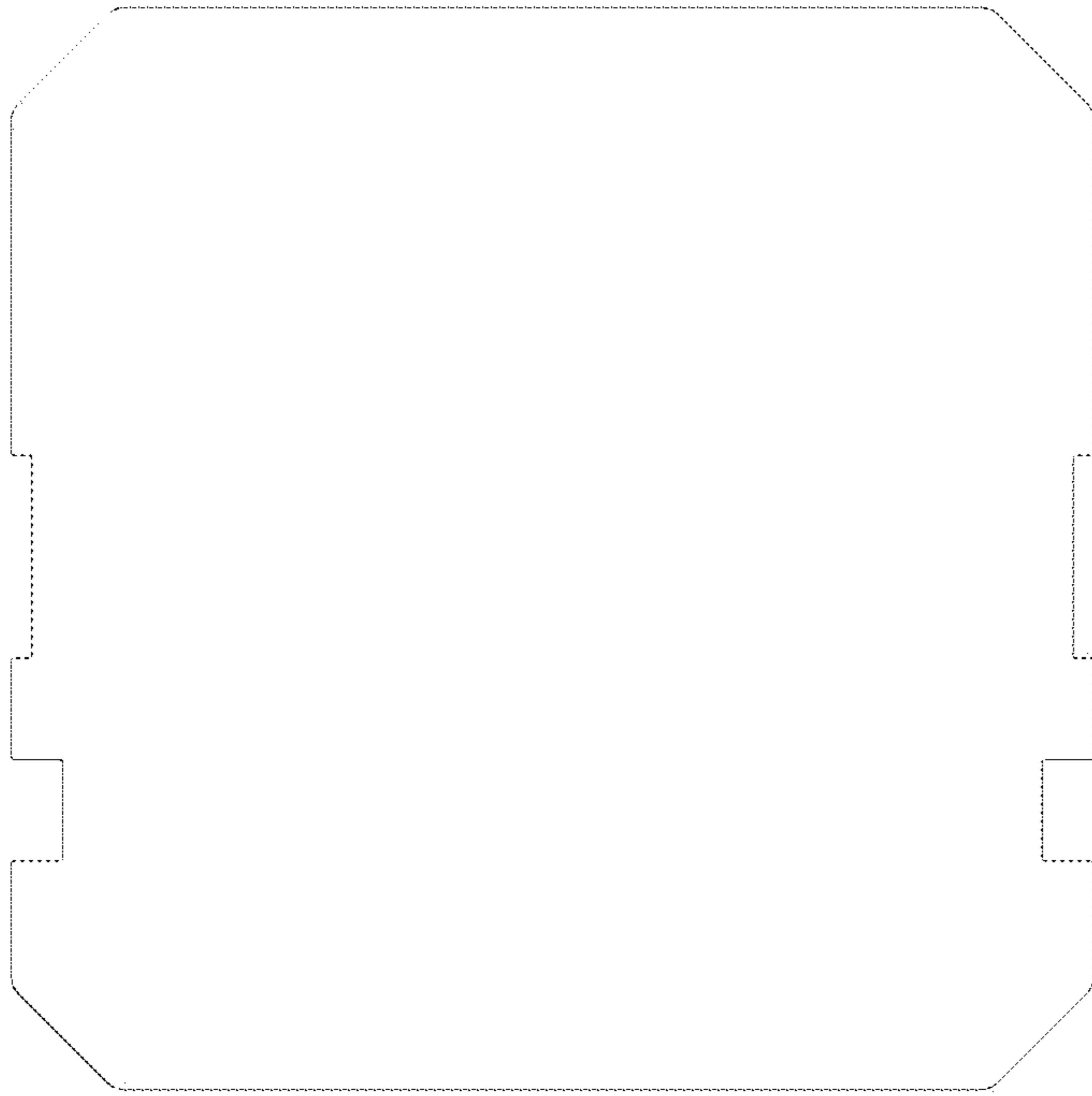


FIG - 8

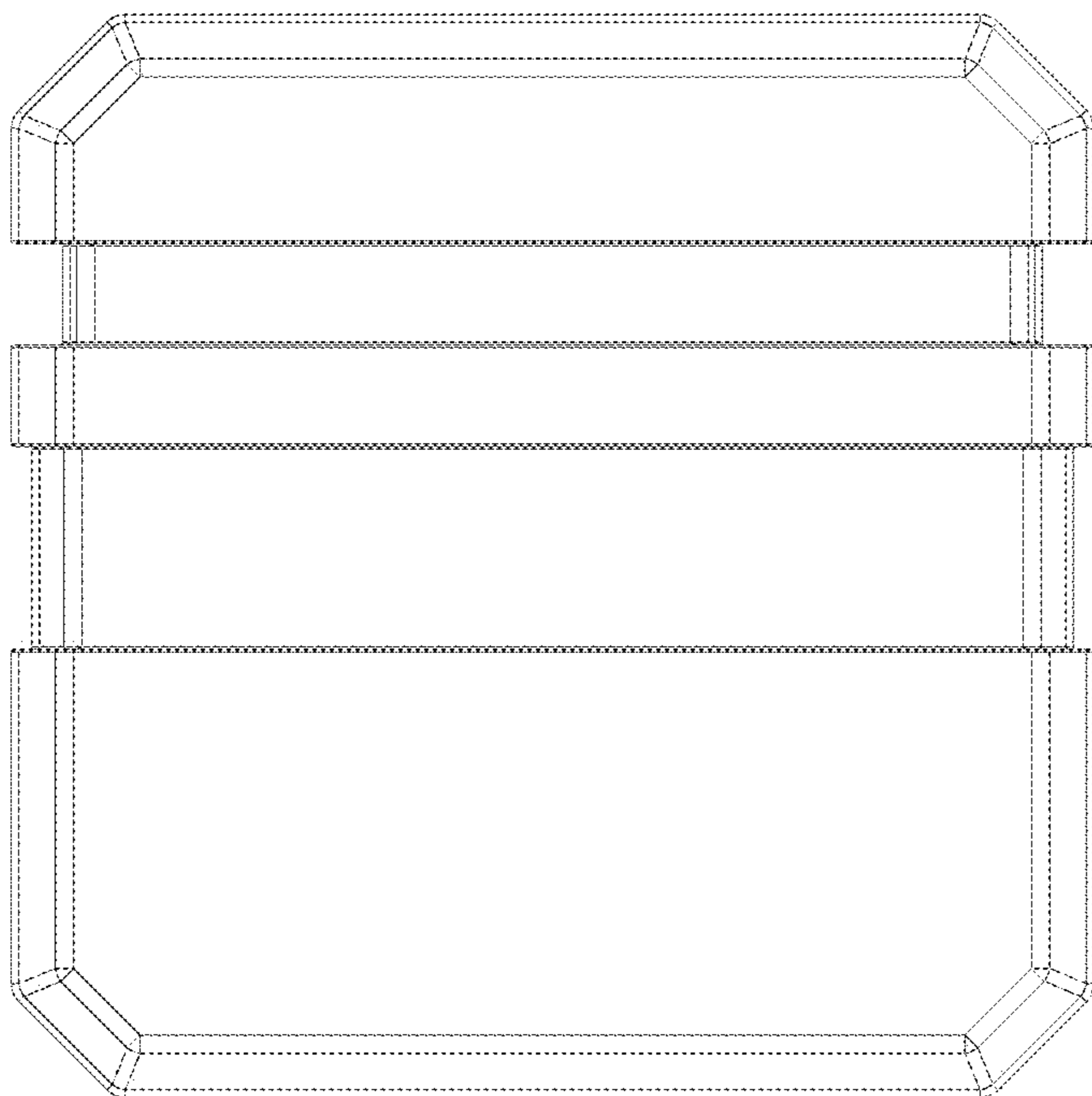


FIG - 7