

US00D978293S

(12) **United States Design Patent** (10) **Patent No.:** **US D978,293 S**  
**Yan** (45) **Date of Patent:** **\*\* Feb. 14, 2023**

(54) **FAUCET SET**

D961,051 S \* 8/2022 Zeng ..... D23/241  
D961,053 S \* 8/2022 Zhu ..... D23/242  
D965,111 S \* 9/2022 Kulig ..... D23/242

(71) Applicant: **Meihua Yan**, Hong Kong (CN)

(72) Inventor: **Meihua Yan**, Hong Kong (CN)

(\*\*) Term: **15 Years**

FOREIGN PATENT DOCUMENTS

CA 166280 \* 3/2017  
CN 304953123 \* 12/2018  
IN 249374-0001 \* 3/2014  
WO D093856-021 \* 6/2017

(21) Appl. No.: **29/785,806**

(22) Filed: **May 27, 2021**

OTHER PUBLICATIONS

(51) **LOC (14) Cl.** ..... **23-01**

KES Bathroom Sink Faucet , first available Apr. 22, 2021[online],  
[site visited Jul. 25, 2022]. Available from internet. URL:<https://  
www.amazon.com/dp/B0936S8NN2/?th=1> (Year: 2021).\*

(52) **U.S. Cl.**

USPC ..... **D23/242**

(58) **Field of Classification Search**

USPC ..... D23/238-244, 252, 254-255, 257, 499;  
D7/398

CPC .... F16K 31/602; F16K 31/605; F16K 31/607;  
E03C 1/0412

See application file for complete search history.

(Continued)

*Primary Examiner* — David G Muller

*Assistant Examiner* — Jamaal Rasheed

(74) *Attorney, Agent, or Firm* — ScienBiziP, P.C.

(56) **References Cited**

(57) **CLAIM**

The ornamental design for a faucet set, as shown and described.

U.S. PATENT DOCUMENTS

DESCRIPTION

D517,655 S *	3/2006	Ogata	.....	D23/241
D602,570 S *	10/2009	Lammel	.....	D23/242
D767,727 S *	9/2016	Eads	.....	D23/242
D797,246 S *	9/2017	Downey	.....	D23/242
D809,630 S *	2/2018	Schoenherr	.....	D23/242
D811,536 S *	2/2018	Schoenherr	.....	D23/242
D828,506 S *	9/2018	Schoenherr	.....	D23/238
D828,507 S *	9/2018	Schoenherr	.....	D23/238
D848,575 S *	5/2019	Garland	.....	D23/242
D856,490 S *	8/2019	Seum	.....	D23/242
D861,136 S *	9/2019	Diefenbach	.....	D23/242
D868,215 S *	11/2019	Chen	.....	D23/242
D883,442 S *	5/2020	Massaud	.....	D23/242
D898,872 S *	10/2020	Massaud	.....	D23/242
D916,500 S *	4/2021	Johnson	.....	D6/542
D924,369 S *	7/2021	Zeng	.....	D23/242
D944,365 S *	2/2022	Lazarini	.....	D23/242

FIG. 1 is a front, right, and top perspective view of a faucet set, showing my design.

FIG. 2 is a front elevation view thereof.

FIG. 3 is a rear elevation view thereof.

FIG. 4 is a left side elevation view thereof.

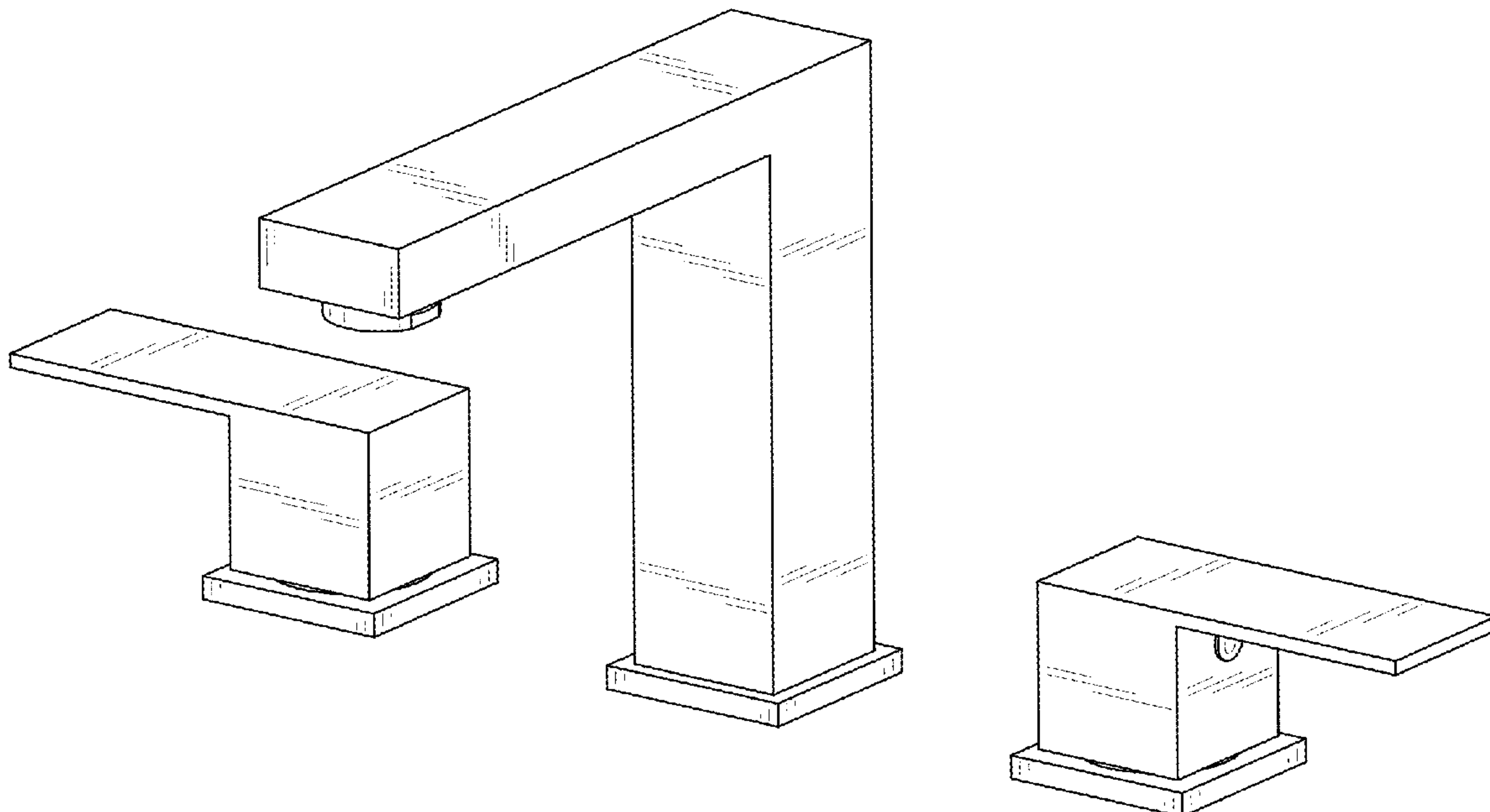
FIG. 5 is a right side elevation view thereof.

FIG. 6 is a top plan view thereof; and,

FIG. 7 is a bottom plan view thereof.

The broken lines shown in the drawings are included for the purpose of illustrating portions of the faucet set that form no part of the claimed design.

**1 Claim, 7 Drawing Sheets**



(56)

**References Cited**

OTHER PUBLICATIONS

KENES Black Widespread Bathroom Faucet , first available Oct. 12, 2021 [online], [site visited Jul. 21, 2022], Available from internet, URL:< <https://www.amazon.com/dp/B09J83CJR7>> (Year: 2021).\*

VCCUCINE Modern 2 Handle 3 Holes Solid Brass Matte Black Lavatory Vanity Sink Widespread Bathroom Faucet, Date first available Dec. 5, 2019[online], [site visited Jul. 23, 2022]. Available from internet, URL:< <https://www.amazon.com/VCCUCINE-Modern-Lavatory-Widespread-Bathroom/dp/B082CCRR43>> (Year: 2019).\*

\* cited by examiner

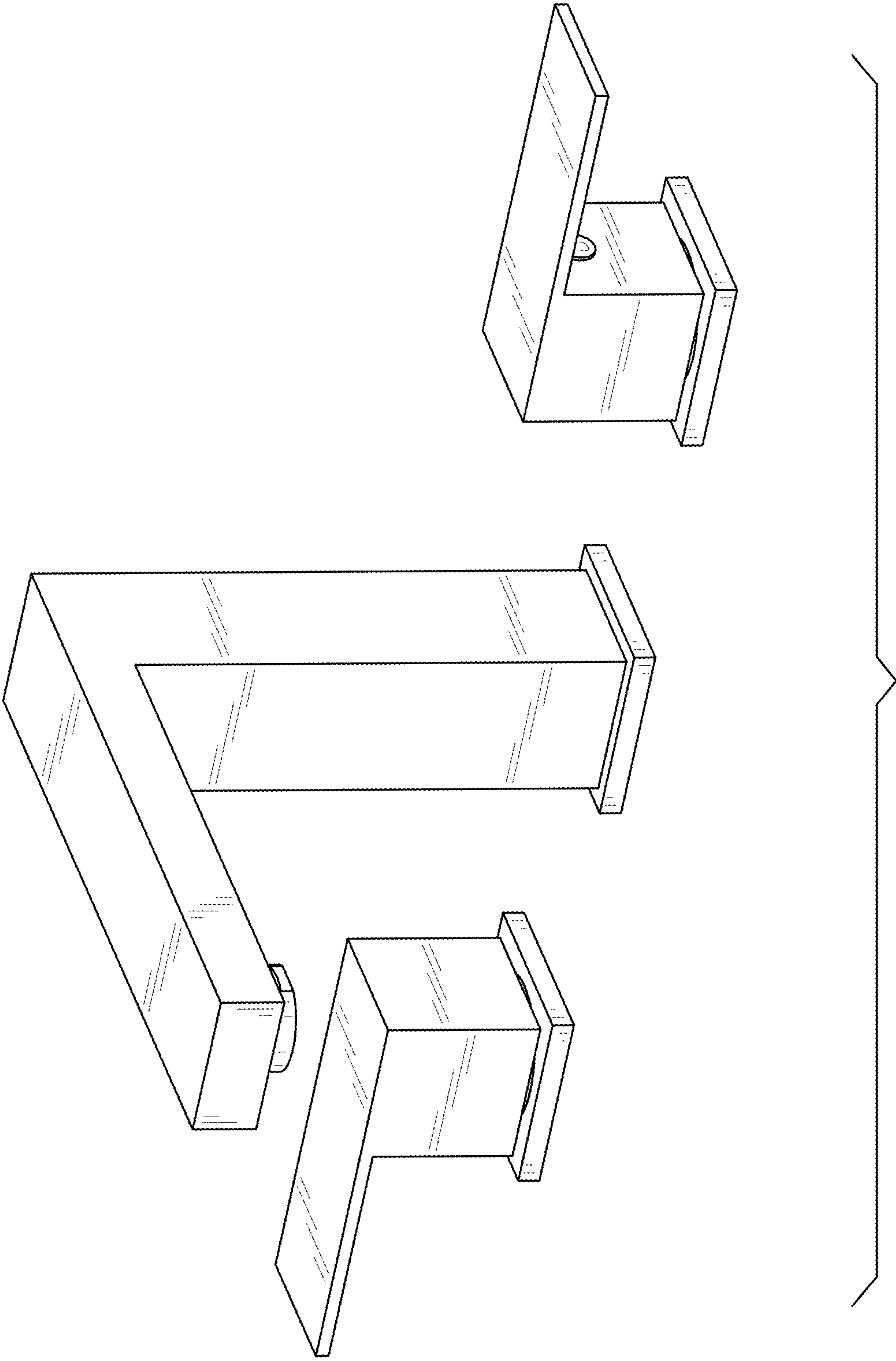
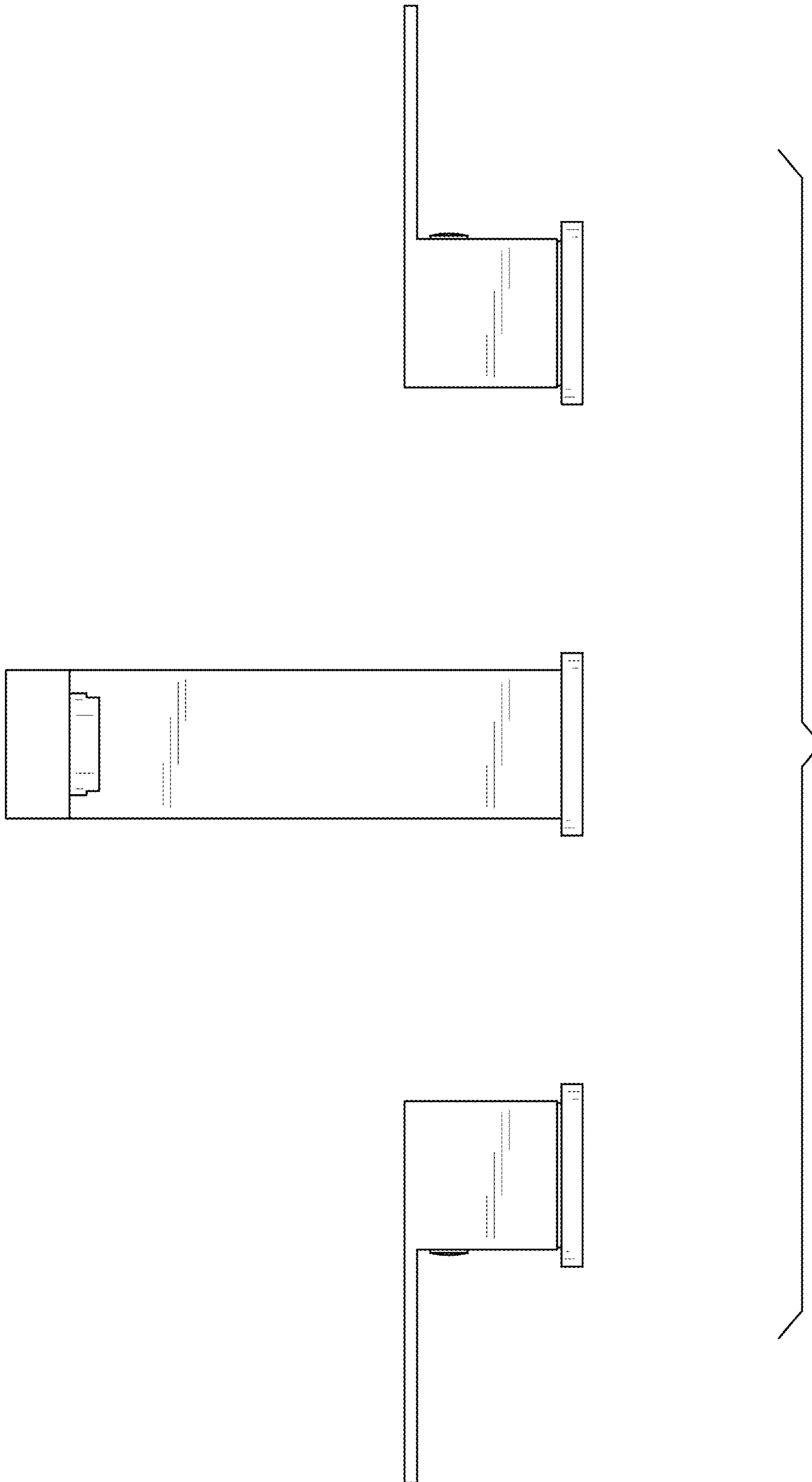
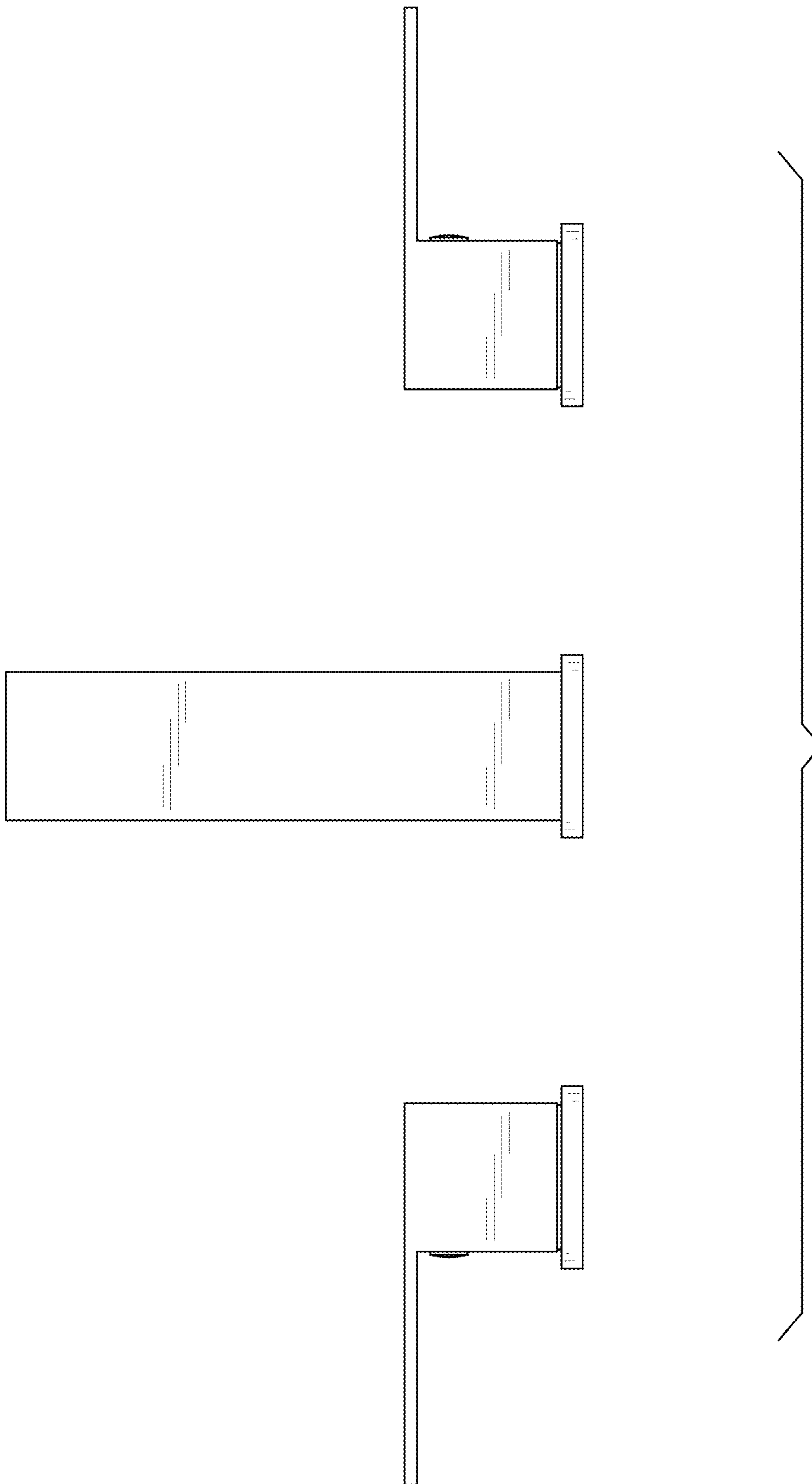


FIG. 1





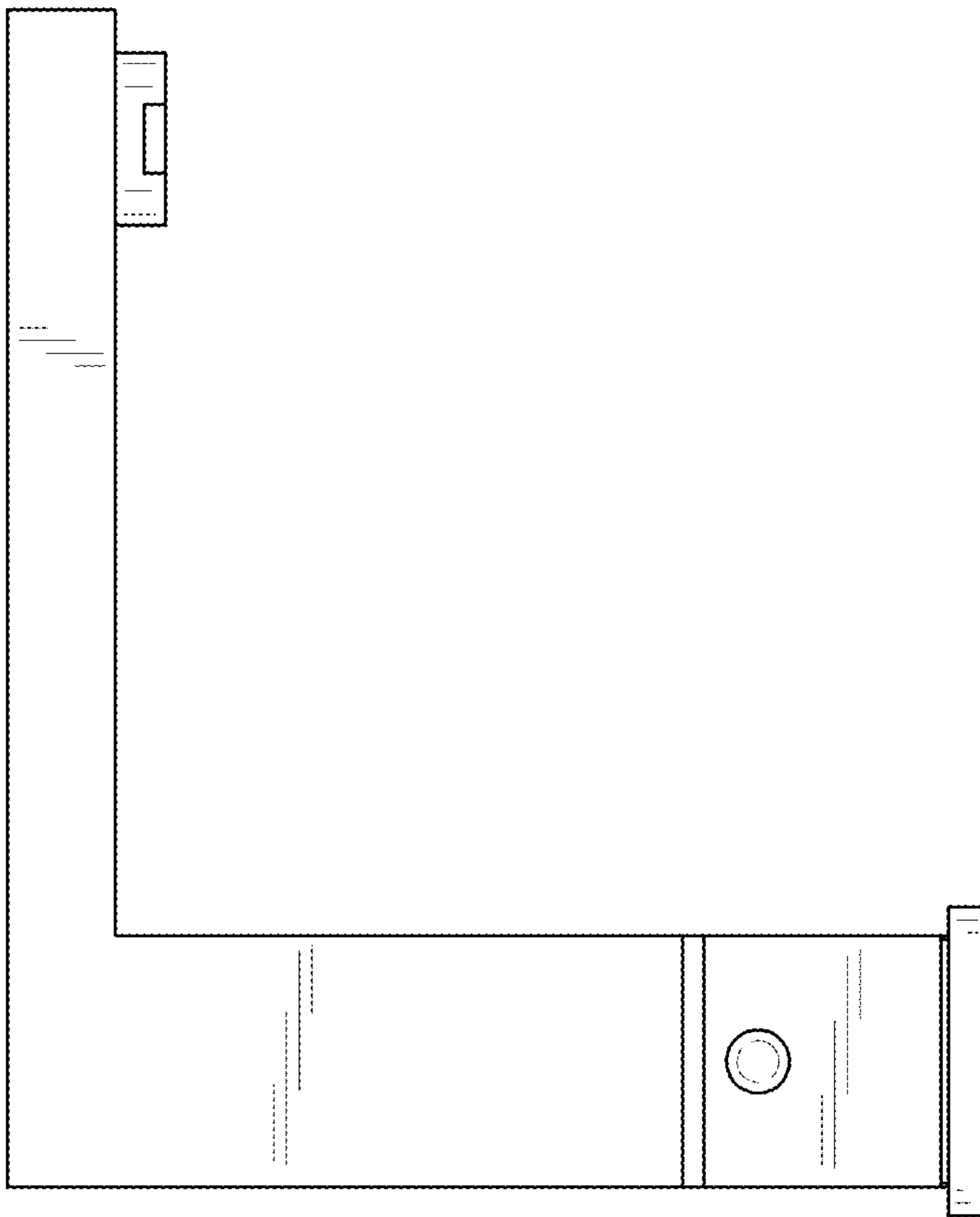


FIG. 4

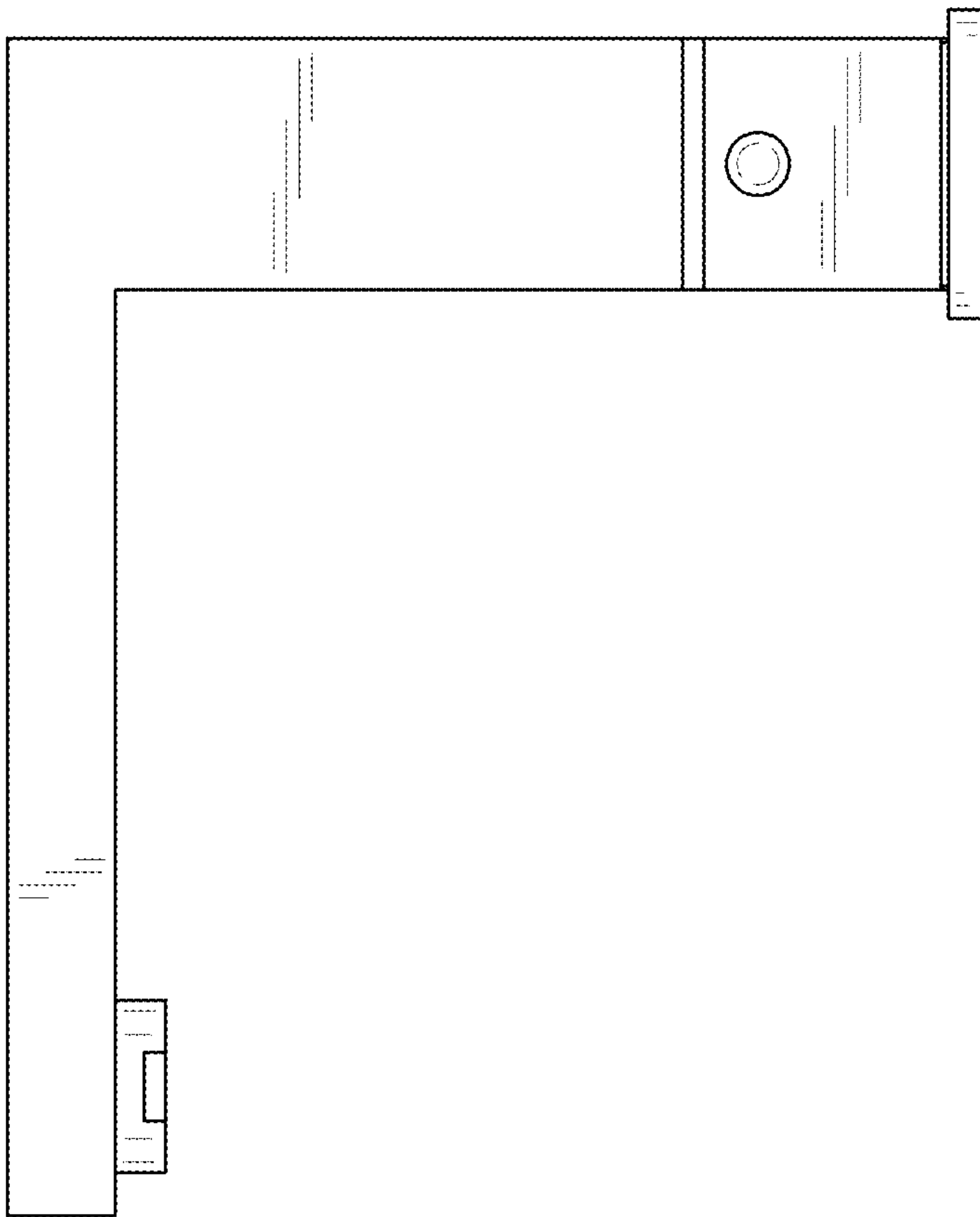


FIG. 5

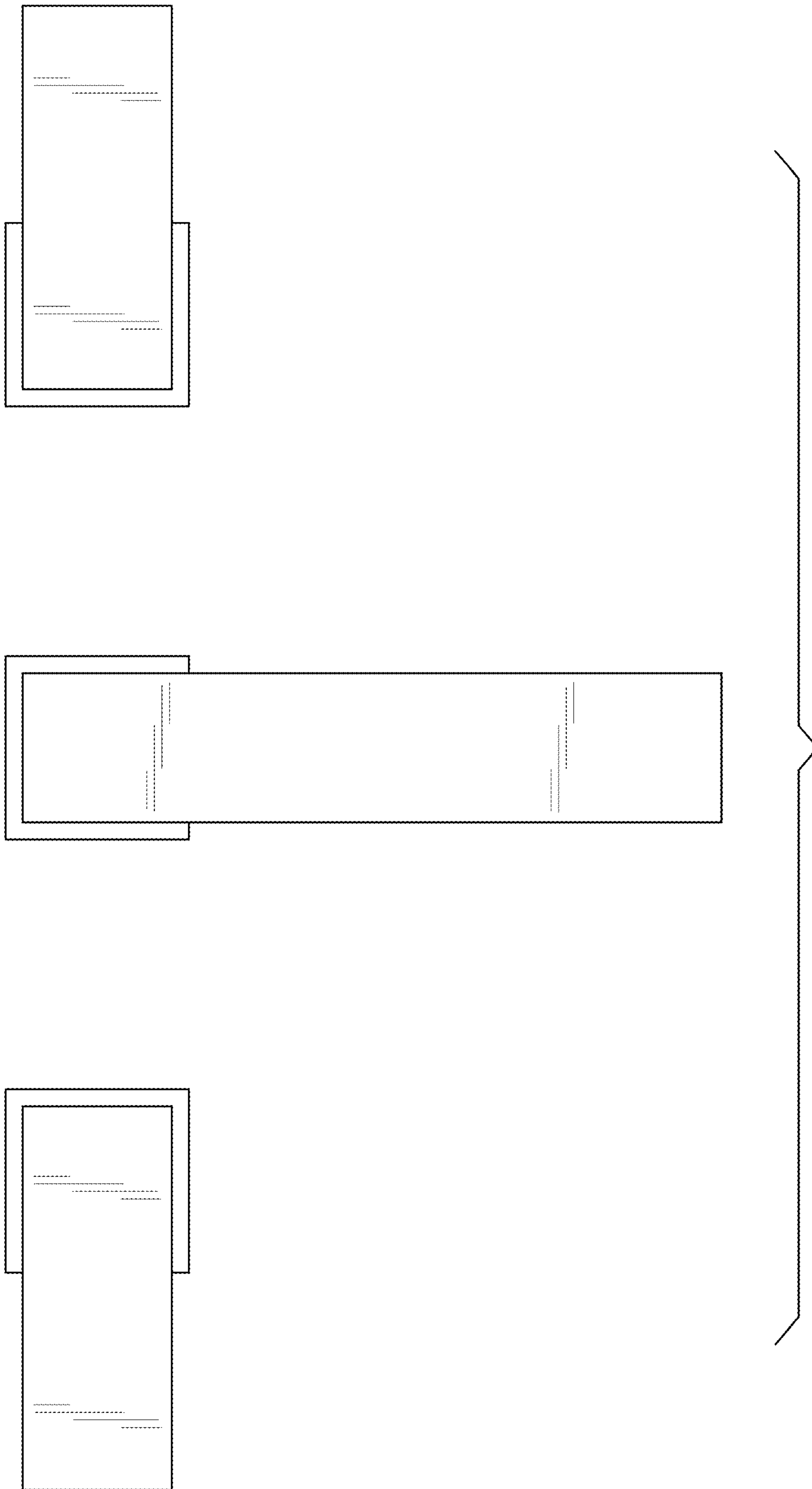


FIG. 6



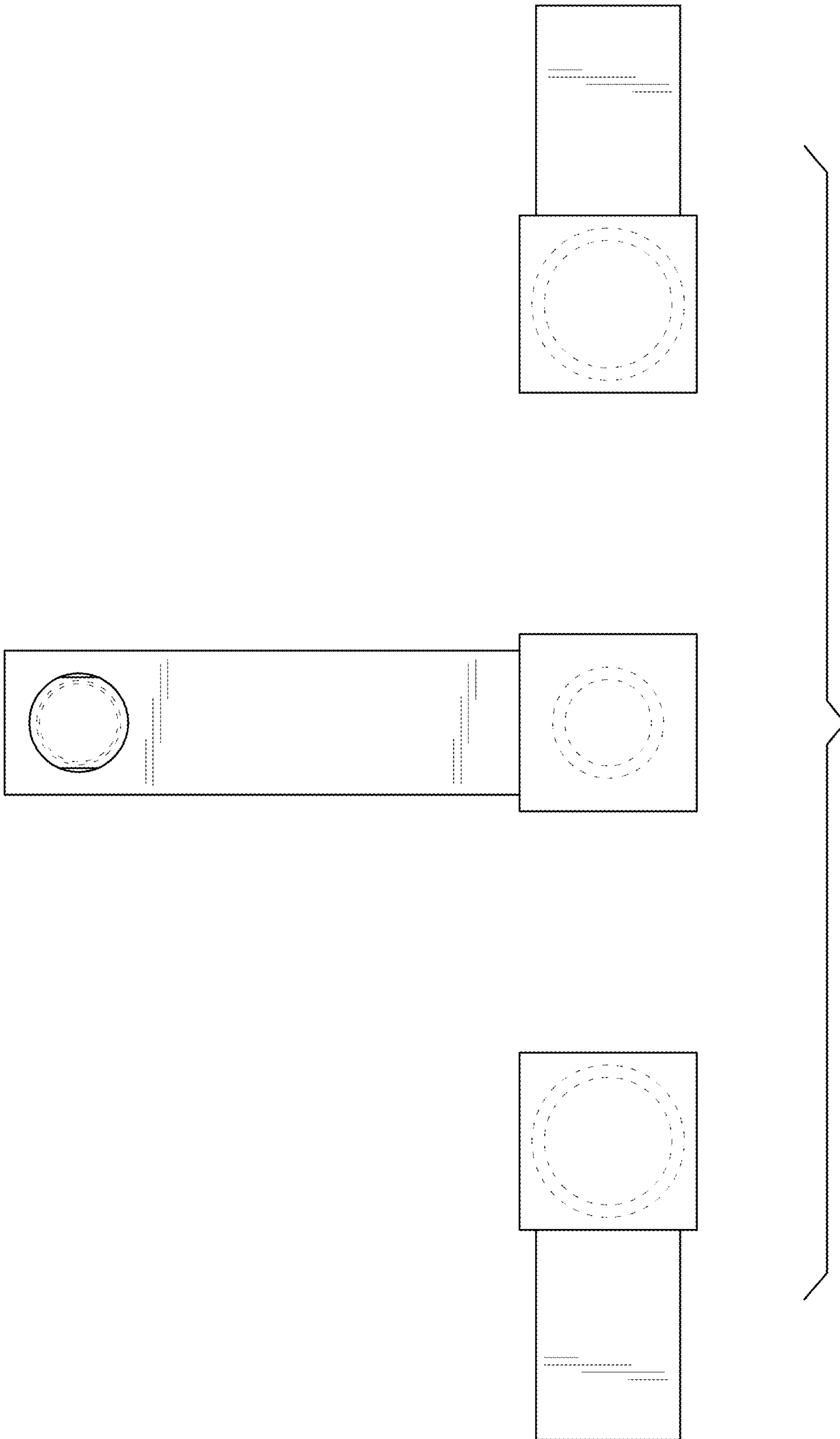


FIG. 7